



US00D376866S

United States Patent [19]

Scott

[11] **Patent Number:** **Des. 376,866**

[45] **Date of Patent:** ****Dec. 24, 1996**

[54] **MOTION PICTURE LIGHT COVER**

[76] Inventor: **Robert S. Scott**, 14319 Tilden Rd.,
Winter Garden, Fla. 34787

[**] Term: **14 Years**

[21] Appl. No.: **38,018**

[22] Filed: **Apr. 26, 1995**

[52] U.S. Cl. **D26/119**

[58] Field of Search D26/118, 119,
D26/139; 362/359; 150/154, 157, 158,
166, 167; D12/401

[56] **References Cited**

U.S. PATENT DOCUMENTS

1,123,609	1/1915	Spesha	150/154
1,409,666	3/1922	Calise	150/166
1,736,383	11/1929	Waggoner	150/154
2,702,602	2/1955	Jenswold	150/154 X

FOREIGN PATENT DOCUMENTS

0340341	1/1931	United Kingdom	150/154
---------	--------	----------------------	---------

Primary Examiner—Susan J. Lucas
Attorney, Agent, or Firm—William M. Hobby, III

[57] **CLAIM**

The ornamental design for a motion picture light cover design, as shown.

DESCRIPTION

FIG. 1 is a top front perspective view of my new motion picture light cover shown on a motion picture light;

FIG. 2 is a top plan view;

FIG. 3 is a bottom plan view;

FIG. 4 is a left side elevation;

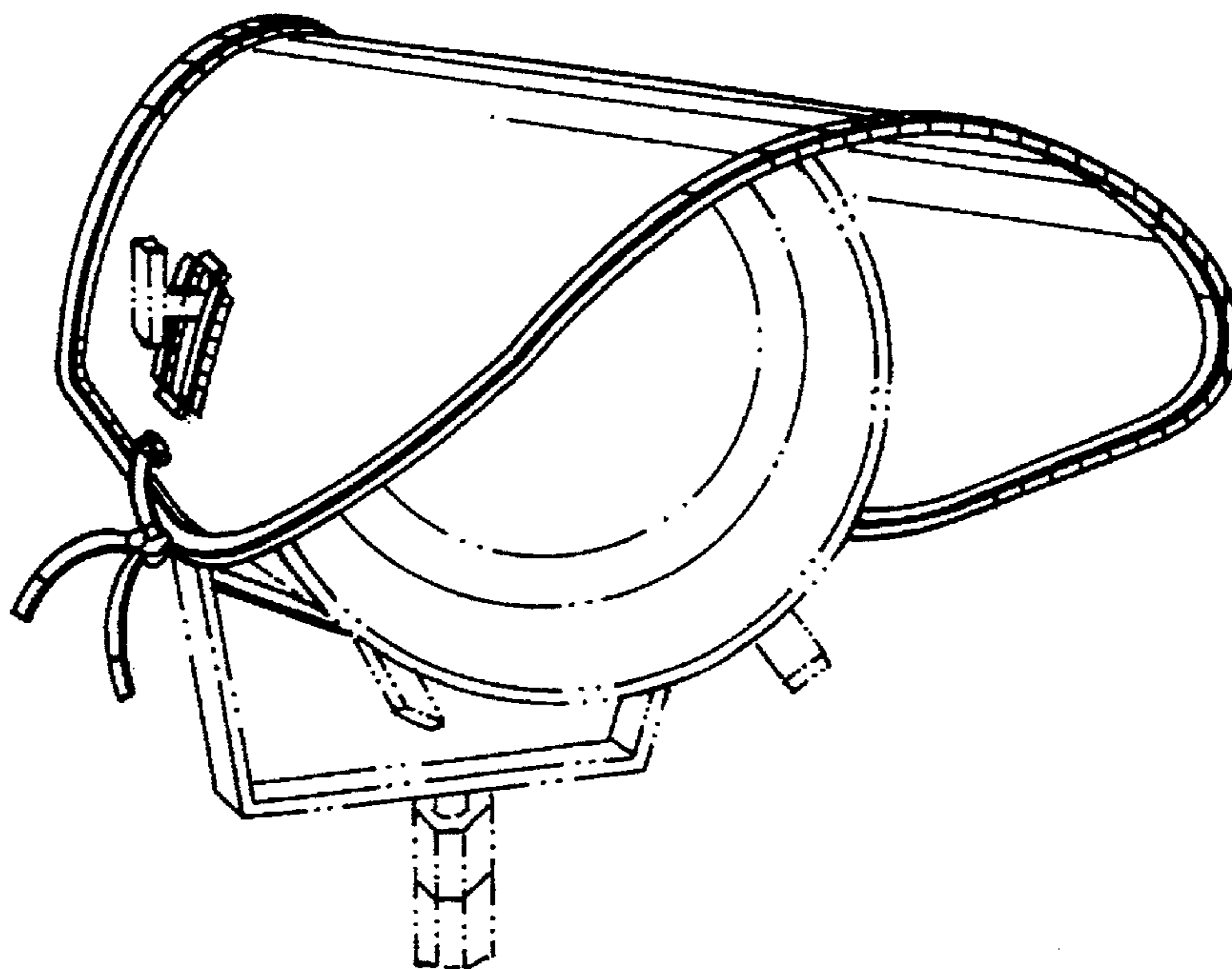
FIG. 5 is a front end elevation;

FIG. 6 is a right side elevation; and,

FIG. 7 is a rear end elevation.

The light is shown in broken lines for illustrative purposes only and forms no part of the claimed design.

1 Claim, 1 Drawing Sheet



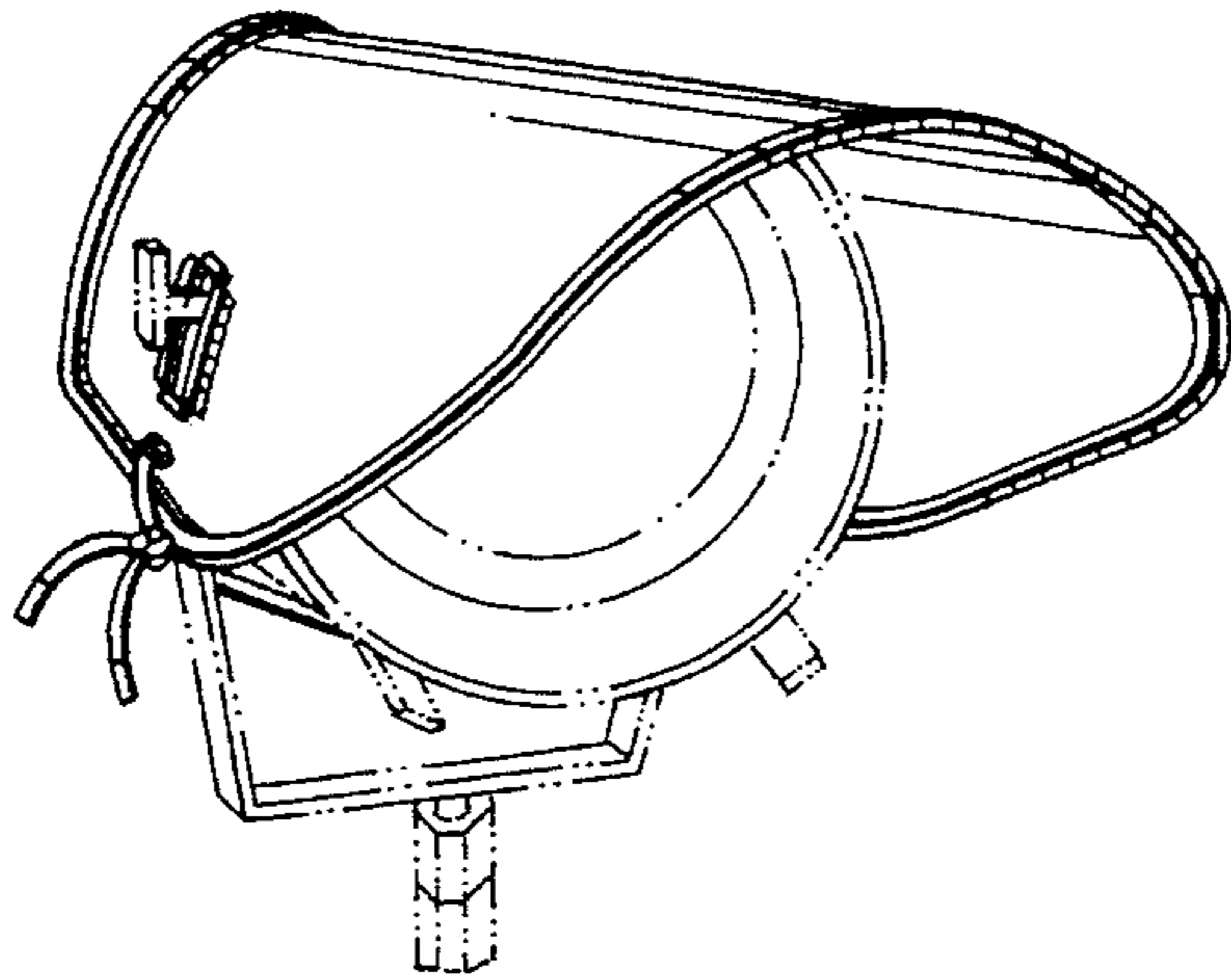


FIG. 1

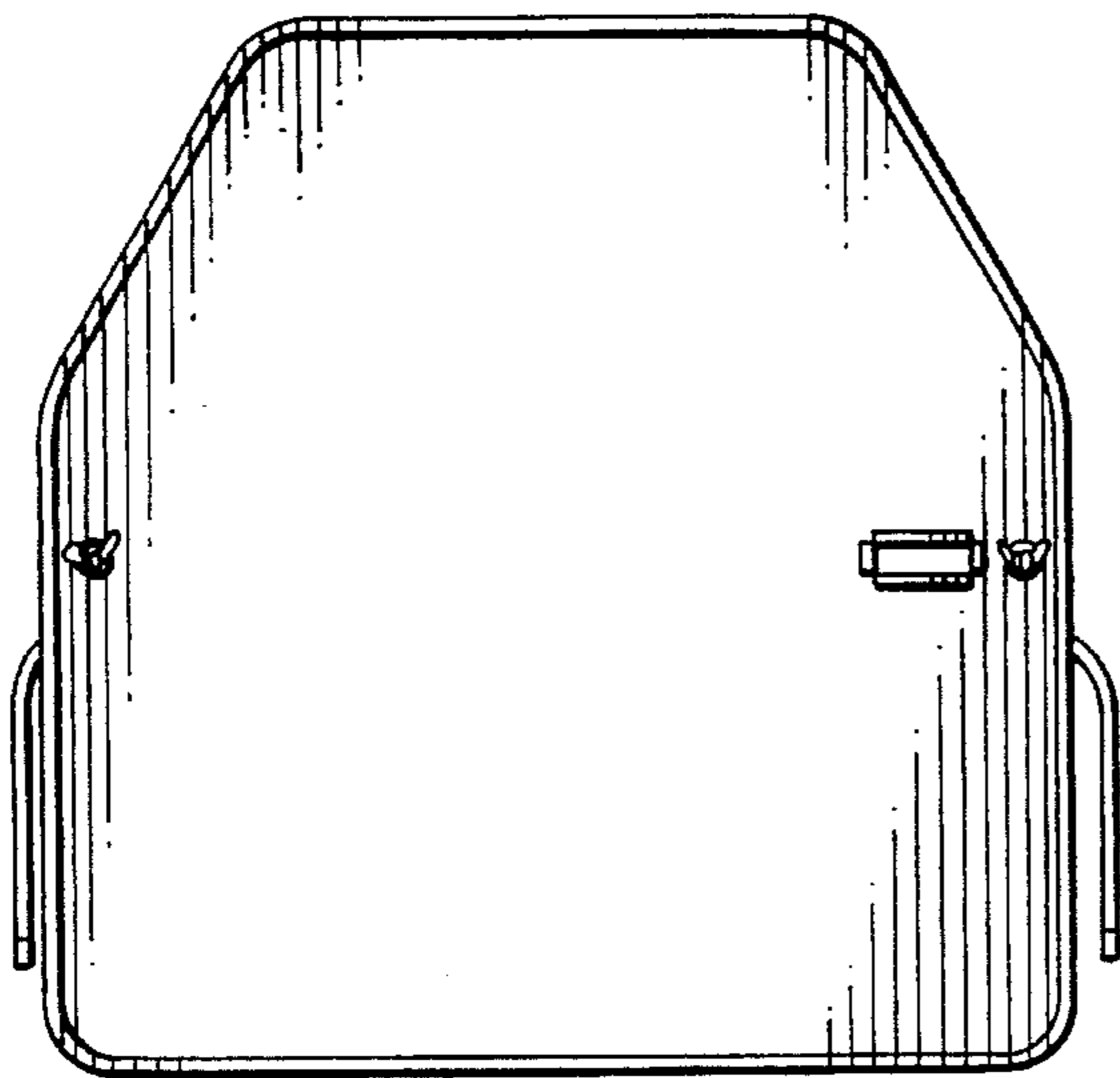


FIG. 3

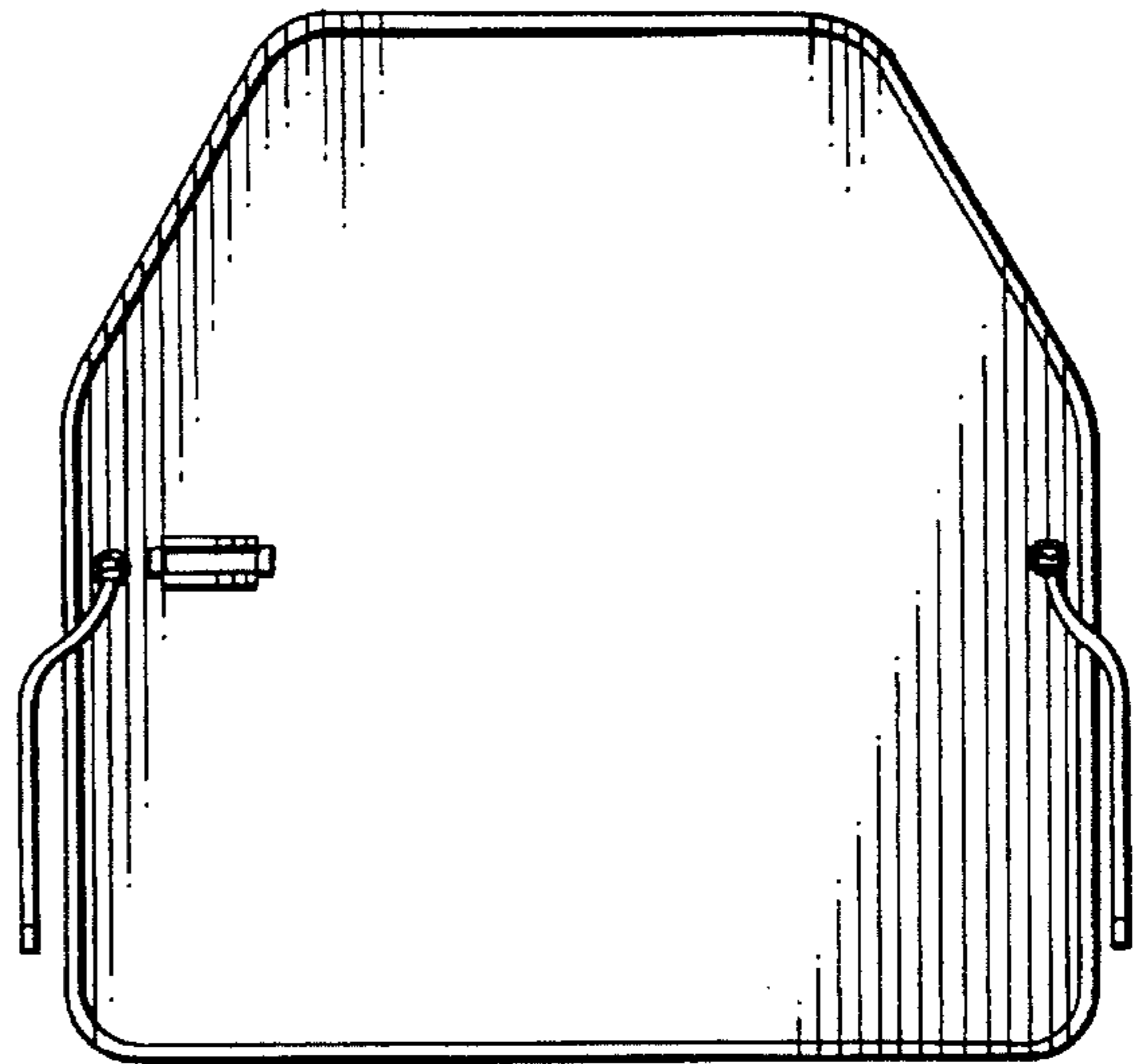


FIG. 2



FIG. 4



FIG. 5



FIG. 6



FIG. 7