



US00D376863S

United States Patent [19]
Yuen

[11] **Patent Number: Des. 376,863**
[45] **Date of Patent: **Dec. 24, 1996**

[54] **WEATHER PROOF LANTERN**
[75] Inventor: **Se Kit Yuen**, Kowloon, Hong Kong
[73] Assignee: **John Manufacturing Limited**,
Kowloon, Hong Kong
[**] Term: **14 Years**

D. 296,828 7/1988 Byrns D26/48
D. 337,840 7/1993 Ekeroth D26/44
3,124,306 3/1964 Schotz D26/49

Primary Examiner—Marcus A. Jackson
Attorney, Agent, or Firm—Merchant, Gould, Smith, Edell,
Welter & Schmidt, P.A.

[21] Appl. No.: **47,333**
[22] Filed: **Dec. 1, 1995**
[30] **Foreign Application Priority Data**

[57] **CLAIM**

The ornamental design for a weather proof lantern, as shown and described.

Jul. 24, 1995 [GB] United Kingdom 2049027
[52] **U.S. Cl.** **D26/48**
[58] **Field of Search** D26/37-50; 362/157,
362/158, 183-191, 194-205

DESCRIPTION

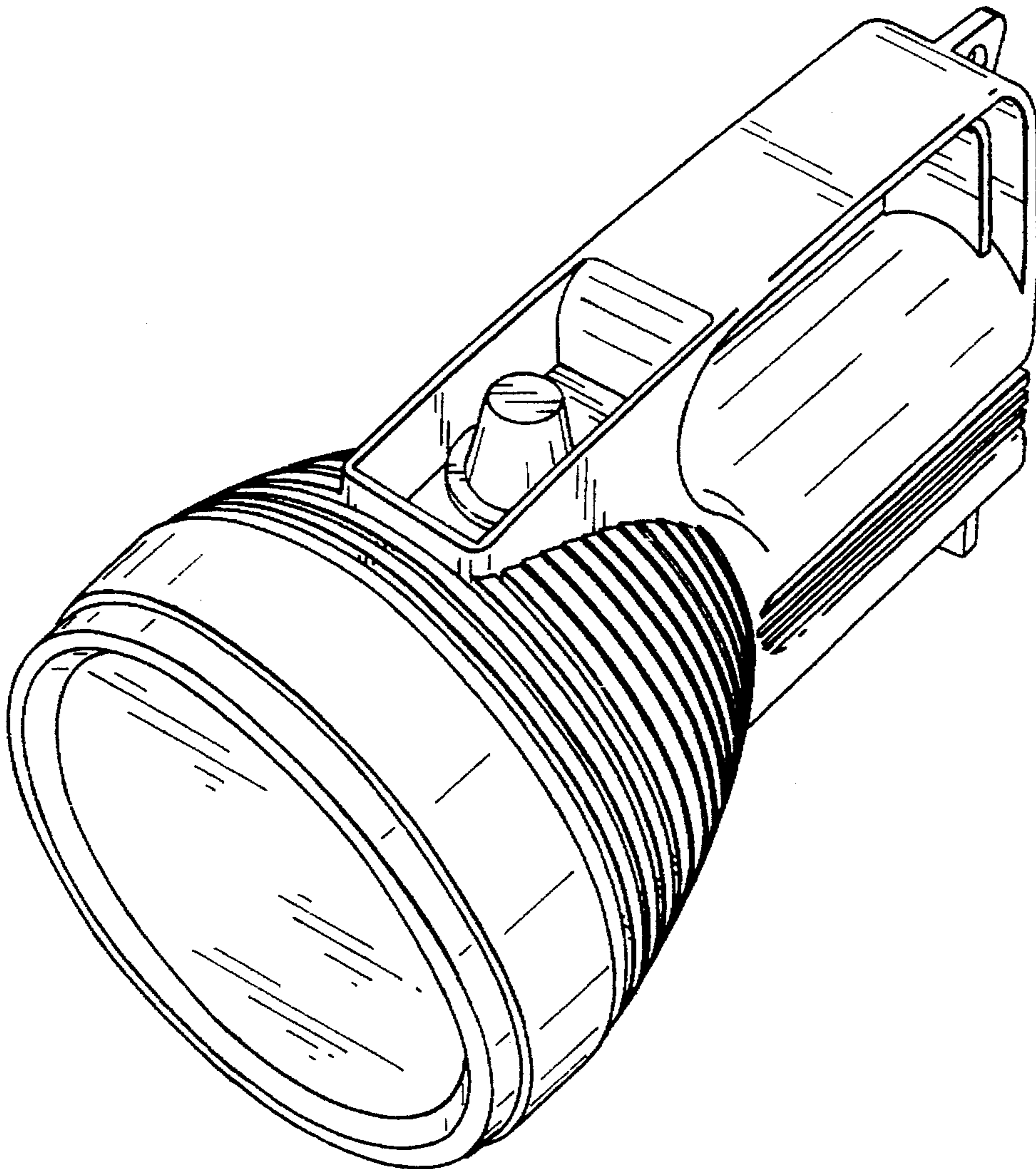
FIG. 1 is a perspective view of a weather proof lantern showing my new design;
FIG. 2 is an enlarged front elevational view thereof;
FIG. 3 is a rear elevational view thereof;
FIG. 4 is a top plan view thereof;
FIG. 5 is a bottom plan view thereof; and,
FIG. 6 is a right side elevational view thereof; the left side elevational view not shown as it is substantially the same as the right side elevational view.

[56] **References Cited**

U.S. PATENT DOCUMENTS

D. 256,278 8/1980 Wong et al. D26/48
D. 284,309 6/1986 Schosser et al. D26/48
D. 285,976 9/1986 Yuen D26/48

1 Claim, 5 Drawing Sheets



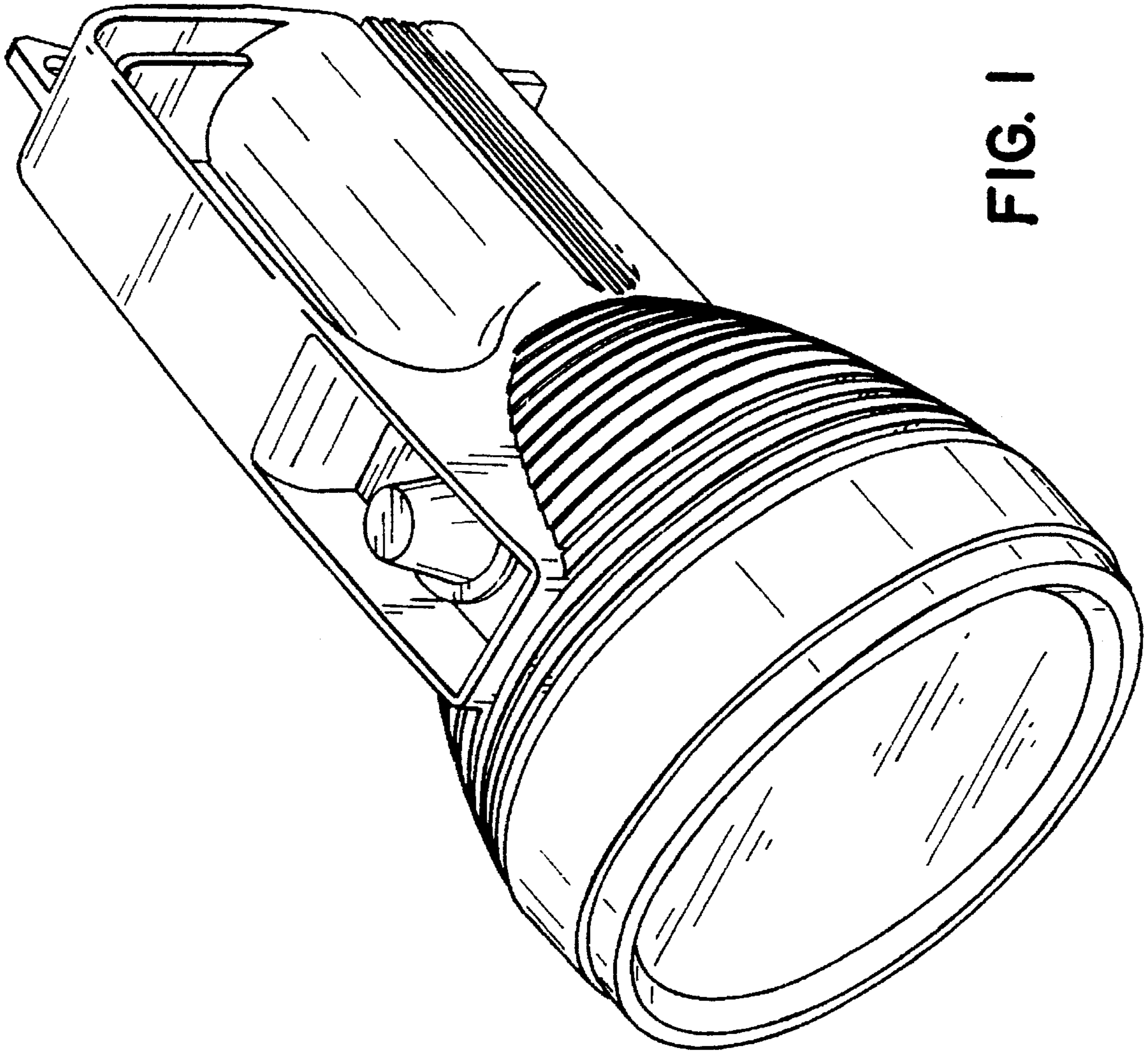


FIG. 1

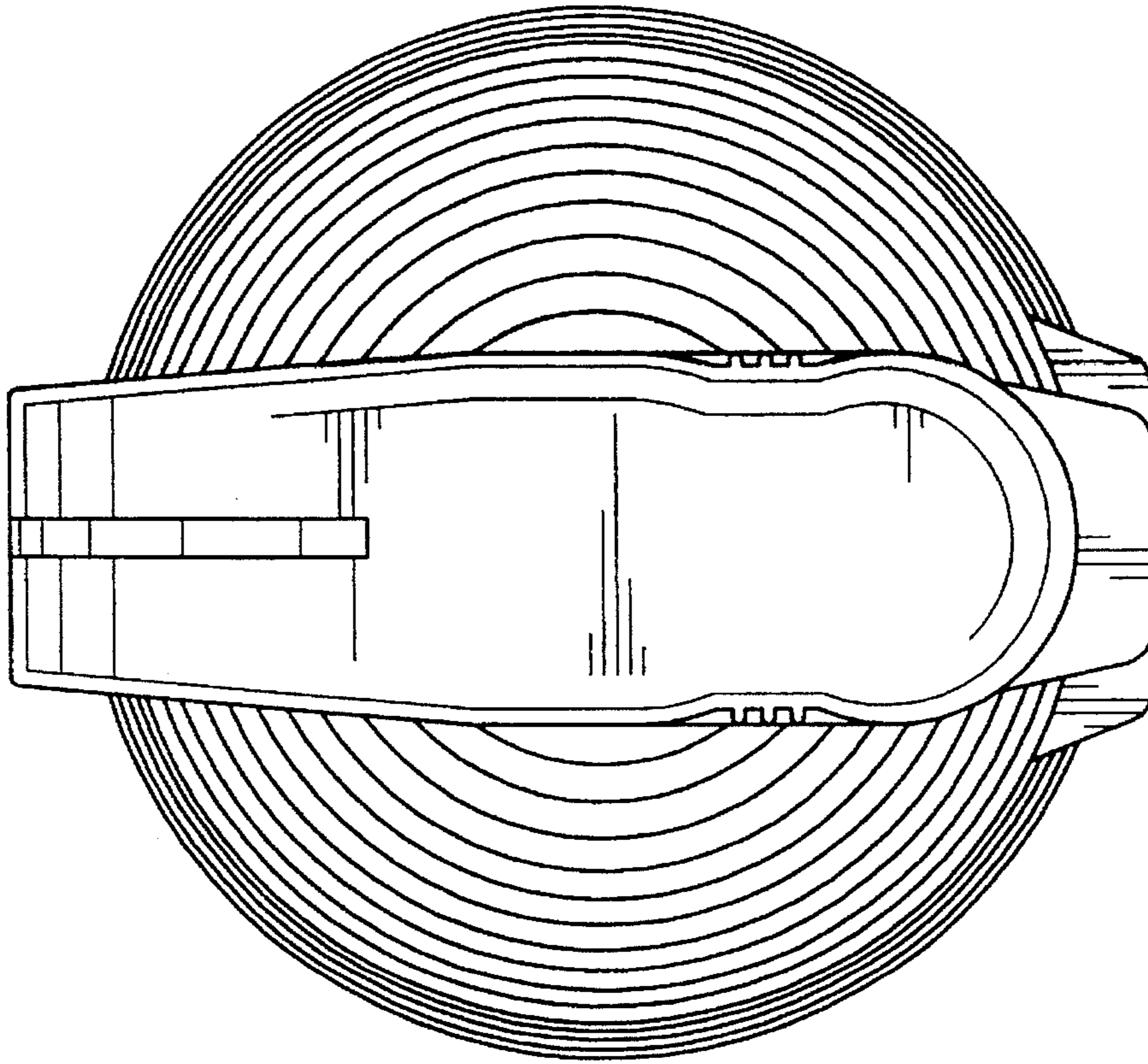


FIG. 3

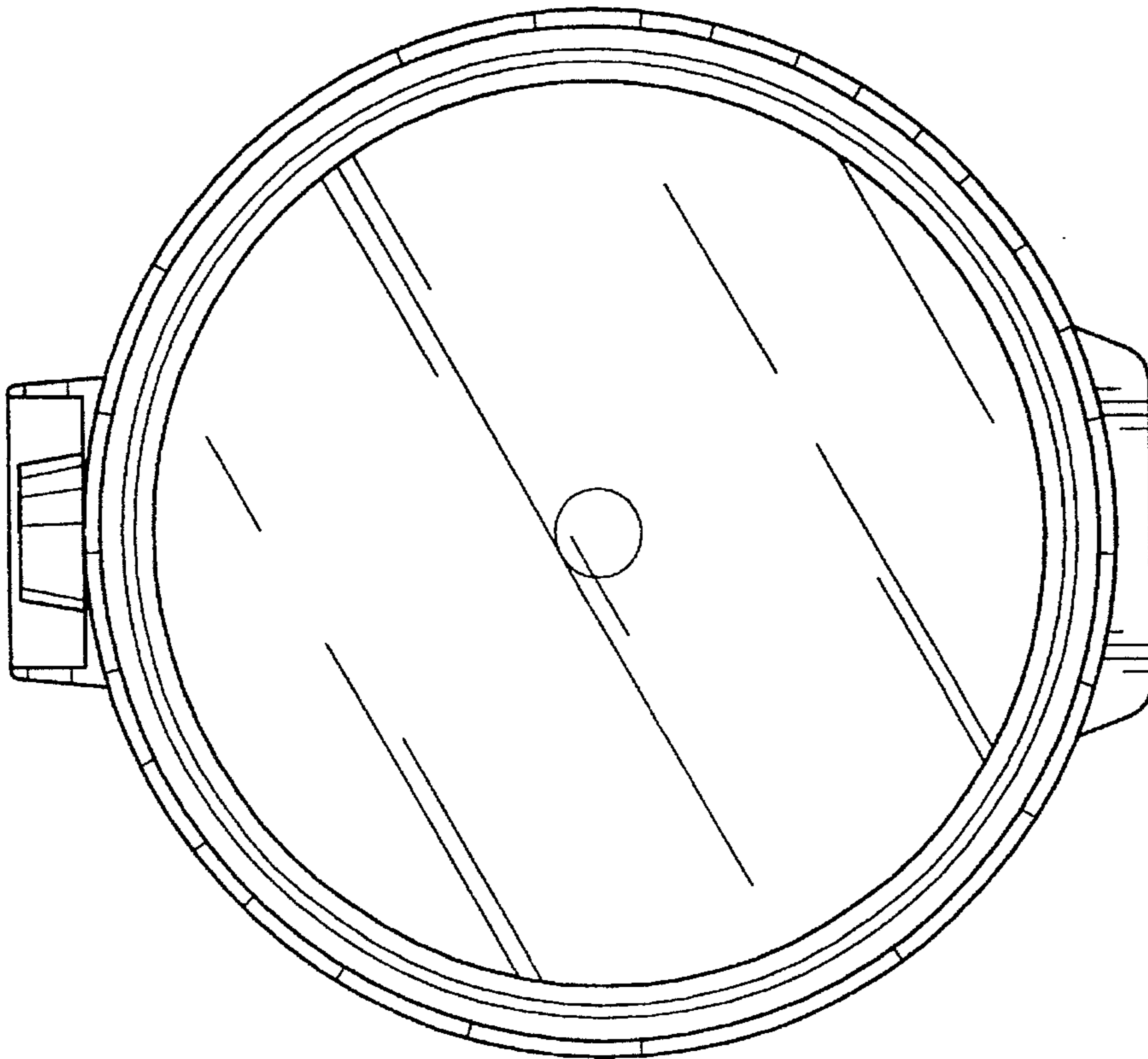


FIG. 2

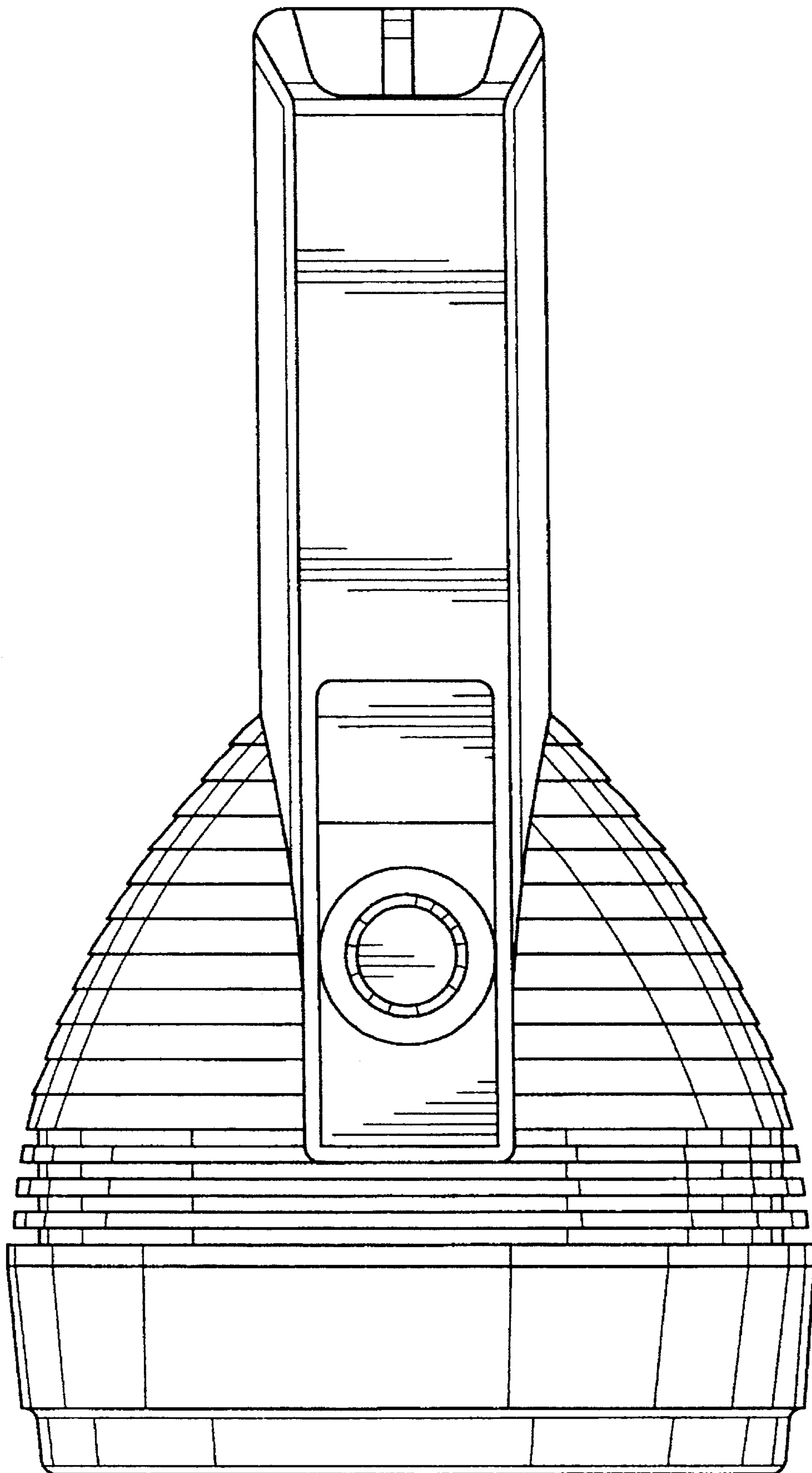


FIG. 4

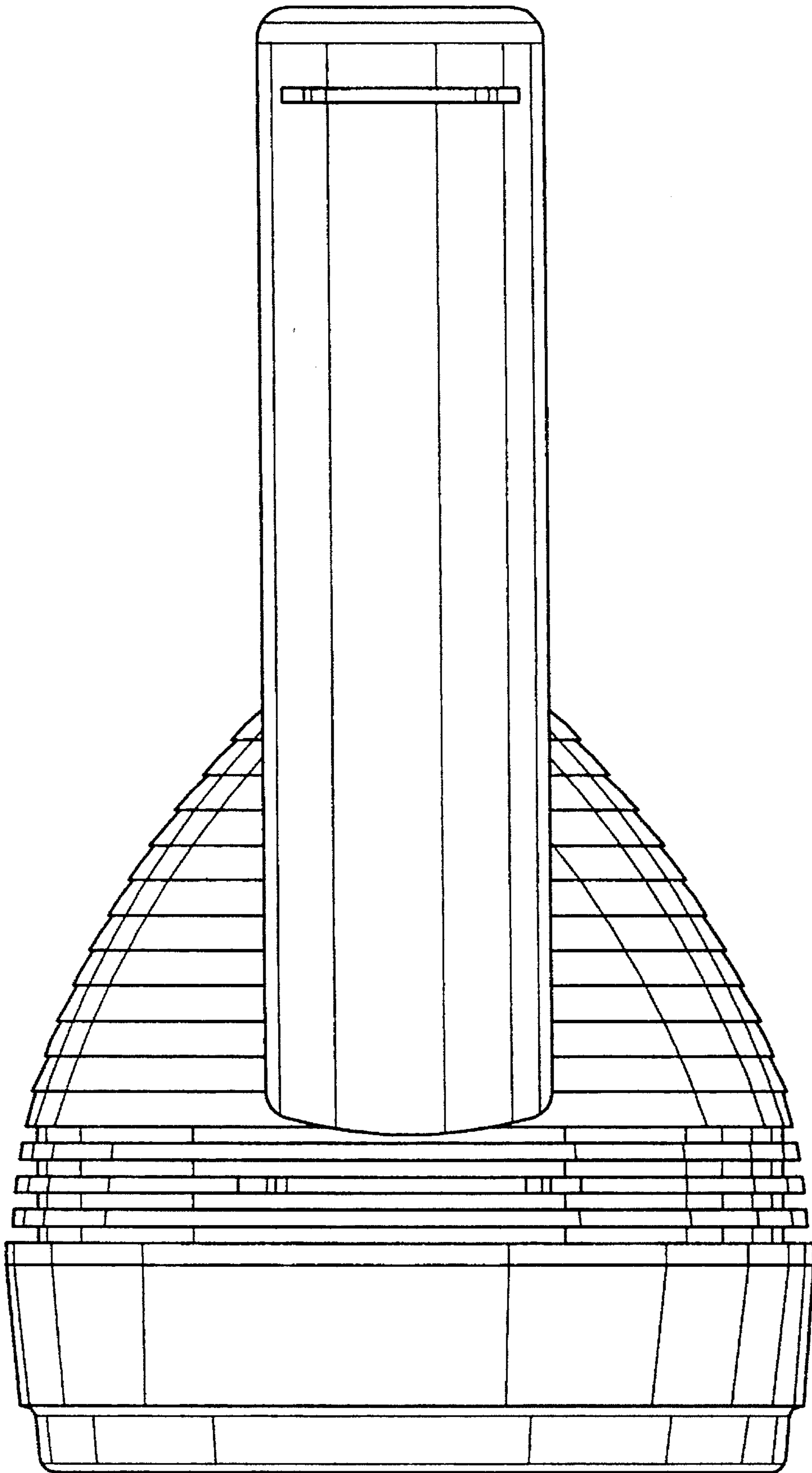


FIG. 5

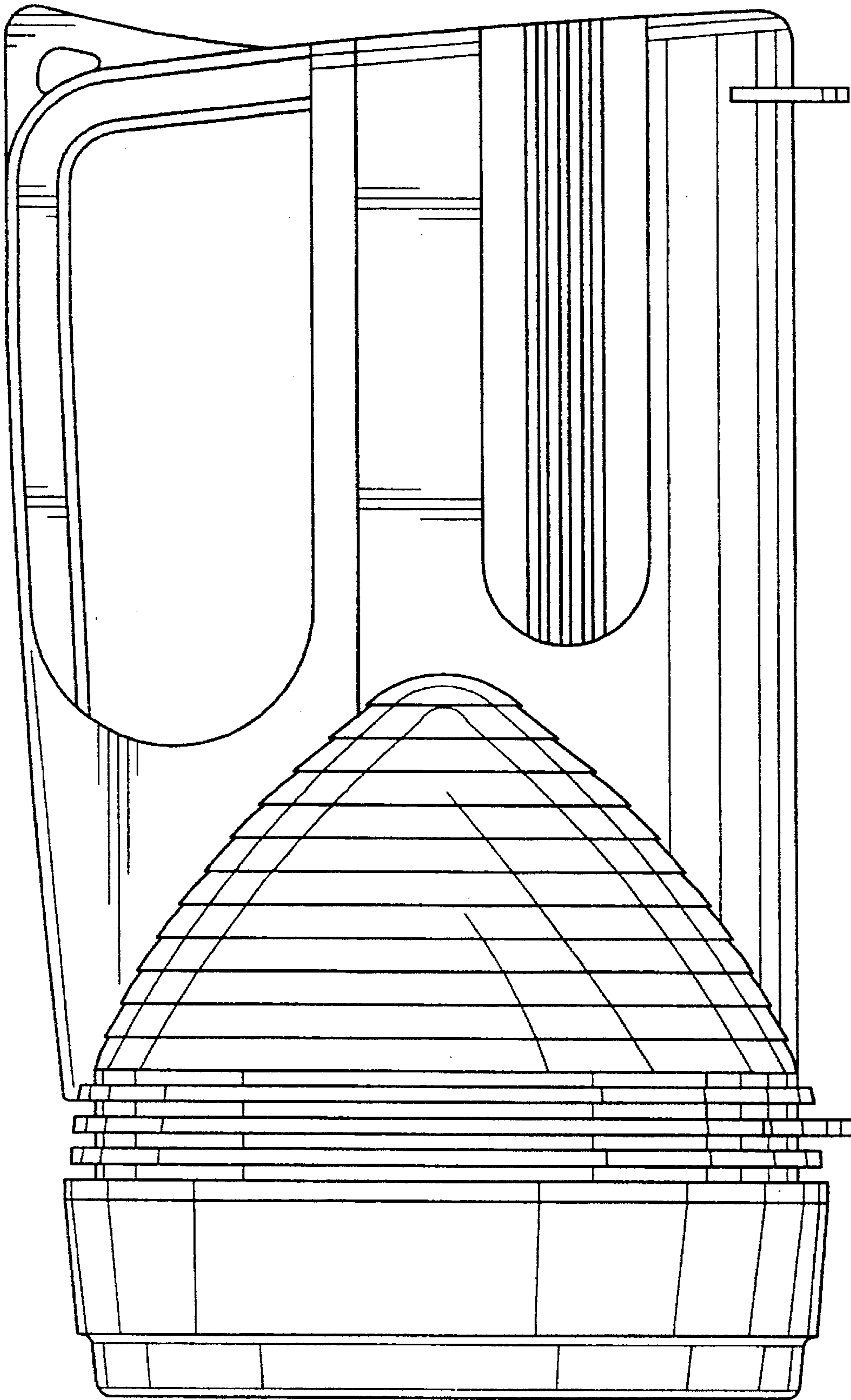


FIG. 6