



US00D376862S

# United States Patent [19]

## Carbone

[11] Patent Number: **Des. 376,862**

[45] Date of Patent: **\*\*Dec. 24, 1996**

[54] **HEAD FOR A FLASHLIGHT**

685937 8/1986 Japan ..... D26/43

[75] Inventor: **Richard J. Carbone**, Southbury, Conn.

### OTHER PUBLICATIONS

[73] Assignee: **Black & Decker Inc.**, Newark, Del.

Catalog page from International Consumer Brands, Inc. 1987, Model Rel-158.

[\*\*] Term: **14 Years**

*Primary Examiner*—A. Hugo Word  
*Assistant Examiner*—Lavone D. Tabor  
*Attorney, Agent, or Firm*—Barry E. Deutsch

[21] Appl. No.: **39,169**

[22] Filed: **May 22, 1995**

[52] U.S. Cl. .... **D26/43**

[58] Field of Search ..... D26/37, 43, 44,  
D26/46, 48, 49, 60, 62; 362/157, 158, 184,  
188, 189, 191, 198, 199, 200, 202, 362,  
396

### [57] CLAIM

The ornamental design for a head for a flashlight, as shown and described.

### [56] References Cited

#### U.S. PATENT DOCUMENTS

D. 147,258	8/1947	Becker	.....	D26/43
D. 166,073	3/1952	Dunkelberger	.....	D26/43
D. 272,476	1/1984	McCloskey et al.	.....	D26/46
D. 296,478	6/1988	Powell et al.	.....	D26/49
D. 314,246	1/1991	Bache	.....	D26/62
D. 315,609	3/1991	Garrity	.....	D26/49
3,111,277	11/1963	Grimsley	.....	D26/43 X
3,124,306	3/1964	Scholtz	.....	362/157

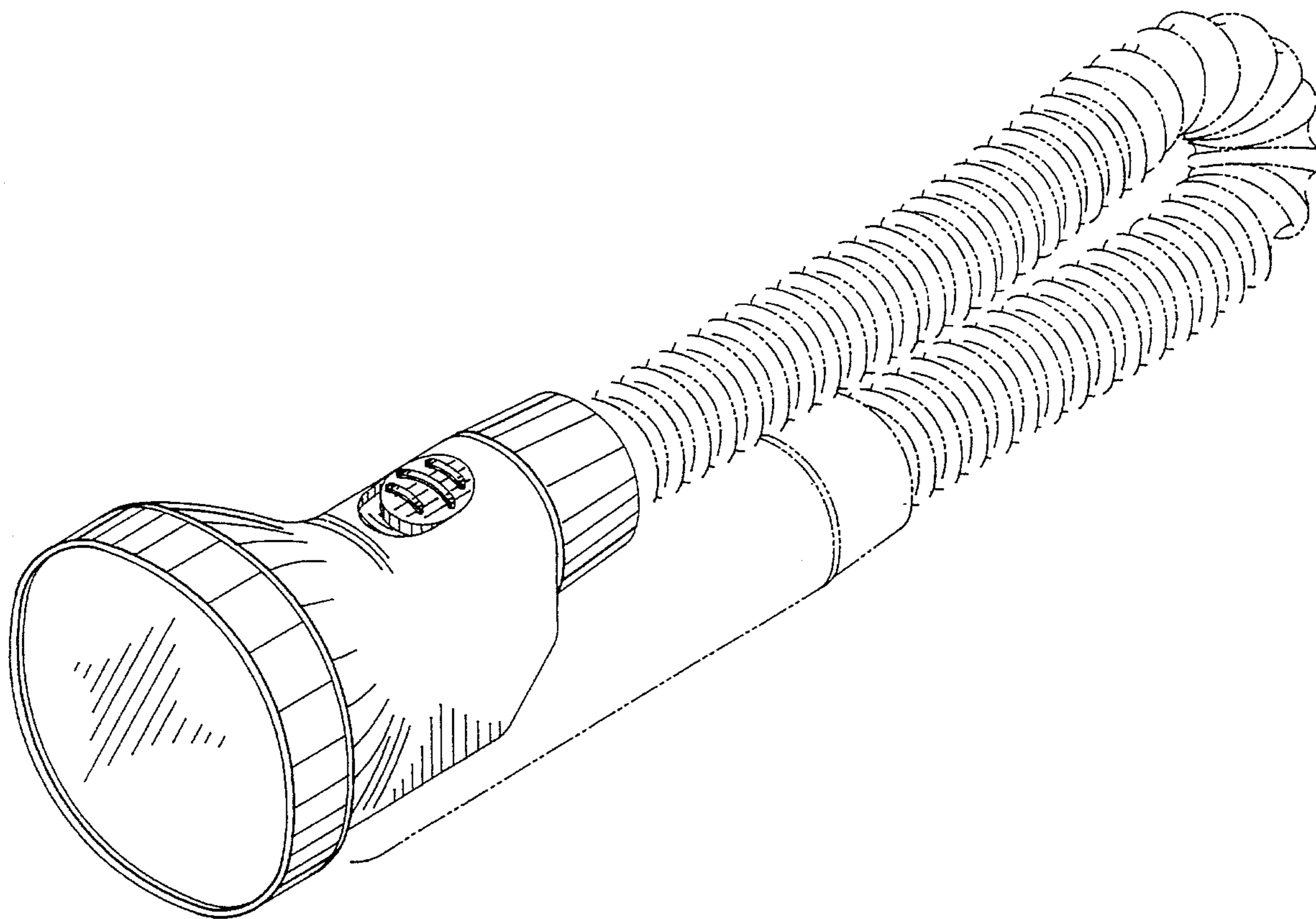
### DESCRIPTION

FIG. 1 is a perspective view taken from the front, top and right side of a head for a flashlight illustrating my new design, the portion shown in phantom is illustrative of a flexible core to which my new design may be attached; FIG. 2 is a right side elevational view thereof; FIG. 3 is a left side elevational view thereof; FIG. 4 is a front elevational view thereof; FIG. 5 is a rear elevational view thereof; FIG. 6 is a top plan view thereof; and, FIG. 7 is a bottom plan view thereof. The broken lines are for illustrative purposes and form no part of the claimed design.

#### FOREIGN PATENT DOCUMENTS

685931 8/1986 Japan ..... D26/43

**1 Claim, 3 Drawing Sheets**



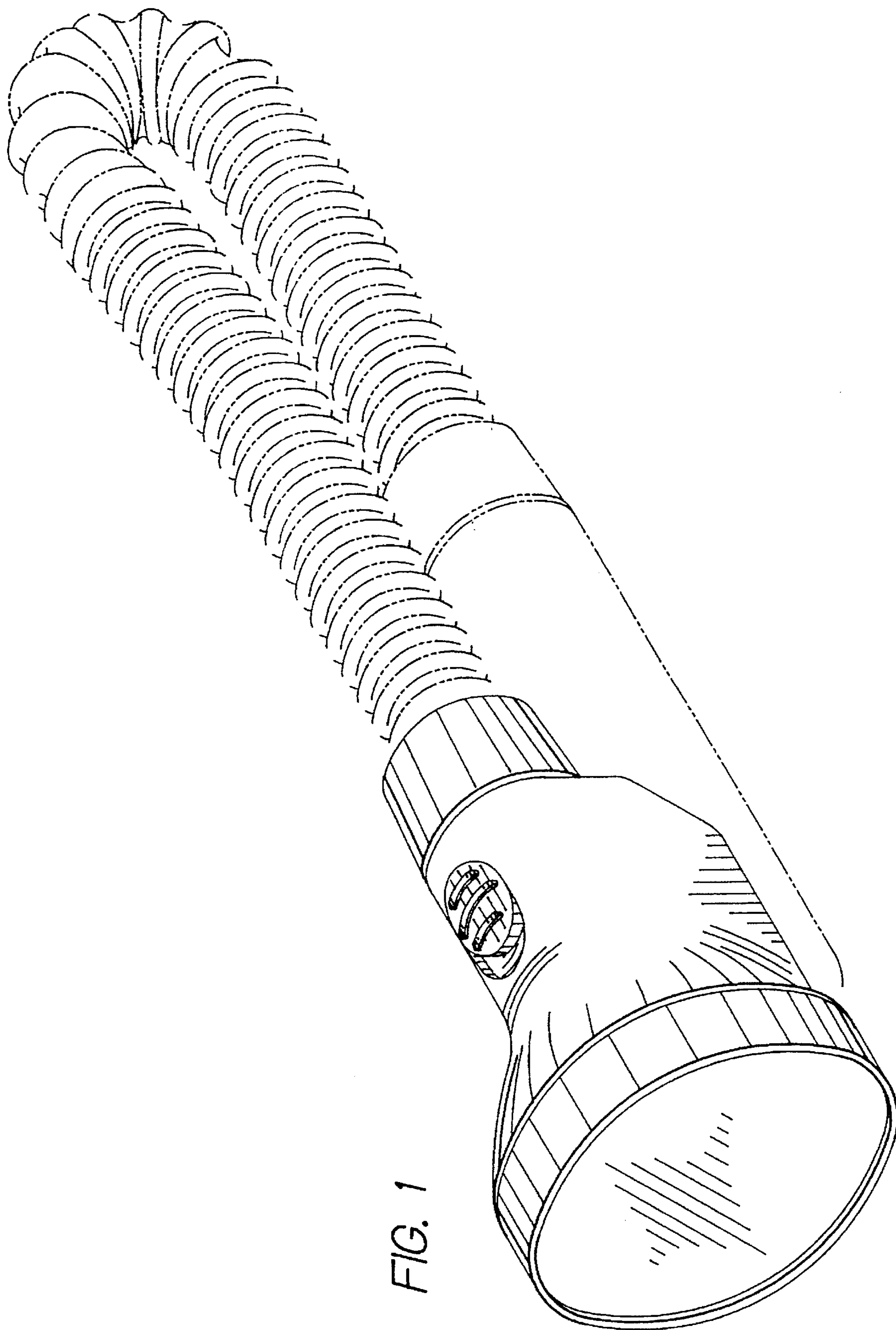


FIG. 1

FIG. 2

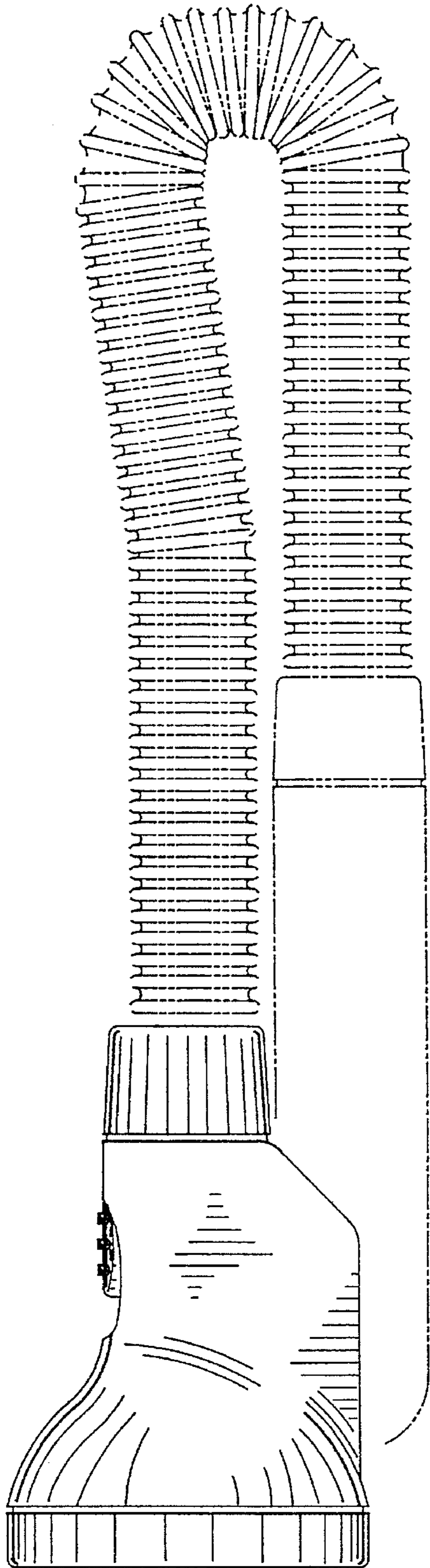
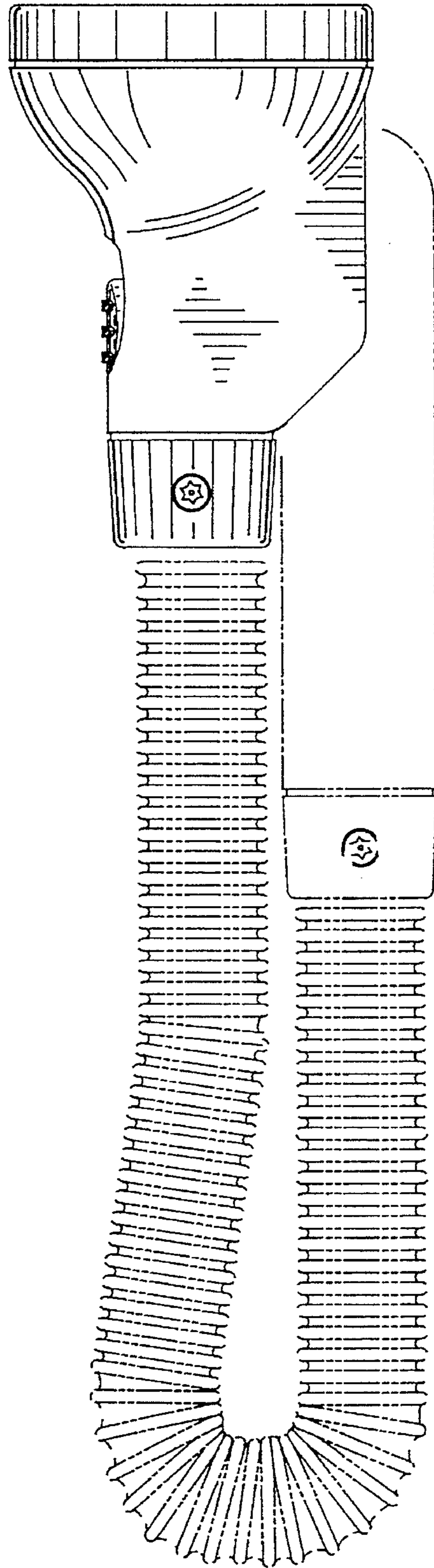


FIG. 3





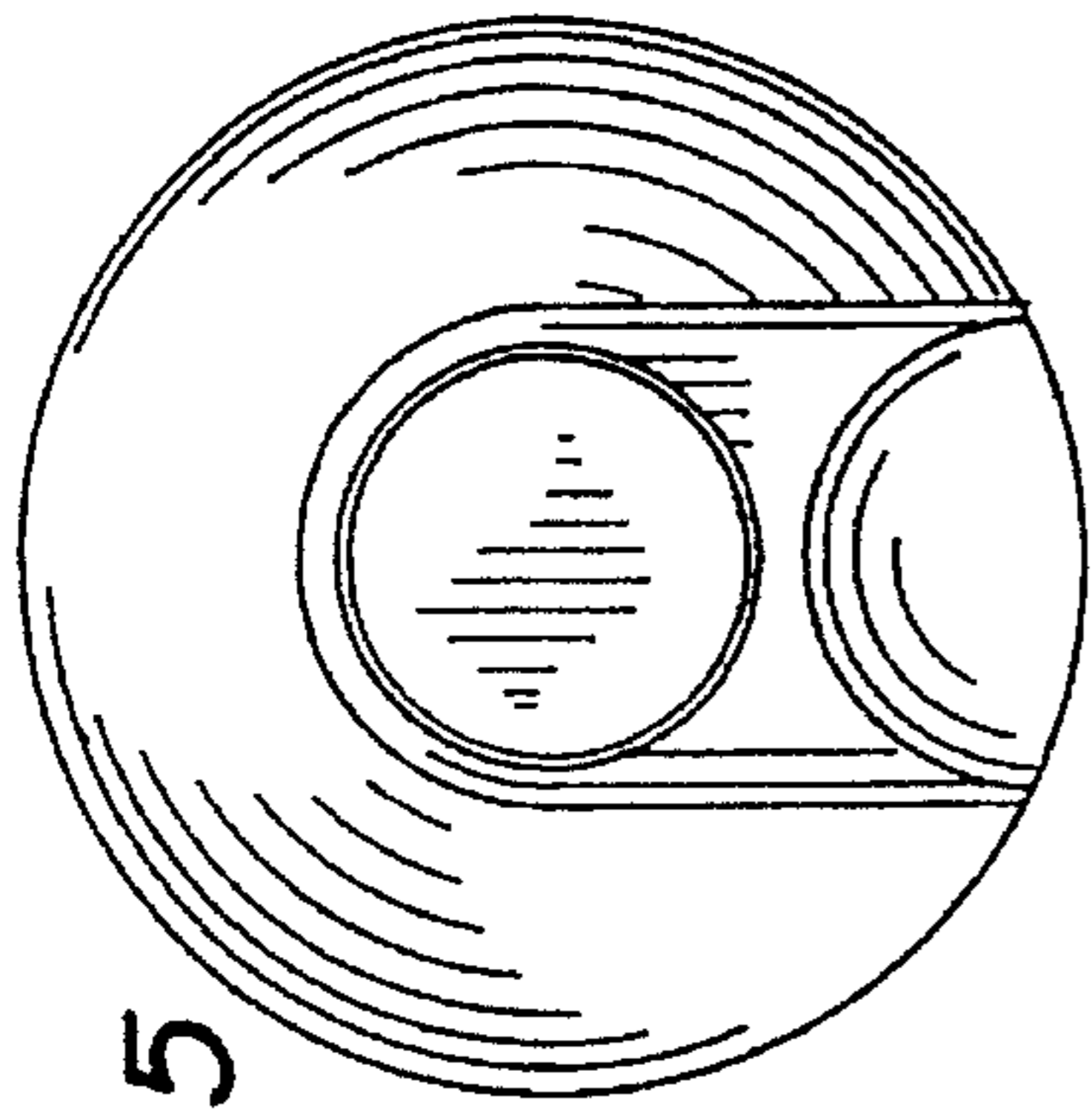


FIG. 5

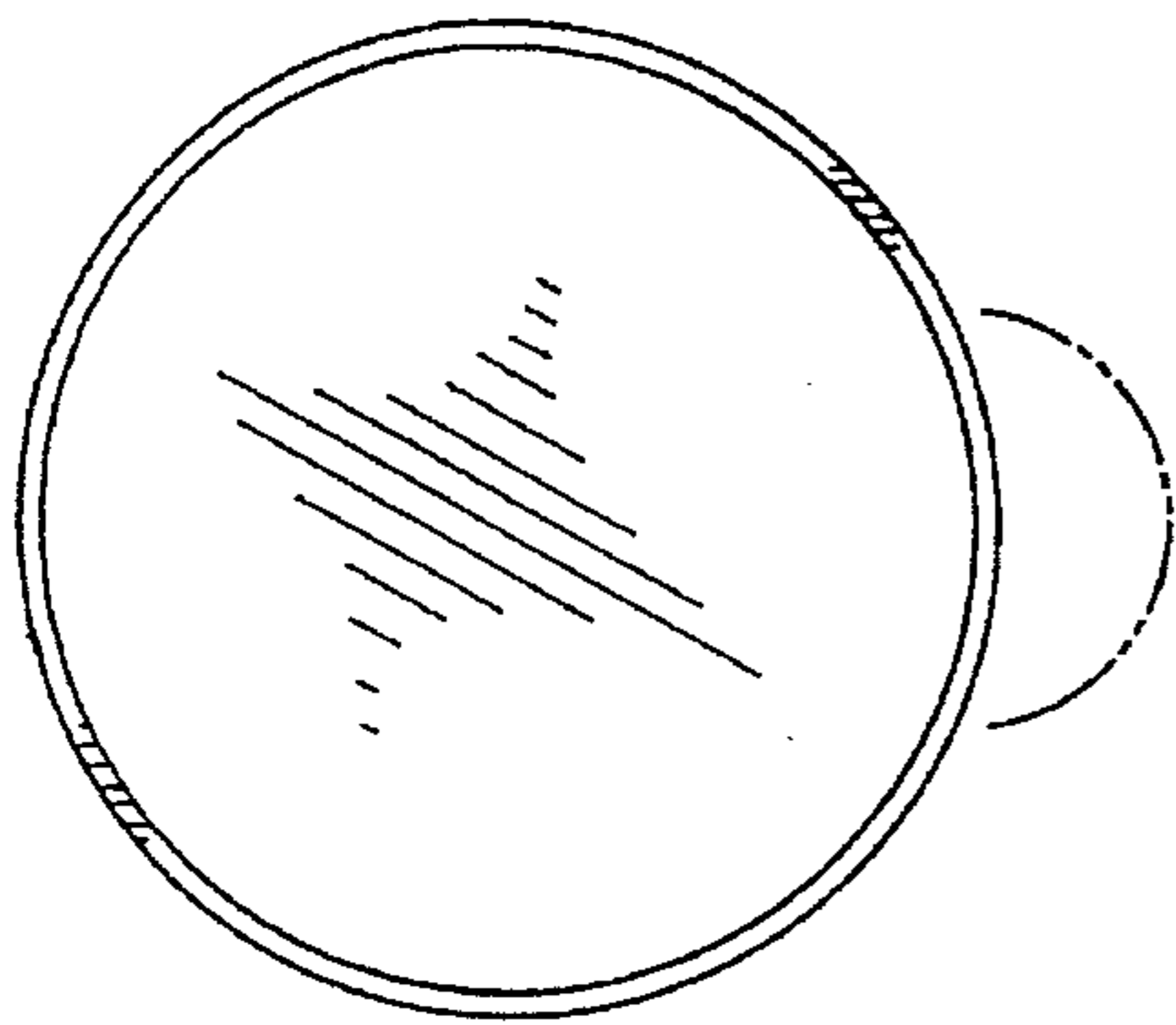


FIG. 4

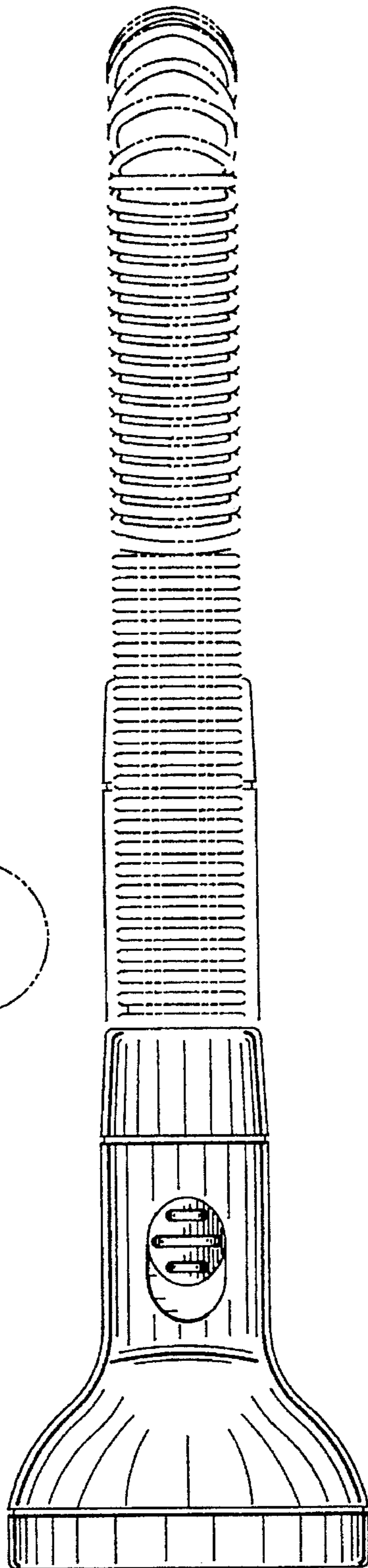


FIG. 6

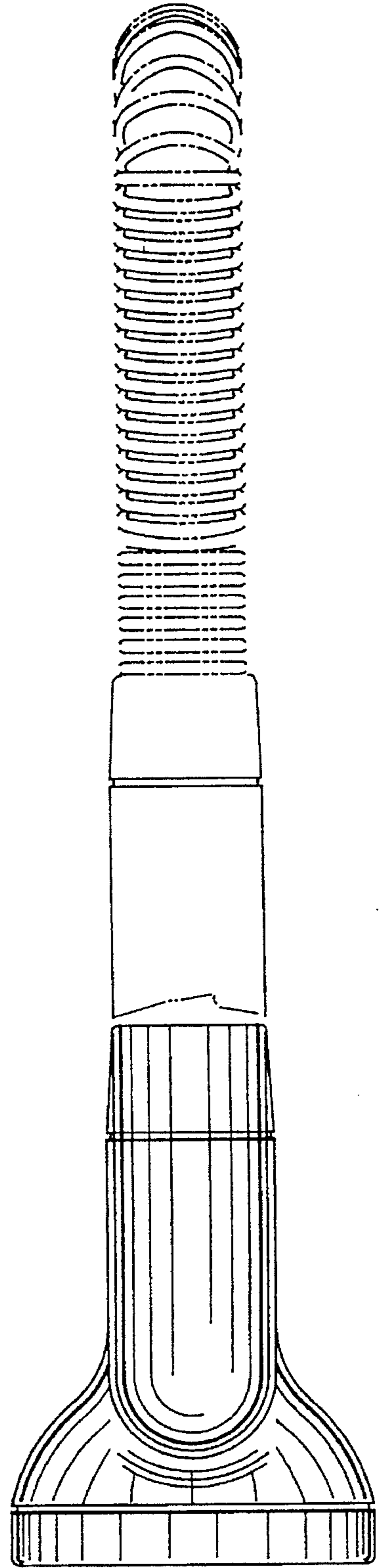


FIG. 7