



US00D376861S

United States Patent [19]

Johnstone et al.

[11] Patent Number: **Des. 376,861**

[45] Date of Patent: ****Dec. 24, 1996**

[54] **HEAD FOR A FLEXIBLE FLASHLIGHT**

671733 2/1986 Japan D26/43
671734 2/1986 Japan D26/43

[75] Inventors: **Scott Johnstone**, Pleasant Valley;
Aaron Szymanski, Bristol, both of
Conn.

Primary Examiner—A. Hugo Word
Assistant Examiner—Lavone Tabor
Attorney, Agent, or Firm—Barry E. Deutsch

[73] Assignee: **Black & Decker Inc.**, Newark, Del.

[**] Term: **14 Years**

[57] **CLAIM**

[21] Appl. No.: **37,616**

The ornamental design for a head for a flexible flashlight, as shown and described.

[22] Filed: **Apr. 17, 1995**

DESCRIPTION

[52] U.S. Cl. **D26/43**

[58] **Field of Search** D26/37, 43, 44,
D26/46, 48, 49, 60, 62; 362/157, 158, 184,
188, 189, 191, 198, 199, 200, 202, 362,
396

FIG. 1 is a perspective view taken from the front, top and right side of a head for a flexible flashlight illustrating our new design, the portion shown in phantom is illustrative of a flexible core to which my new design may be attached; FIG. 2 is a right side elevational view thereof; FIG. 3 is a left side elevational view thereof; FIG. 4 is a front elevational view thereof; FIG. 5 is a rear elevational view thereof; FIG. 6 is a top plan view thereof; and, FIG. 7 is a bottom plan view thereof.

[56] **References Cited**

U.S. PATENT DOCUMENTS

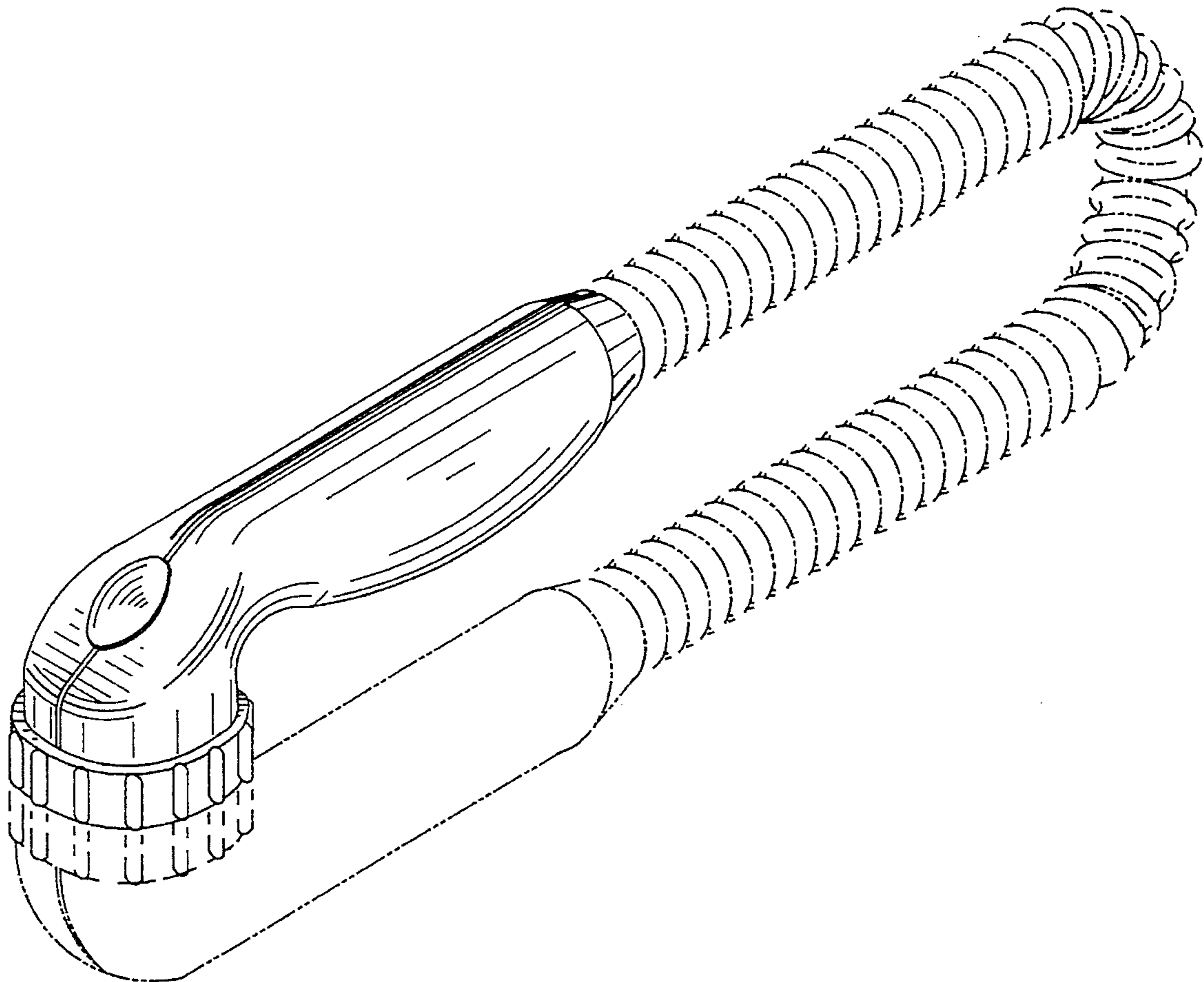
D. 147,258 8/1947 Becker D26/43
D. 166,073 3/1952 Dunkelberger D26/43
D. 314,246 1/1991 Bache D26/62
D. 328,146 7/1992 Sinsteden D26/49
3,111,277 11/1963 Grimsley D26/43 X

The broken lines are for illustrative purposes only and form no part of the claimed design.

FOREIGN PATENT DOCUMENTS

604541 7/1983 Japan D26/43

1 Claim, 3 Drawing Sheets



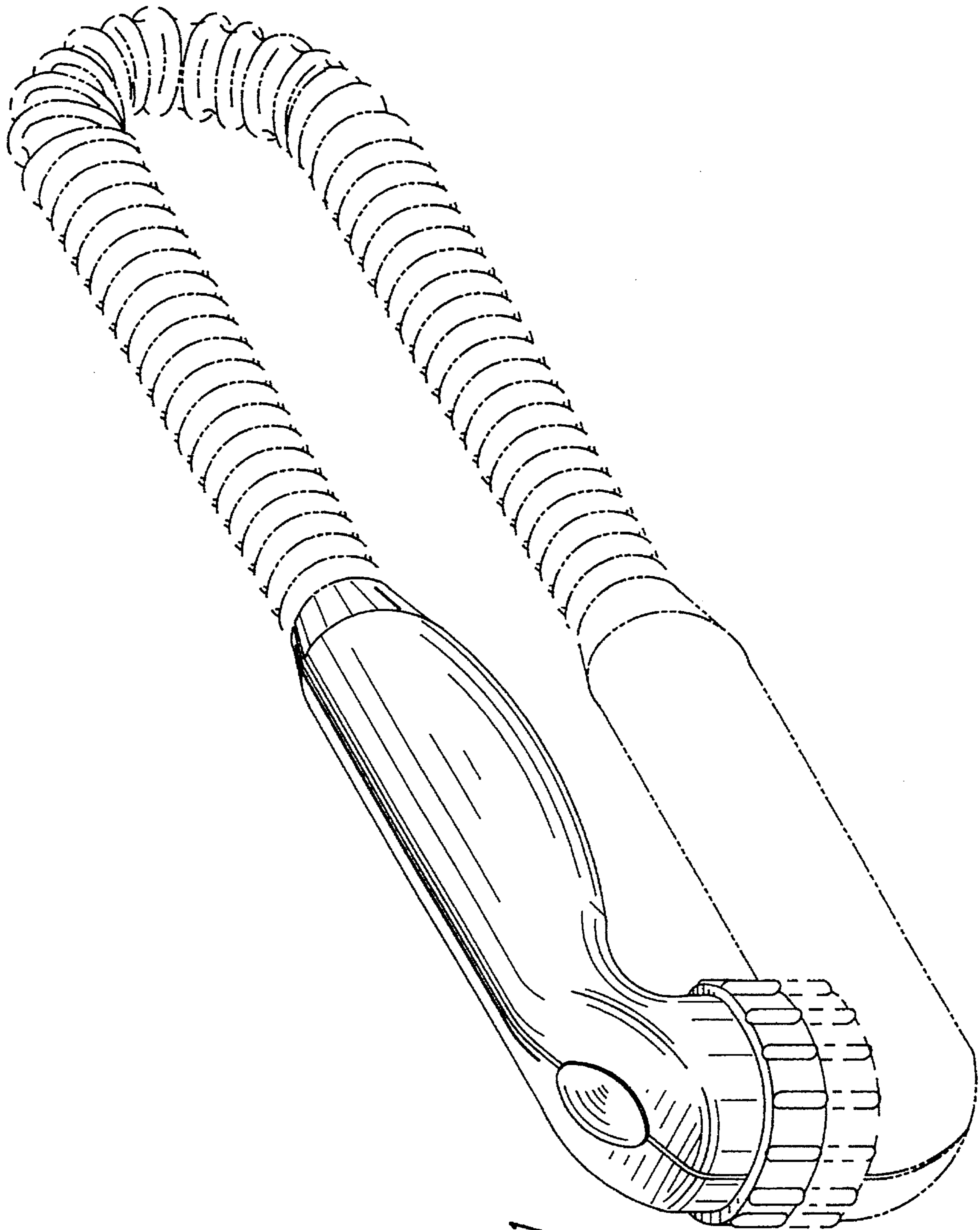


FIG. 1

FIG. 2

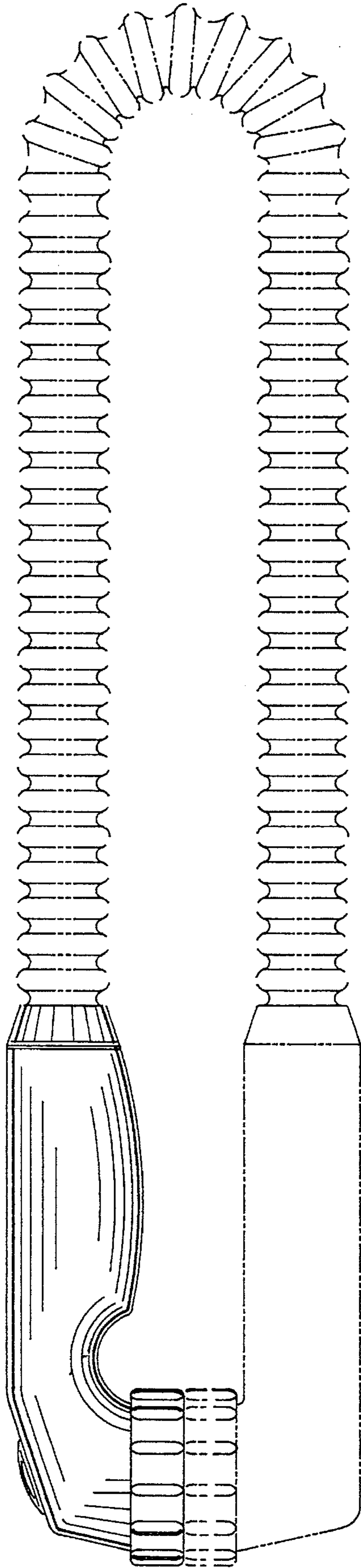
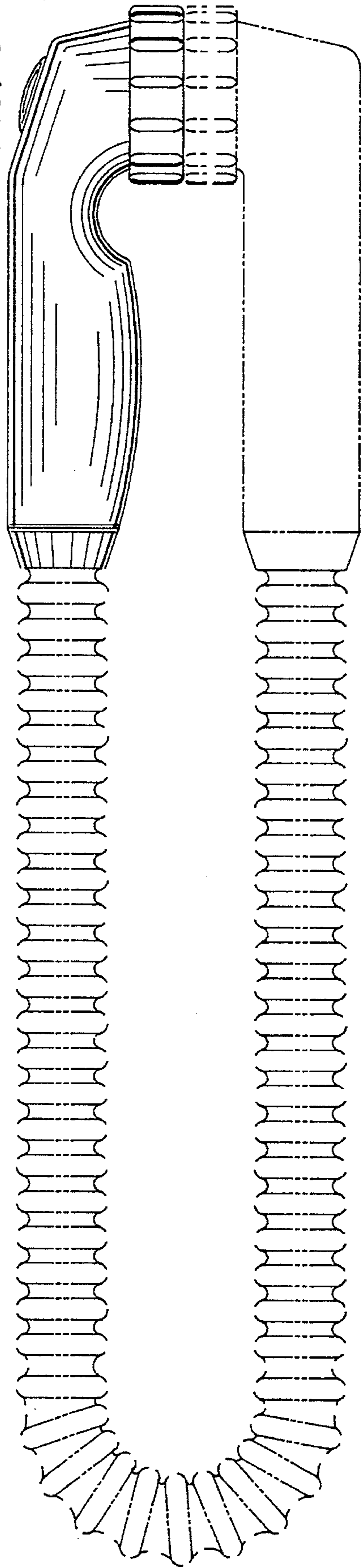


FIG. 3



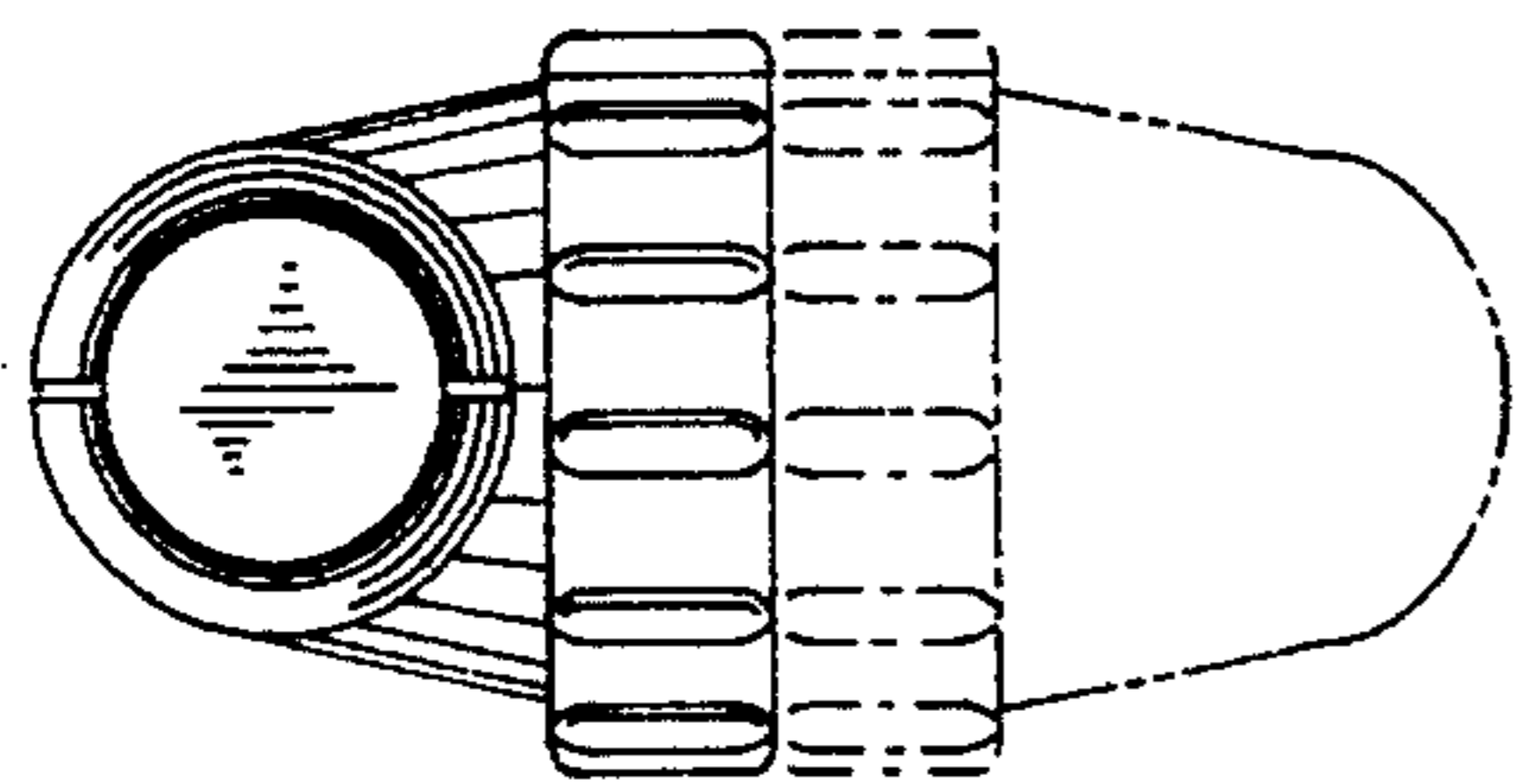


FIG. 4

FIG. 5

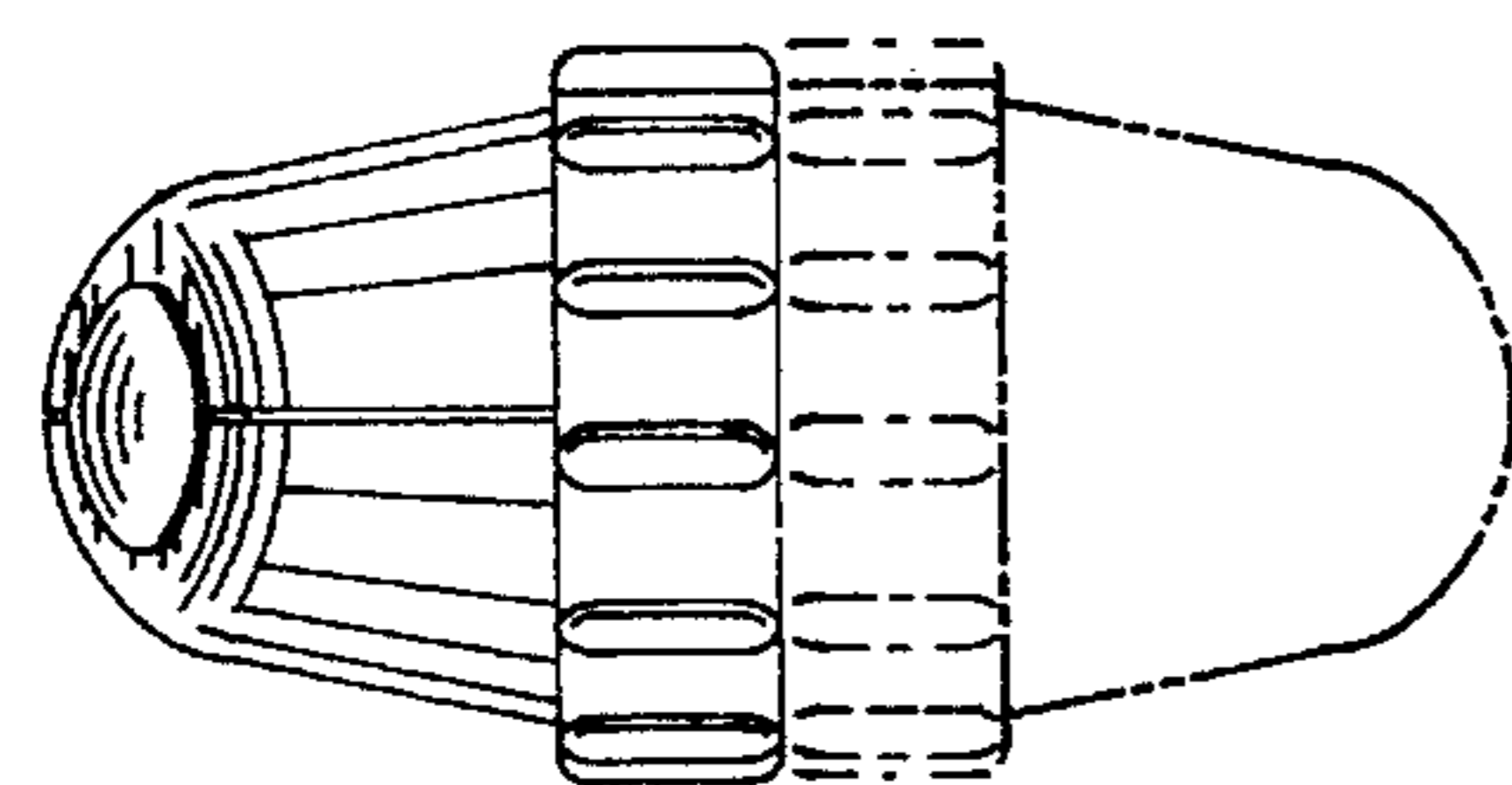


FIG. 6

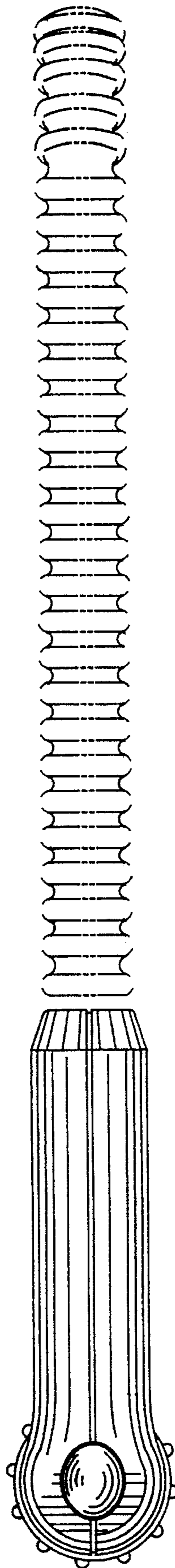


FIG. 7

