



US00D376860S

# United States Patent [19]

[11] Patent Number: **Des. 376,860**

Santarsiero

[45] Date of Patent: **\*\*Dec. 24, 1996**

[54] **HEAD FOR A FLASHLIGHT**

*Primary Examiner*—A. Hugo Word

[75] Inventor: **Paul S. Santarsiero**, Avon, Conn.

*Attorney, Agent, or Firm*—Barry E. Deutsch

[73] Assignee: **Black & Decker Inc.**, Newark, Del.

[57] **CLAIM**

[\*\*] Term: **14 Years**

The ornamental design for a head for a flashlight, as shown and described.

[21] Appl. No.: **37,603**

**DESCRIPTION**

[22] Filed: **Apr. 17, 1995**

FIG. 1 is a perspective view taken from the front, top and right side of a head or a flashlight showing my new design, the portion shown in phantom is illustrative of a flexible core to which my new design may be attached;

[52] U.S. Cl. .... **D26/43**

FIG. 2 is a top plan view thereof;

[58] Field of Search ..... D26/37, 43, 44,  
D26/46, 49, 60, 62; 362/157, 158, 184,  
189, 191, 198, 199, 200, 202, 362, 396

FIG. 3 is a bottom plan view thereof;

FIG. 4 is a front elevational view thereof;

[56] **References Cited**

FIG. 5 is a rear elevational view thereof;

**U.S. PATENT DOCUMENTS**

FIG. 6 is a right side elevational view thereof; and,

D. 129,155 8/1941 Brodton ..... D26/46

FIG. 7 is a left side elevational view thereof.

D. 225,565 11/1972 Audesse et al. .... D26/46

The broken lines are for illustrative purposes only and form no part of the claimed design.

D. 314,246 1/1991 Bache ..... D26/62

D. 324,577 3/1992 Tsuyama ..... D26/46

**1 Claim, 3 Drawing Sheets**

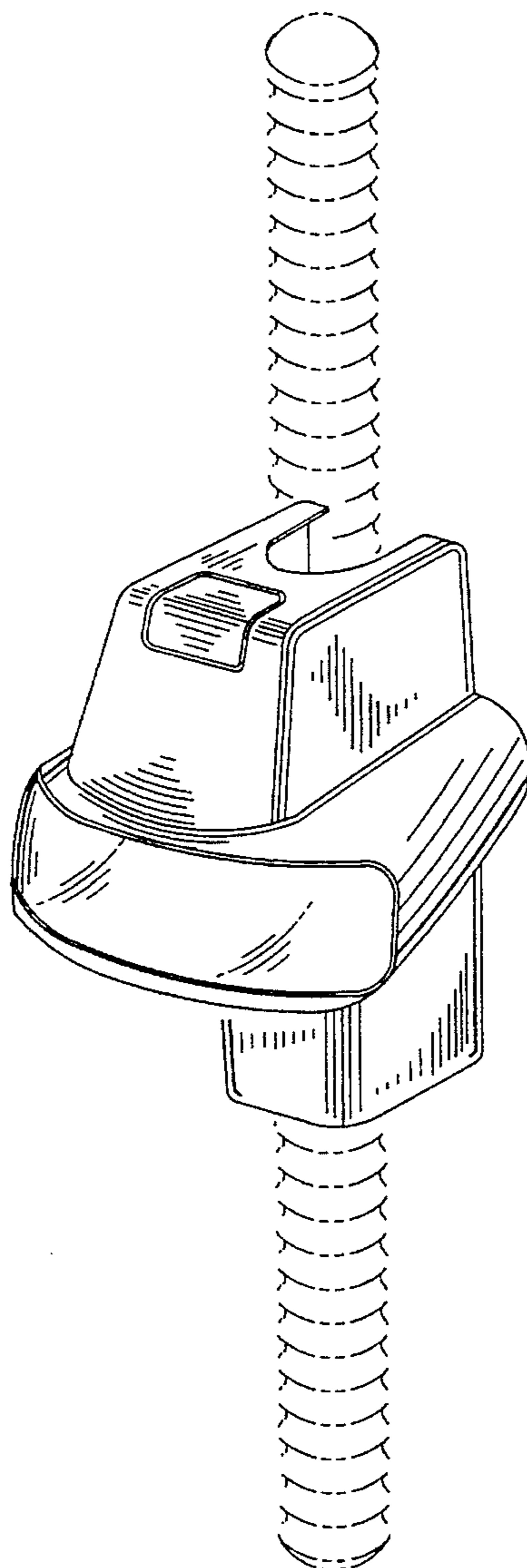


FIG. 1

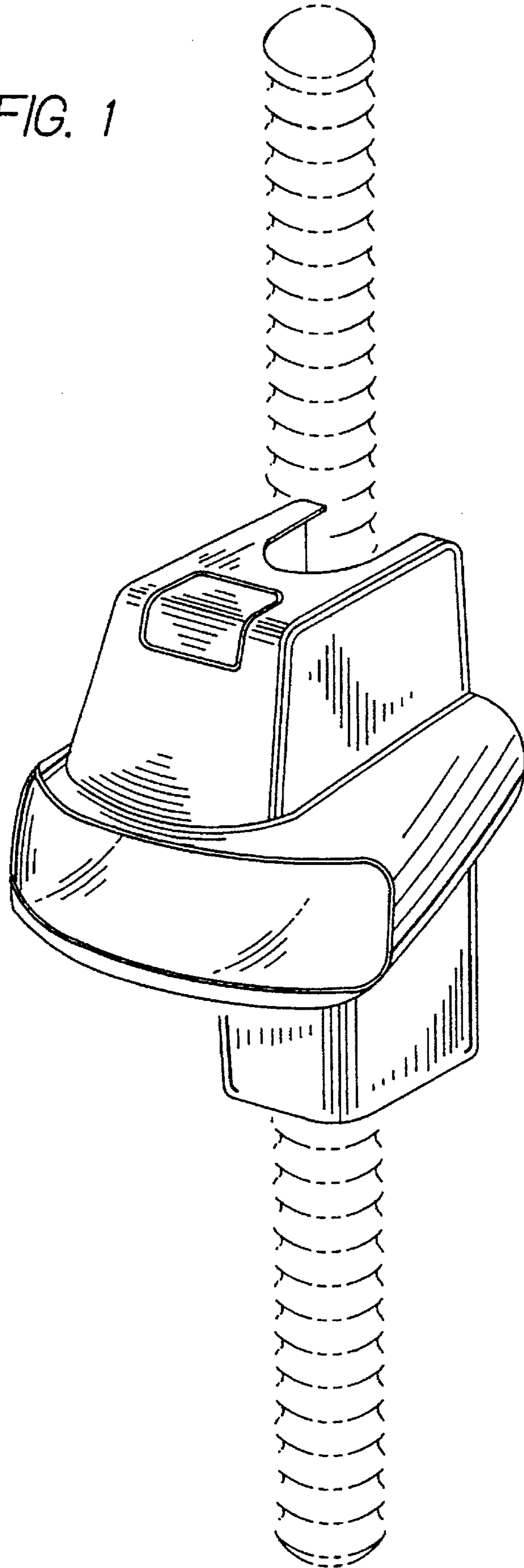


FIG. 4

FIG. 5

FIG. 2

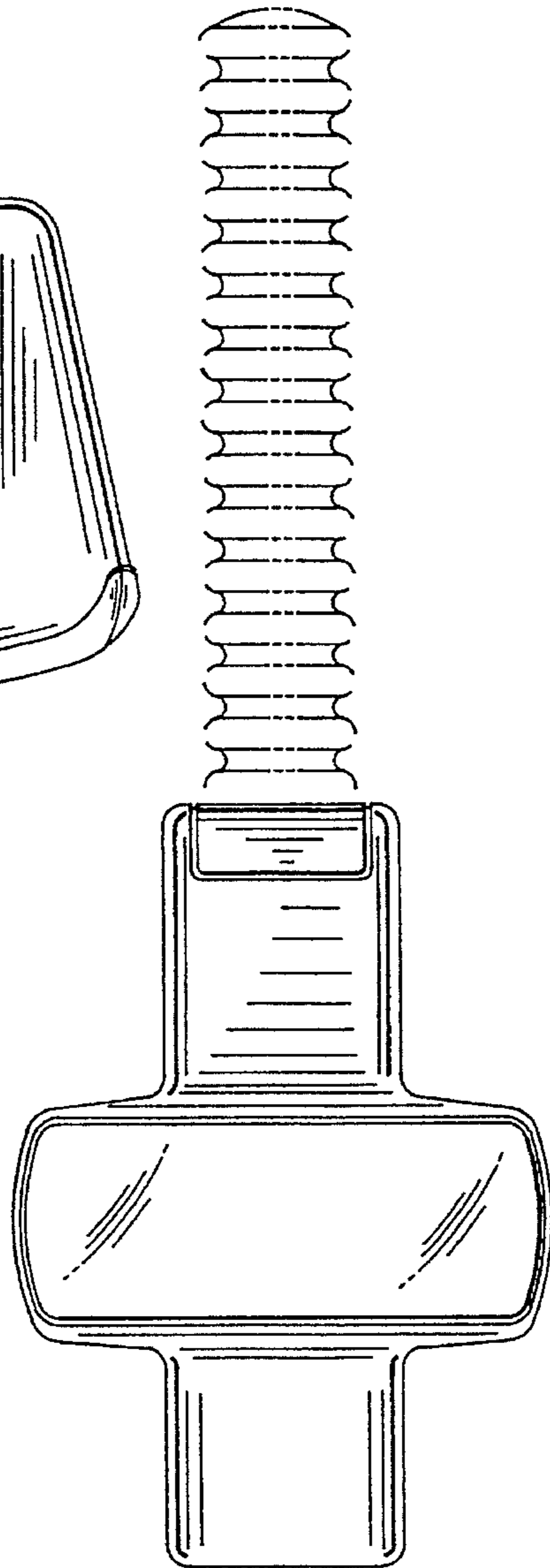
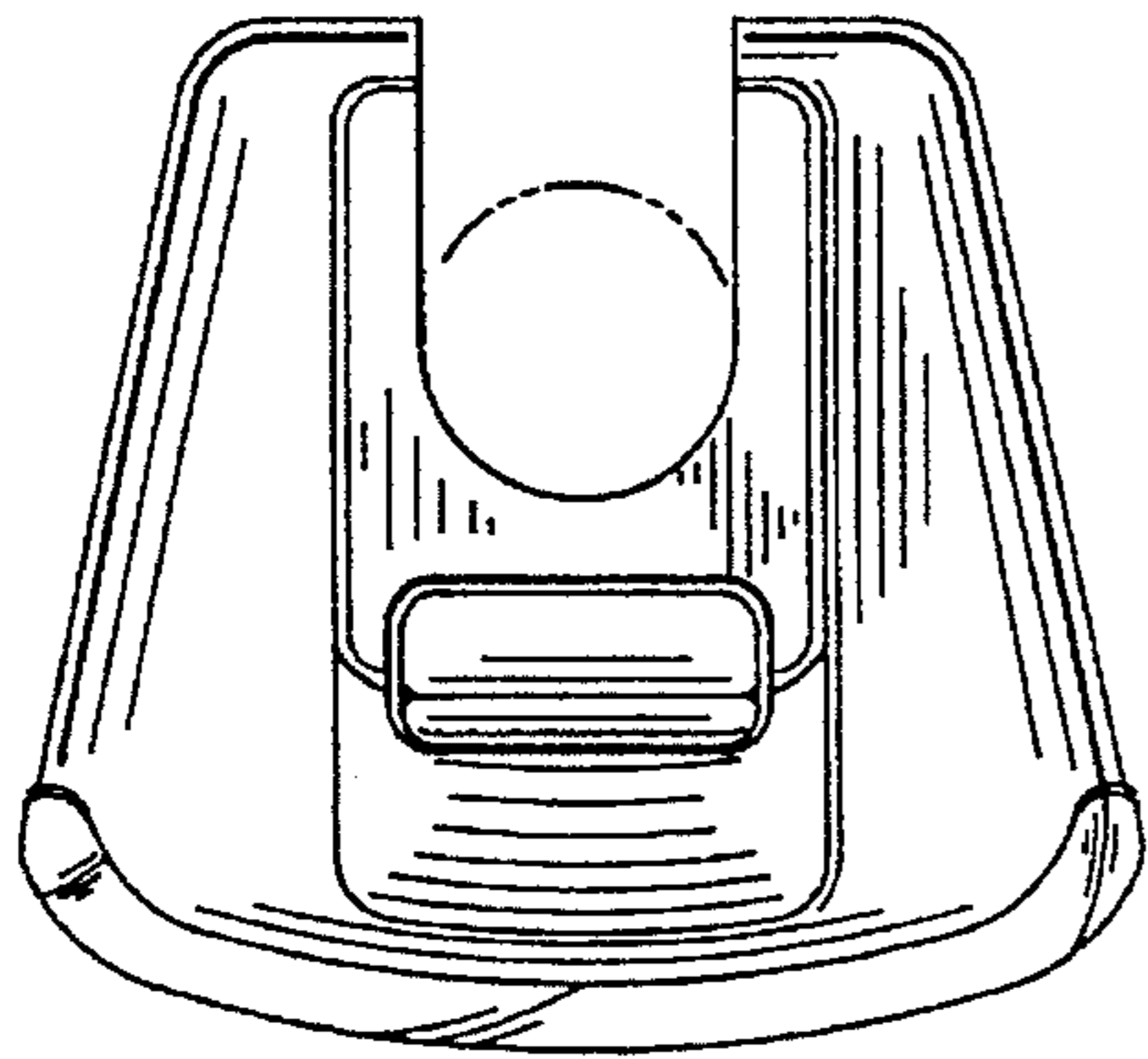


FIG. 3

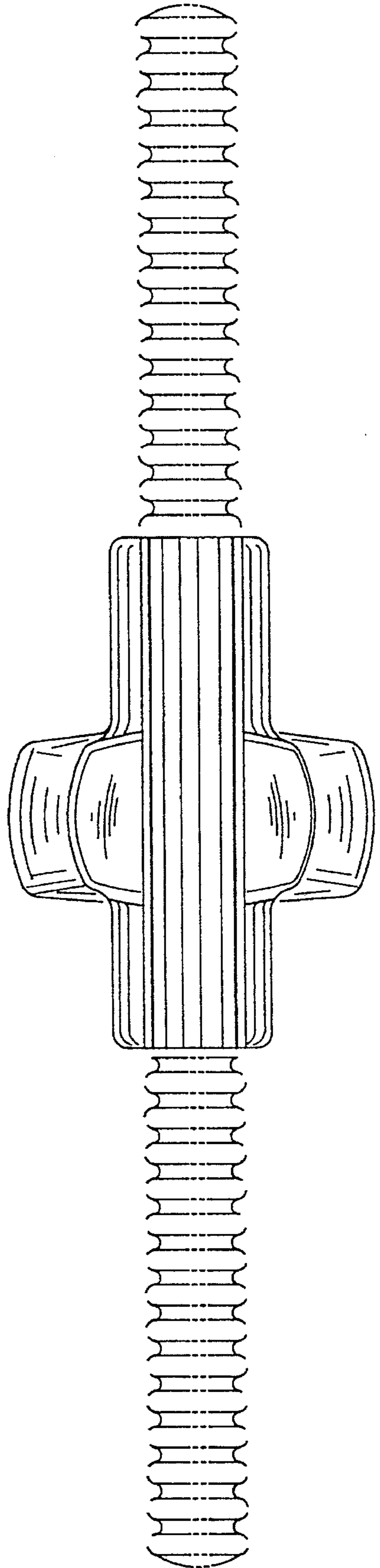
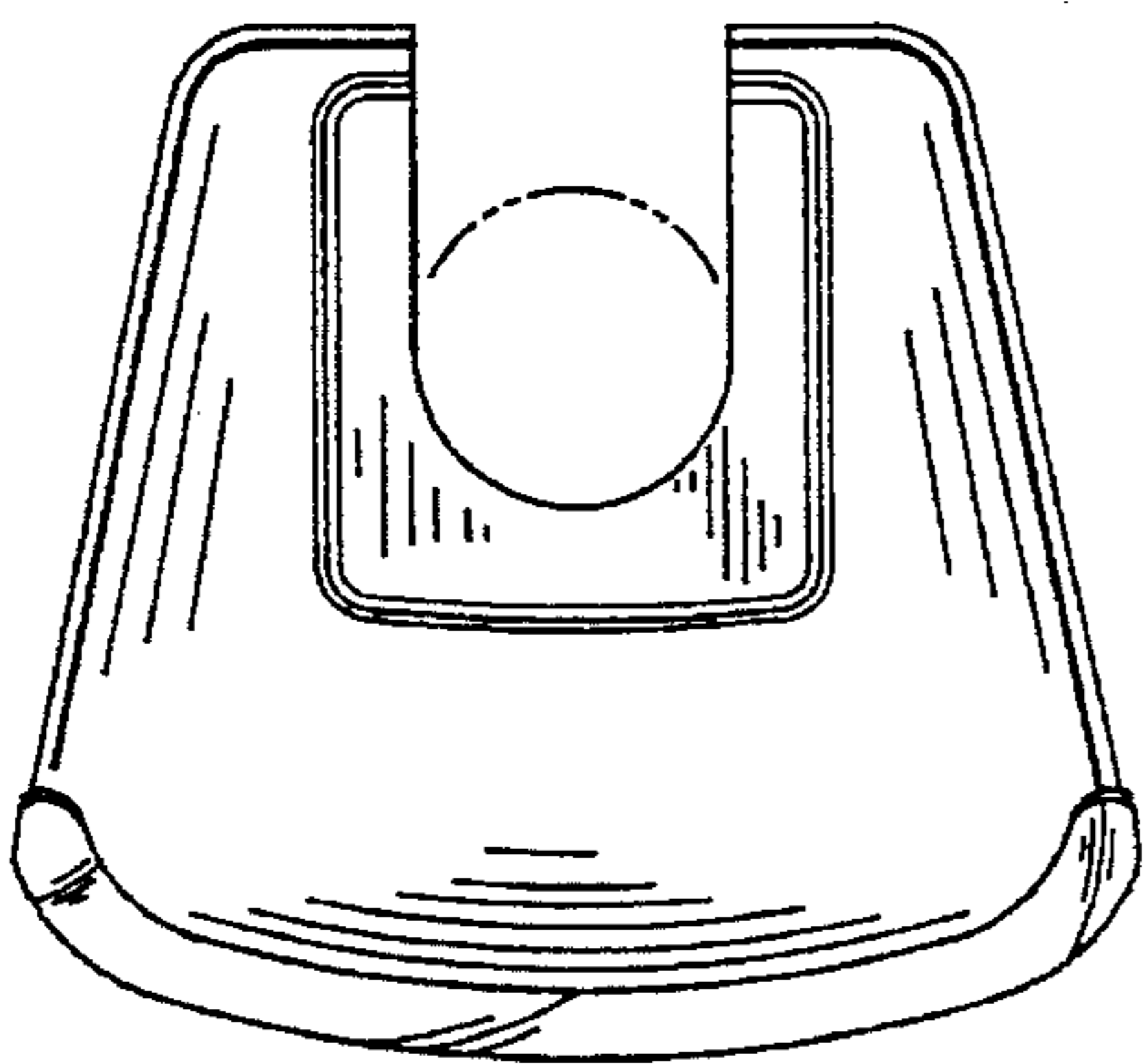


FIG. 6

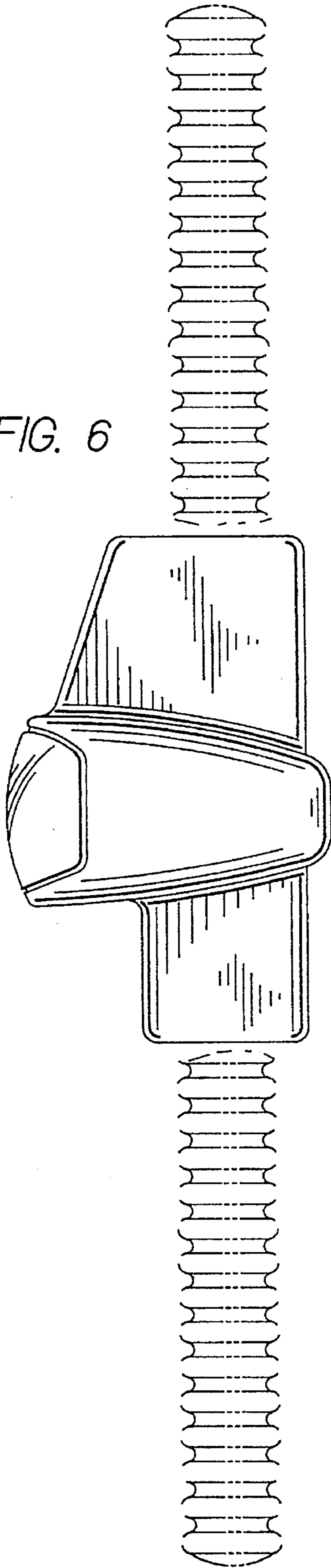


FIG. 7

