



US00D376859S

# United States Patent [19]

Garrity, Sr.

[11] Patent Number: **Des. 376,859**

[45] Date of Patent: **\*\*Dec. 24, 1996**

[54] FLASHLIGHT

[75] Inventor: **Paul G. Garrity, Sr.**, Madison, Conn.

[73] Assignee: **Garrity Industries, Inc.**, Madison, Conn.

[\*\*] Term: **14 Years**

[21] Appl. No.: **44,206**

[22] Filed: **Sep. 20, 1995**

[52] U.S. Cl. .... **D26/37**

[58] Field of Search ..... D26/37, 38, 45;  
362/157, 158, 197, 200, 201, 207, 208

[56] **References Cited**

**U.S. PATENT DOCUMENTS**

D. 147,798	11/1947	Kelly	.....	D26/37
D. 234,803	4/1975	Bacevius	.....	D26/37
D. 235,471	6/1975	Squadra	.....	D26/37
D. 275,423	9/1984	Stansbury, Jr. et al.	.....	D26/38

D. 291,836 9/1987 Benoit ..... D26/37

*Primary Examiner*—A. Hugo Word

*Assistant Examiner*—Lavone D. Tabor

*Attorney, Agent, or Firm*—Fitzpatrick, Cella, Harper & Scinto

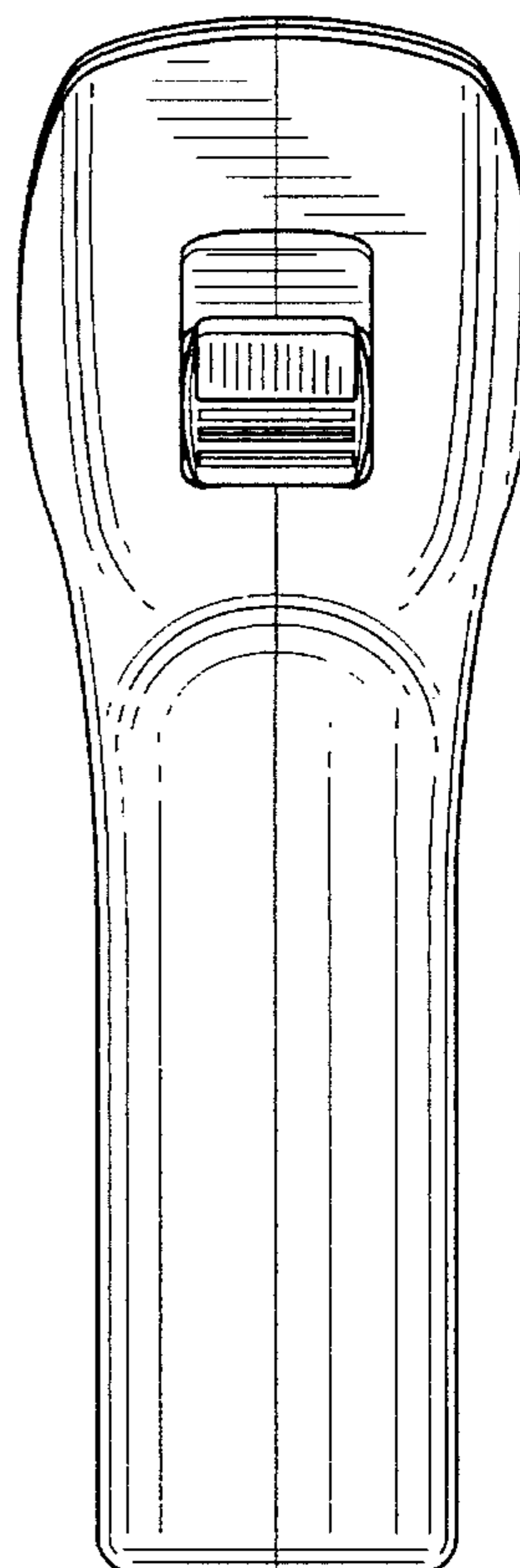
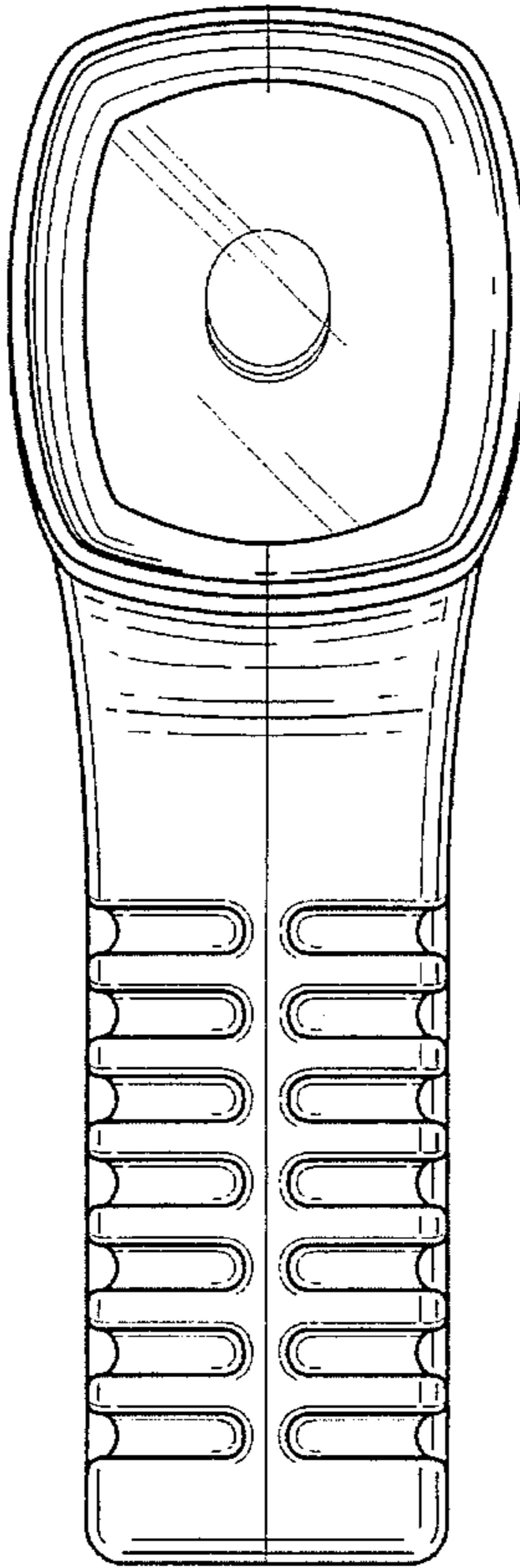
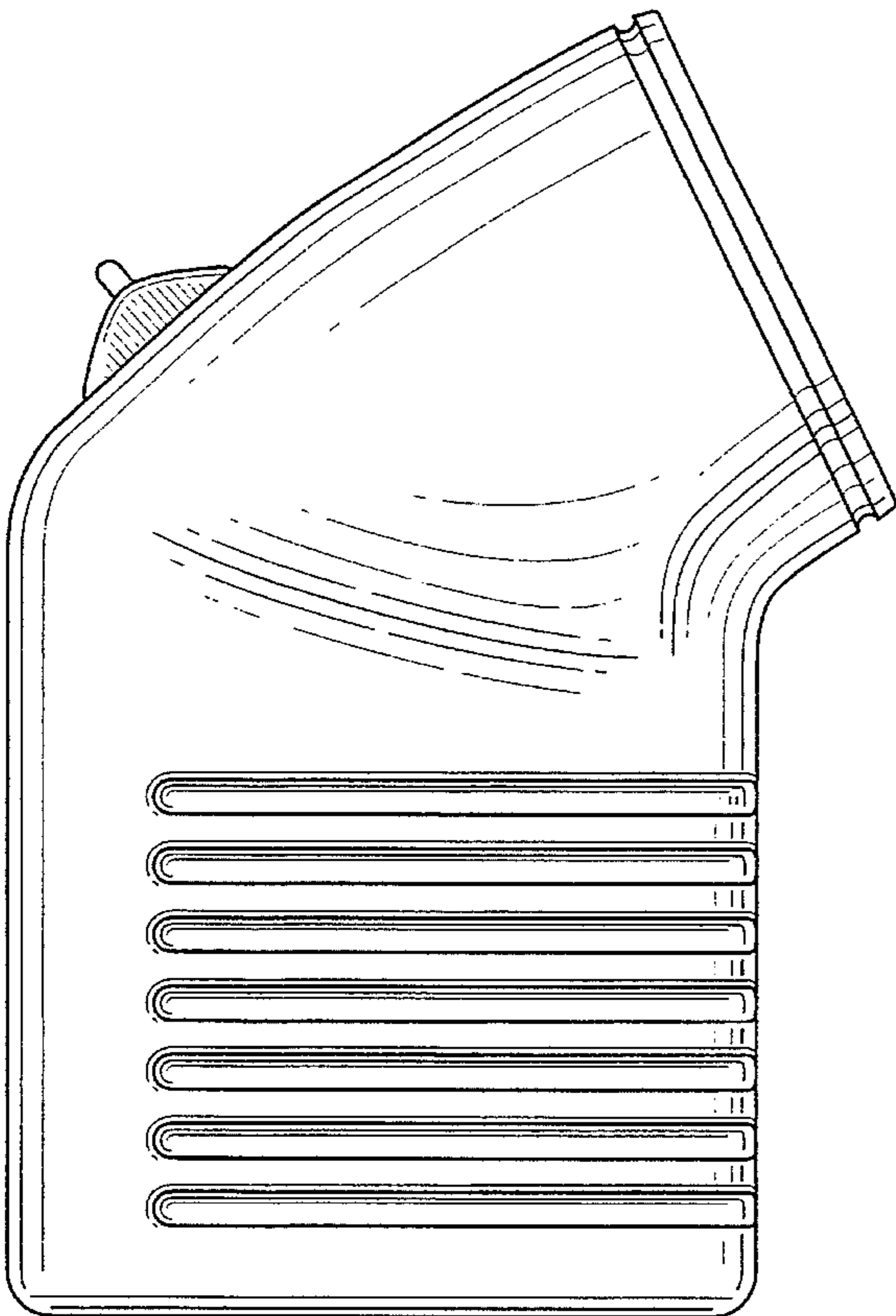
[57] **CLAIM**

The ornamental design for a flashlight, as shown and described.

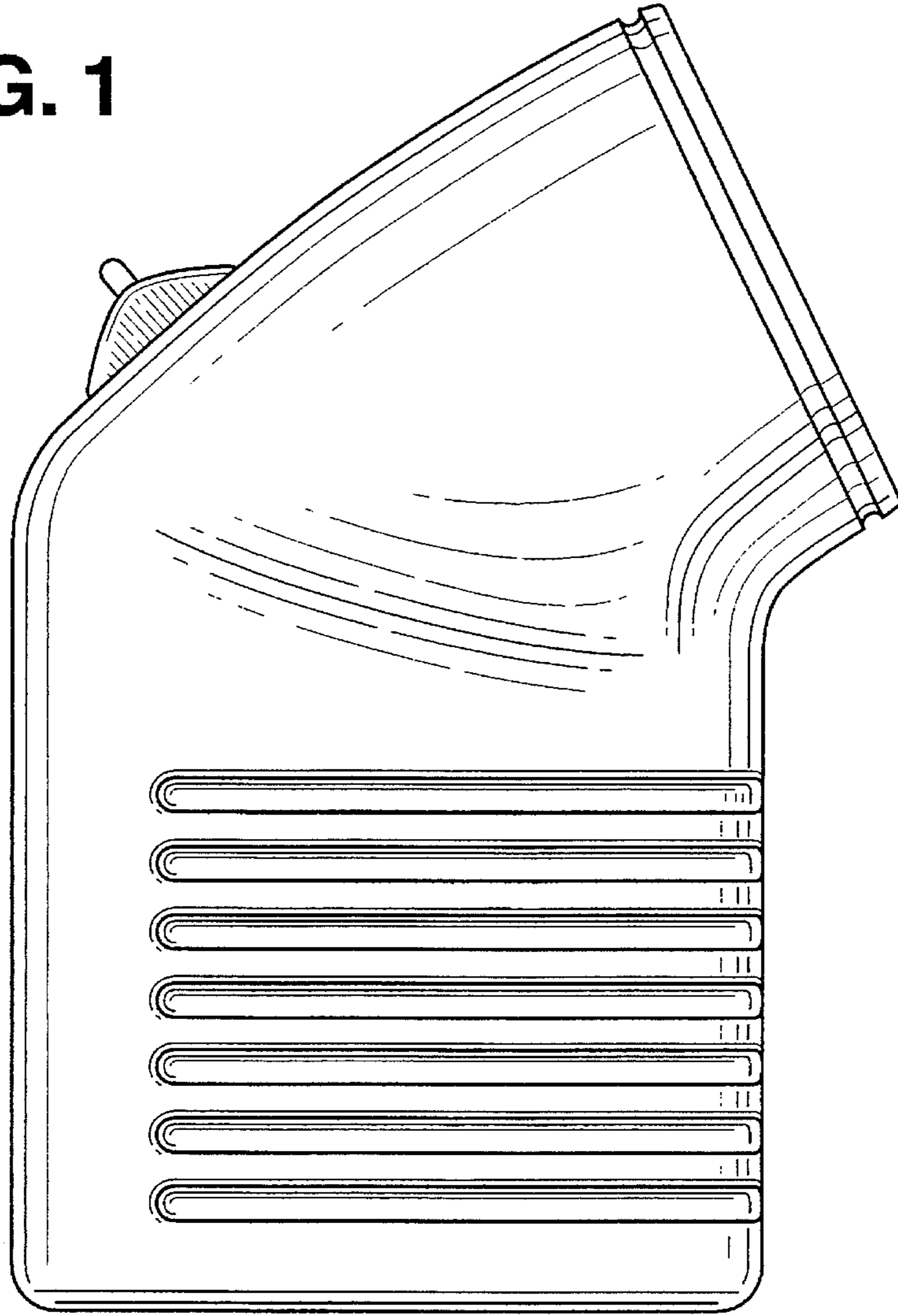
**DESCRIPTION**

FIG. 1 is a side elevational view of the right side of my new design;  
FIG. 2 is a side elevational view of the left side of my new design;  
FIG. 3 is a front elevational view of this design;  
FIG. 4 is a rear elevational view of this design;  
FIG. 5 is a top plan view thereof; and,  
FIG. 6 is a bottom plan view of my new design.

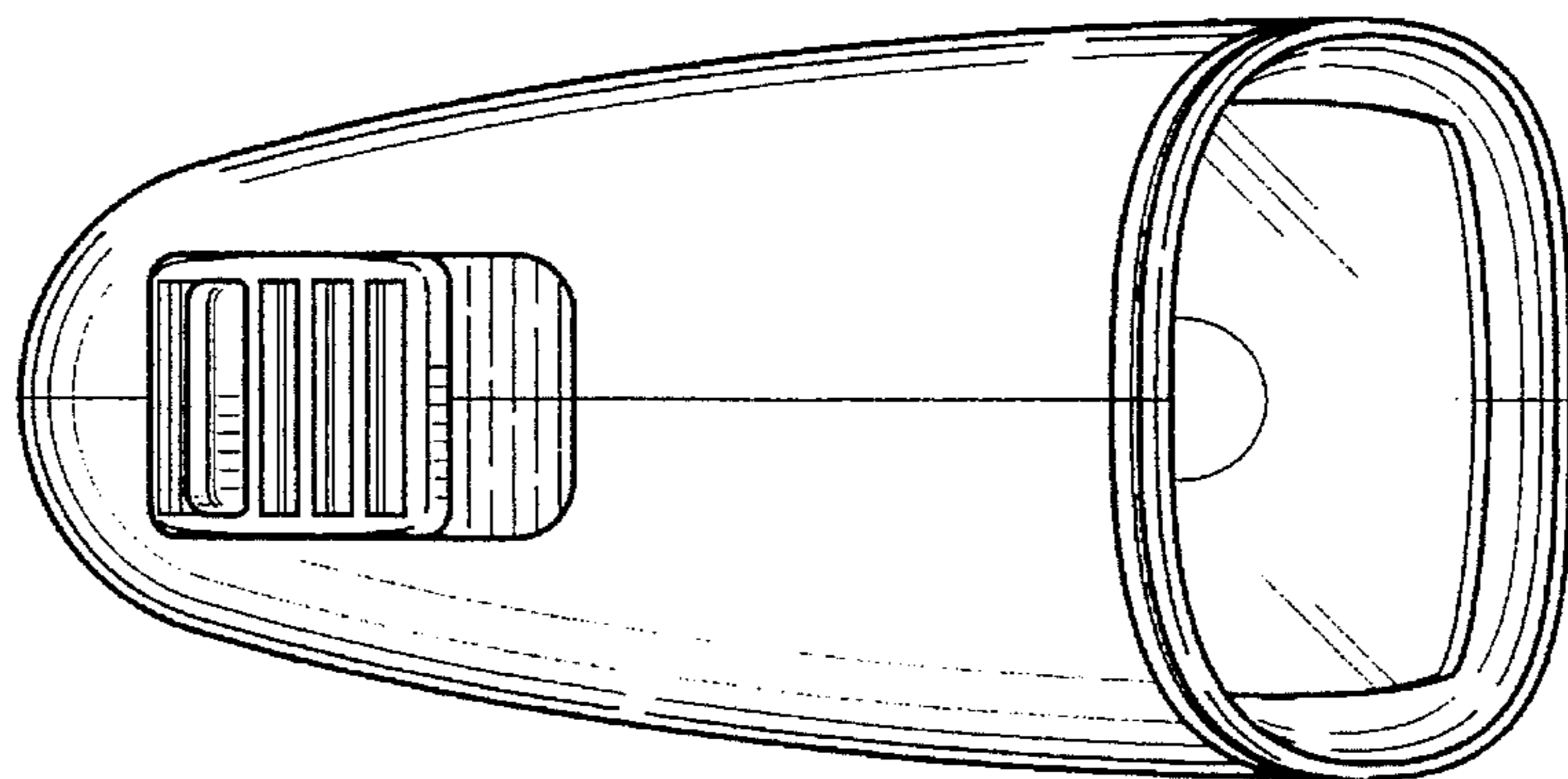
**1 Claim, 3 Drawing Sheets**



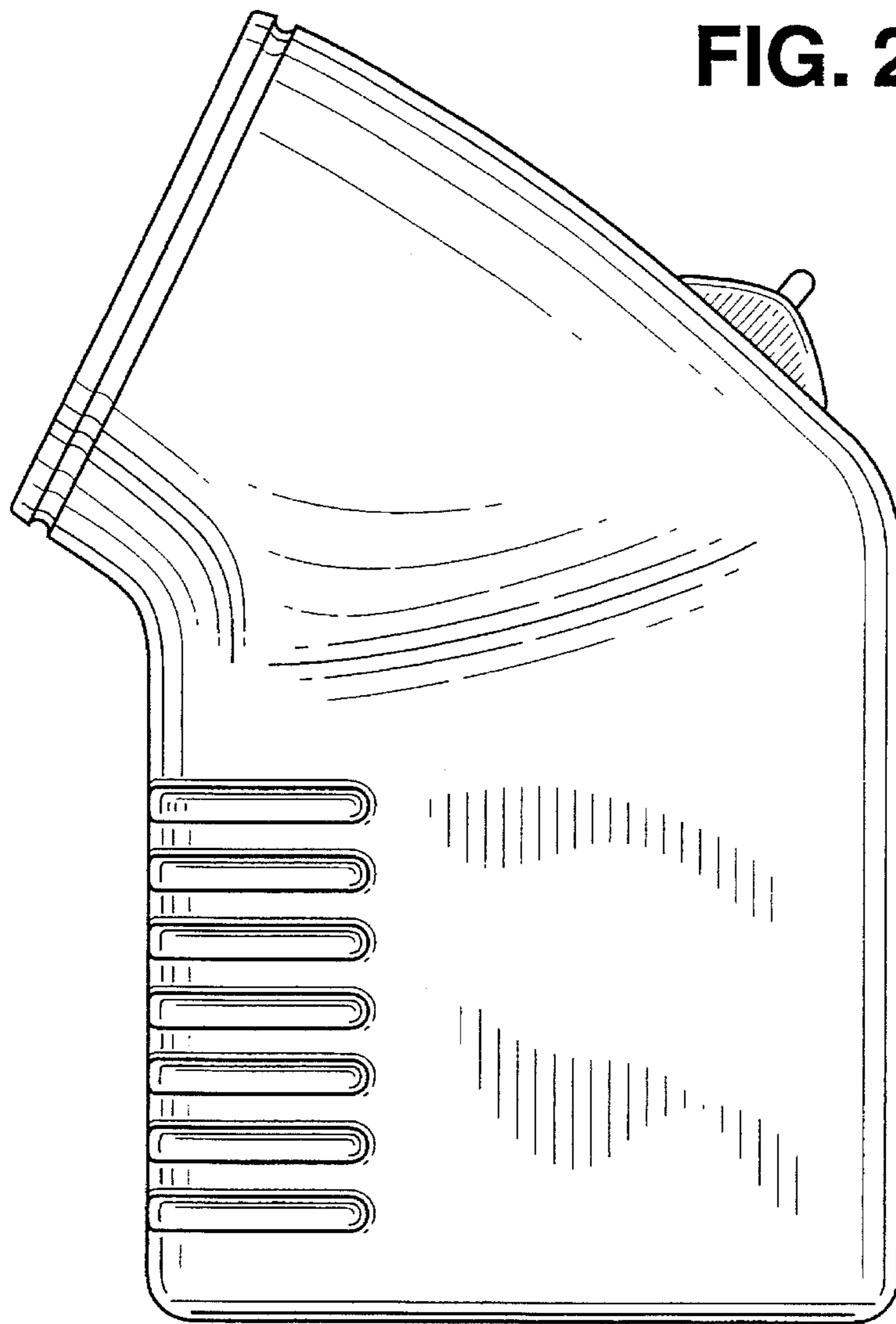
**FIG. 1**



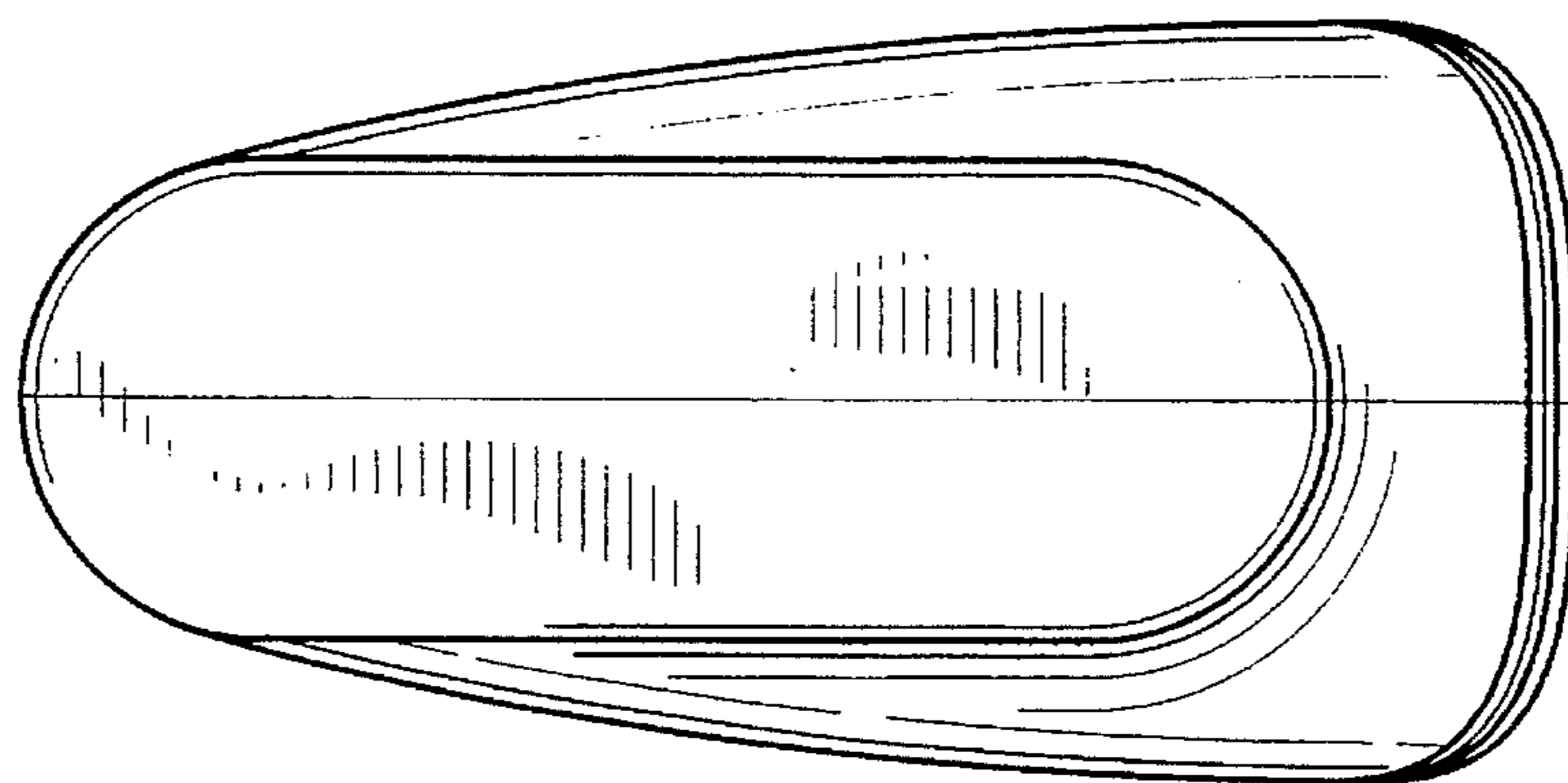
**FIG. 5**



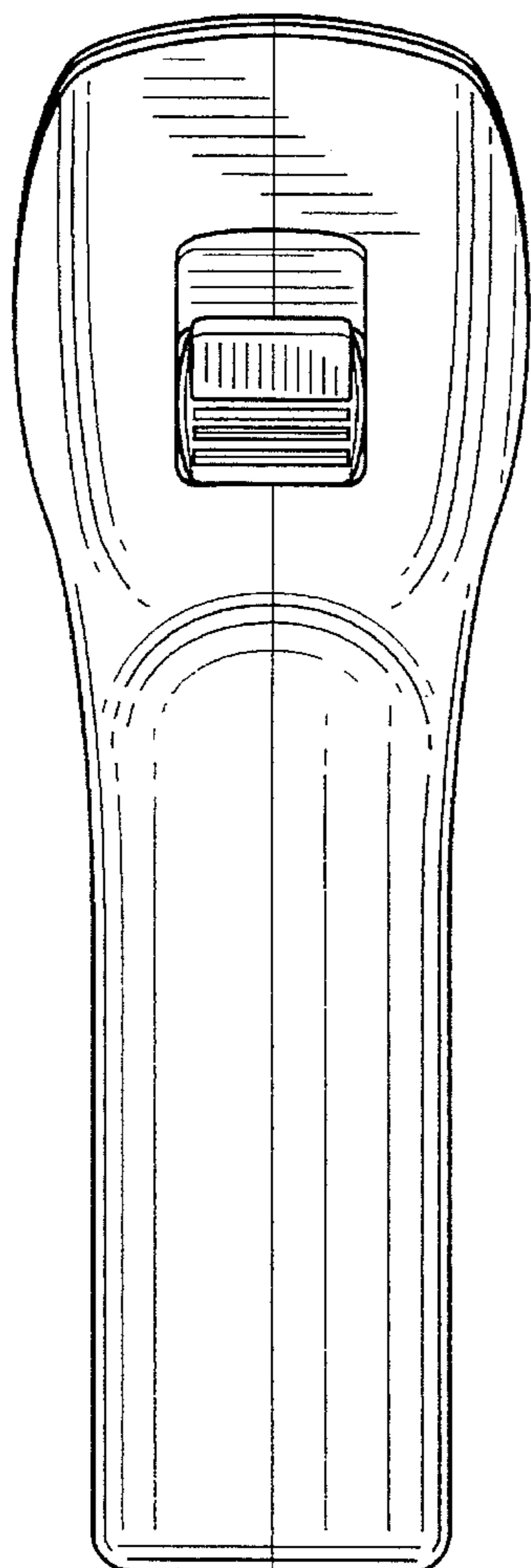
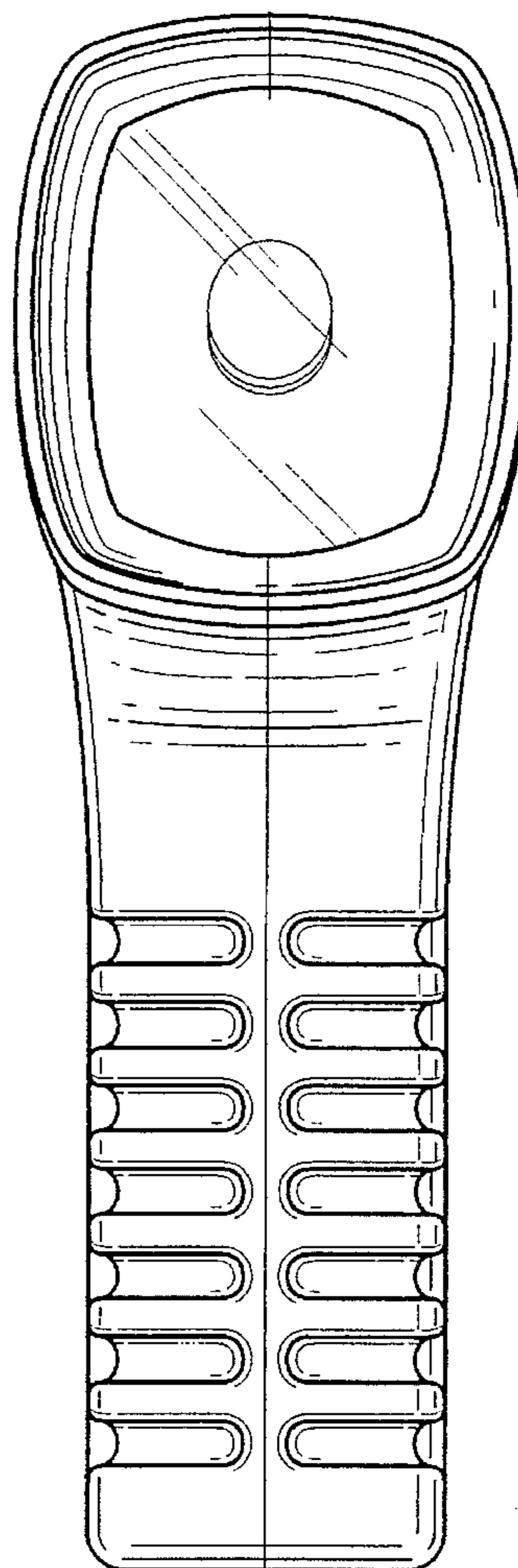
**FIG. 2**



**FIG. 6**



**FIG. 3**



**FIG. 4**