



US00D376856S

United States Patent [19]

DiGiorgio

[11] Patent Number: **Des. 376,856**

[45] Date of Patent: ****Dec. 24, 1996**

[54] **DOOR JAMB**

4,589,229 5/1986 Warren 49/505

[75] Inventor: **Tony DiGiorgio**, Woodbridge, Canada

Primary Examiner—Doris Clark

[73] Assignee: **Dominion Plastics Inc.**, Woodbridge, Canada

[57] **CLAIM**

[**] Term: **14 Years**

The ornamental design for a door jamb, as shown and described.

[21] Appl. No.: **46,105**

DESCRIPTION

[22] Filed: **Nov. 7, 1995**

[52] U.S. Cl. **D25/124**

FIG. 1 is a perspective view of the door jamb; and,

[58] Field of Search D25/52, 48, 22,
D25/125; 49/504, 505, DIG. 2; 52/204.5,
230.3, 230.4, 230.5

FIG. 2 is an end view of the door jamb.

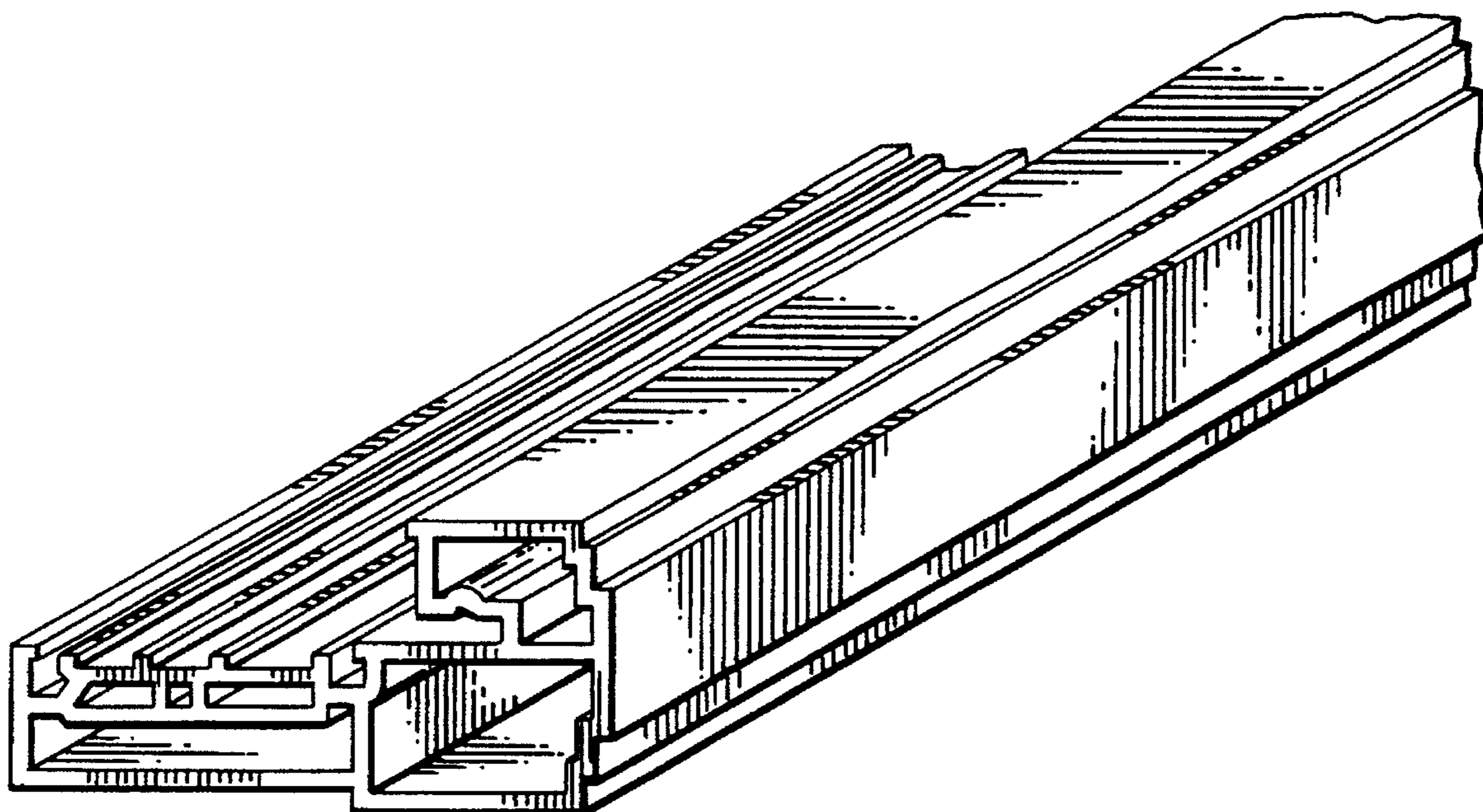
The door jamb is broken away on the end to indicate indeterminate length.

[56] **References Cited**

U.S. PATENT DOCUMENTS

D. 360,267 2/1995 DiGiorgio D25/124

1 Claim, 1 Drawing Sheet



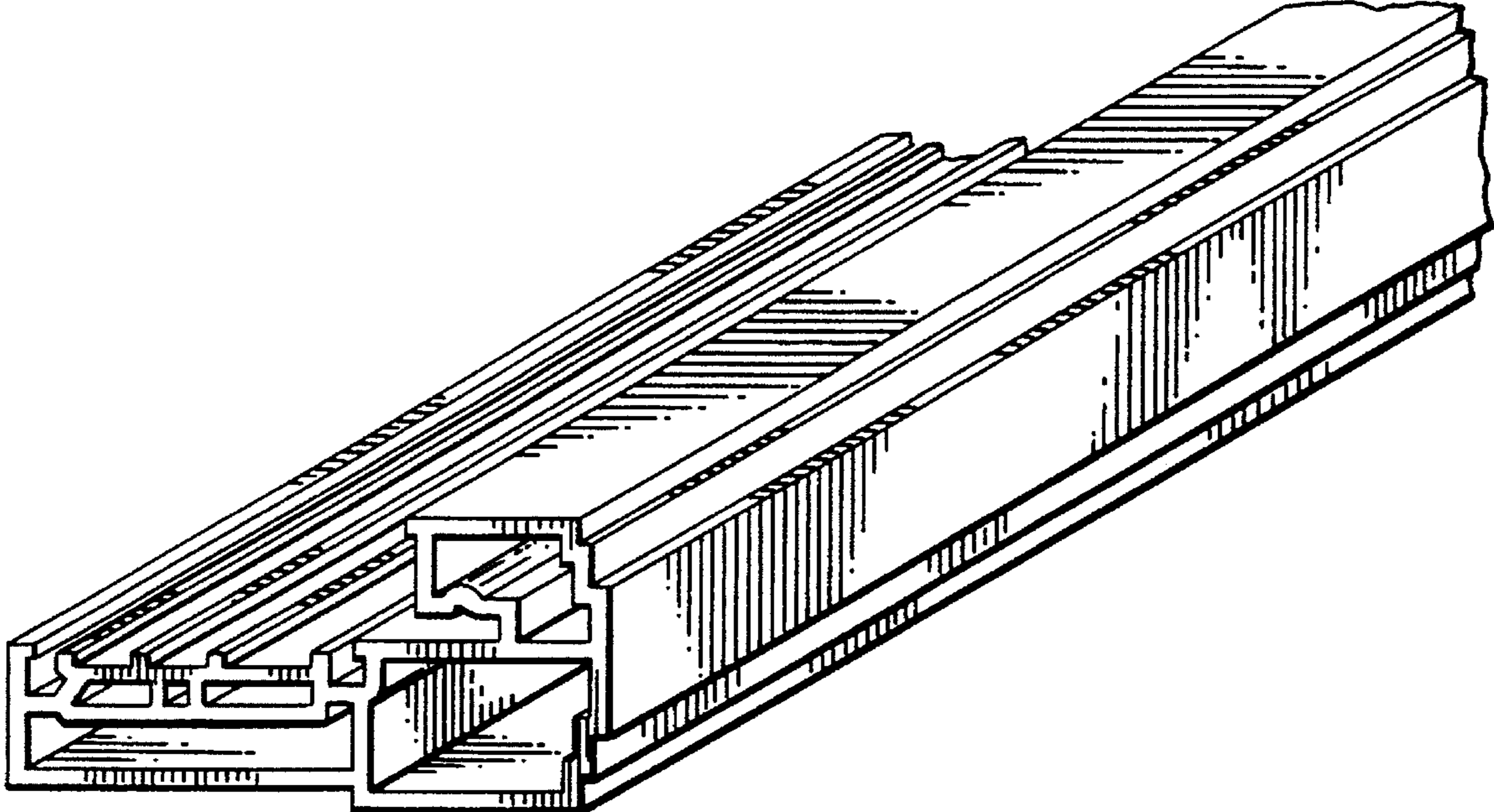


FIG. 1.

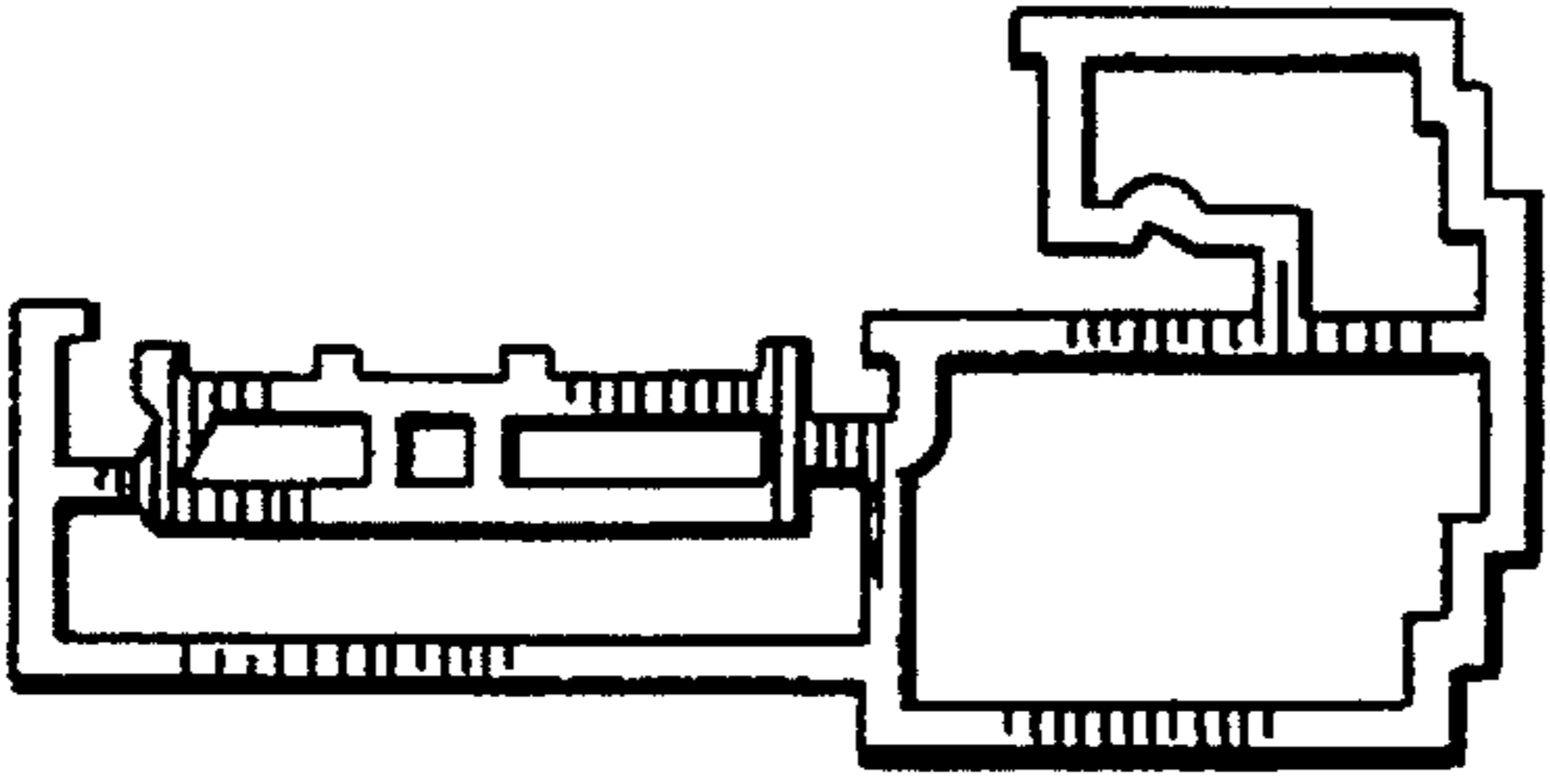


FIG. 2.