



US00D376855S

United States Patent [19]

Leung

[11] Patent Number: **Des. 376,855**

[45] Date of Patent: ****Dec. 24, 1996**

[54] **EXTRUSION**

[76] Inventor: **Kai H. Leung**, 2D Pak Sui Yuen, 17 Science Museum Road, Tsimshatsui, Kowloon, Hong Kong

[**] Term: **14 Years**

[21] Appl. No.: **31,623**

[22] Filed: **Dec. 1, 1994**

[30] **Foreign Application Priority Data**

Jun. 2, 1994 [NZ] New Zealand 25941

[52] U.S. Cl. **D25/124; D25/119**

[58] Field of Search D25/60, 52, 124, D25/125, 122, 136, 119; 49/DIG. 2; 52/204.5, 204.56, 204.51, 730.3, 205, 730.1, 730.4, 730.6, 731.2, 92.2, 716.8; D21/108; 446/124; 4/661

[56] **References Cited**

U.S. PATENT DOCUMENTS

D. 232,893	9/1974	Moretini	D21/108
D. 315,027	2/1991	Abbestam et al.	D25/124
742,549	10/1903	Zeh et al.	52/731.2
3,144,881	8/1964	Sproull	416/124

3,256,671	6/1966	Handley	52/731.2
4,918,765	4/1990	Harding	4/661
5,061,219	10/1991	Glickman	446/124

FOREIGN PATENT DOCUMENTS

198652	10/1986	European Pat. Off.	446/124
2610029	8/1988	France	52/311.1

Primary Examiner—Louis S. Zarfaz
Assistant Examiner—Gynn Andoll
Attorney, Agent, or Firm—Abelman, Frayne & Schwab

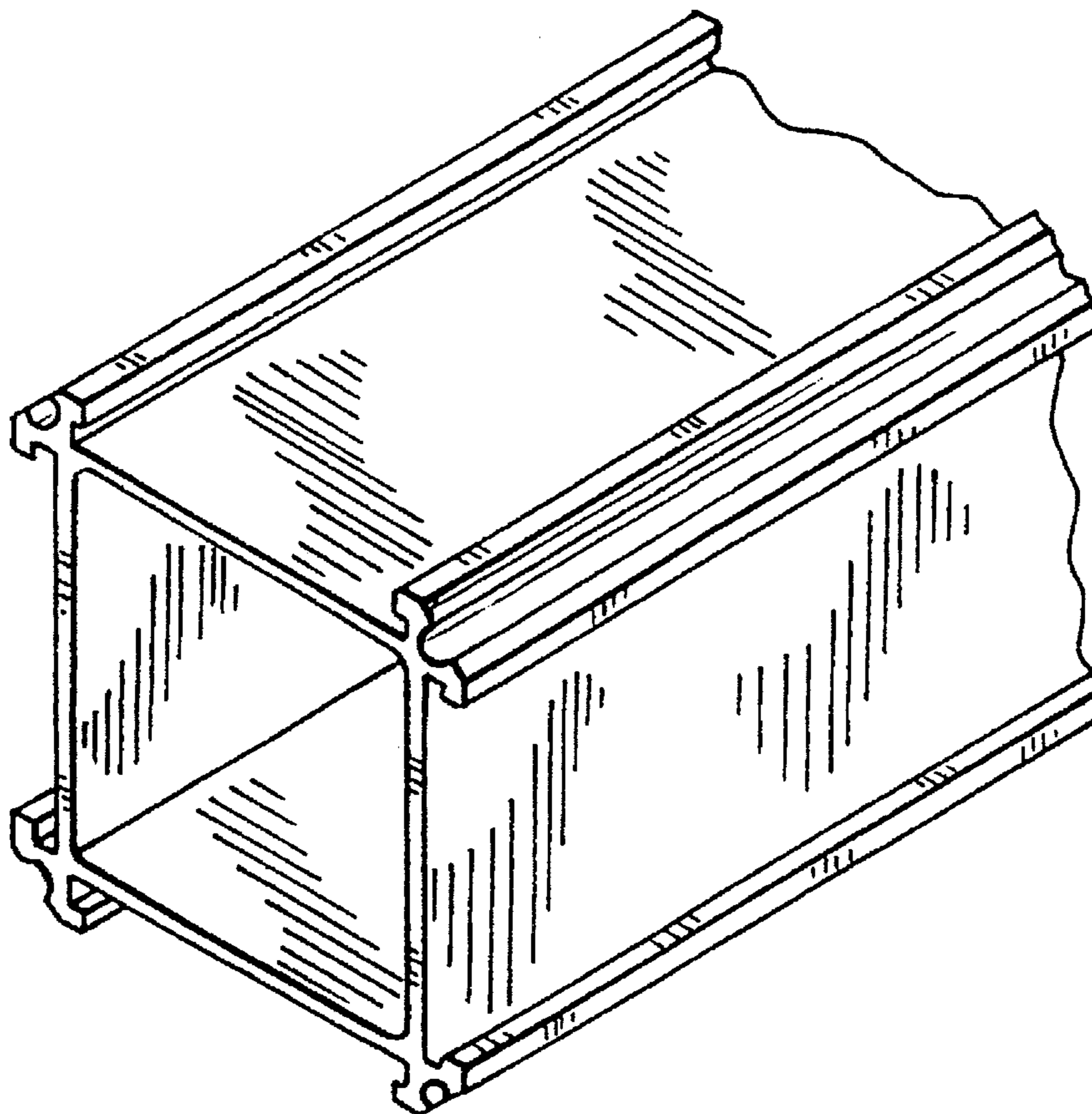
[57] **CLAIM**

The ornamental design for an extrusion, as shown and described.

DESCRIPTION

FIG. 1 is a top plan view of the extrusion, the bottom side being identical to FIG. 1;
FIG. 2 is an end view of the extrusion, the other end being identical to FIG. 2;
FIG. 3 is a side view of the extrusion, the other side being identical to FIG. 3; and,
FIG. 4 is a perspective view of the extrusion.
The extrusion shown is of indeterminate length.

1 Claim, 1 Drawing Sheet



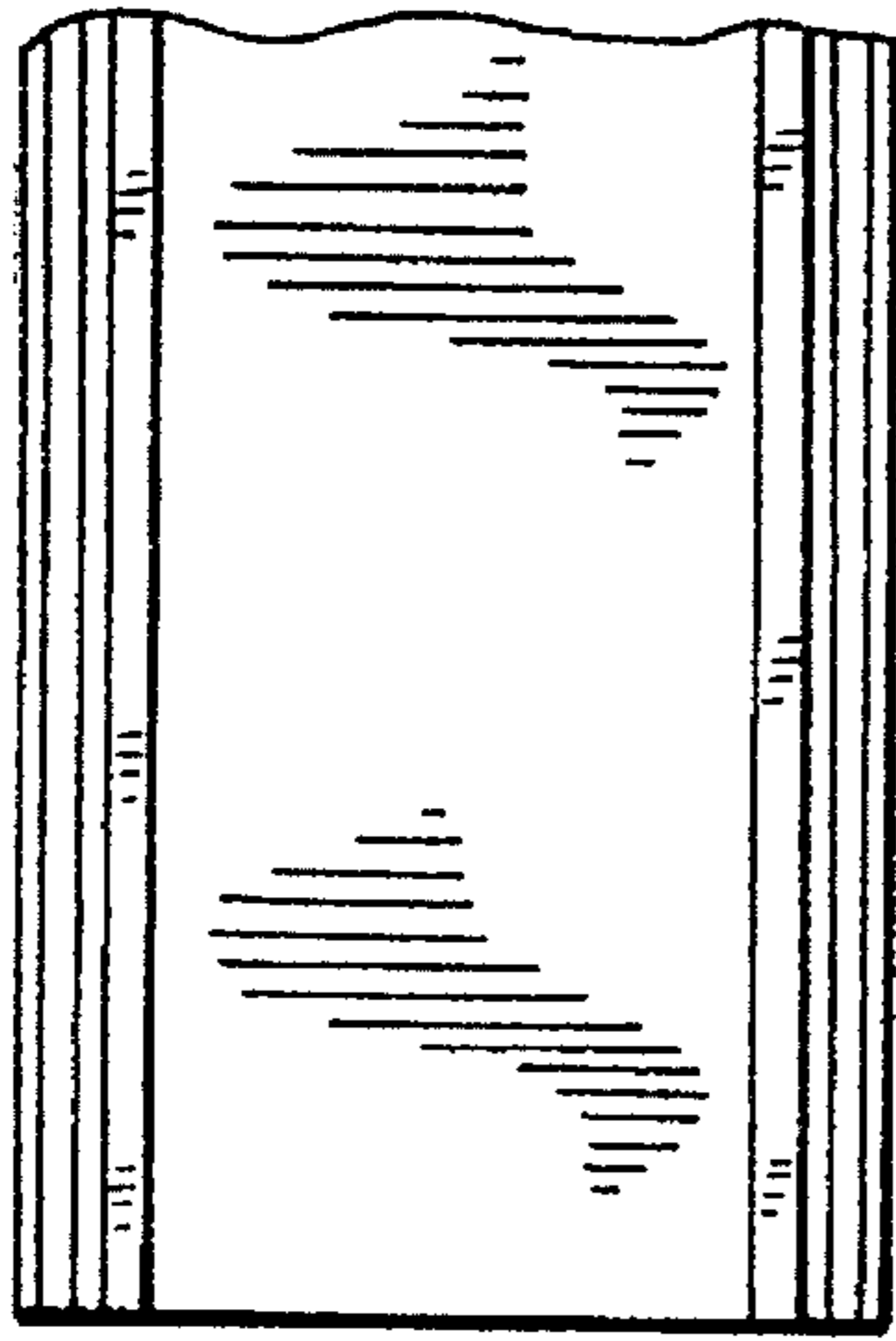


FIG. 1

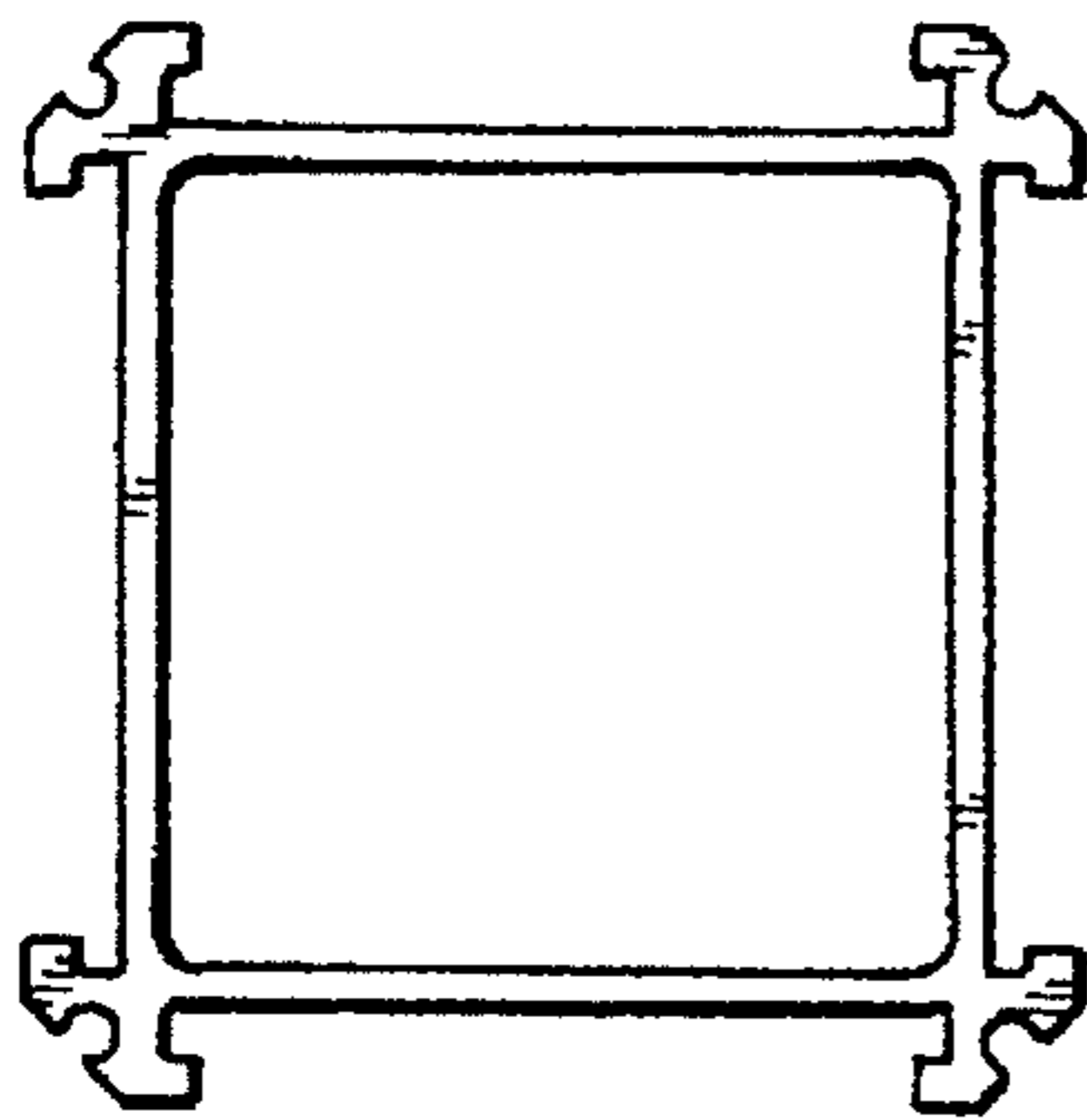


FIG. 2

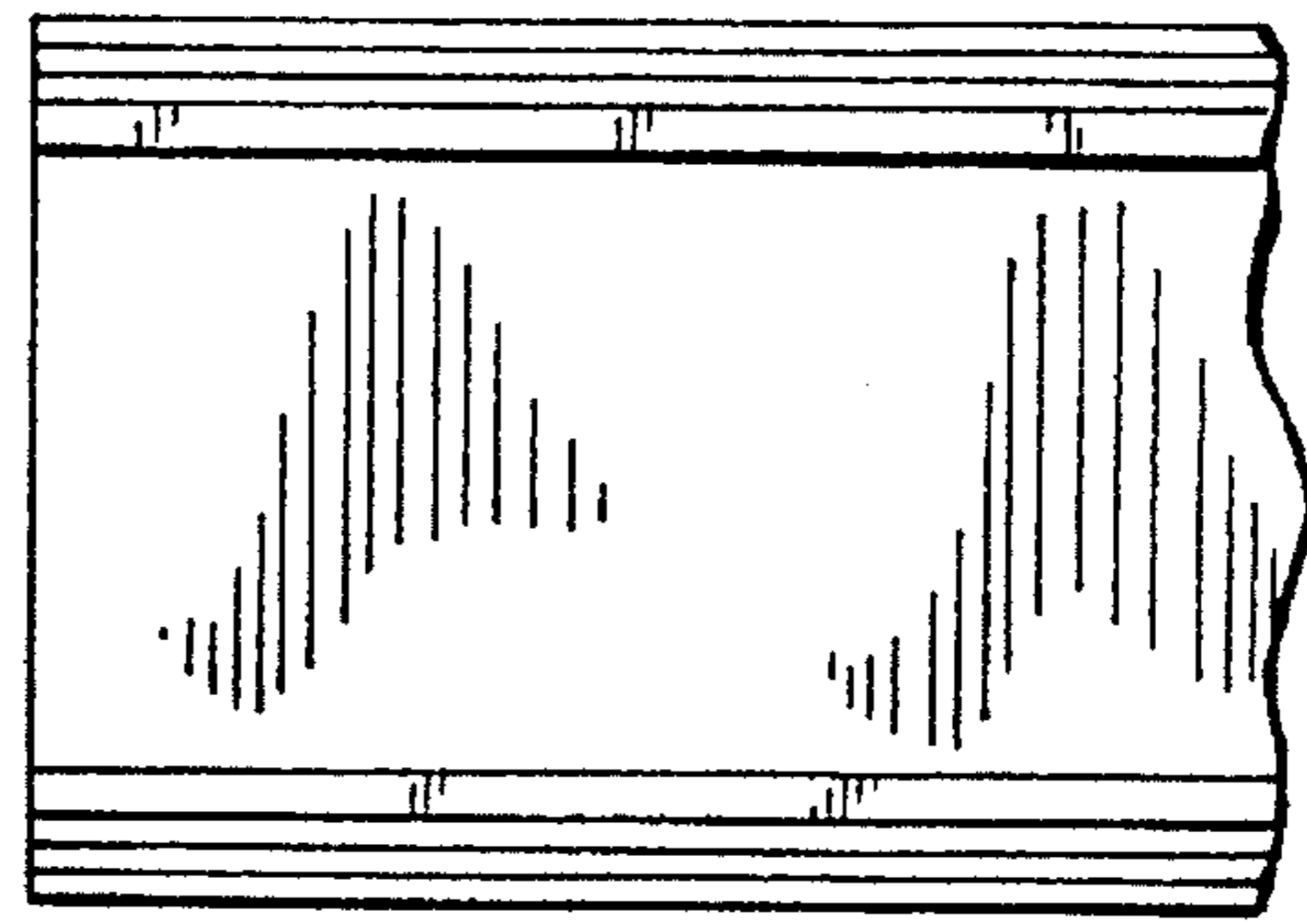


FIG. 3

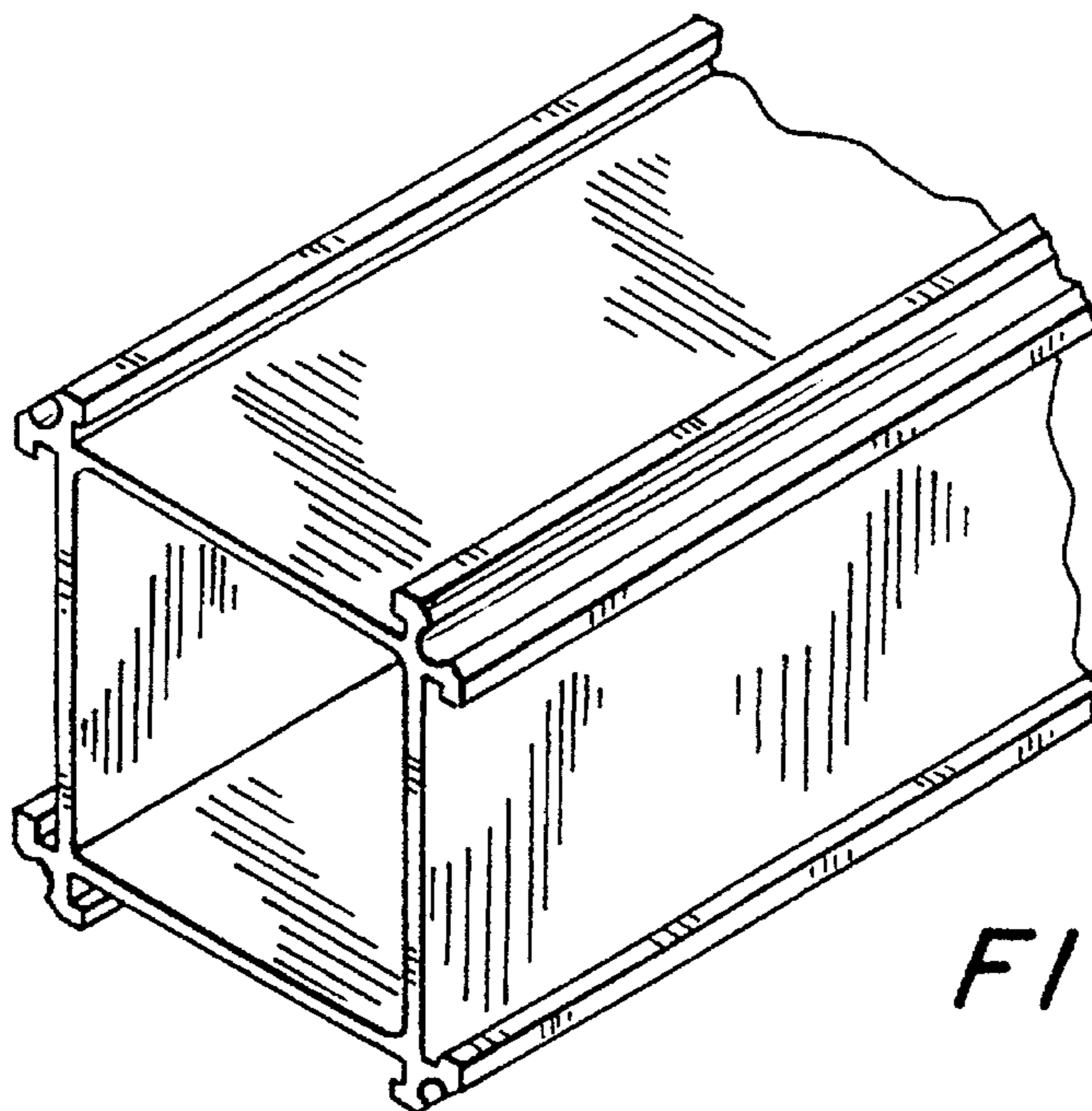


FIG. 4