



US00D376852S

United States Patent [19]

Allen

[11] Patent Number: **Des. 376,852**

[45] Date of Patent: ****Dec. 24, 1996**

[54] **HANDRAIL RIM FOR A SPA**

[75] Inventor: **Don T. Allen**, Norman, Okla.

[73] Assignee: **Mapletree Investments**, Norman, Okla.

[**] Term: **14 Years**

[21] Appl. No.: **13,480**

[22] Filed: **Sep. 24, 1993**

Related U.S. Application Data

[63] Continuation-in-part of Ser. No. 8,143, May 11, 1993.

[52] U.S. Cl. **D24/204**

[58] Field of Search D25/2, 119, 164;
D24/201-205; D23/315; 52/300; 4/660,
524, 526, 527, 576.1, 577.1, 591

[56] References Cited

U.S. PATENT DOCUMENTS

D. 264,626	5/1982	D'Innocente et al.	D25/2 X
D. 278,183	3/1985	Myers	D24/204
D. 294,863	3/1988	Kingsley	D24/204

OTHER PUBLICATIONS

Van Huffel Tube Corporation Catalog, item #2800/109, p. 35 and item #1047/062, p. 34.

Primary Examiner—Stella Reid

Attorney, Agent, or Firm—Wigman, Cohen, Leitner & Myers, P.C.

[57] CLAIM

The ornamental design for a handrail rim for a spa, as shown and described.

DESCRIPTION

FIG. 1 is a perspective view of a first embodiment of a handrail rim for a spa, showing my new design;

FIG. 2 is a perspective view of a second embodiment of the handrail rim for a spa, showing my new design;

FIG. 3 is a perspective view of a third embodiment of the handrail rim for a spa, showing my new design;

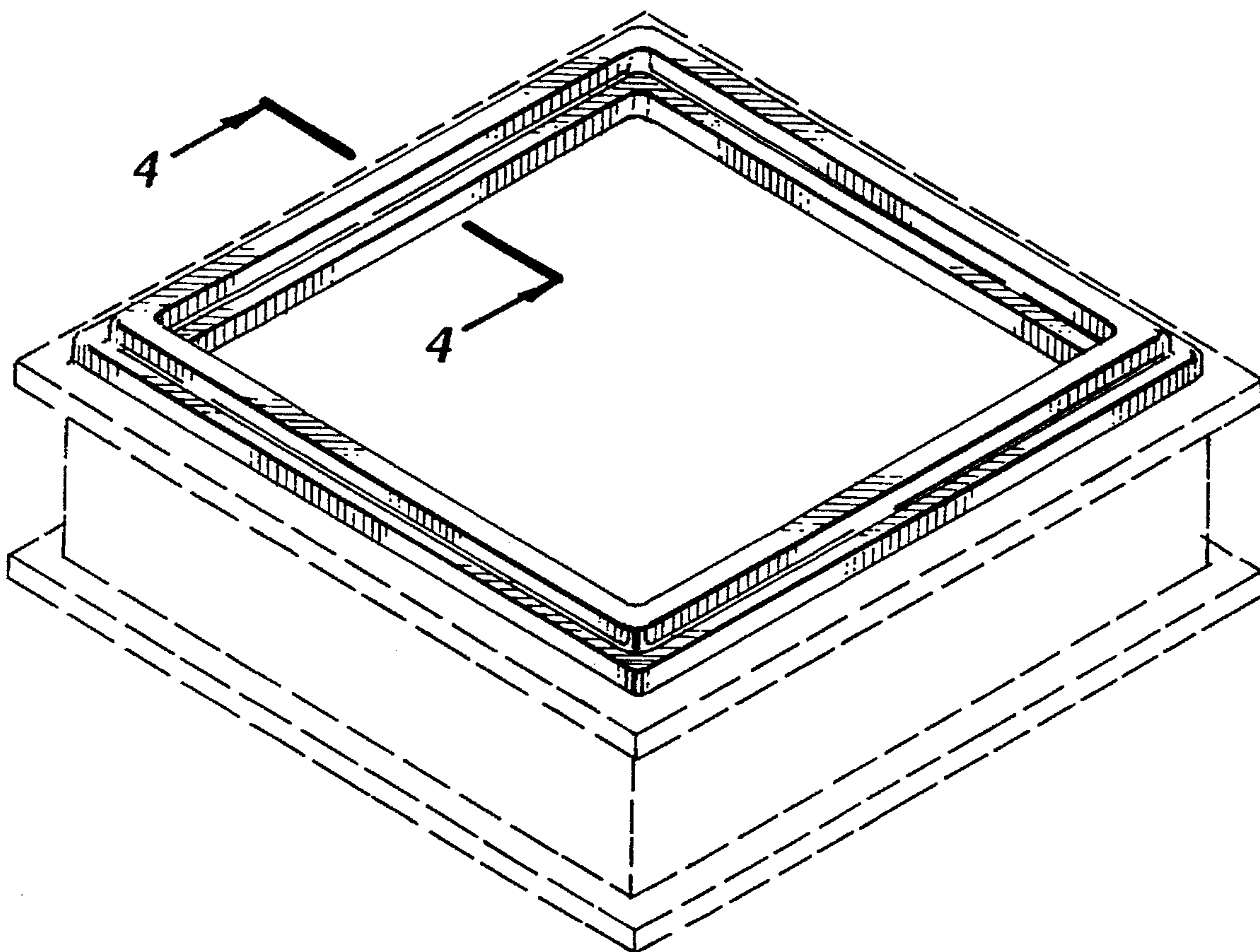
FIG. 4 is a cross-sectional view taken along line 4—4 of FIG. 1; and,

FIG. 5 is a cross-sectional view taken along line 5—5 of FIG. 2.

The broken lines shown in the figures are for illustrative purposes only and form no part of the claimed design.

The characteristic feature of my design resides in the profile of the handrail rim.

1 Claim, 2 Drawing Sheets



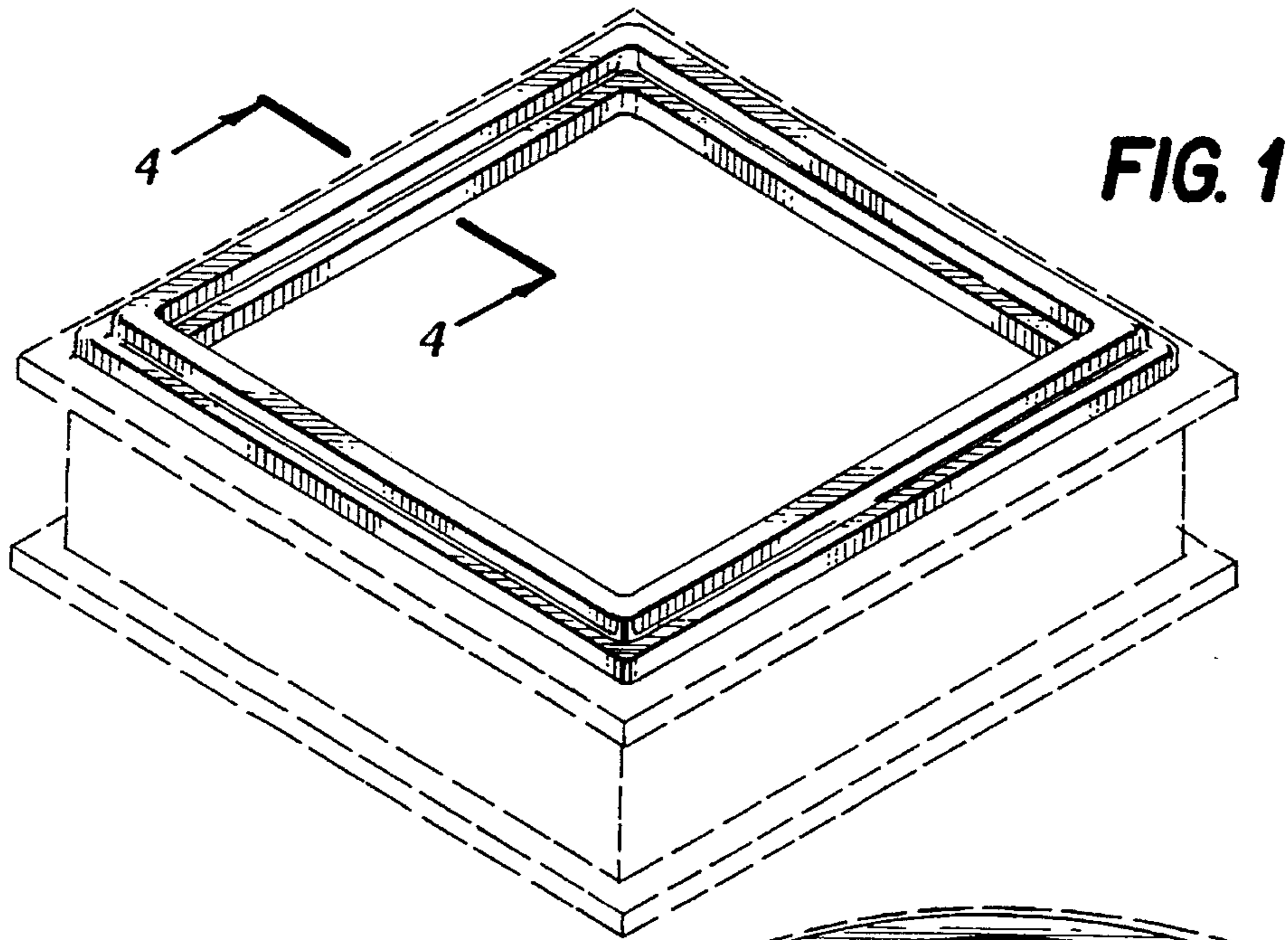


FIG. 1

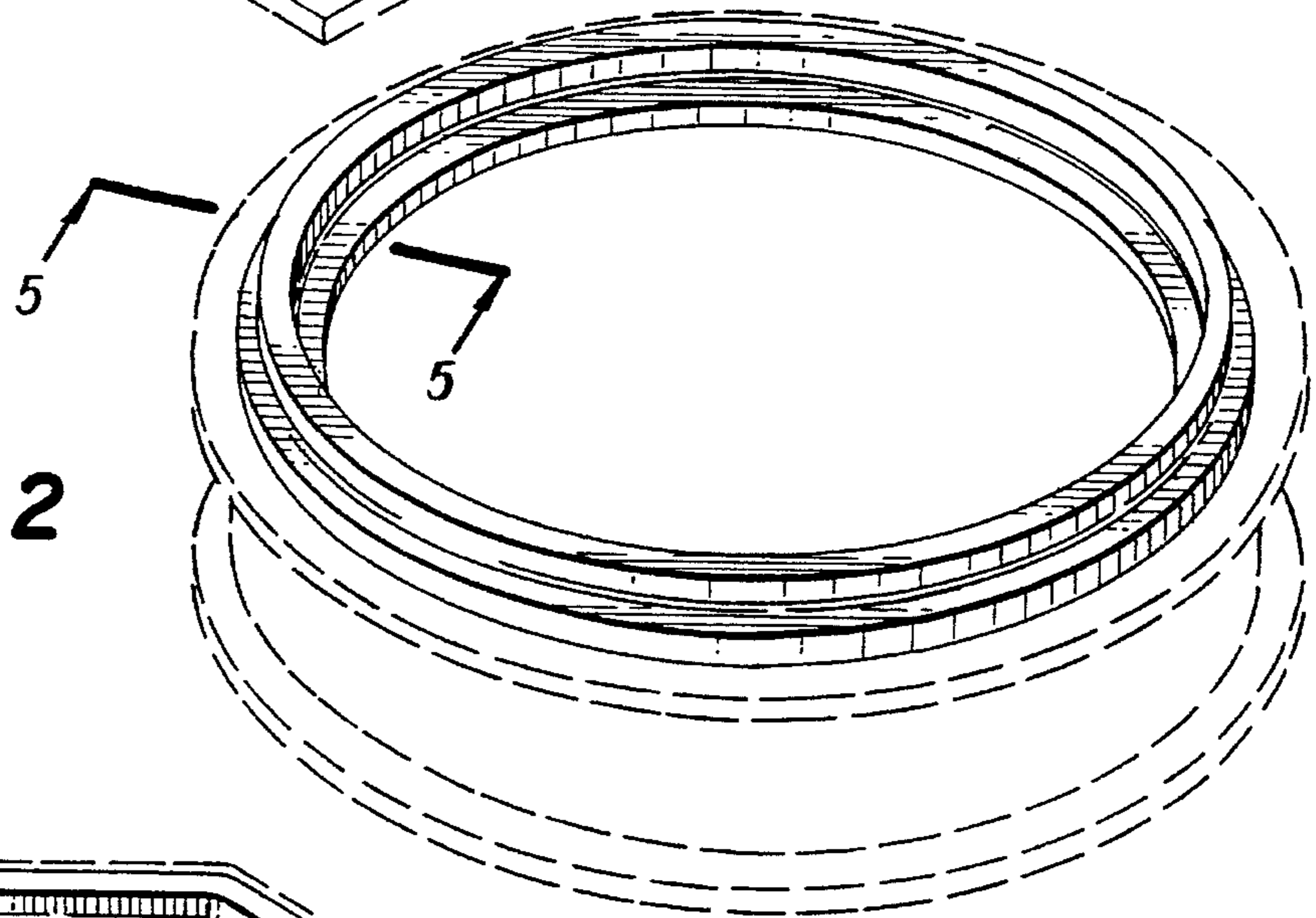


FIG. 2

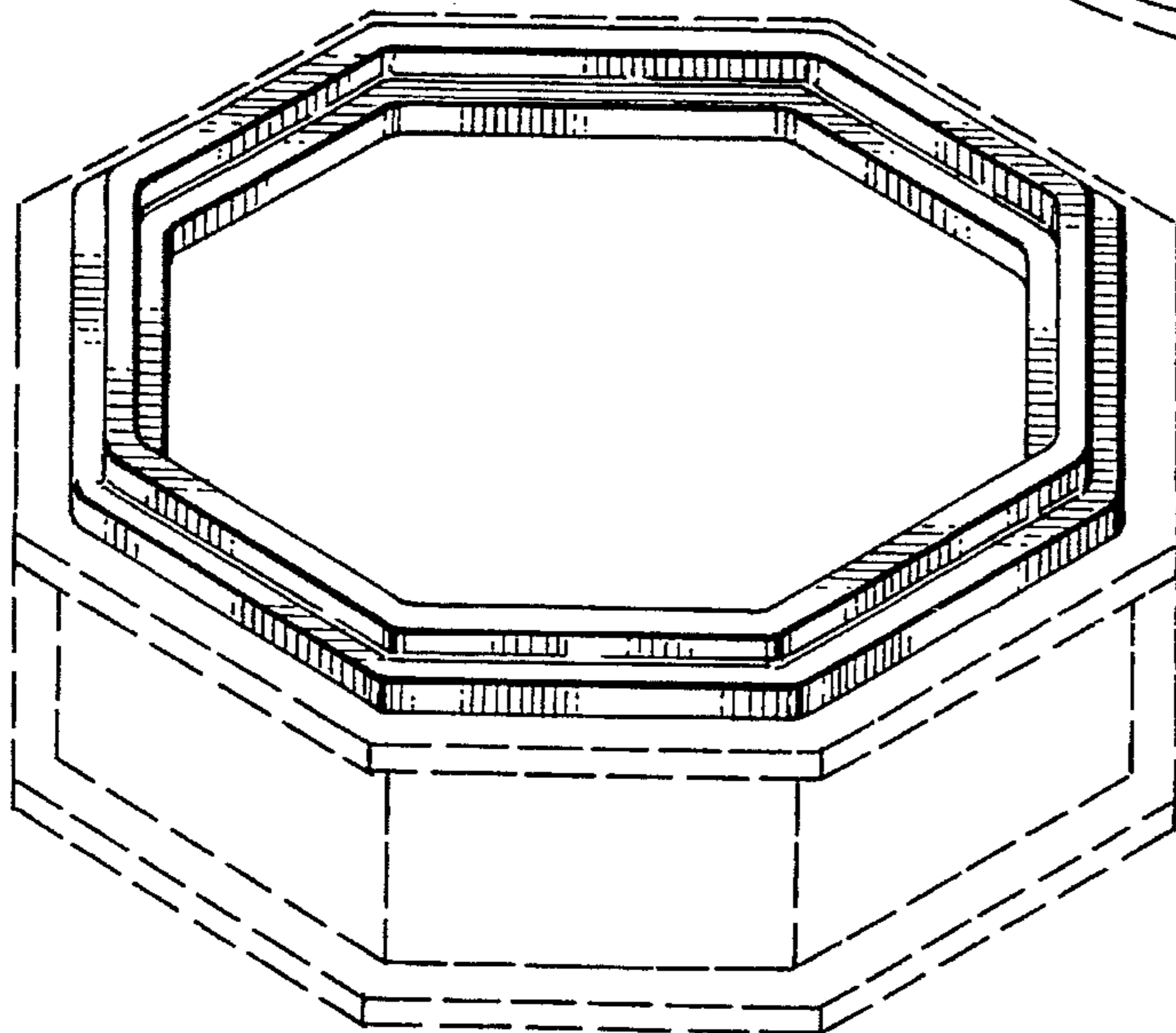


FIG. 3

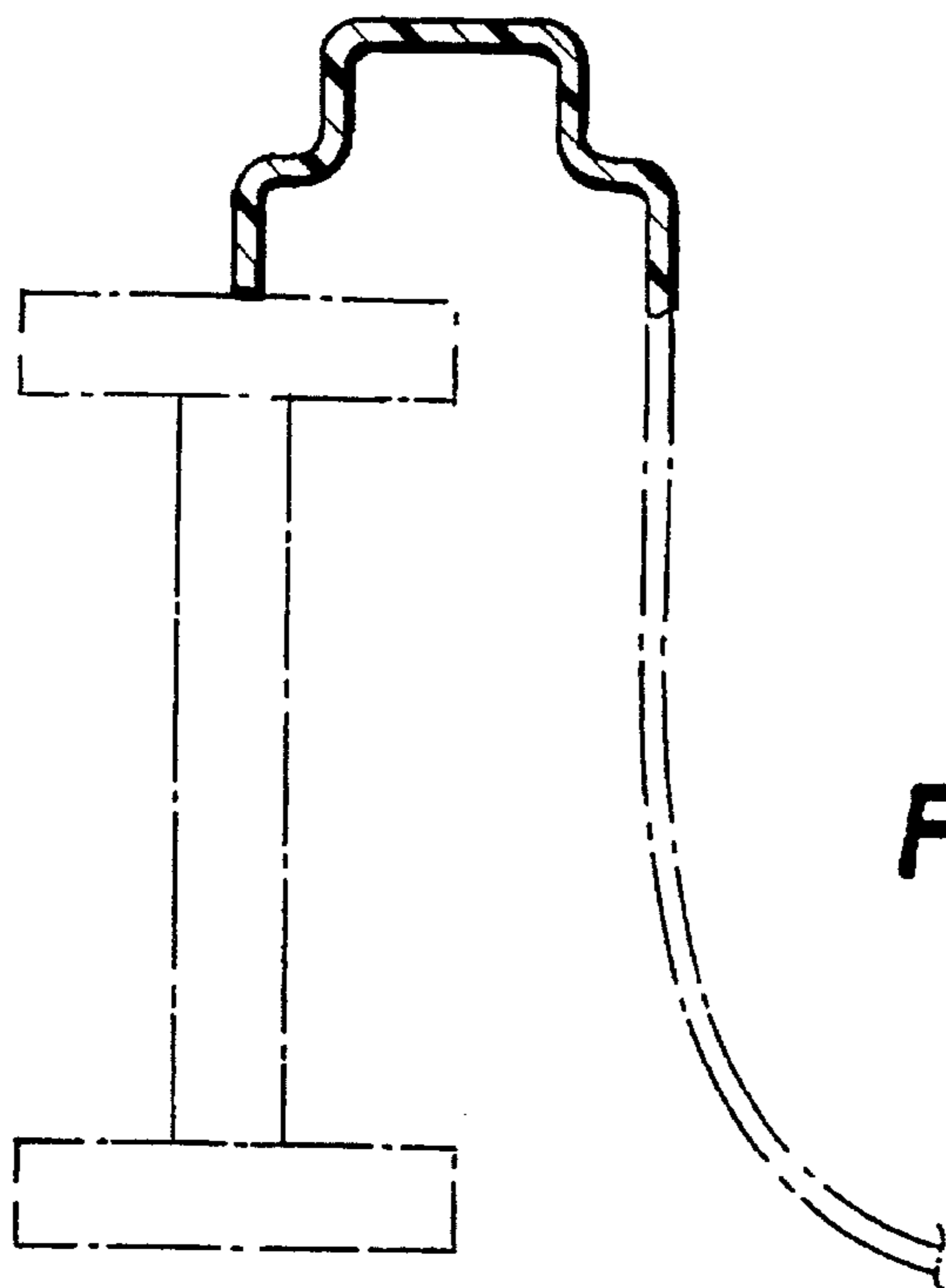


FIG. 4

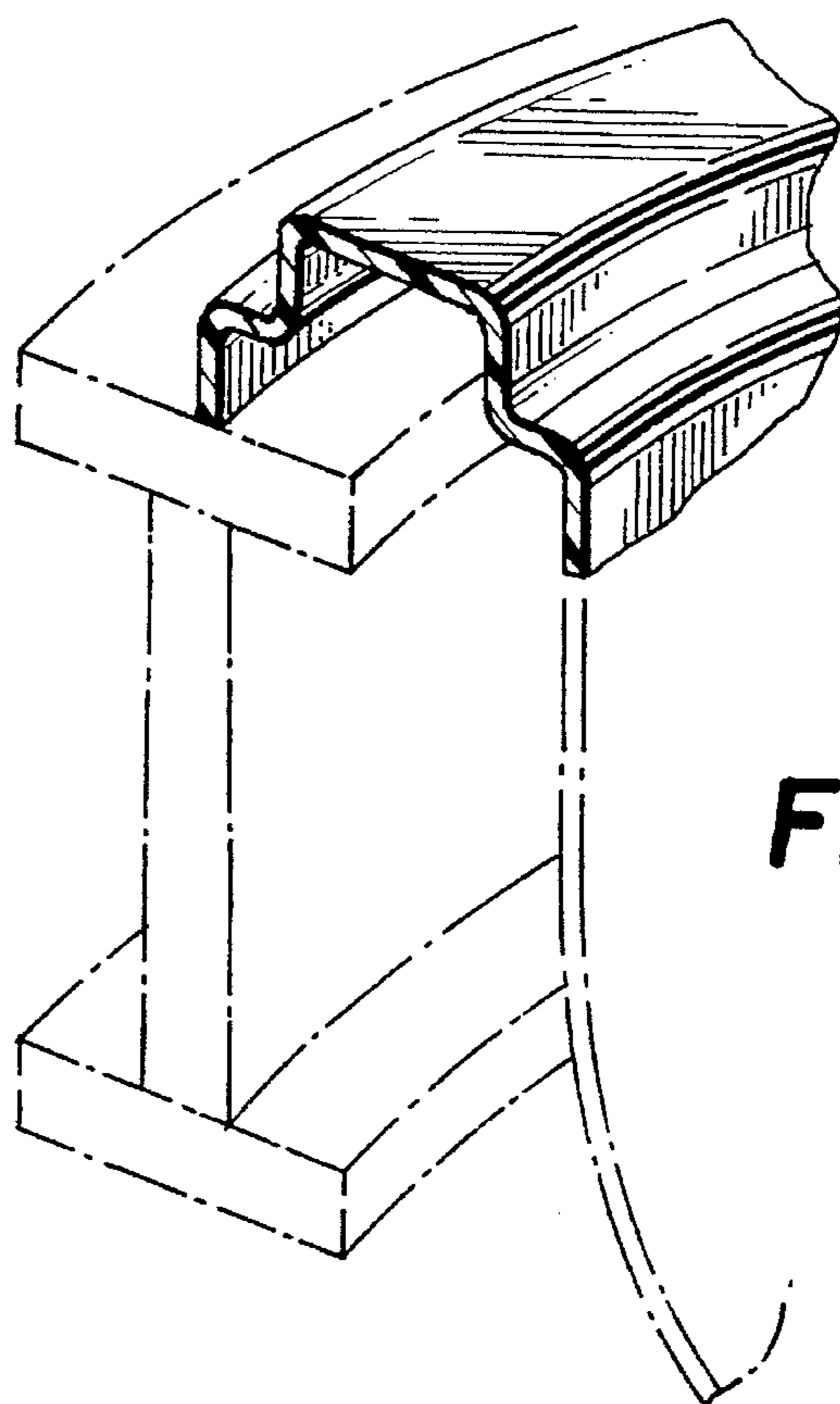


FIG. 5