



US00D376851S

United States Patent [19]

[11] **Patent Number: Des. 376,851**

Brown et al.

[45] **Date of Patent: **Dec. 24, 1996**

[54] **EXPANDER DEVICE**

Primary Examiner—Stella Reid

[75] Inventors: **Lawrence A. Brown**, Pekin, Ind.;
Karen L. Bonn, Brandenburg, Ky.

Attorney, Agent, or Firm—Middleton & Reutlinger; James C. Eaves, Jr.

[73] Assignee: **Restorative Medical, Inc.**,
Brandenburg, Ky.

[57] **CLAIM**

[**] Term: **14 Years**

The ornamental design for an expander device, as shown and described.

[21] Appl. No.: **48,505**

DESCRIPTION

[22] Filed: **Dec. 29, 1995**

[52] U.S. Cl. **D24/190**

[58] Field of Search D24/190, 192;
602/24, 23, 25, 26

FIG. 1 is a front left side perspective view of an expander device, showing our new design;

FIG. 2 is a front view of the expander device of FIG. 1, the back view being identical thereto;

FIG. 3 is a left side view of the expander device of FIG. 1, the right side view being identical thereto;

FIG. 4 is a top side view of the expander device of FIG. 1, the bottom side view being identical thereto; and,

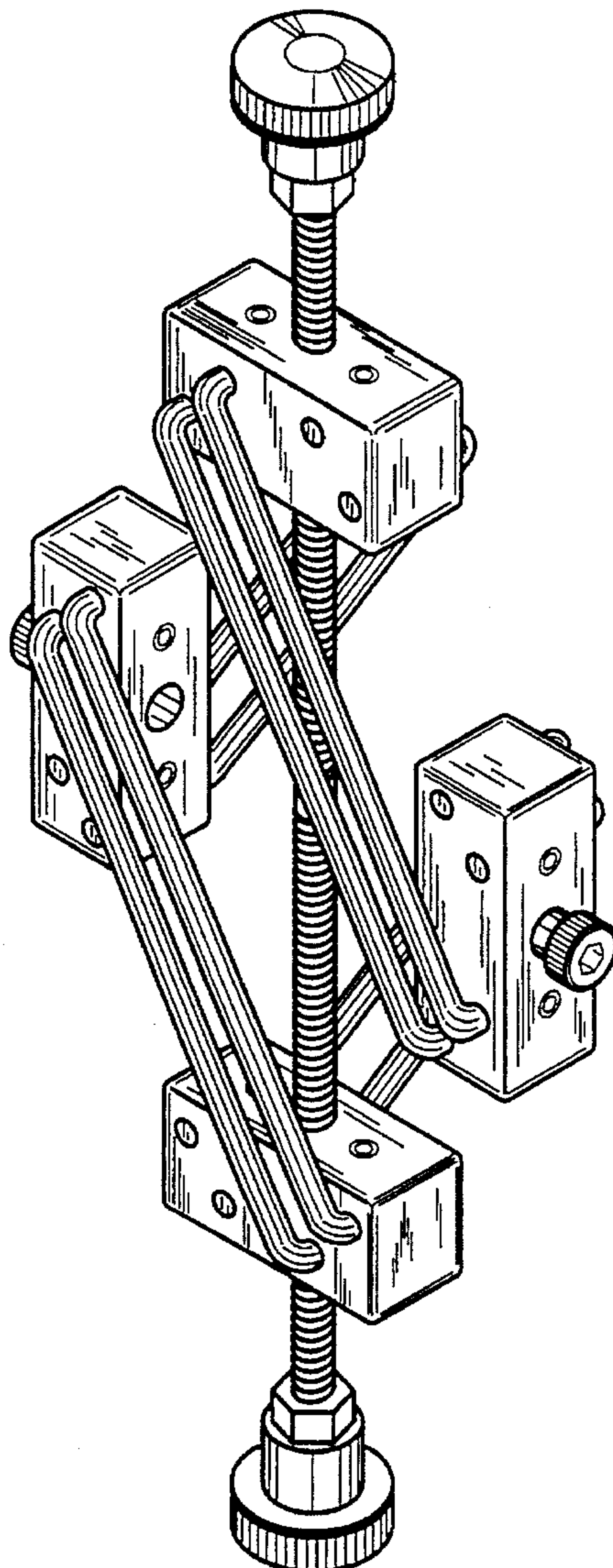
FIG. 5 is a front view in use condition, the broken line showing is for illustrative purposes only and forms no part of the claimed design.

[56] **References Cited**

U.S. PATENT DOCUMENTS

D. 266,948	11/1982	Kvittingen	D24/190
3,068,862	12/1962	Fuzere	602/24
4,203,433	5/1980	Prahl	602/24

1 Claim, 2 Drawing Sheets



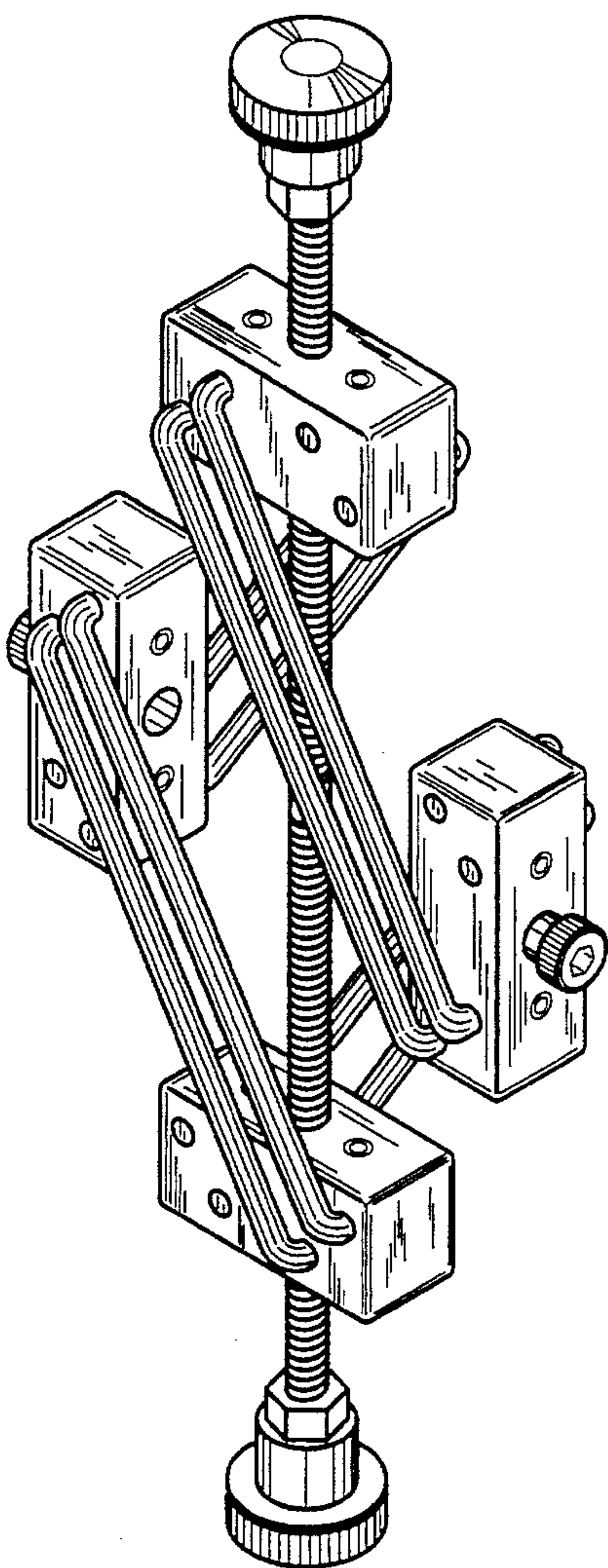


FIG. 1

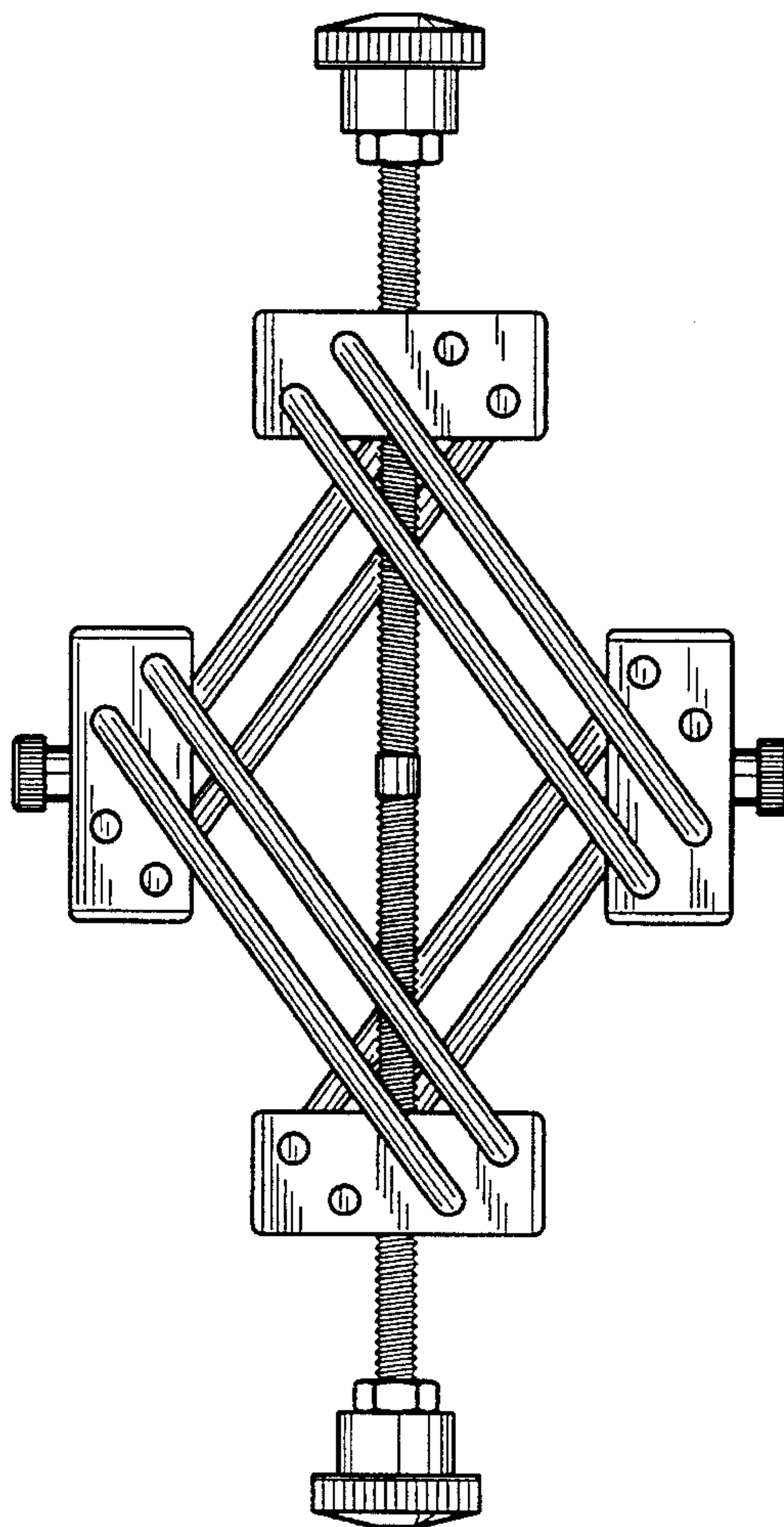


FIG. 2

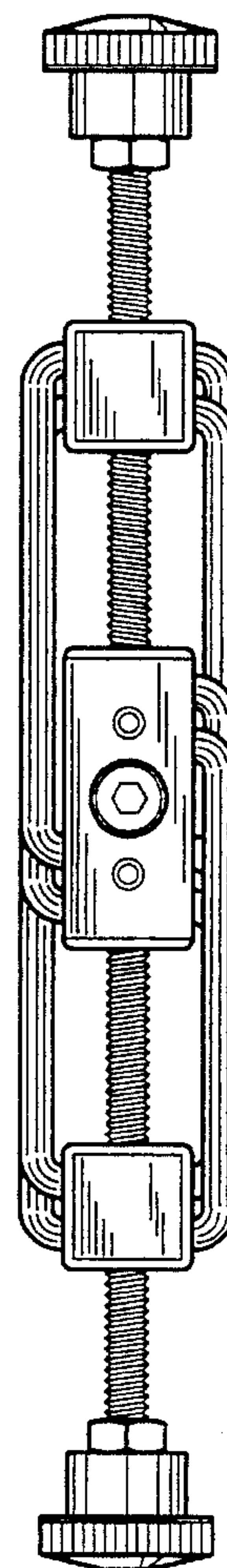


FIG. 3

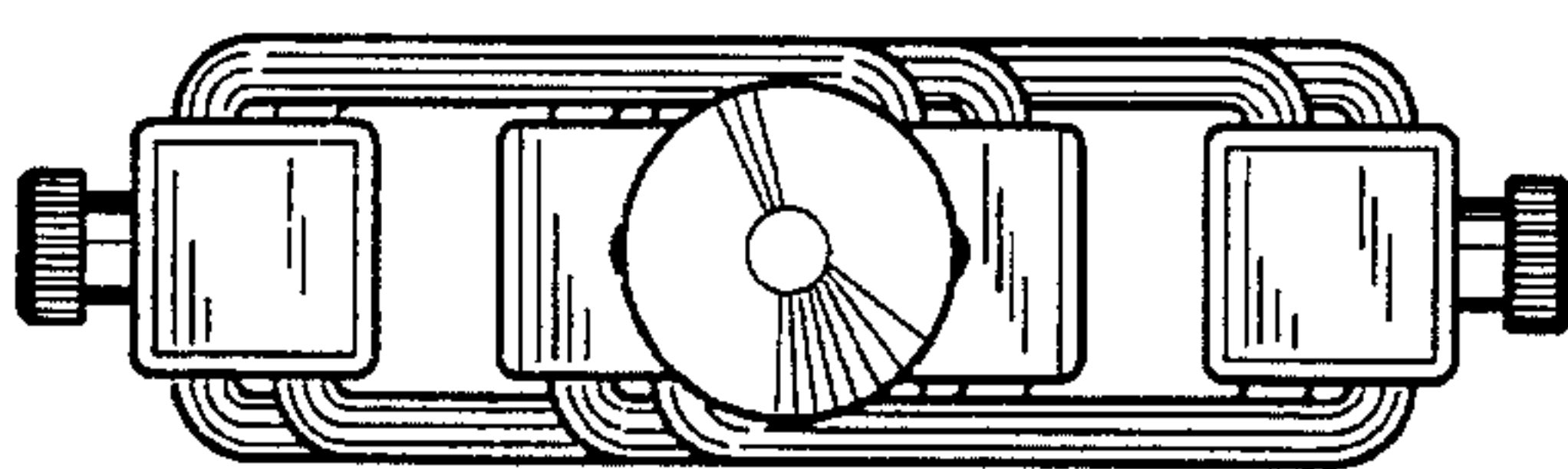


FIG. 4

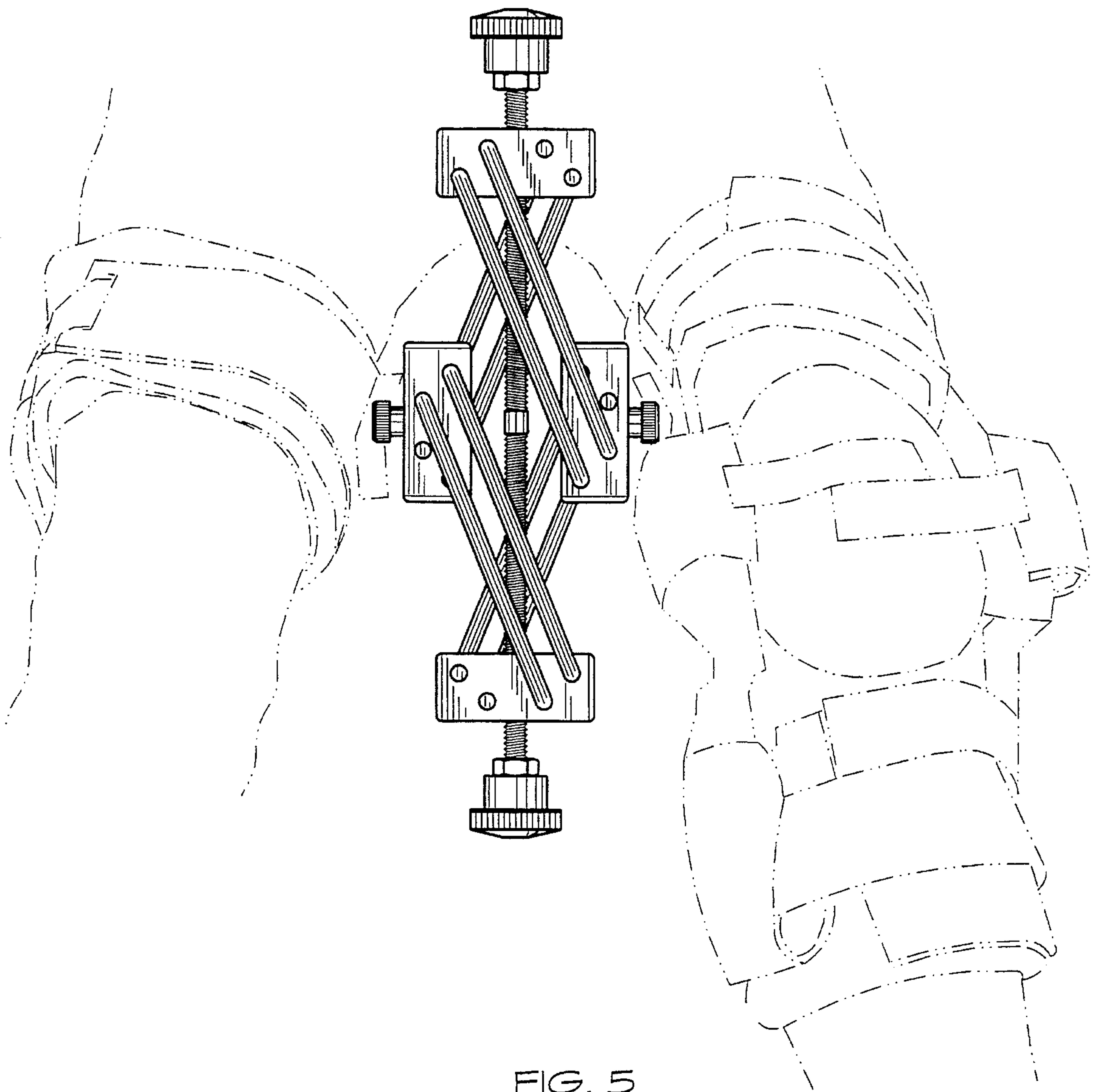


FIG. 5