



US00D376847S

# United States Patent [19]

[11] Patent Number: **Des. 376,847**

Alden et al.

[45] Date of Patent: **\*\*Dec. 24, 1996**

[54] PHARMACEUTICAL TABLET

[75] Inventors: **Martin R. Alden; Alexander McCall**,  
both of Dartford, England

[73] Assignee: **Burroughs Wellcome Co.**, Research  
Triangle Park, N.C.

[\*\*] Term: **14 Years**

[21] Appl. No.: **2,757**

[22] Filed: **Dec. 21, 1992**

### [30] Foreign Application Priority Data

Jun. 30, 1992 [GB] United Kingdom ..... 2023937

[52] U.S. Cl. .... **D24/101**

[58] Field of Search ..... D24/100-4; 424/451,  
424/457, 464, 468-9, 470, 472, 474; D28/8.1,  
8.2; D1/100, 106, 115, 121, 127-8, 130,  
199

### [56] References Cited

#### U.S. PATENT DOCUMENTS

25,934	8/1896	Kolb .....	D1/121
32,718	5/1900	Kimmell .....	D24/101 X
54,213	11/1919	Hang .....	D1/121 X
D. 117,043	10/1939	Huber .....	D1/128
D. 275,803	10/1984	Beychok et al. ....	D24/103 X
D. 286,919	11/1986	Flockhart .	
D. 299,275	1/1989	Ott .	
D. 310,579	9/1990	Ni et al. ....	D24/103
D. 316,616	4/1991	Leslie et al. ....	D24/101
4,215,104	7/1980	Ullman et al. ....	D24/103 X

#### FOREIGN PATENT DOCUMENTS

Des. 61669	10/1972	Australia .
Des. 90972	9/1985	Australia .
Des. 101896	11/1988	Australia .
Des. 101897	11/1988	Australia .
Des. 108972	9/1990	Australia .
Des. 111915	8/1991	Australia .
Des. 48150	1/1981	Canada .
Des. 57735	3/1986	Canada .
Des. 834238	1/1984	France .
Des. 856127	1/1987	France .
2224390	12/1973	Germany .

Des. 23674	2/1980	Germany .
2834226	3/1980	Germany .
Des. 23664	12/1984	Germany .
Des. 24549	7/1985	Germany .
329055	4/1971	Japan .
508547	8/1979	Japan .
538262	8/1980	Japan .
686484	9/1986	Japan .
702577	4/1987	Japan .
Des. 36855	4/1986	Sweden .
Des. 19277	3/1991	Sweden .
DM/000213	6/1980	WIPO .
DM/007721	11/1985	WIPO .
DM/007722	12/1985	WIPO .
DM/010438	3/1988	WIPO .
DM/020828	10/1991	WIPO .

### OTHER PUBLICATIONS

Hornung, C., Handbook of Designs and Devices, "The Quatrefoil," p. 24 (1946).  
 Physicians Desk Reference 34th Edition, Product Identification: Lilly, Zentron Chewable, p. 416 (1980).  
 Physicians Desk Reference 45th Edition, Product Identification: Burroughs Wellcome, Muran, p. 407 (1991).  
 Physicians Desk Reference 46th Edition, pp. 406, 407, 408, 415, 416, 418, 419, 420 (1992).

*Primary Examiner*—Melanie H. Tung  
*Attorney, Agent, or Firm*—Donald Brown; Lawrence A. Nielsen

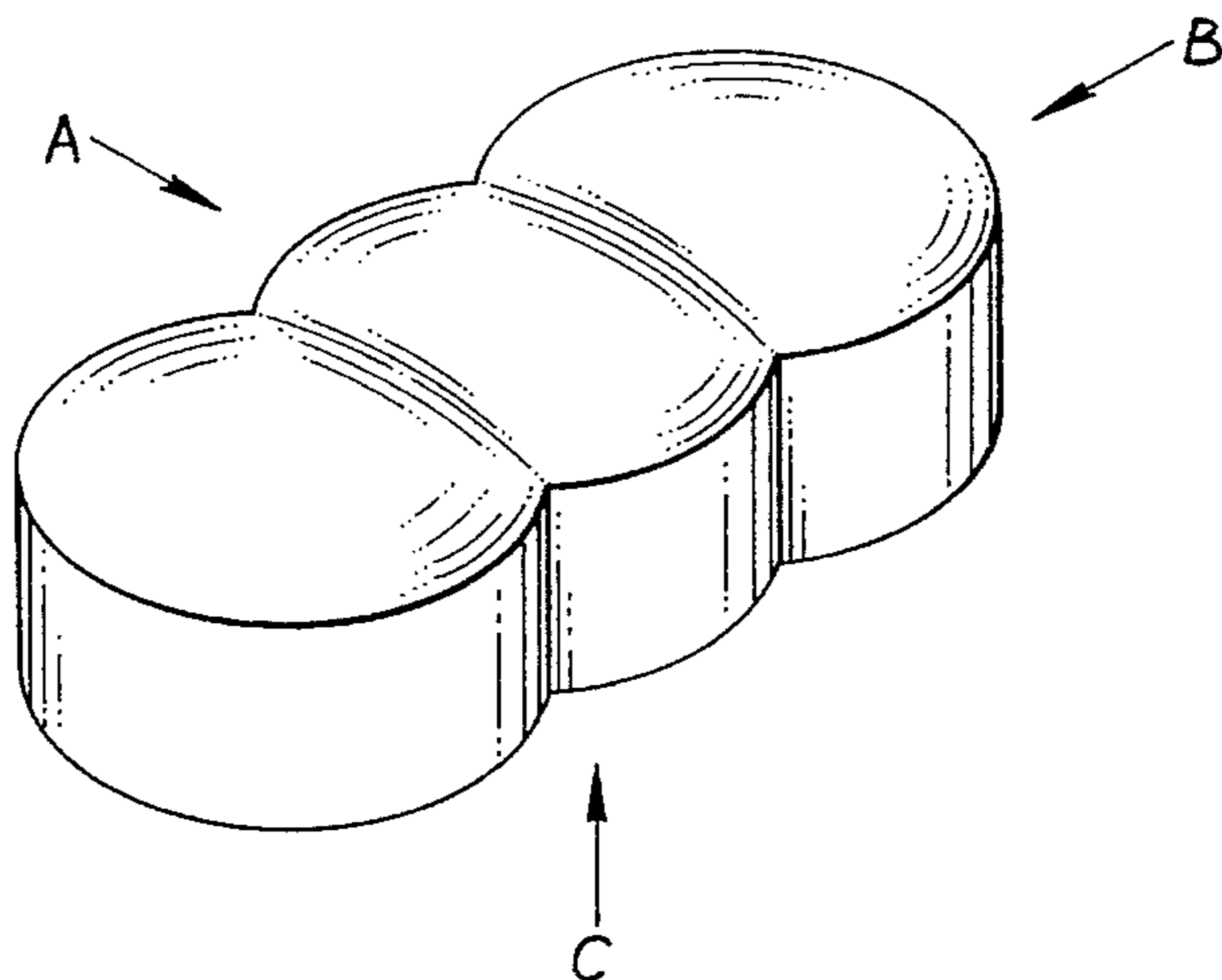
### [57] CLAIM

The ornamental design for a pharmaceutical tablet, as shown and described.

### DESCRIPTION

FIG. 1 is a perspective view from above of the pharmaceutical tablet showing our design;  
 FIG. 2 is a side elevational view thereof, the opposite side elevational view being identical;  
 FIG. 3 is an end elevational view thereof, the opposite end elevational view being identical; and,  
 FIG. 4 is an underneath plan view thereof, the top plan view being identical.

1 Claim, 1 Drawing Sheet



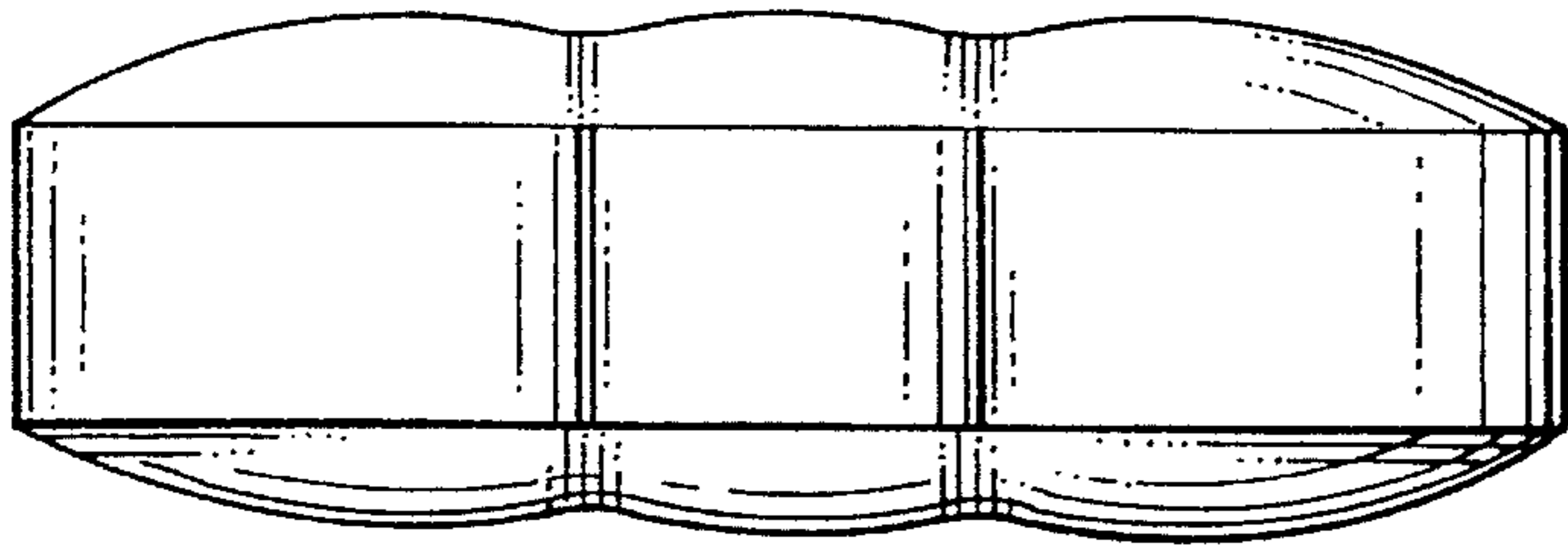
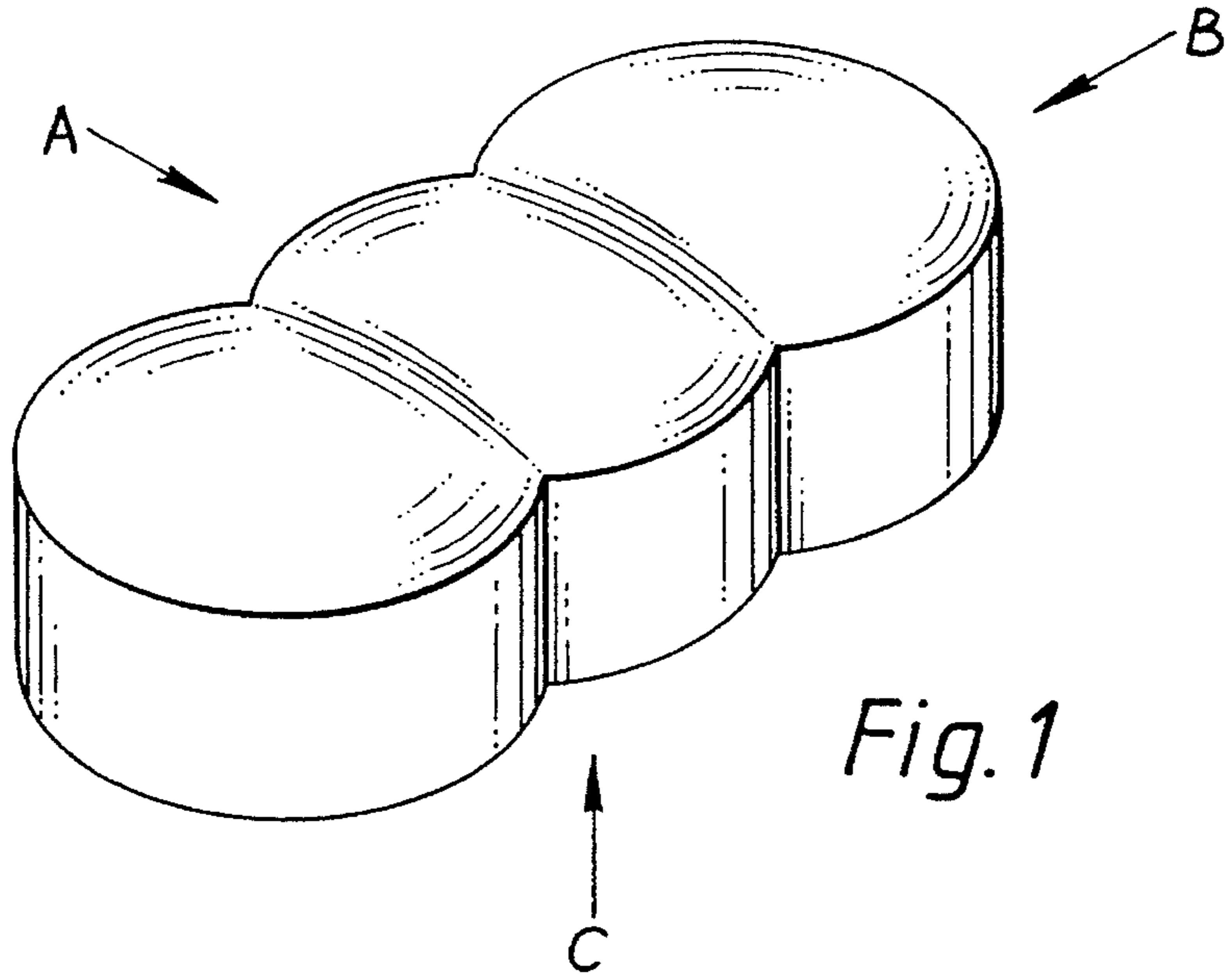


Fig. 2

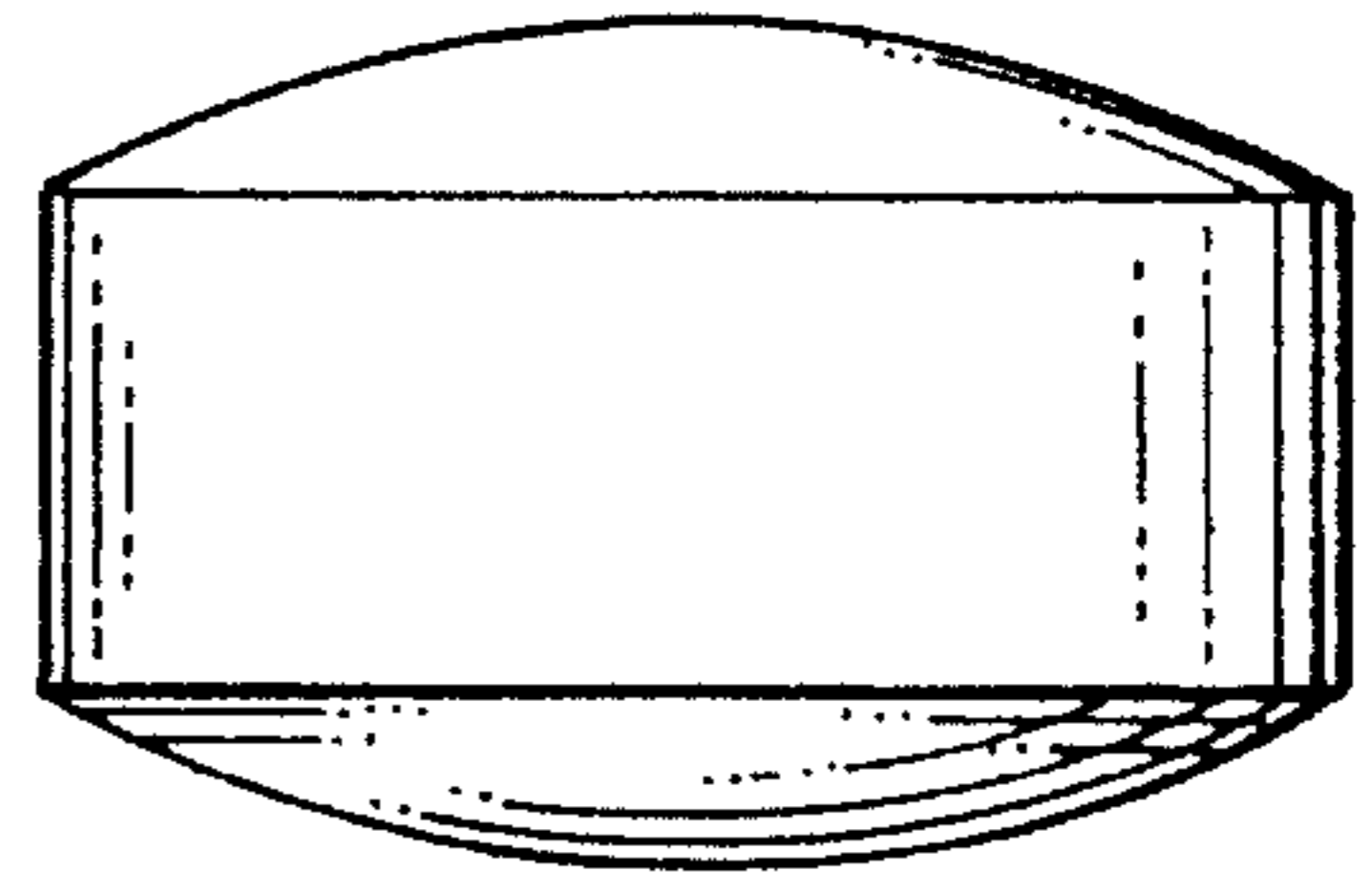


Fig. 3

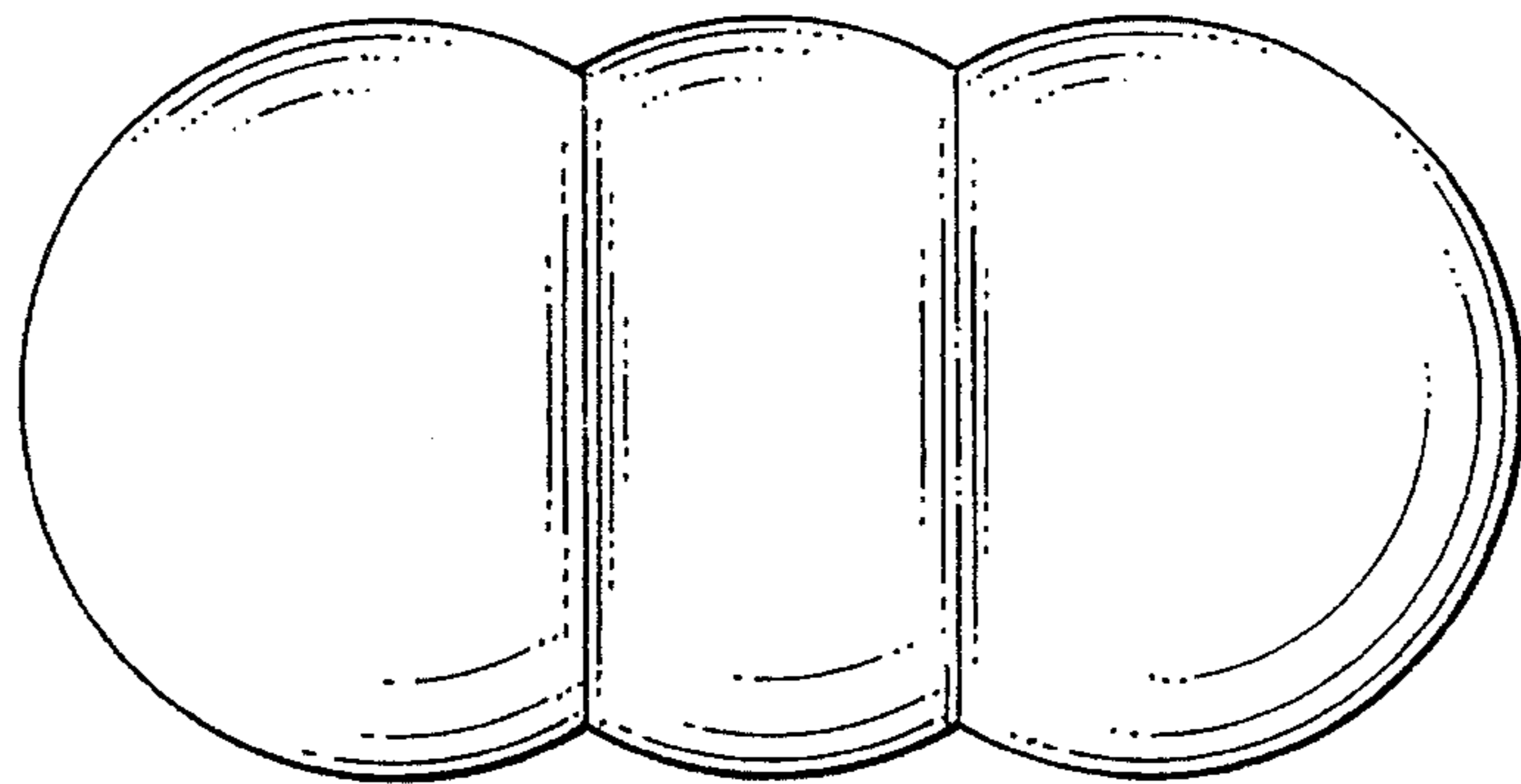


Fig. 4