



US00D376844S

United States Patent [19]

[11] Patent Number: **Des. 376,844**

Hester et al.

[45] Date of Patent: ****Dec. 24, 1996**

[54] **FORCED AIR VENT**

4,639,017 1/1987 Domas 285/179
5,509,445 4/1996 Couet 137/533.11

[76] Inventors: **Thomas Hester; Cindy Hester; Wayne Price; Pam Price**, all of Rte. 1, Box 30, Sharon, Tenn. 38255

Primary Examiner—Lisa P. Lichtenstein
Attorney, Agent, or Firm—Harold H. Dutton, Jr.; W. Charles L. Jamison; Diane F. Liebman

[**] Term: **14 Years**

[57] **CLAIM**

[21] Appl. No.: **50,435**

The ornamental design for a forced air vent, as shown.

[22] Filed: **Feb. 20, 1996**

DESCRIPTION

[52] U.S. Cl. **D23/393; D23/387**

[58] Field of Search D23/386, 387,
D23/393, 370; 454/347, 353, 359; 137/533.11;
285/179

FIG. 1 is a perspective view of a forced air vent showing our new design;

FIG. 2 is a right side view thereof;

FIG. 3 is a left side view thereof;

FIG. 4 is a front view thereof;

FIG. 5 is a rear view thereof;

FIG. 6 is a bottom view thereof; and,

FIG. 7 is a top view thereof.

[56] **References Cited**

U.S. PATENT DOCUMENTS

2,865,390 12/1958 Bowen et al. 137/533.11
4,314,583 2/1982 Peterson 137/533.11
4,624,176 11/1986 Steinke 454/359

1 Claim, 4 Drawing Sheets

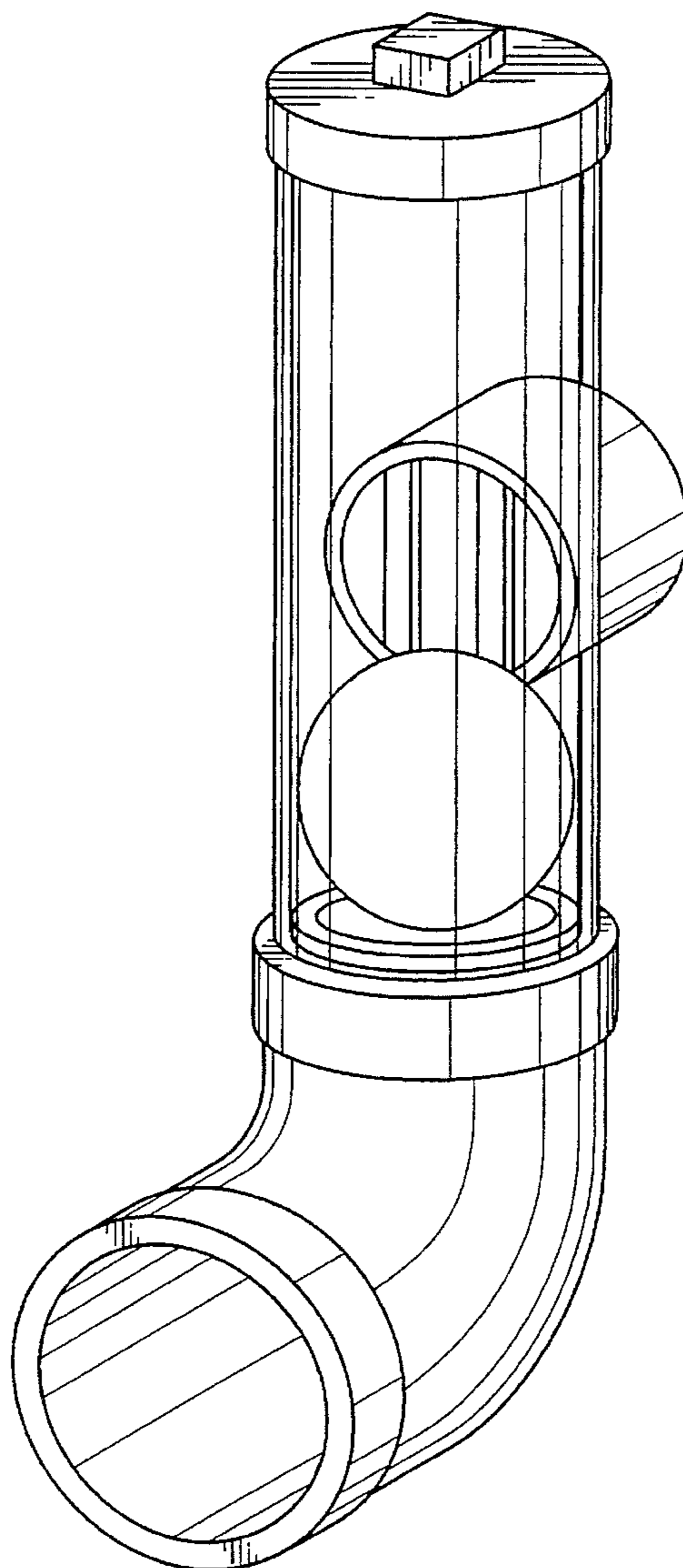
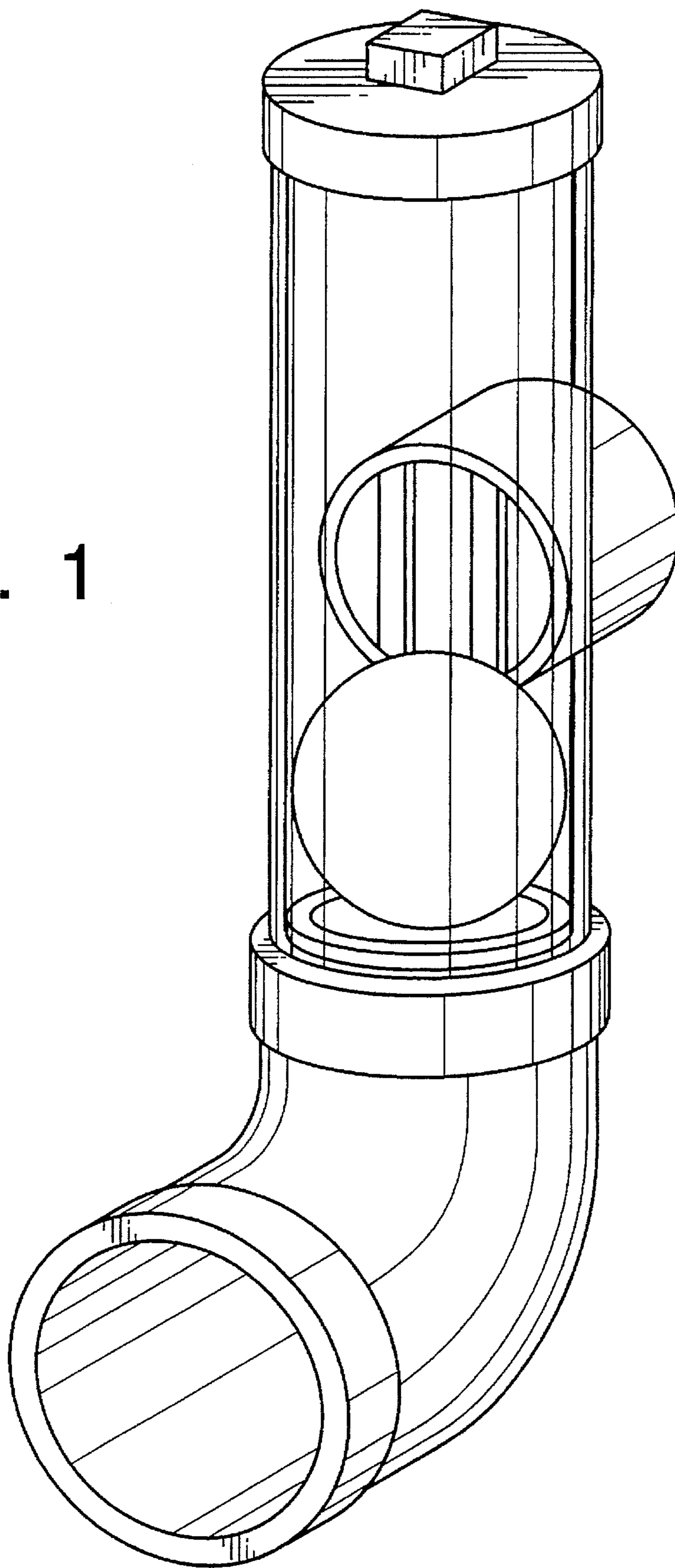


FIG. 1



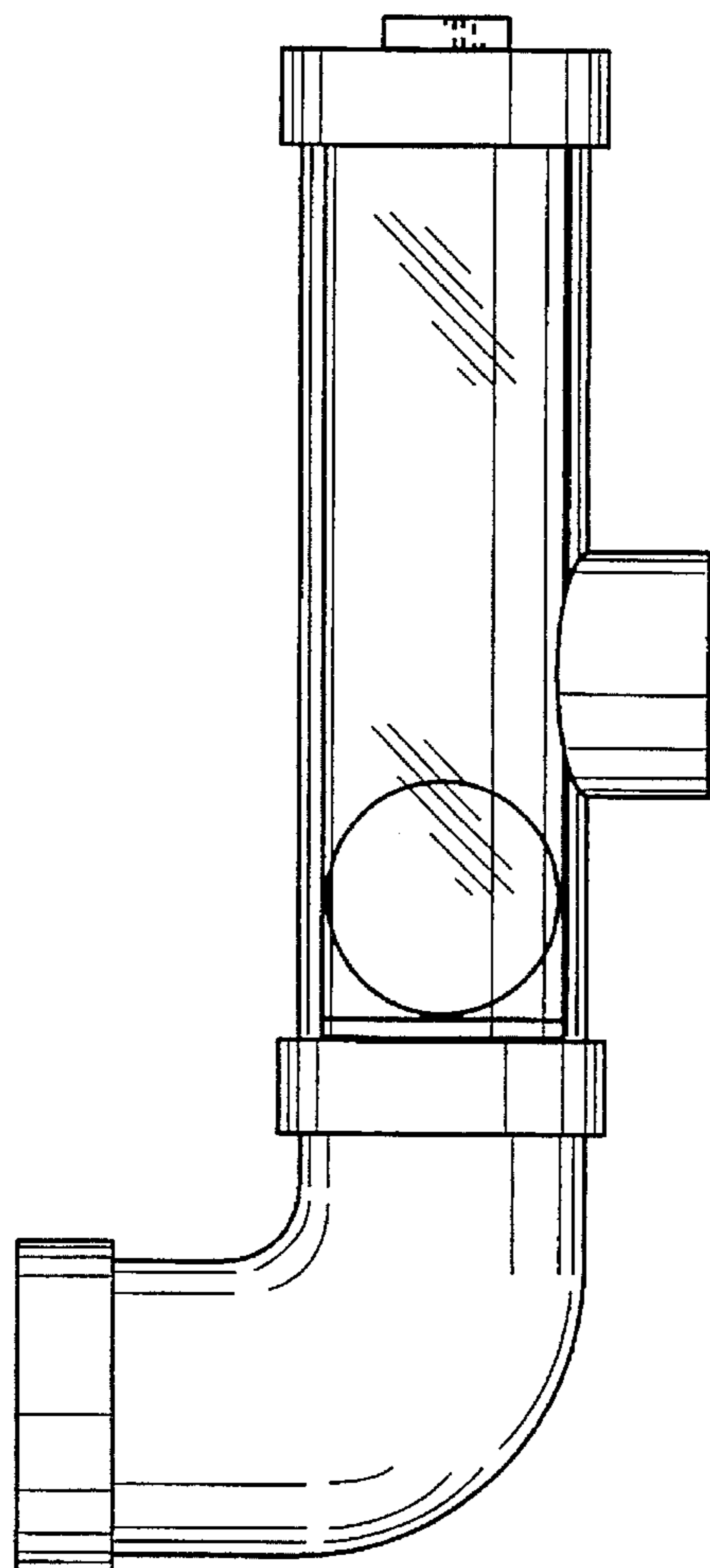
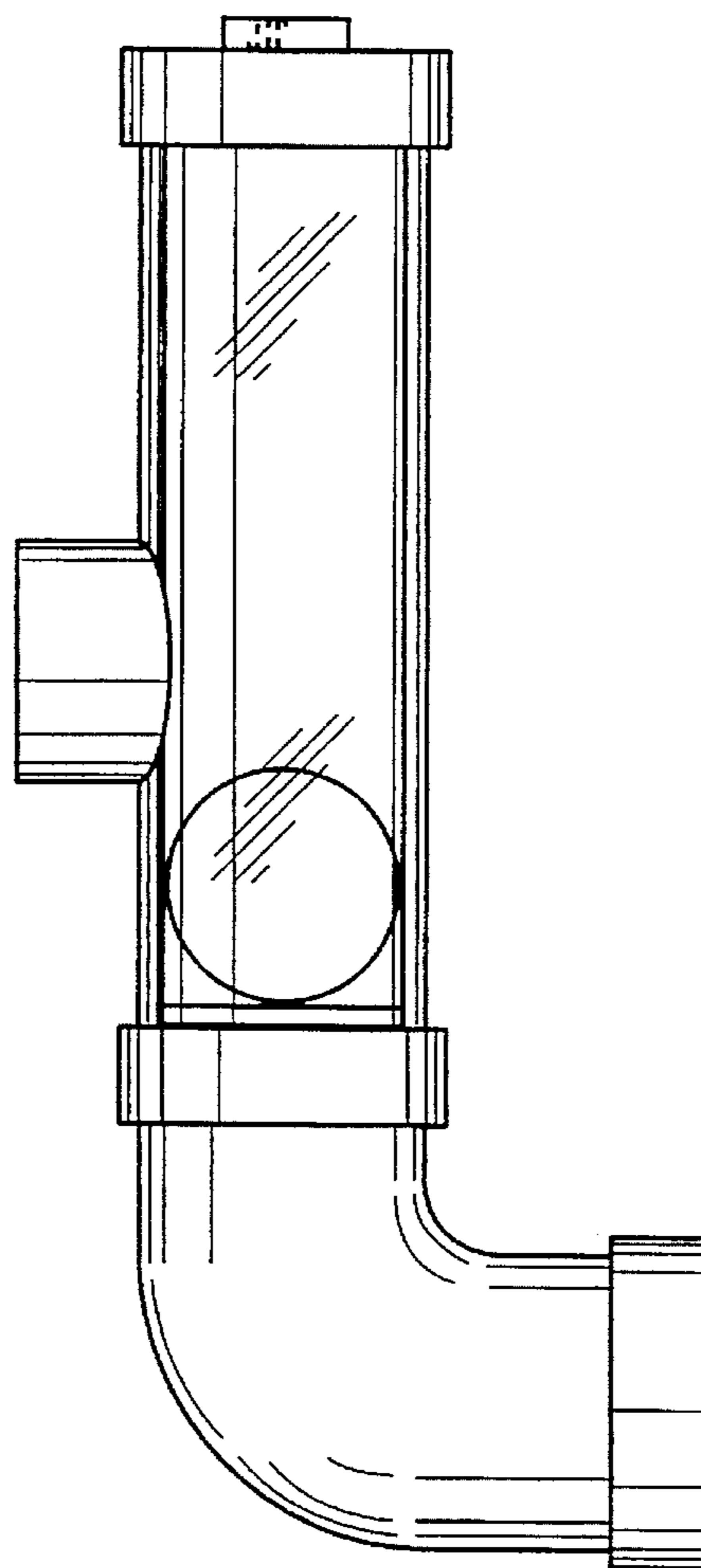


FIG. 2

FIG. 3



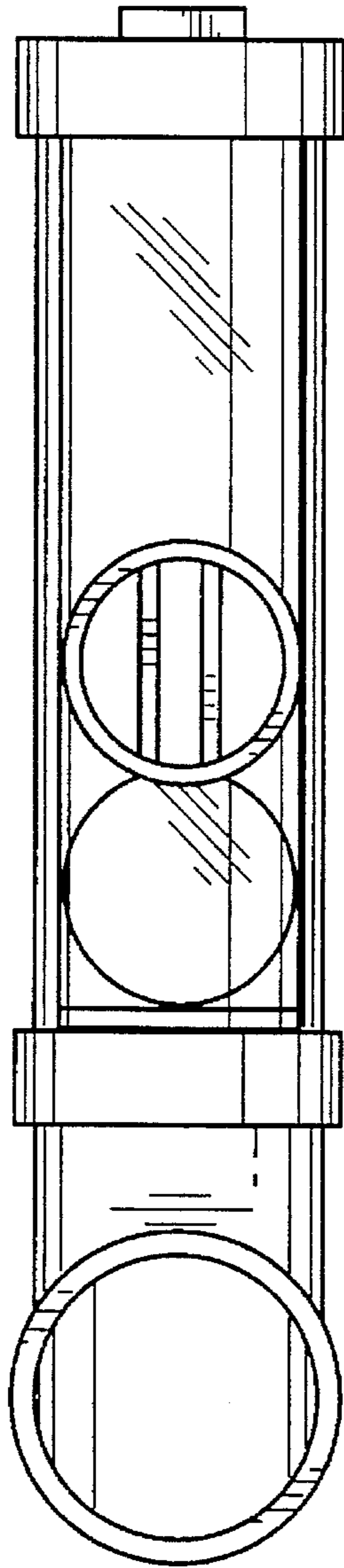
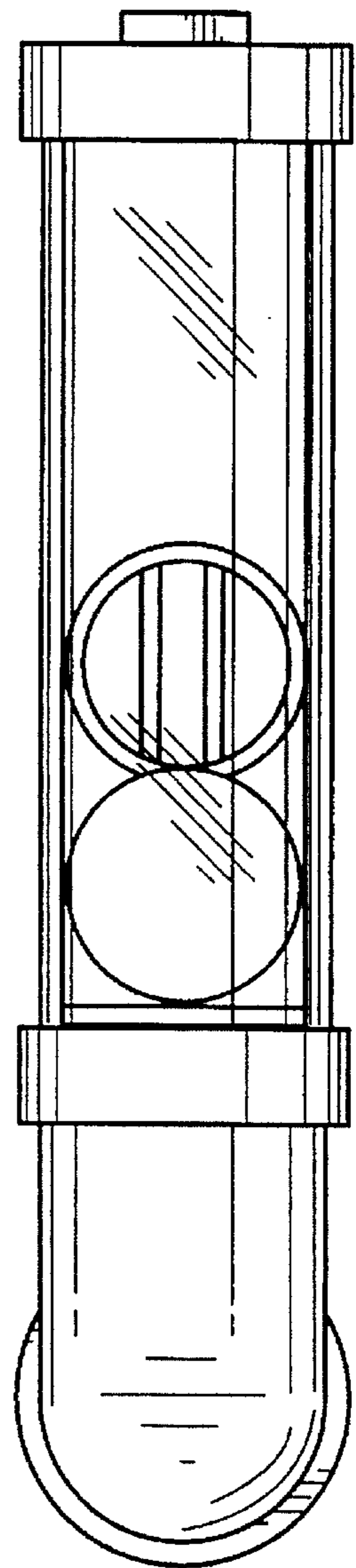


FIG. 4

FIG. 5



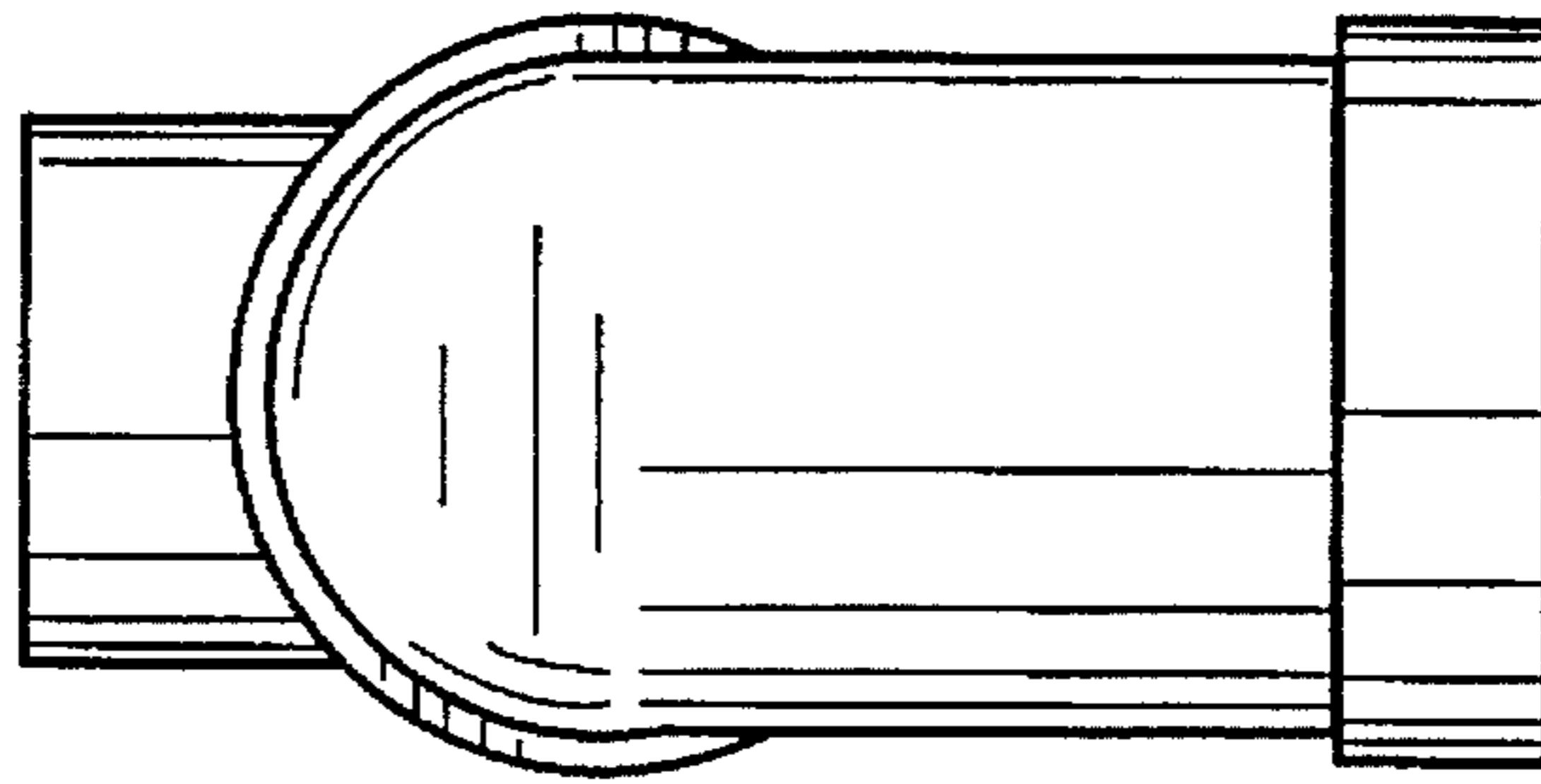


FIG. 6

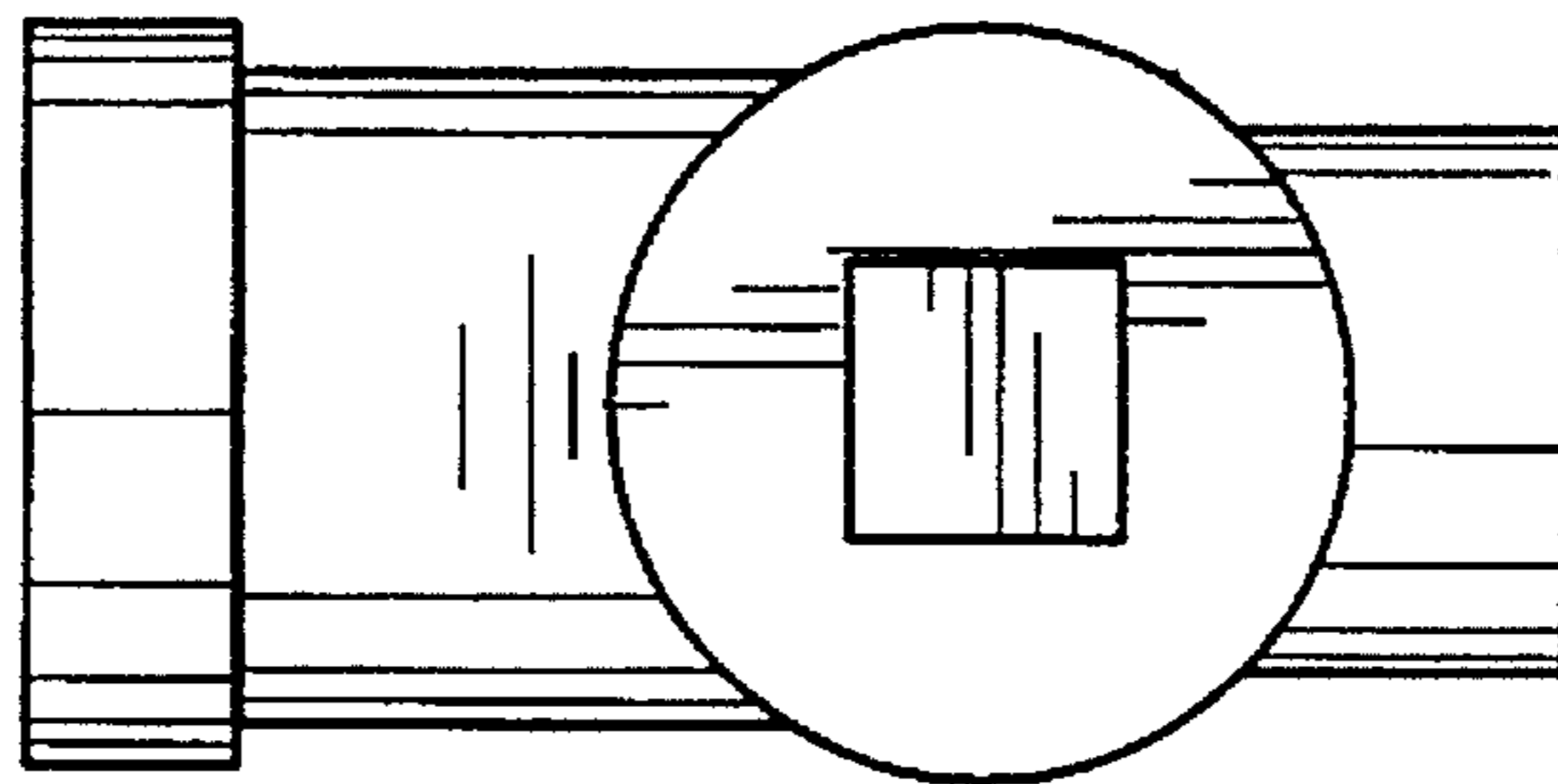


FIG. 7