



US00D376842S

United States Patent [19]

[11] Patent Number: **Des. 376,842**

Franklin et al.

[45] Date of Patent: ****Dec. 24, 1996**

[54] **HEAT RECOVERY VENTILATOR**

[75] Inventors: **John Franklin**, London; **Peter K. Grinbergs**, Dorchester; **Grant W. Miles**, London, all of Canada

[73] Assignee: **Nutech Energy Systems Inc.**, Canada

[**] Term: **14 Years**

[21] Appl. No.: **37,426**

[22] Filed: **Apr. 12, 1995**

[52] U.S. Cl. **D23/370; D23/314; D23/393**

[58] Field of Search **D23/370, 393, D23/314; 165/54**

4,389,857	6/1983	Svendsen	62/325
4,653,581	3/1987	Yogo et al.	165/166
4,815,534	3/1989	Fuerschbach	165/167
4,987,955	1/1991	Bergqvist et al.	165/167
5,002,118	3/1991	Olmstead et al.	165/54
5,056,590	10/1991	Bohn	165/78
5,072,719	12/1991	Burger et al.	126/515
5,193,610	3/1993	Morissette et al.	165/54

FOREIGN PATENT DOCUMENTS

69785	12/1991	Canada .
2059195	1/1992	Canada .
340109	9/1921	Germany .
885732	11/1981	U.S.S.R. .

OTHER PUBLICATIONS

Advertising materials from Ventex Sweden AB.

Primary Examiner—Lisa P. Lichtenstein

Attorney, Agent, or Firm—D. Peter Hochberg; Mark Kusner; Michael Jaffe

[56] **References Cited**

U.S. PATENT DOCUMENTS

D. 142,342	8/1945	De Flon et al.	D13/1
D. 184,288	1/1959	Mart	D62/4
D. 187,623	4/1960	Hamilton	D62/4
D. 195,487	6/1963	Goldsmith	D62/4
D. 198,147	5/1964	Phelps et al.	D62/4
215,572	5/1879	Chase .	
D. 275,226	8/1984	Nishigaki	D24/17
D. 286,565	11/1986	Drucker et al.	D23/155
2,596,008	5/1952	Collins	257/245
2,617,634	11/1952	Jendrassik	257/245
2,917,292	12/1959	Hittrich	261/7
3,313,343	4/1967	Ware et al.	165/166
3,360,038	12/1967	Stampes	165/166
3,444,926	5/1969	Stalberg	165/166
4,099,928	7/1978	Norback	29/157.3 D
4,258,784	3/1981	Perry et al.	165/166
4,377,201	3/1983	Kruse et al.	165/76
4,377,400	3/1983	Okamoto et al.	55/269

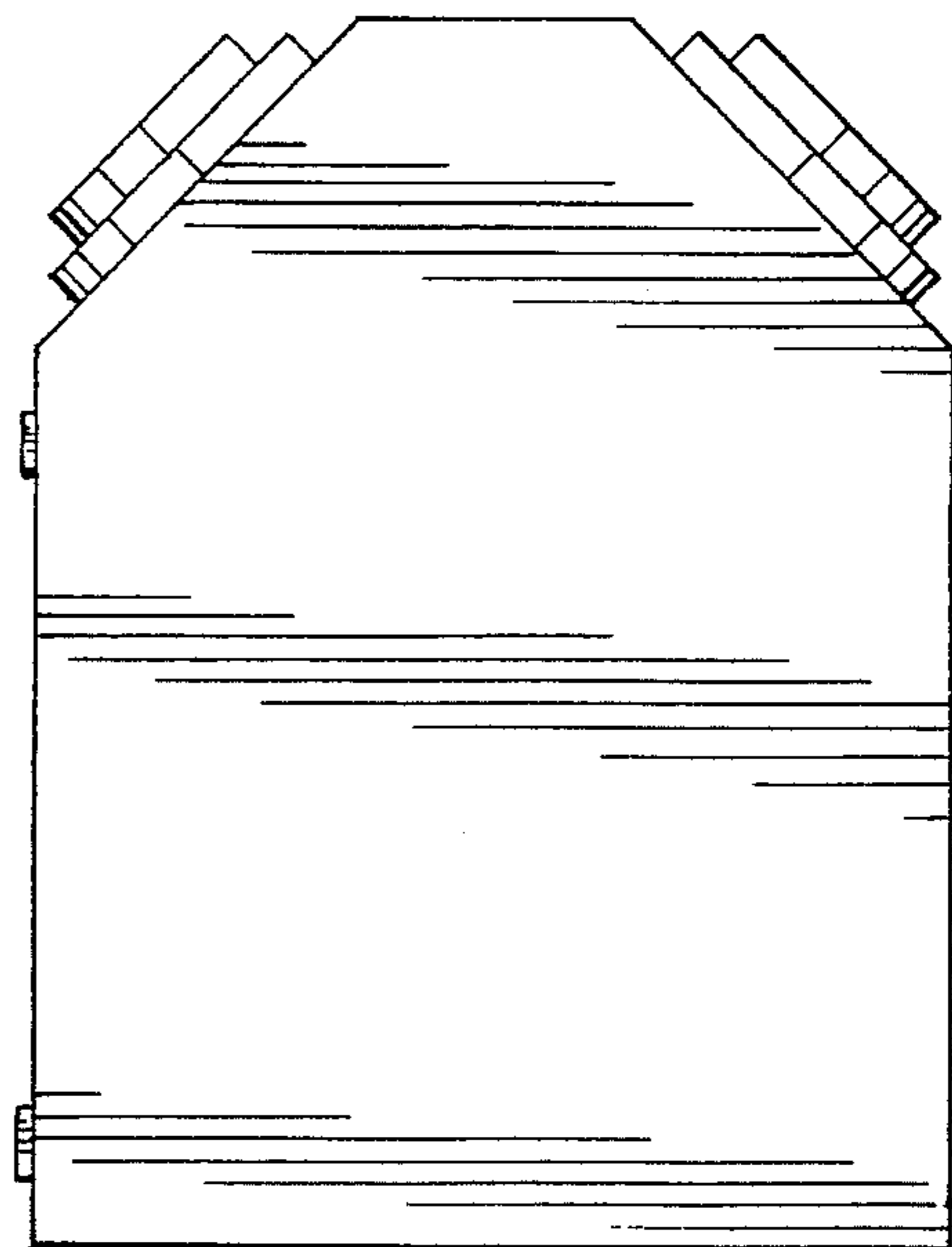
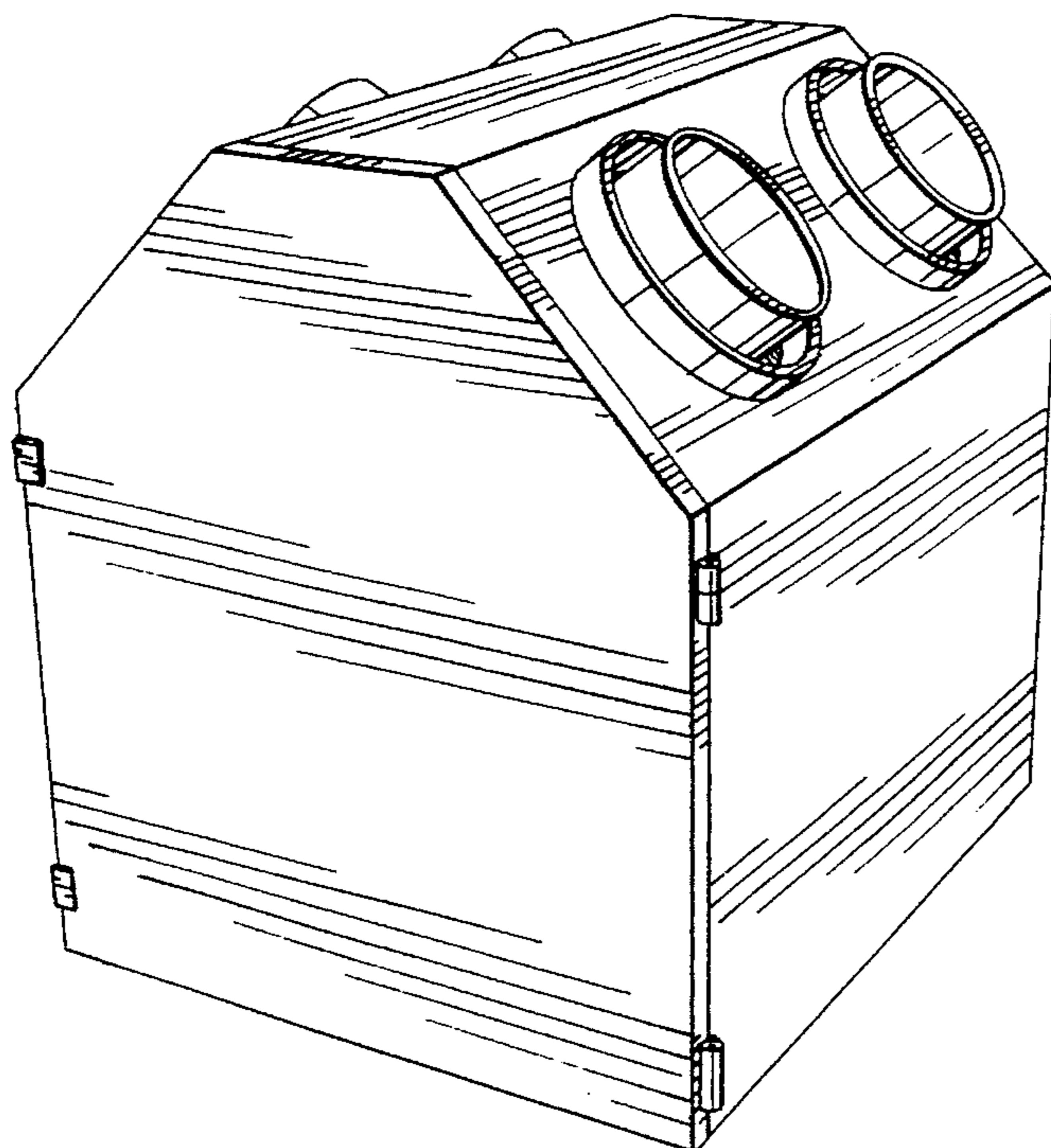
[57] **CLAIM**

The ornamental design for a heat recovery ventilator, as shown.

DESCRIPTION

FIG. 1 is a perspective view of our novel heat recovery ventilator showing the top, side and end thereof; FIG. 2 is a view of the end at the left side of FIG. 3; FIG. 3 is a view of the top; FIG. 4 is a view of the far side of FIG. 1; FIG. 5 is a view of the other end; and, FIG. 6 is view of the other side.

1 Claim, 3 Drawing Sheets



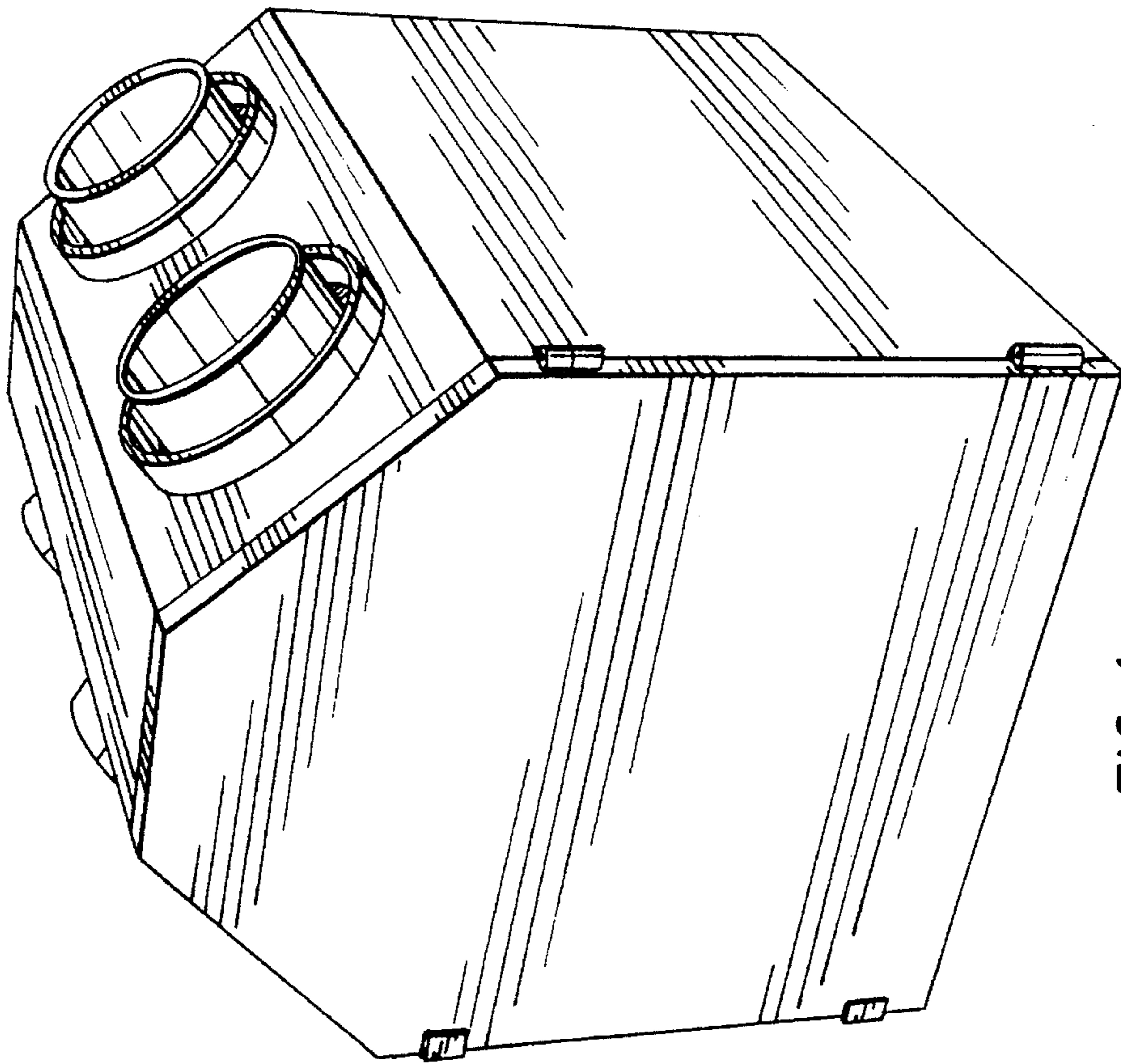


FIG. 1

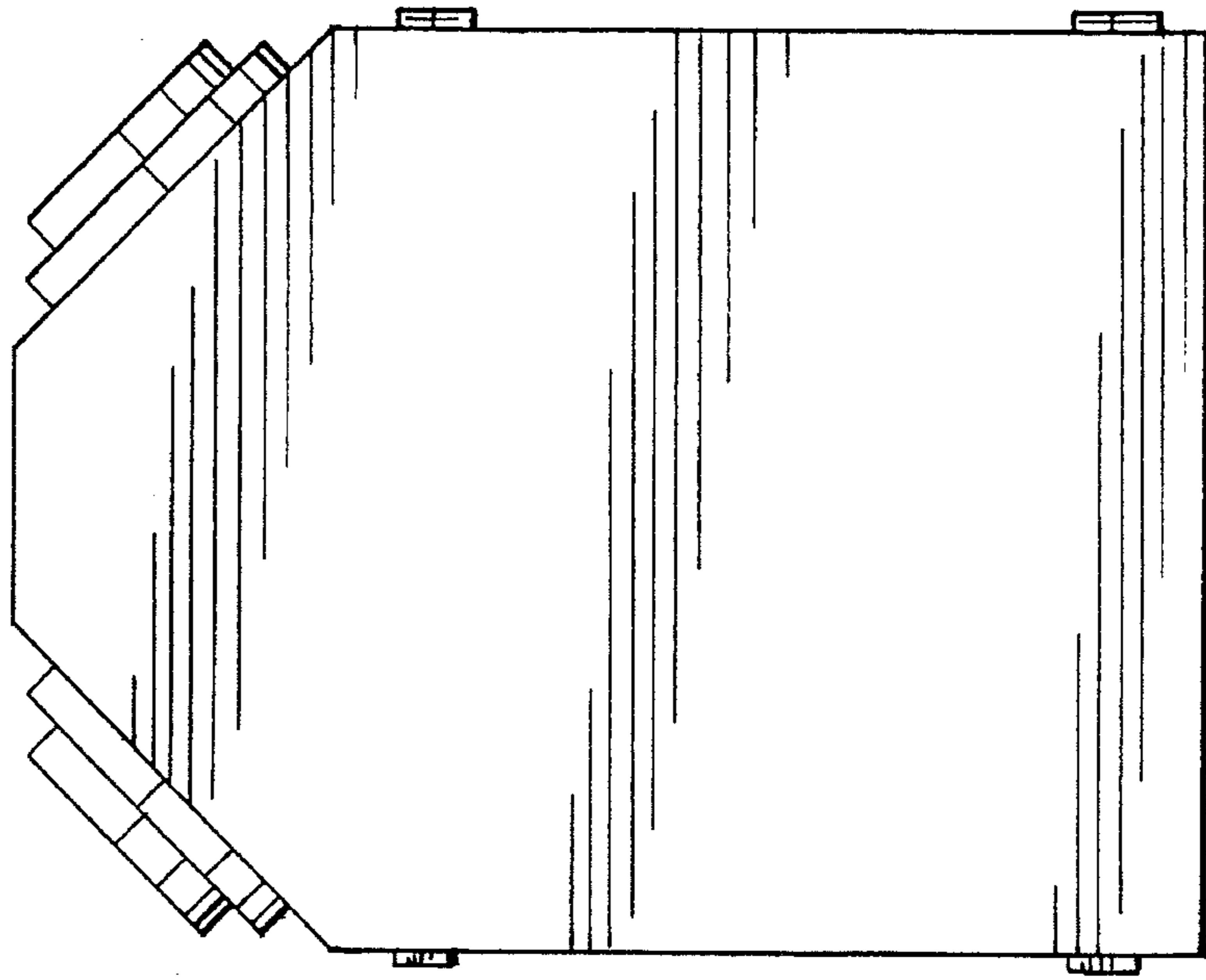


FIG. 2

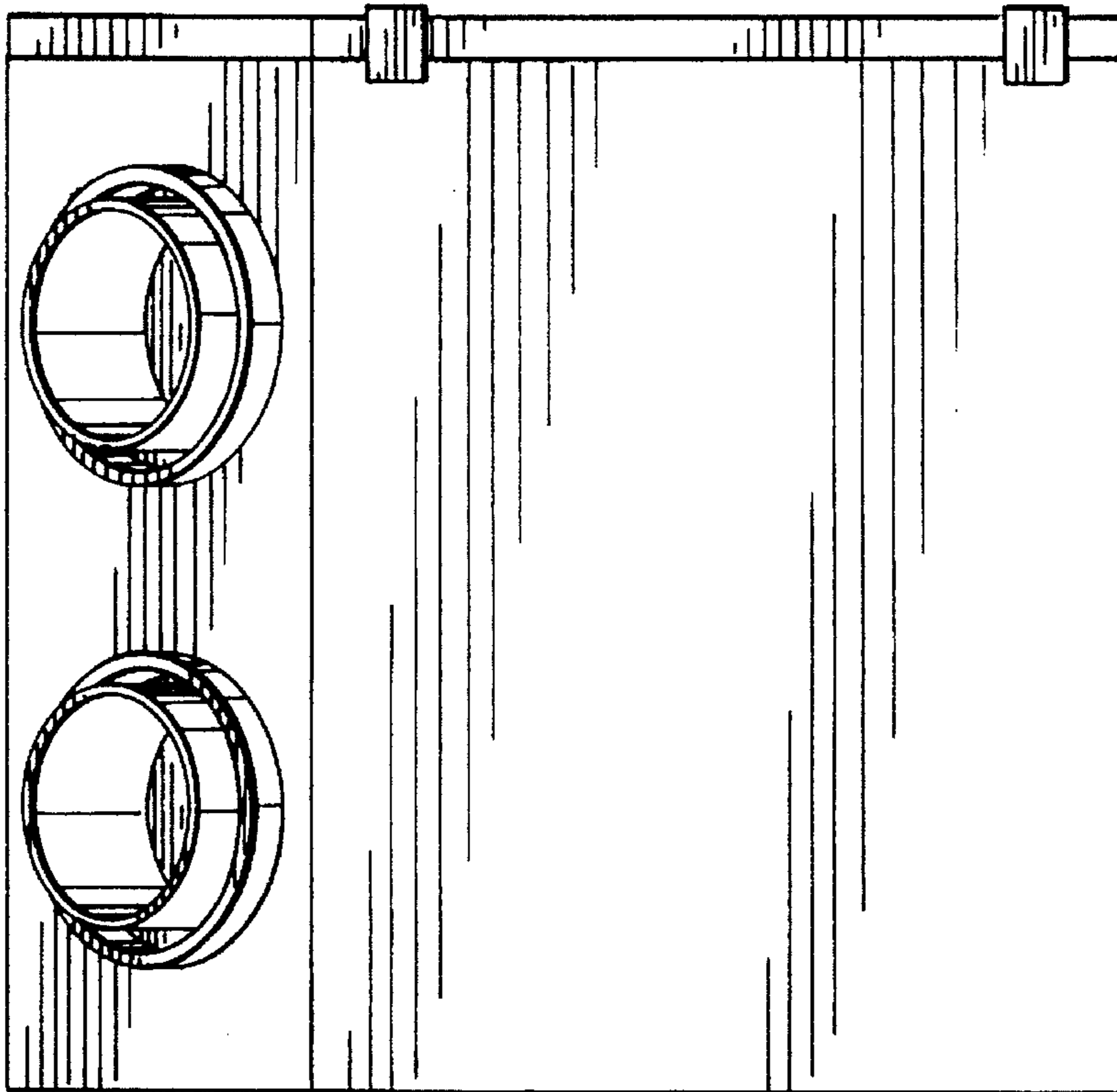


FIG. 4

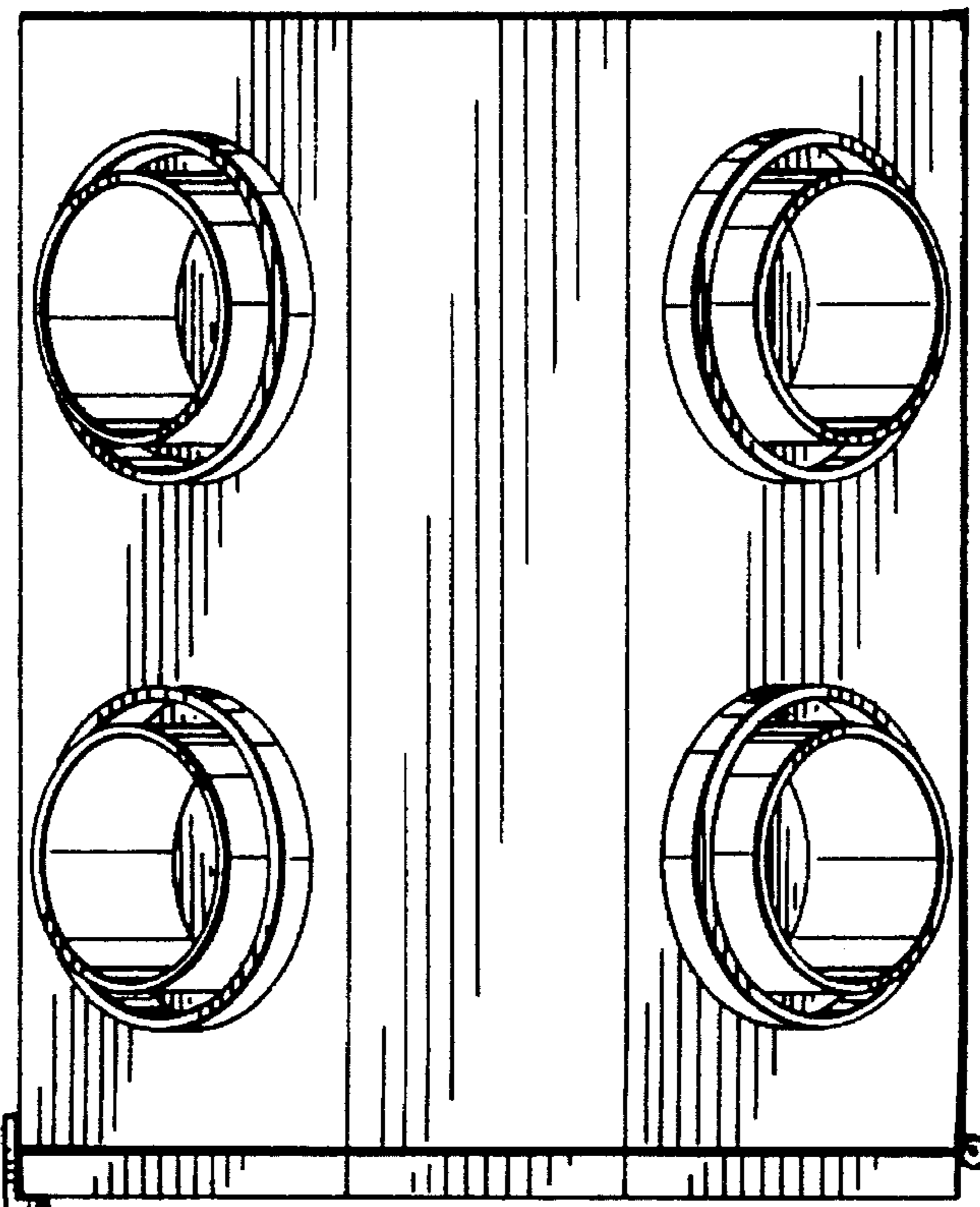


FIG. 3

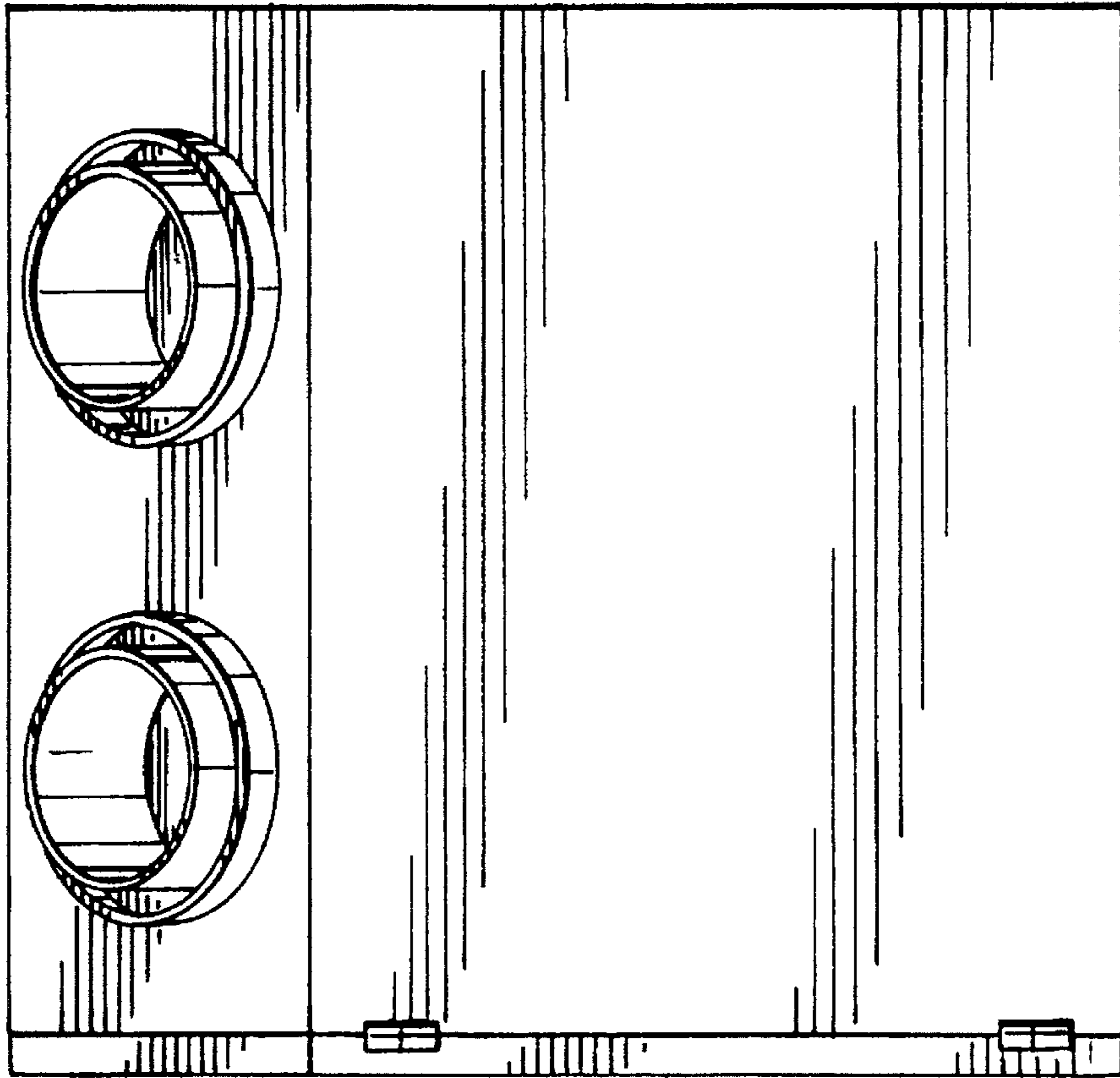


FIG. 6

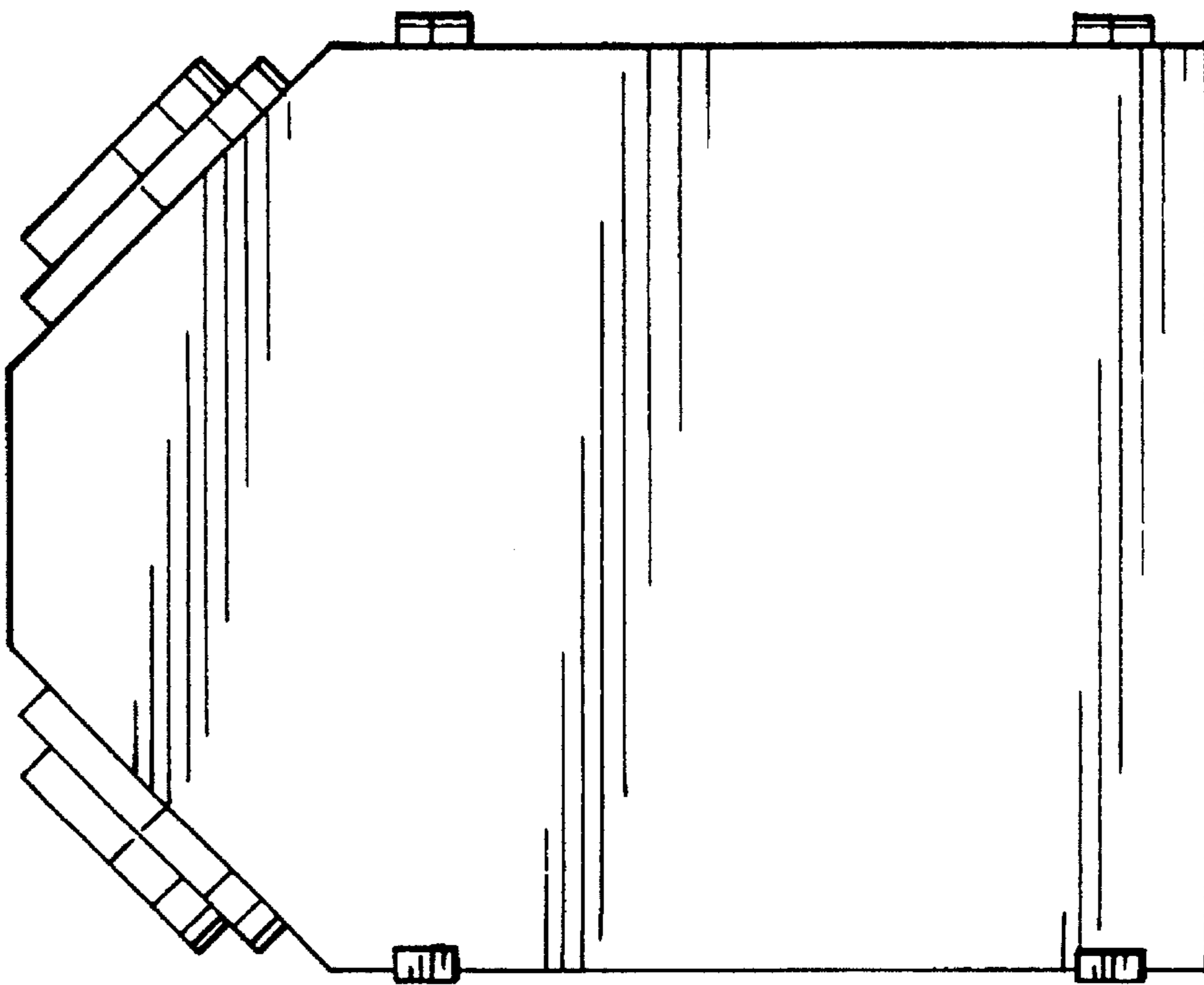


FIG. 5