



US00D376840S

United States Patent [19]

[11] Patent Number: **Des. 376,840**

Perkins

[45] Date of Patent: ****Dec. 24, 1996**

[54] **REFILLABLE TOILET TANK DISPENSER**

4,709,423 12/1987 Richards 4/227.6

[76] Inventor: **Ernest L. Perkins**, 1502 Kettering Way, Orange Park, Fla. 32073

Primary Examiner—Stella Reid
Assistant Examiner—Eric Watterson

[**] Term: **14 Years**

[57] **CLAIM**

[21] Appl. No.: **48,804**

The ornamental design for a refillable toilet tank dispenser, as shown and described.

[22] Filed: **Dec. 22, 1995**

DESCRIPTION

[52] U.S. Cl. **D23/313**

[58] Field of Search D23/303, 313,
D23/208; 4/225.1, 227.1, 227.5; 422/37

FIG. 1 is a front elevational view of the refillable toilet tank dispenser showing my new design;
FIG. 2 is a rear elevational view thereof;
FIG. 3 is a right view thereof;
FIG. 4 is a left view thereof;
FIG. 5 is a top plan view thereof;
FIG. 6 is a bottom plan view thereof; and,
FIG. 7 is an isometric view thereof.

[56] References Cited

U.S. PATENT DOCUMENTS

D. 345,196	3/1994	Kelly	D23/208
3,061,842	11/1962	Woodruff	4/225.1
3,604,020	9/1971	Moisa	4/227.1
3,999,226	12/1976	Wolf	4/225.1
4,491,988	1/1985	Mizuno	4/227.4

1 Claim, 3 Drawing Sheets

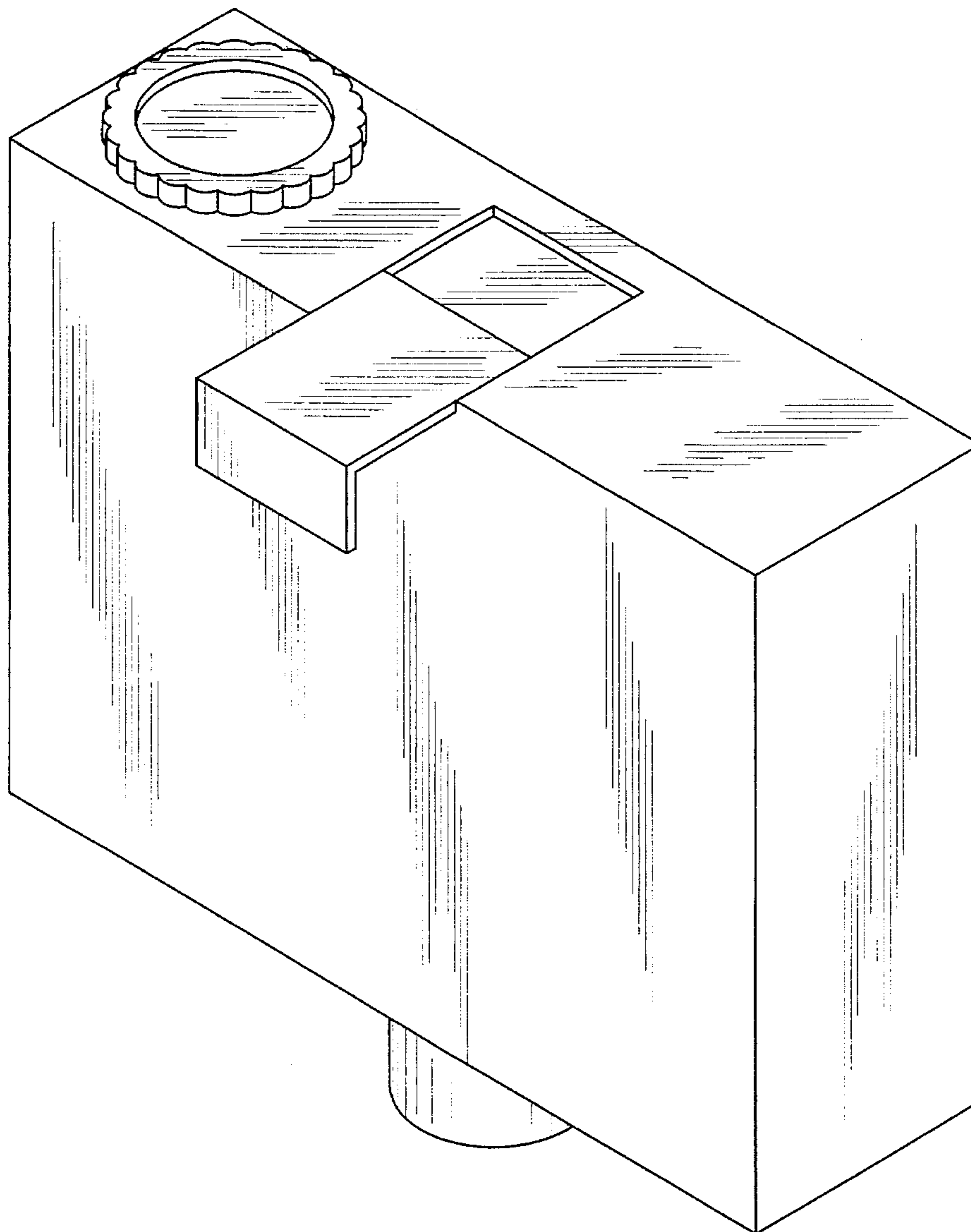


FIG. 1

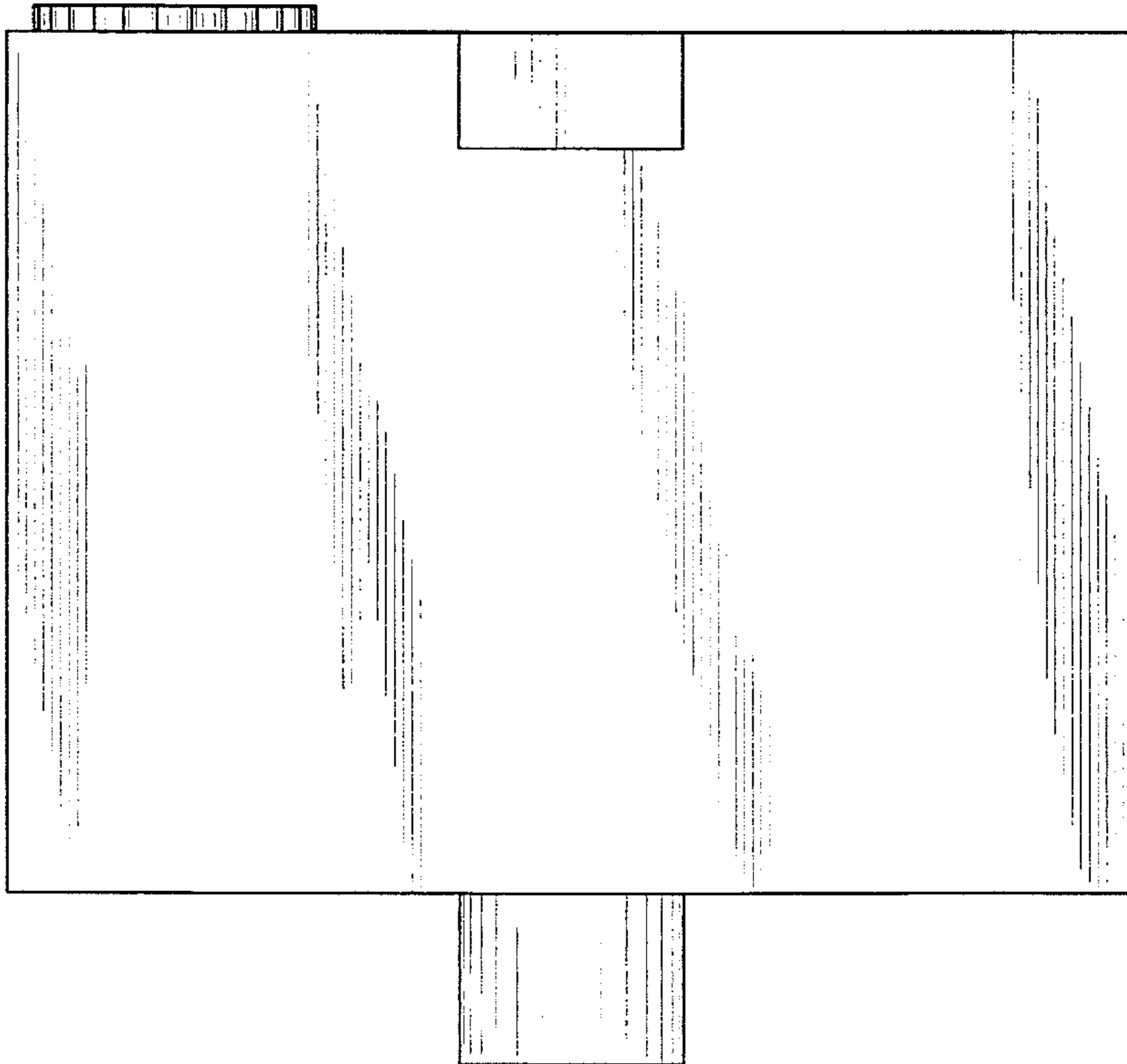


FIG. 2



FIG. 3

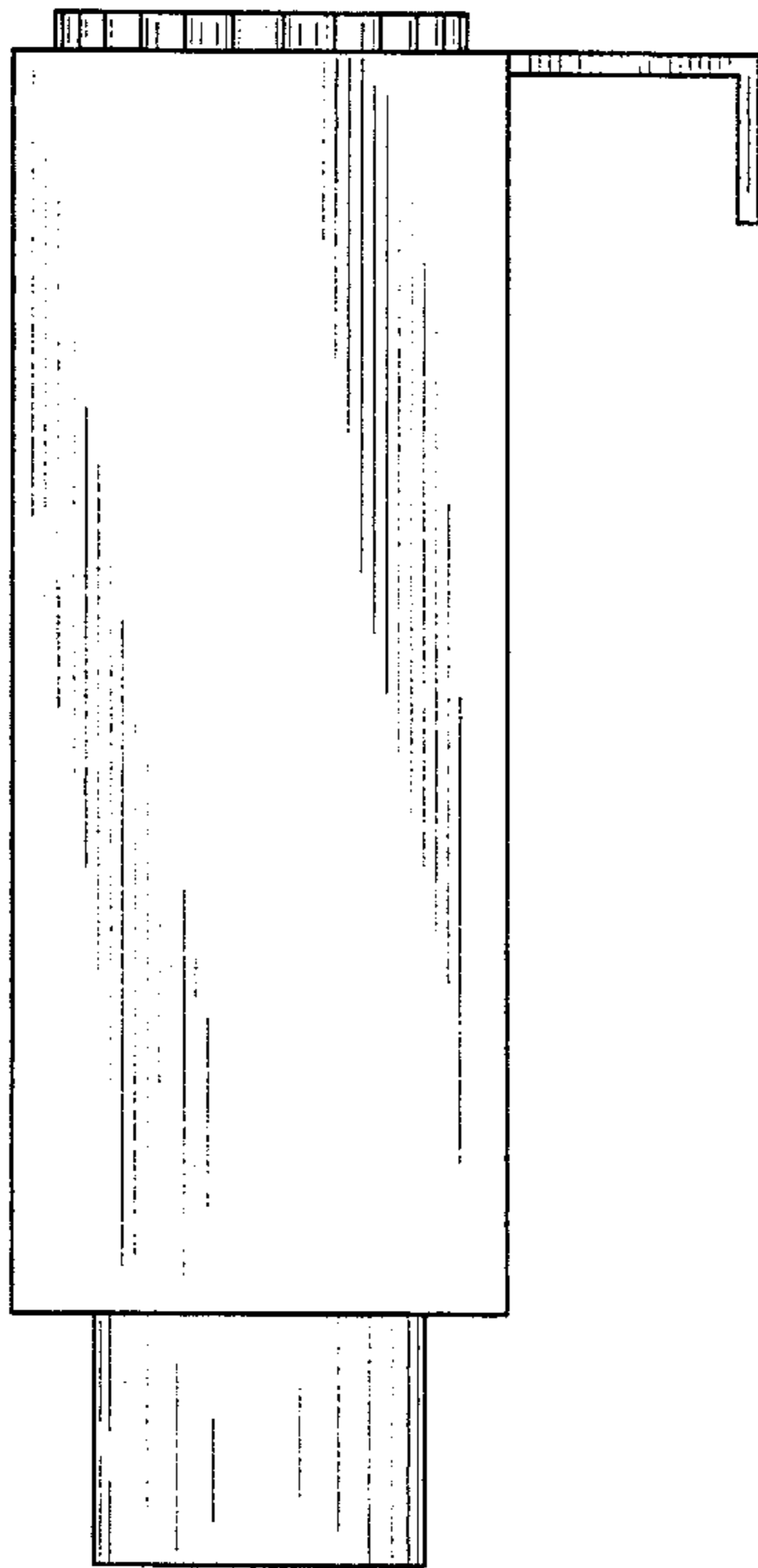


FIG. 4

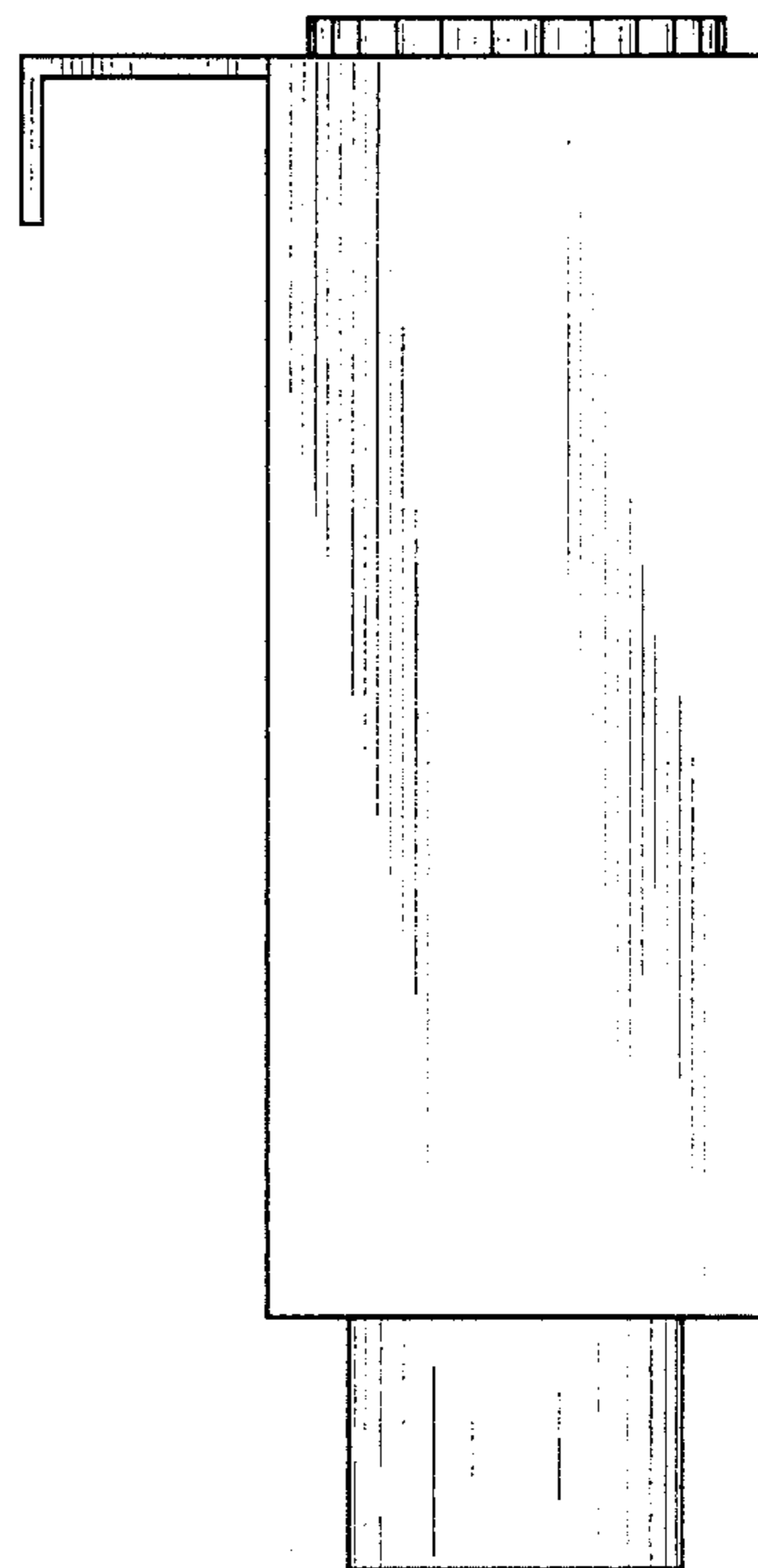


FIG. 5

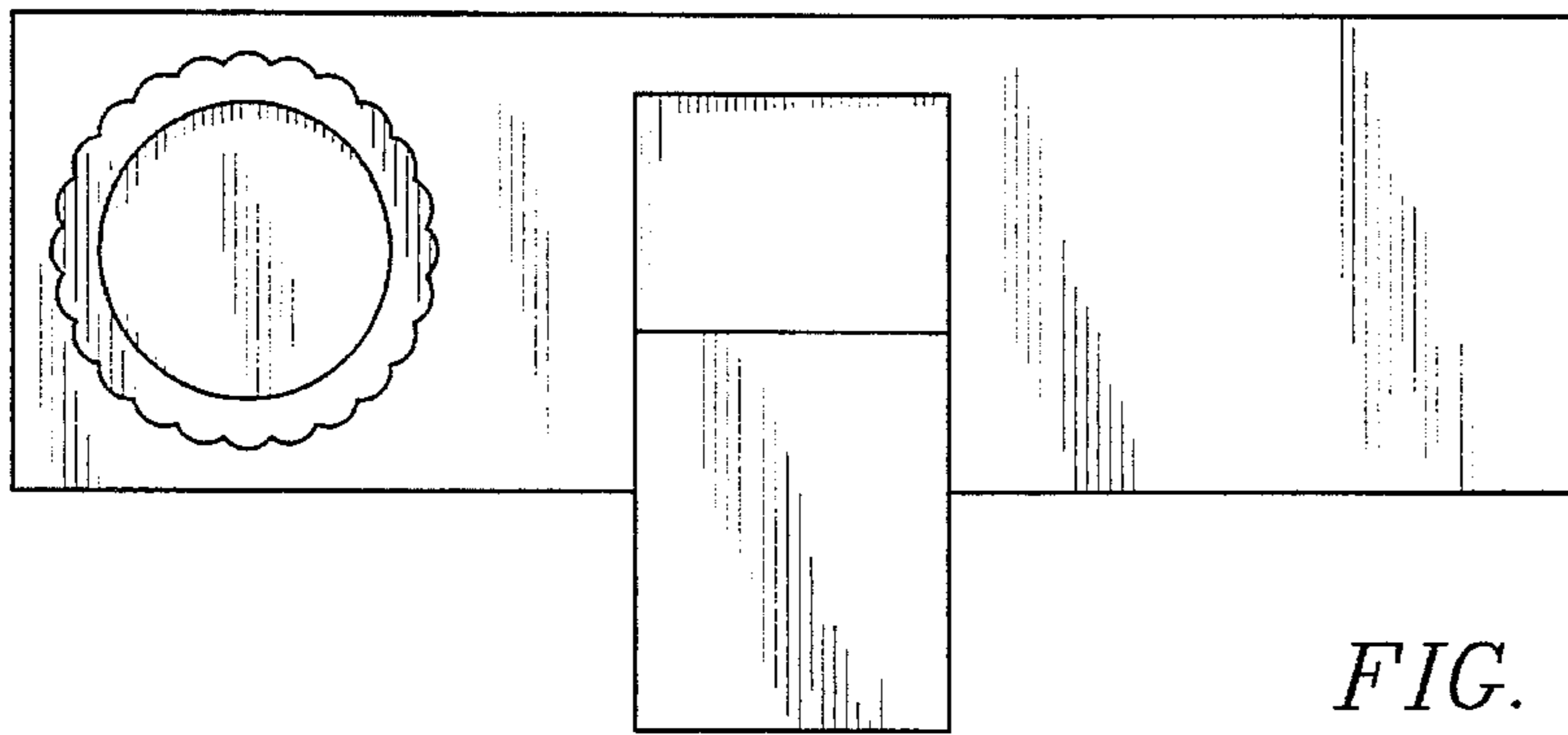


FIG. 6

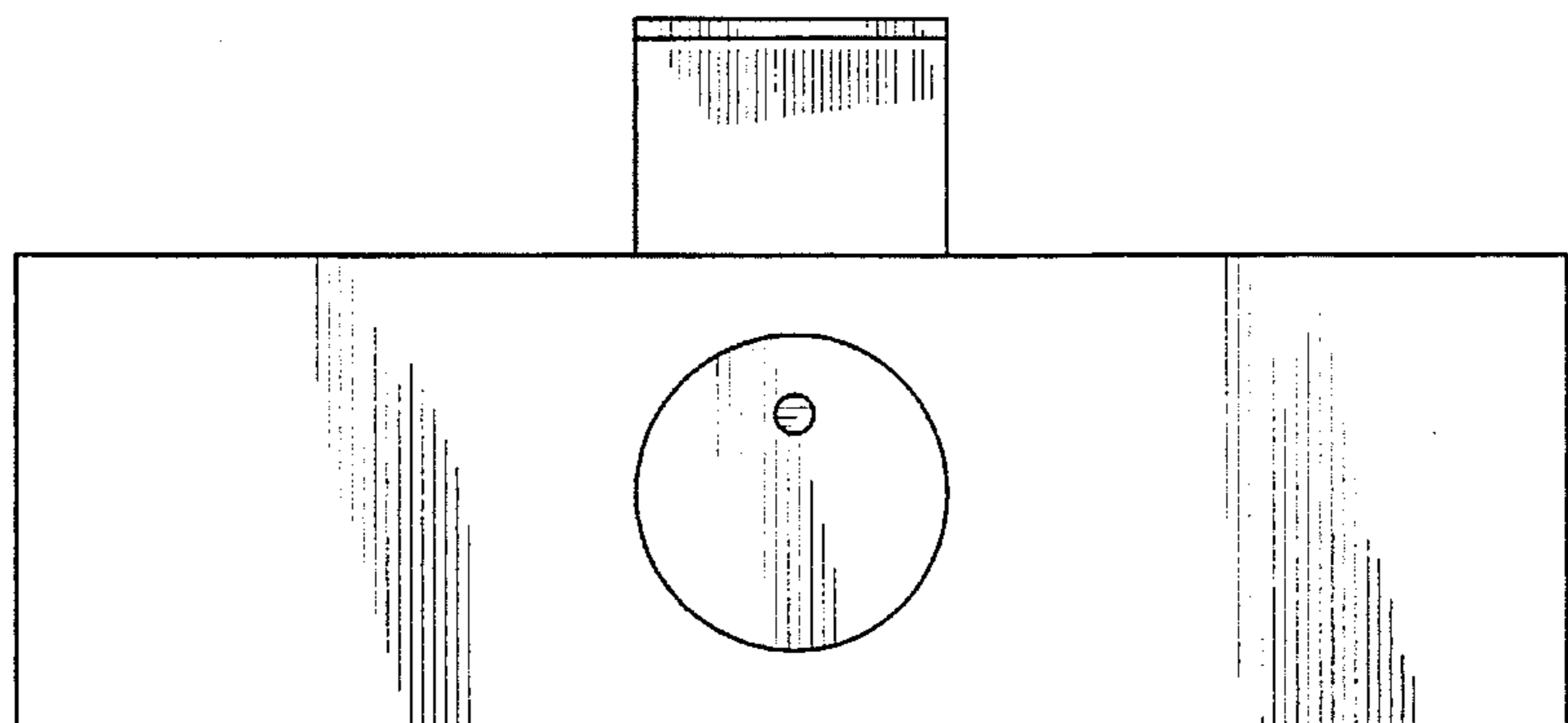


FIG. 7

