



US00D376838S

United States Patent [19]

[11] Patent Number: **Des. 376,838**

Potts et al.

[45] Date of Patent: ****Dec. 24, 1996**

[54] AUTOMOBILE CLEANING WAND

[76] Inventors: **Elmer Potts; Sandra L. Potts**, both of
P.O. Box 125, Campti, La. 71411

[**] Term: **14 Years**

[21] Appl. No.: **47,370**

[22] Filed: **Dec. 1, 1995**

[52] U.S. Cl. **D23/223**

[58] Field of Search D23/213, 223-230;
239/394, 390 B, 380-3, 460-2, 525-8,
530-2

[56] References Cited

U.S. PATENT DOCUMENTS

D. 202,216	9/1965	Liljemark	D23/226
4,541,568	9/1985	Lichfield	D23/226
4,982,896	1/1991	Crow	239/532
5,092,362	3/1992	Yie	239/526
5,263,646	11/1993	McCauley	239/526

Primary Examiner—A. Hugo Word
Assistant Examiner—Robin V. Taylor
Attorney, Agent, or Firm—Harold H. Dutton, Jr.; W. Charles L. Jamison; Diane F. Liebman

[57] CLAIM

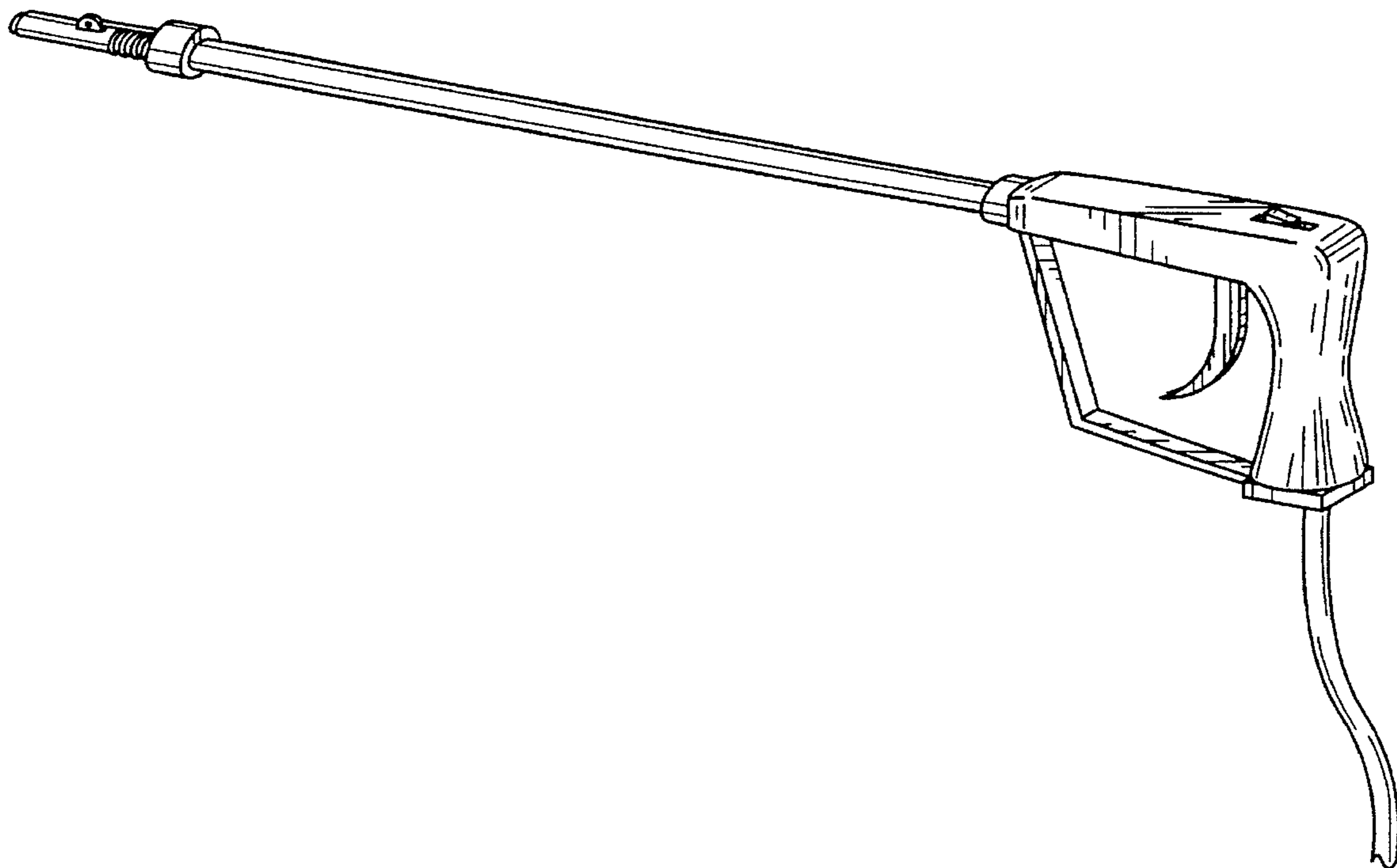
The ornamental design for an automobile cleaning wand, as shown.

DESCRIPTION

FIG. 1 is a perspective view of an automobile cleaning wand showing our new design;
FIG. 2 is a side view thereof;
FIG. 3 is a front view thereof;
FIG. 4 is a rear view thereof;
FIG. 5 is a top view thereof; and,
FIG. 6 is a bottom view thereof.

The hose of the wand is shown fragmented to indicate indeterminate length.

1 Claim, 3 Drawing Sheets



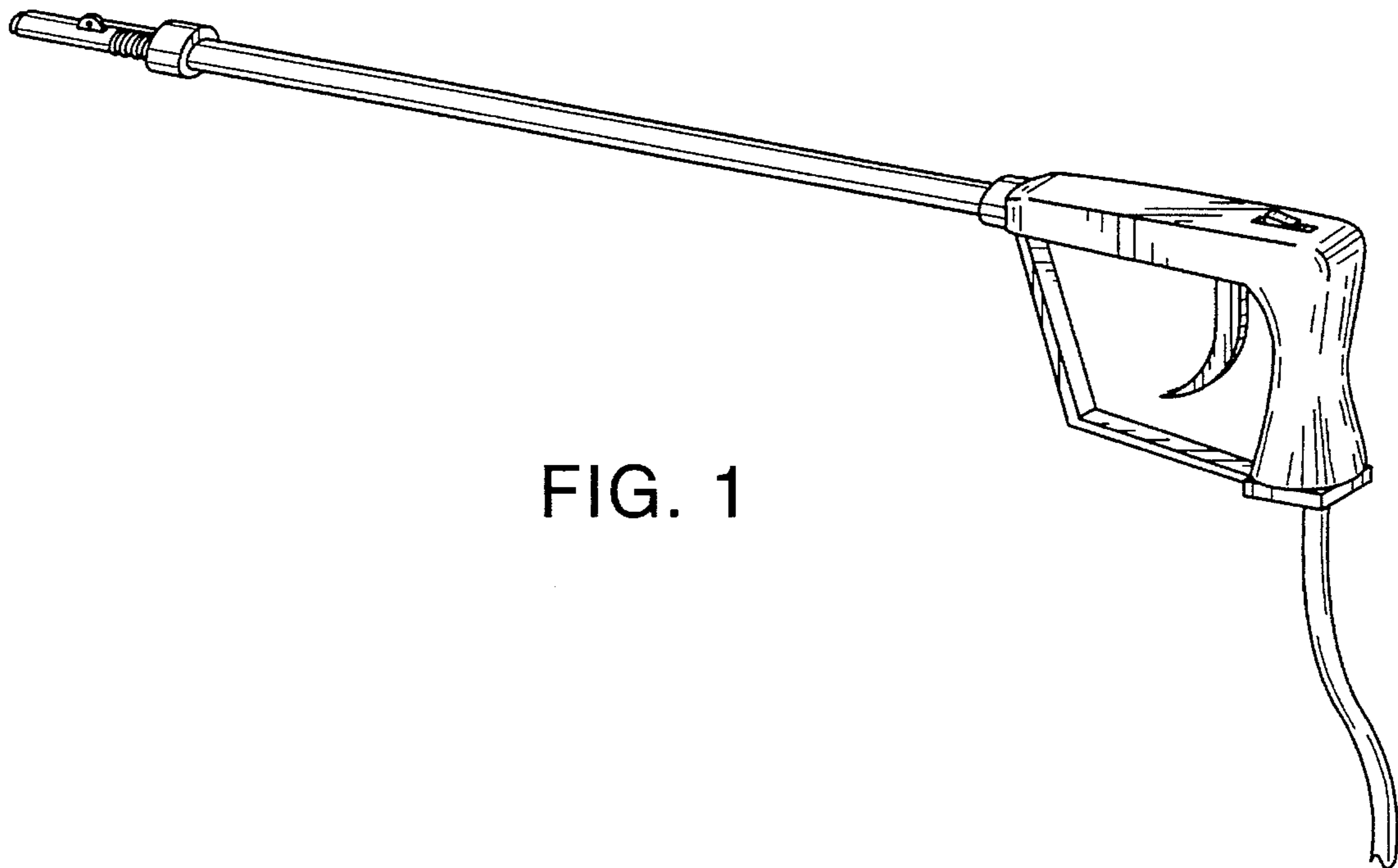


FIG. 1

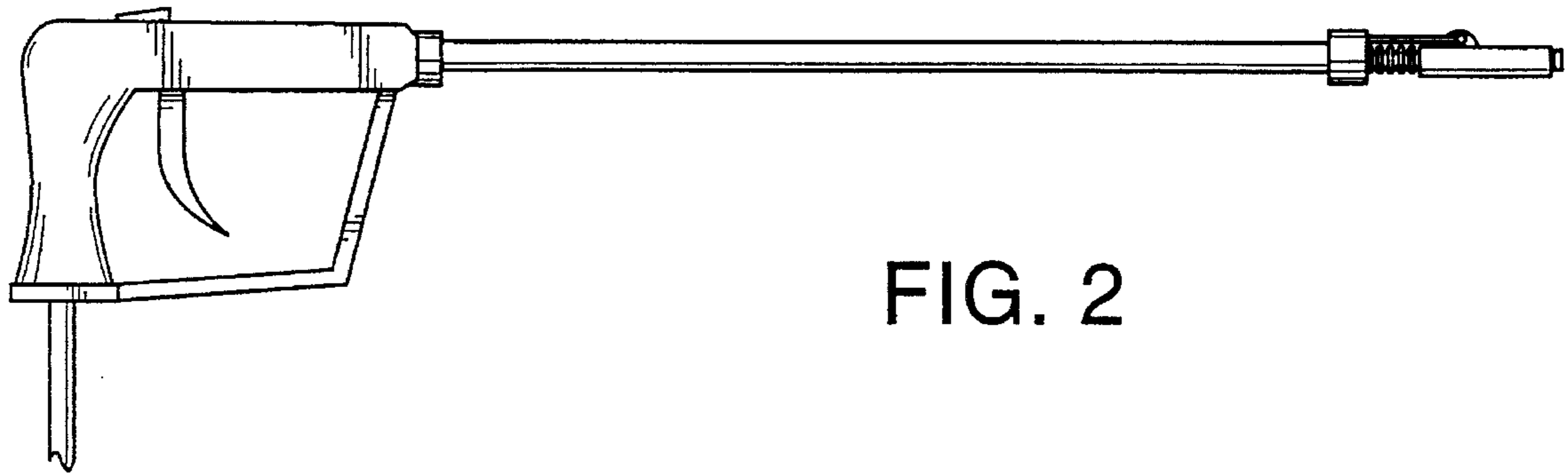


FIG. 2

FIG. 3

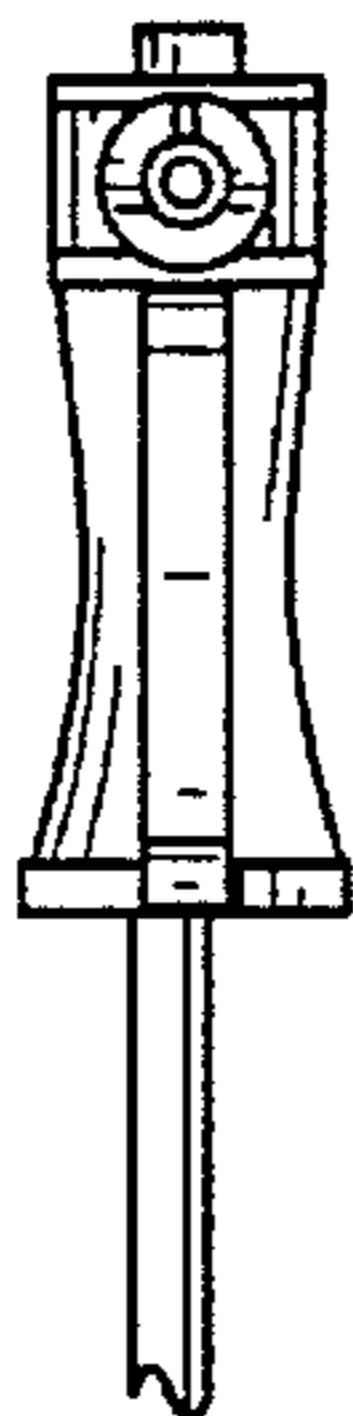


FIG. 4



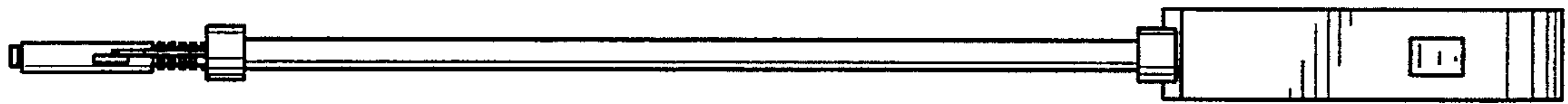


FIG. 5

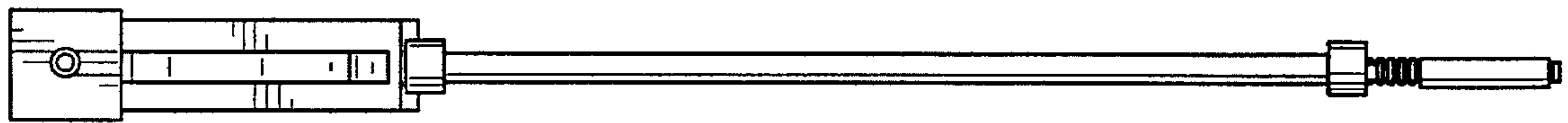


FIG. 6