



US00D376835S

United States Patent [19]

[11] Patent Number: **Des. 376,835**

Asano et al.

[45] Date of Patent: ****Dec. 24, 1996**

[54] **FISHING REEL**

[75] Inventors: **Shinichi Asano**, Musashino; **Takeo Miyazaki**; **Shigeo Mimura**, both of Higashikurume, all of Japan

[73] Assignee: **Daiwa Seiko, Inc.**, Tokyo, Japan

[**] Term: **14 Years**

[21] Appl. No.: **44,937**

[22] Filed: **Oct. 3, 1995**

Related U.S. Application Data

[62] Division of Ser. No. 24,974, Jun. 24, 1994, Pat. No. Des. 369,848.

Foreign Application Priority Data

Dec. 27, 1993 [JP] Japan 5-39752
May 17, 1994 [JP] Japan 6-13953

[52] U.S. Cl. **D22/140**

[58] Field of Search D22/140, 141;
242/311, 312, 313, 234, 240, 282, 310

References Cited

U.S. PATENT DOCUMENTS

D. 299,511 1/1989 Kameda et al. D22/140

D. 315,011	2/1991	Kameda et al.	D22/140
D. 336,325	6/1993	Asano	D22/140
D. 346,006	4/1994	Sakurai et al.	D22/140
D. 347,046	5/1994	Sakurai	D22/140
D. 349,324	8/1994	Roberts et al.	D22/140
D. 351,451	10/1994	Storz	D22/140
D. 366,690	1/1996	Storz	D22/140
D. 369,848	5/1996	Asano et al.	D22/140

Primary Examiner—Doris V. Coles

Attorney, Agent, or Firm—Cushman Darby & Cushman, L.L.P.

[57] CLAIM

The ornamental design for a fishing reel, as shown and described.

DESCRIPTION

FIG. 1 is a front, top and right side of the perspective view of a fishing reel showing our new design; FIG. 2 is a front elevational view thereof; FIG. 3 is a rear elevational view thereof; FIG. 4 is a top plan view thereof; FIG. 5 is a bottom view thereof; FIG. 6 is a right side elevational view thereof; and, FIG. 7 is a left side elevational view thereof.

1 Claim, 2 Drawing Sheets

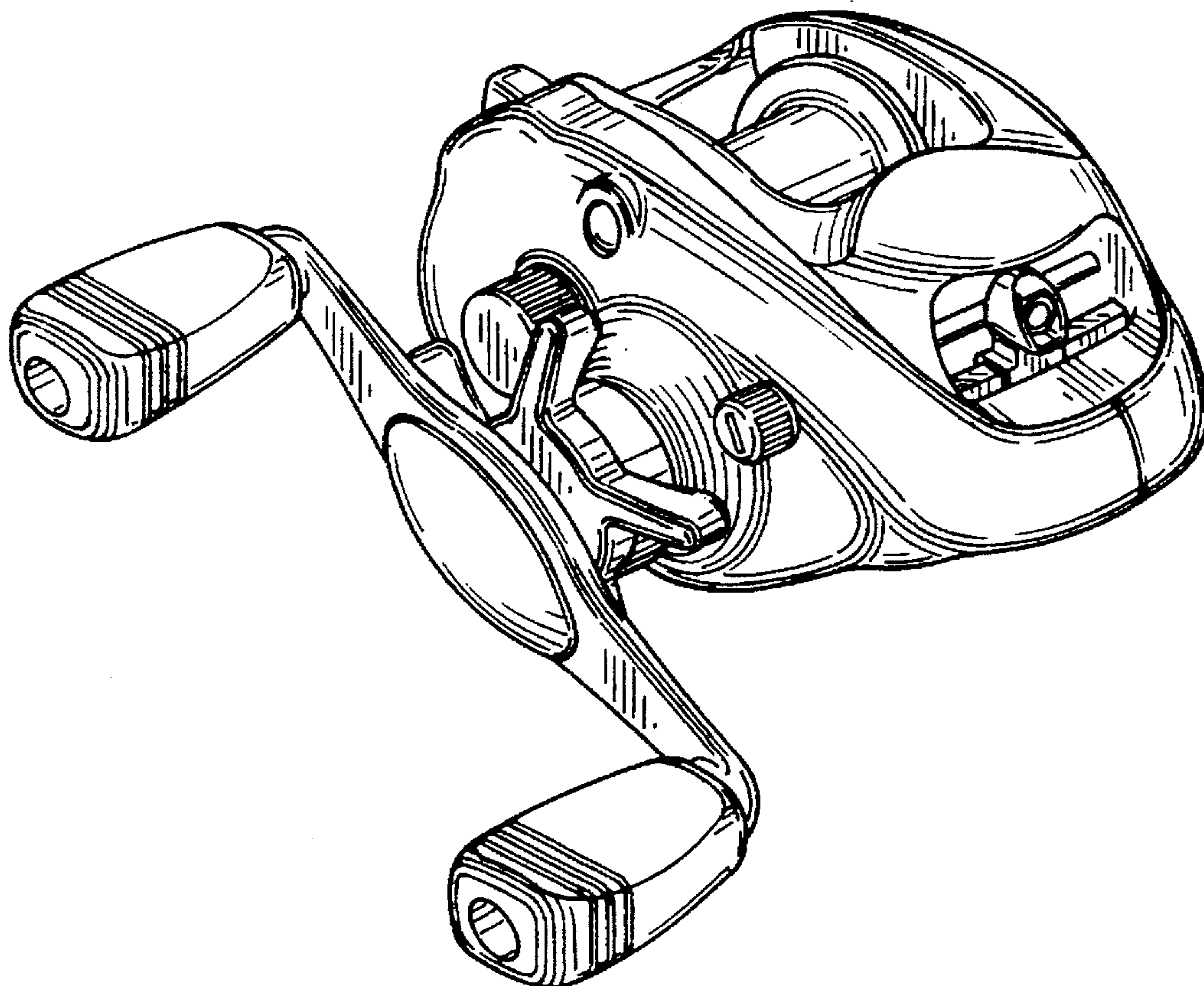


FIG. 1

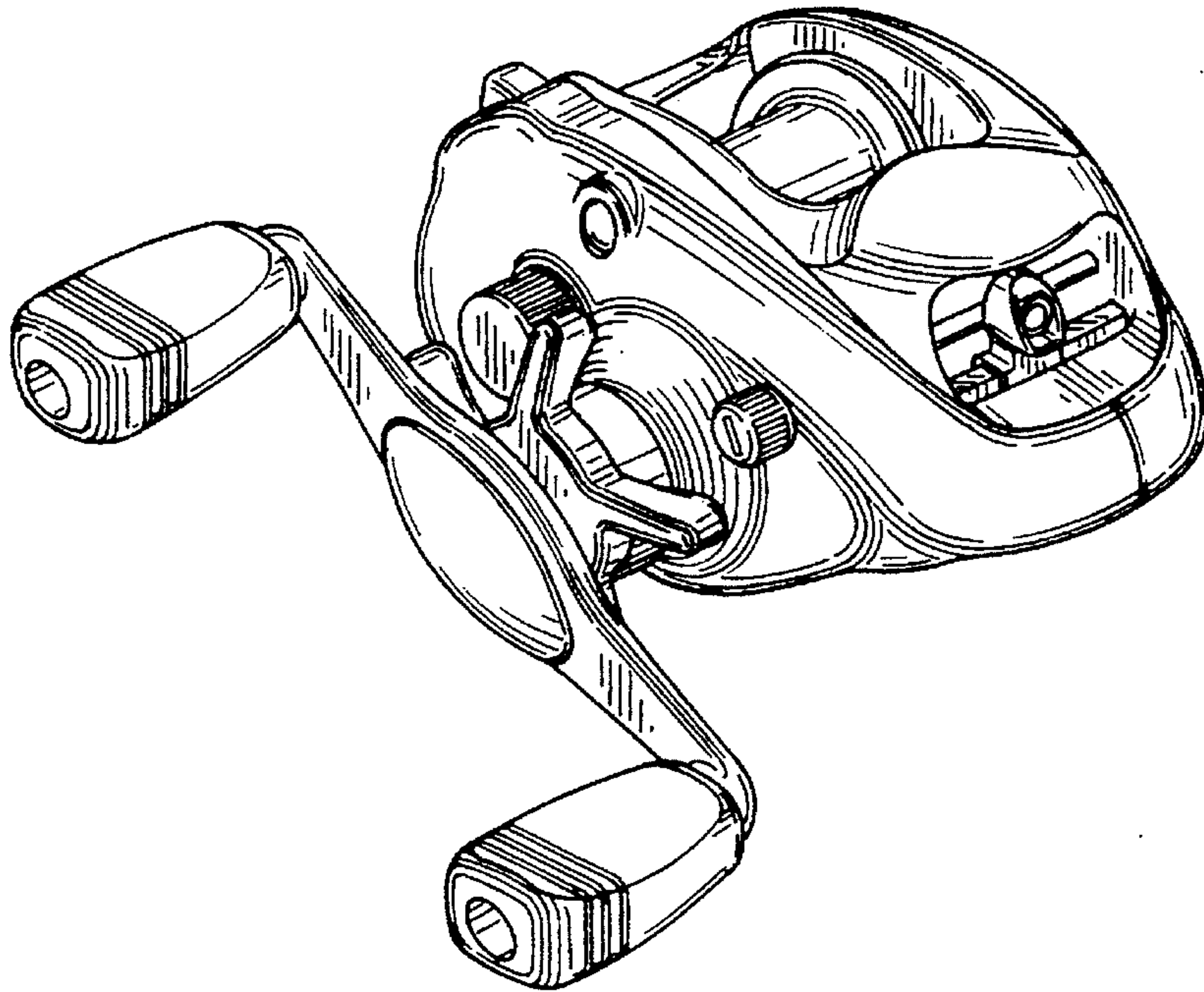


FIG. 2

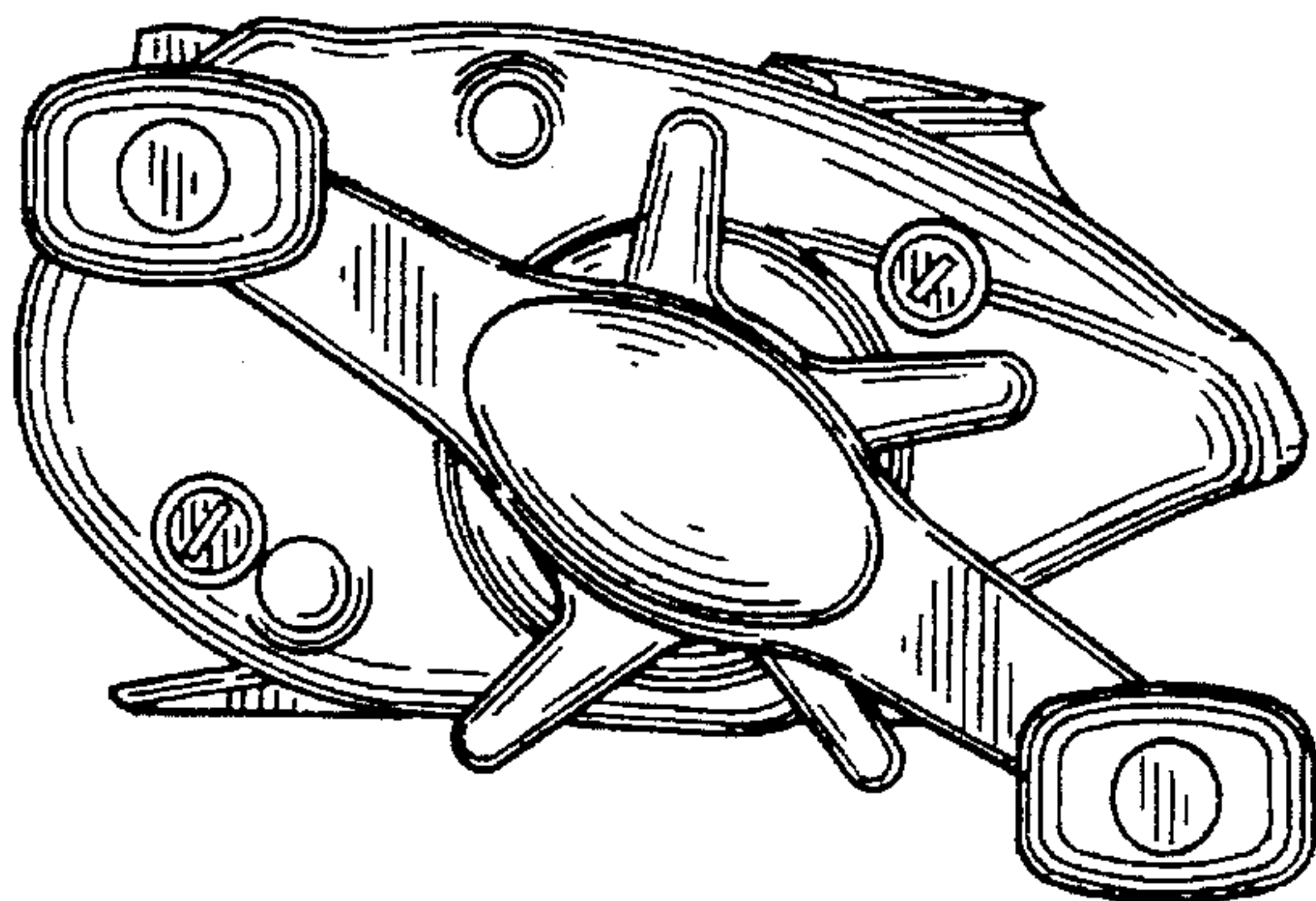


FIG. 3

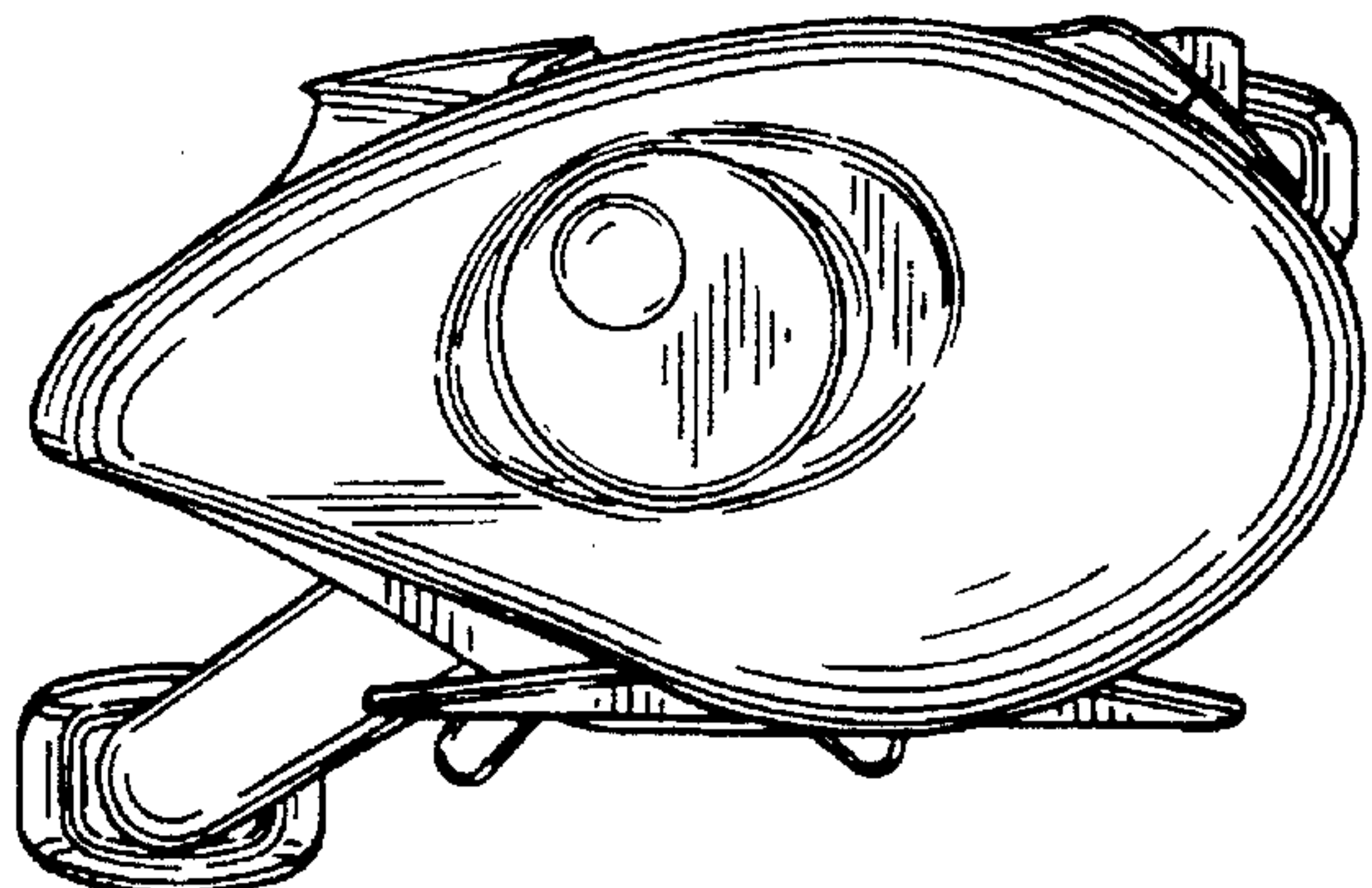


FIG. 4

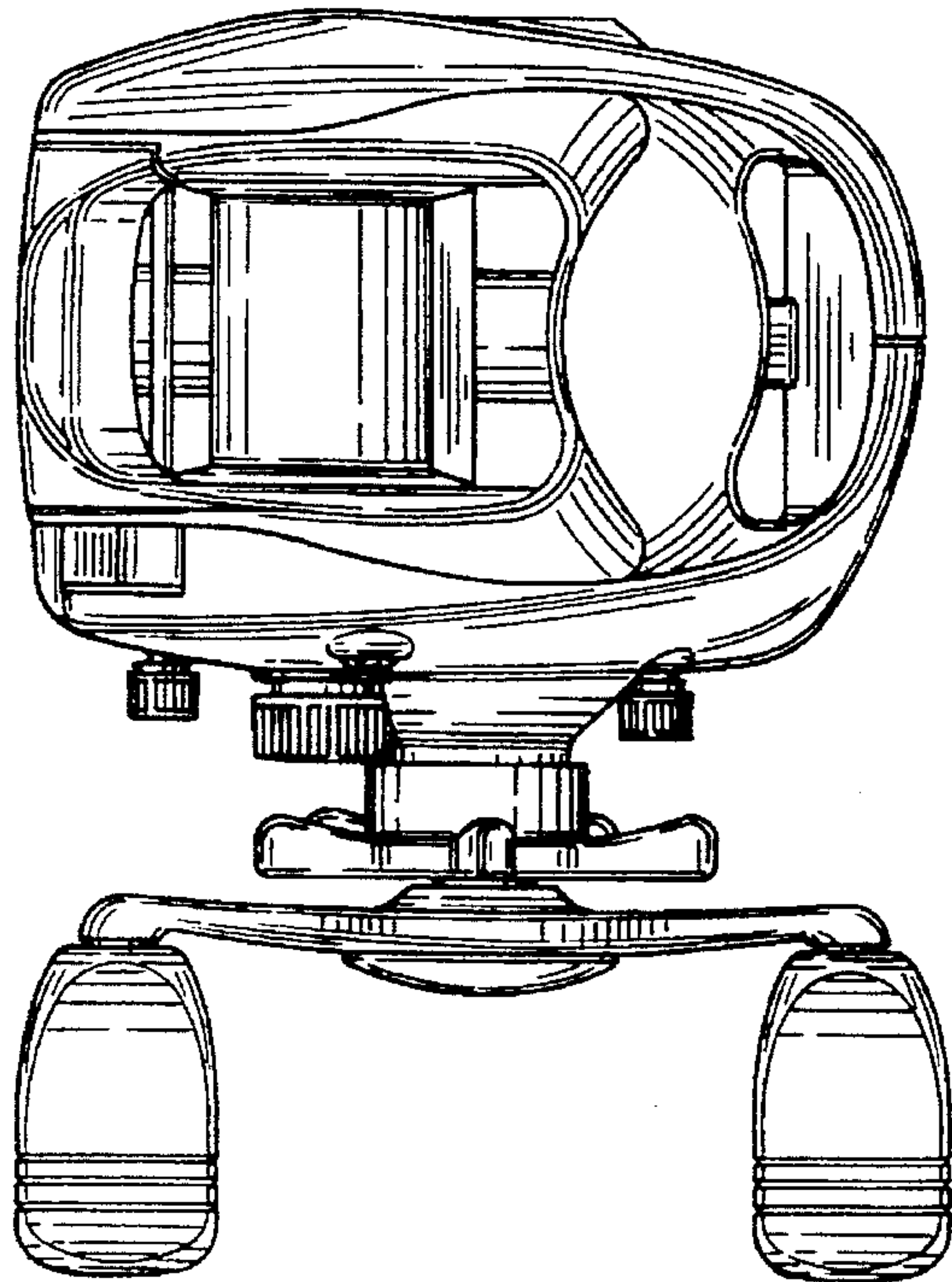


FIG. 5

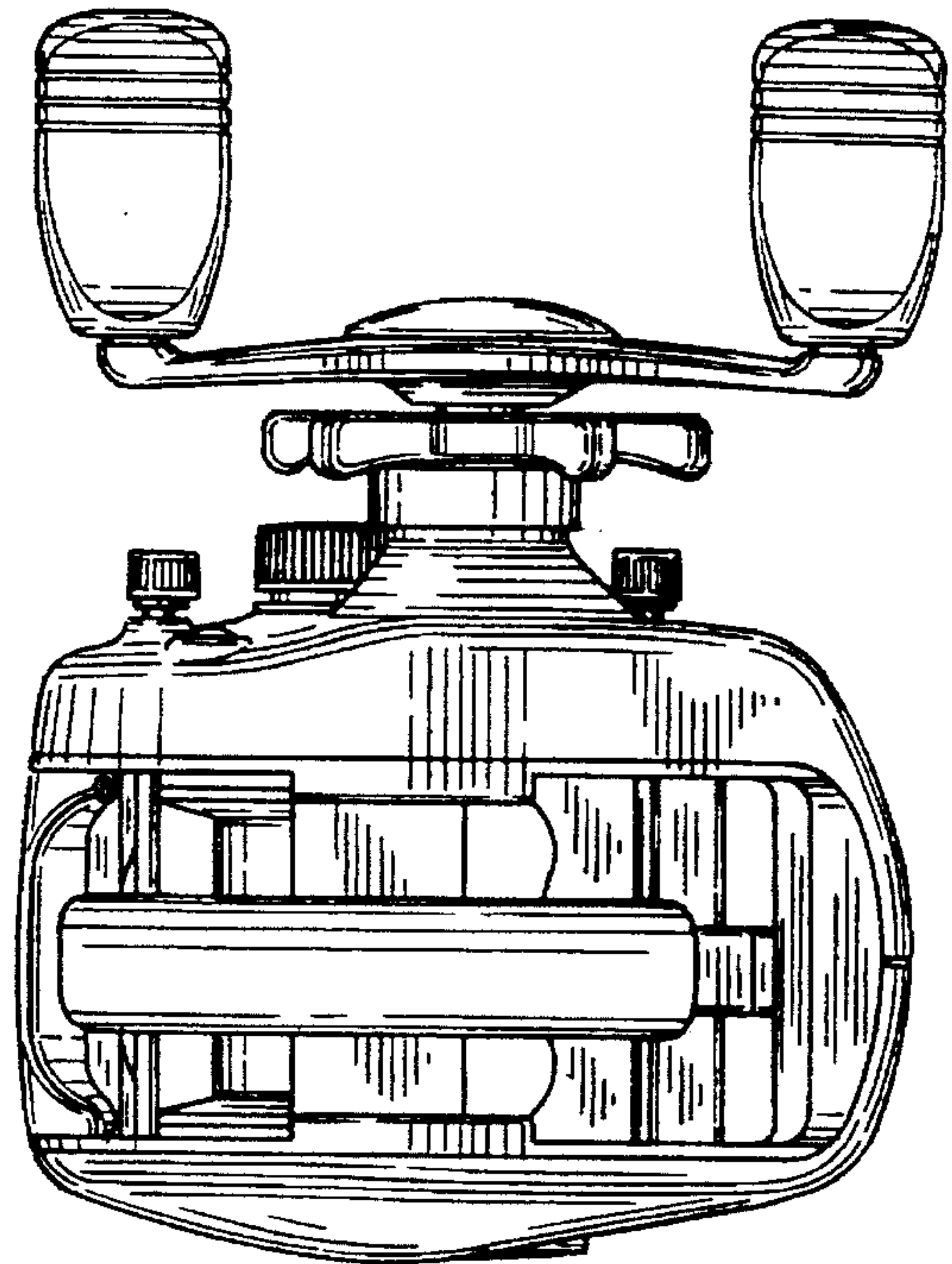


FIG. 6

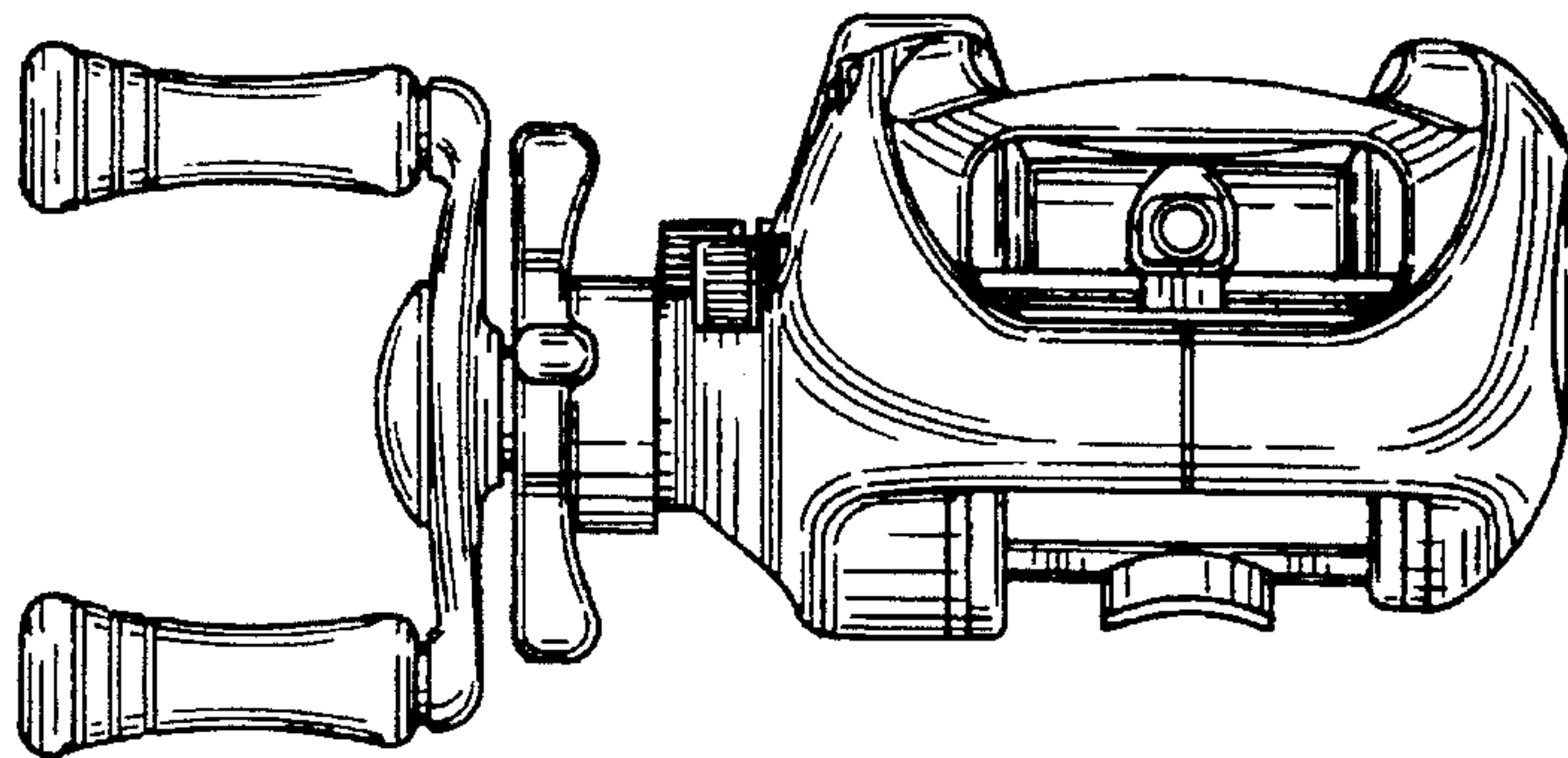
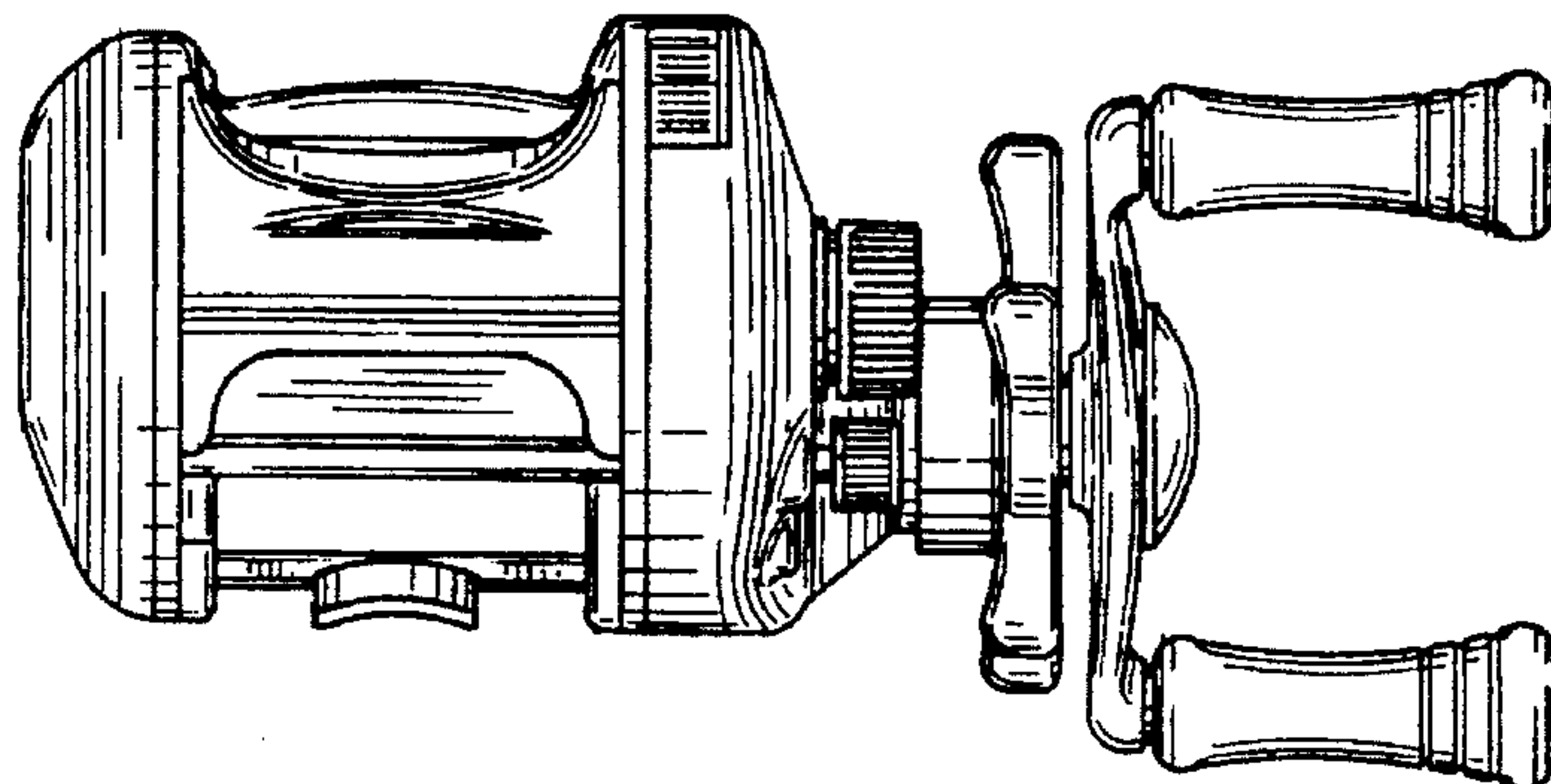


FIG. 7



UNITED STATES PATENT AND TRADEMARK OFFICE
CERTIFICATE OF CORRECTION
Page 1 of 4

PATENT NO. : Des.376,835
DATED : Dec. 24, 1996
INVENTOR(S) : Asano et al.

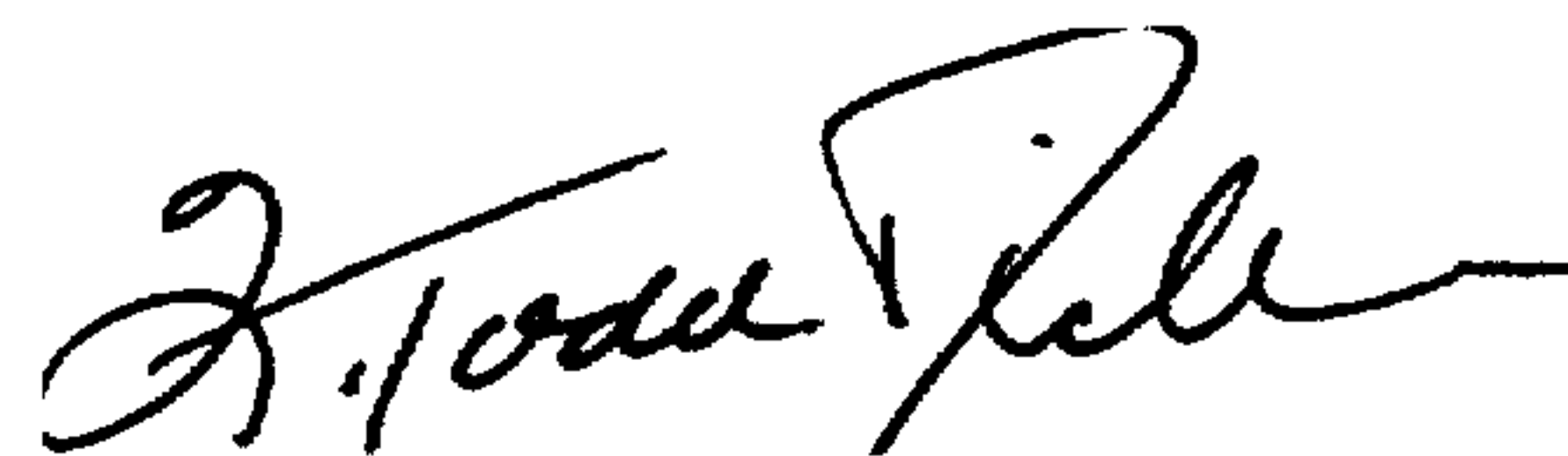
It is certified that error appears in the above-identified patent and that said Letters Patent is hereby corrected as shown below:

The title page should be deleted to appear as per attached title page.

Please delete drawing sheets 1-2 and substitute drawing sheets 1-2 as per attached.

Signed and Sealed this
Twenty-fifth Day of May, 1999

Attest:



Q. TODD DICKINSON

Attesting Officer

Acting Commissioner of Patents and Trademarks

United States Patent [19]

Asano et al.

[11] Patent Number: **Des. 376,835**

[45] Date of Patent: ****Dec. 24, 1996**

[54] **FISHING REEL**

[75] Inventors: **Shinichi Asano, Musashino; Takeo Miyazaki; Shigeo Mimura**, both of Higashikurume, all of Japan

[73] Assignee: **Daiwa Seiko, Inc.**, Tokyo, Japan

[**] Term: **14 Years**

[21] Appl. No.: **44,937**

[22] Filed: **Oct. 3, 1995**

Related U.S. Application Data

[62] Division of Ser. No. 24,974, Jun. 24, 1994, Pat. No. Des. 369,848.

[30] Foreign Application Priority Data

Dec. 27, 1993 [JP] Japan 5-39752
May 17, 1994 [JP] Japan 6-13953

[52] U.S. Cl. **D22/140**

[58] Field of Search D22/140, 141;
242/311, 312, 313, 234, 240, 282, 310

[56] References Cited

U.S. PATENT DOCUMENTS

D. 299,511 1/1989 Kameda et al. D22/140

D. 315,011	2/1991	Kameda et al.	D22/140
D. 336,325	6/1993	Asano	D22/140
D. 346,006	4/1994	Sakurai et al.	D22/140
D. 347,046	5/1994	Sakurai	D22/140
D. 349,324	8/1994	Roberts et al.	D22/140
D. 351,451	10/1994	Storz	D22/140
D. 366,690	1/1996	Storz	D22/140
D. 369,848	5/1996	Asano et al.	D22/140

Primary Examiner—Doris V. Coles
Attorney, Agent, or Firm—Cushman Darby & Cushman, L.L.P.

[57] CLAIM

The ornamental design for a fishing reel, as shown and described.

DESCRIPTION

FIG. 1 is a front, top and right side of the perspective view of a fishing reel showing our new design; FIG. 2 is a front elevational view thereof; FIG. 3 is a rear elevational view thereof; FIG. 4 is a top plan view thereof; FIG. 5 is a bottom view thereof; FIG. 6 is a right side elevational view thereof; and, FIG. 7 is a left side elevational view thereof.

1 Claim, 2 Drawing Sheets

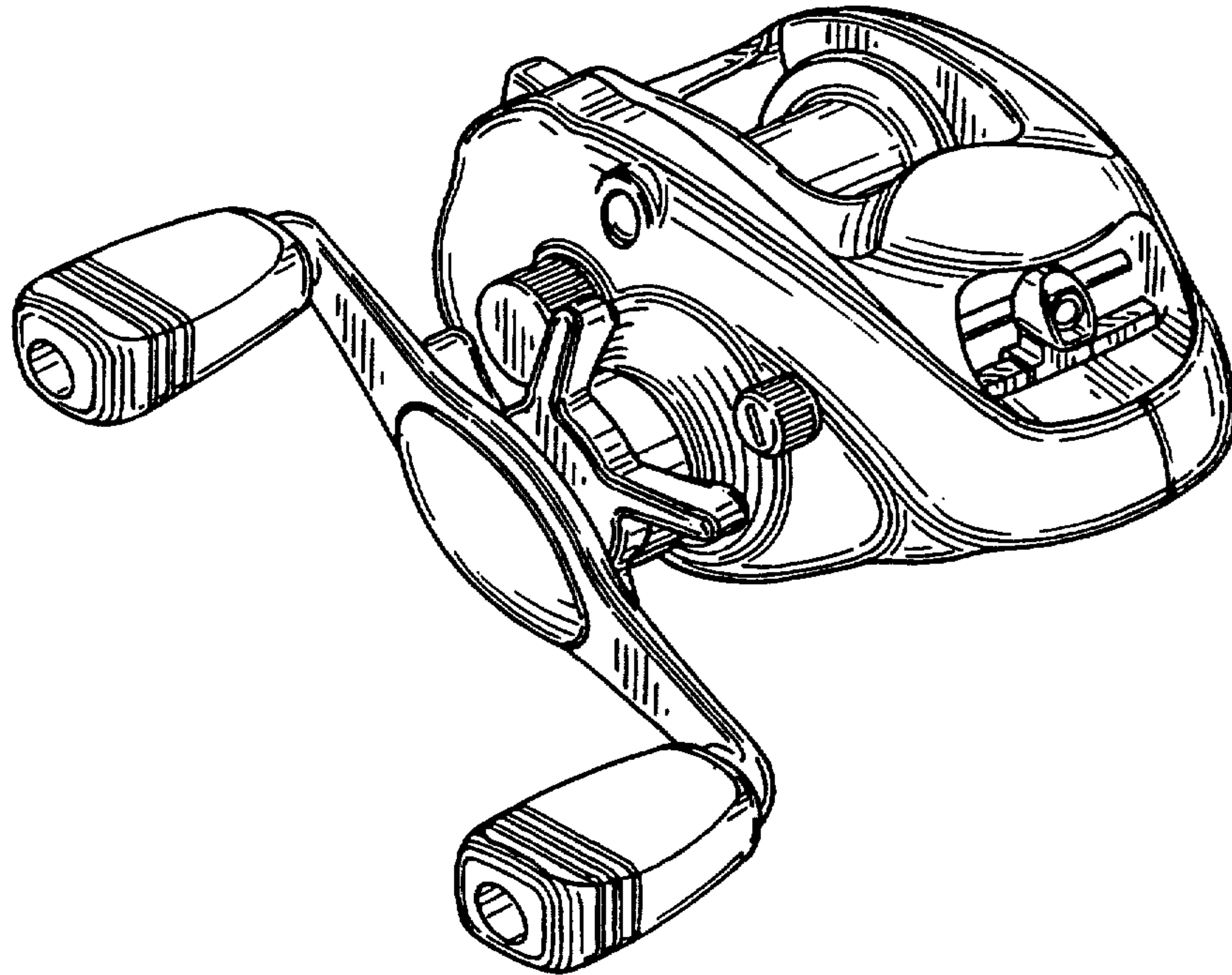


FIG. 1

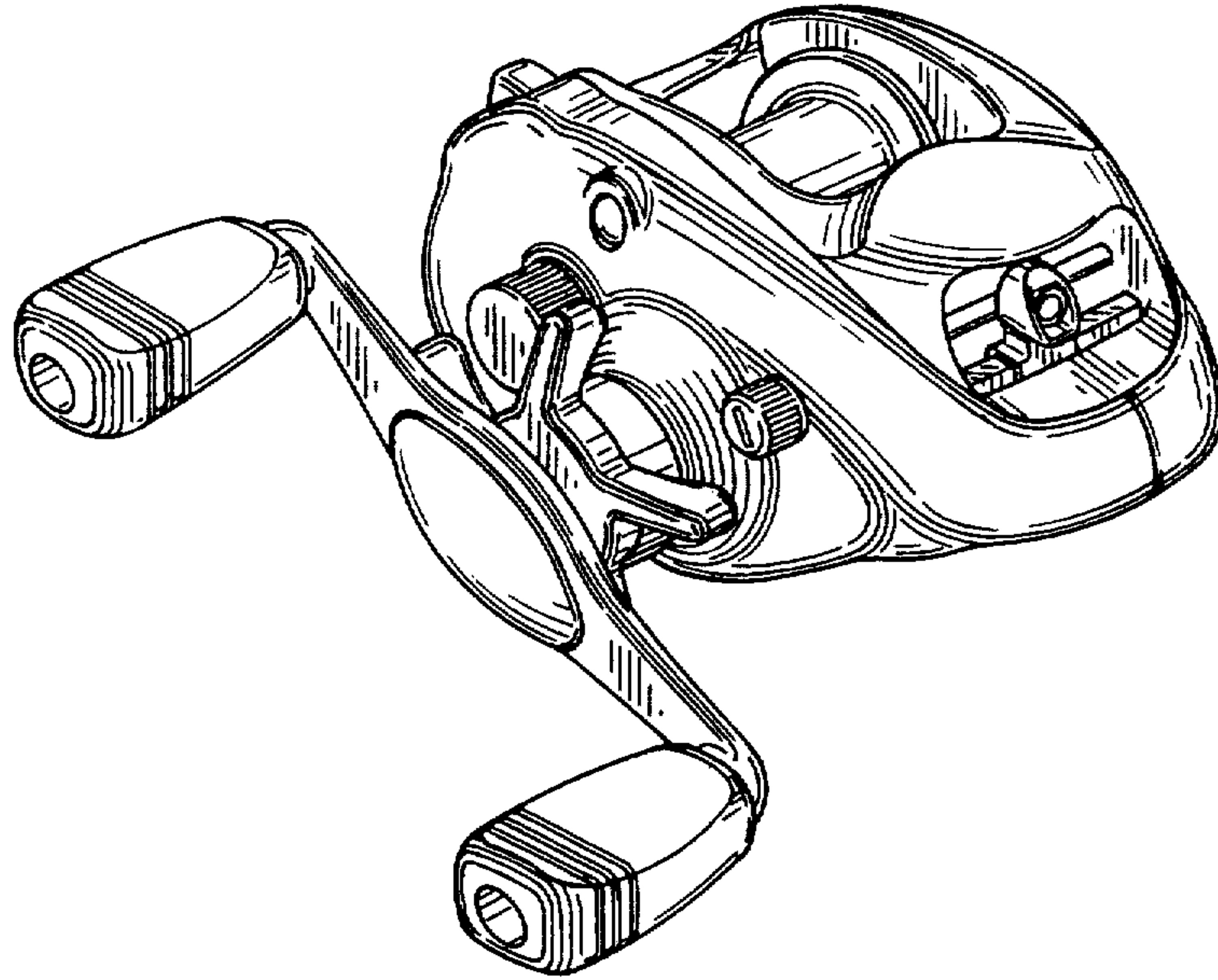


FIG. 2

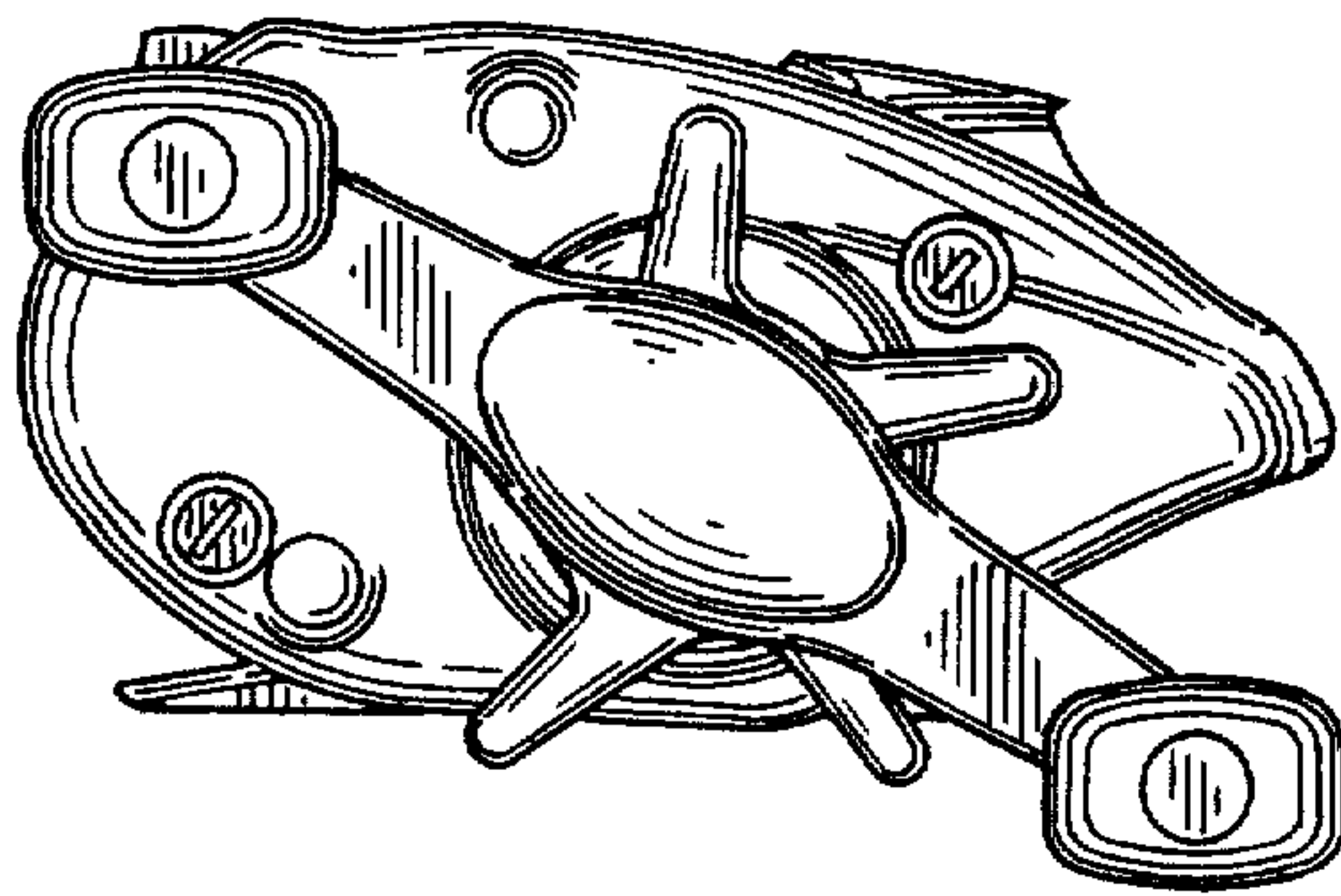


FIG. 3

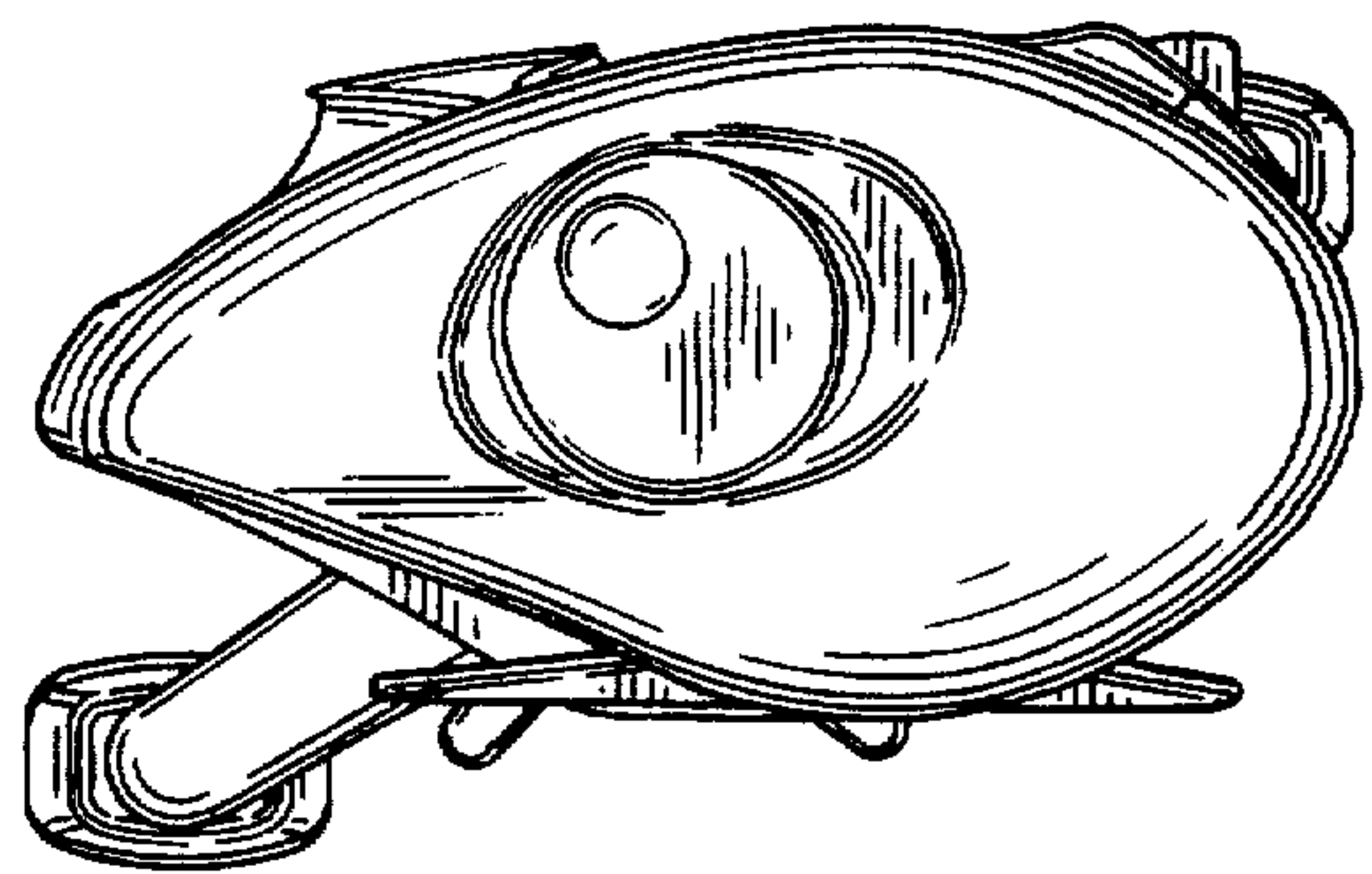


FIG. 4

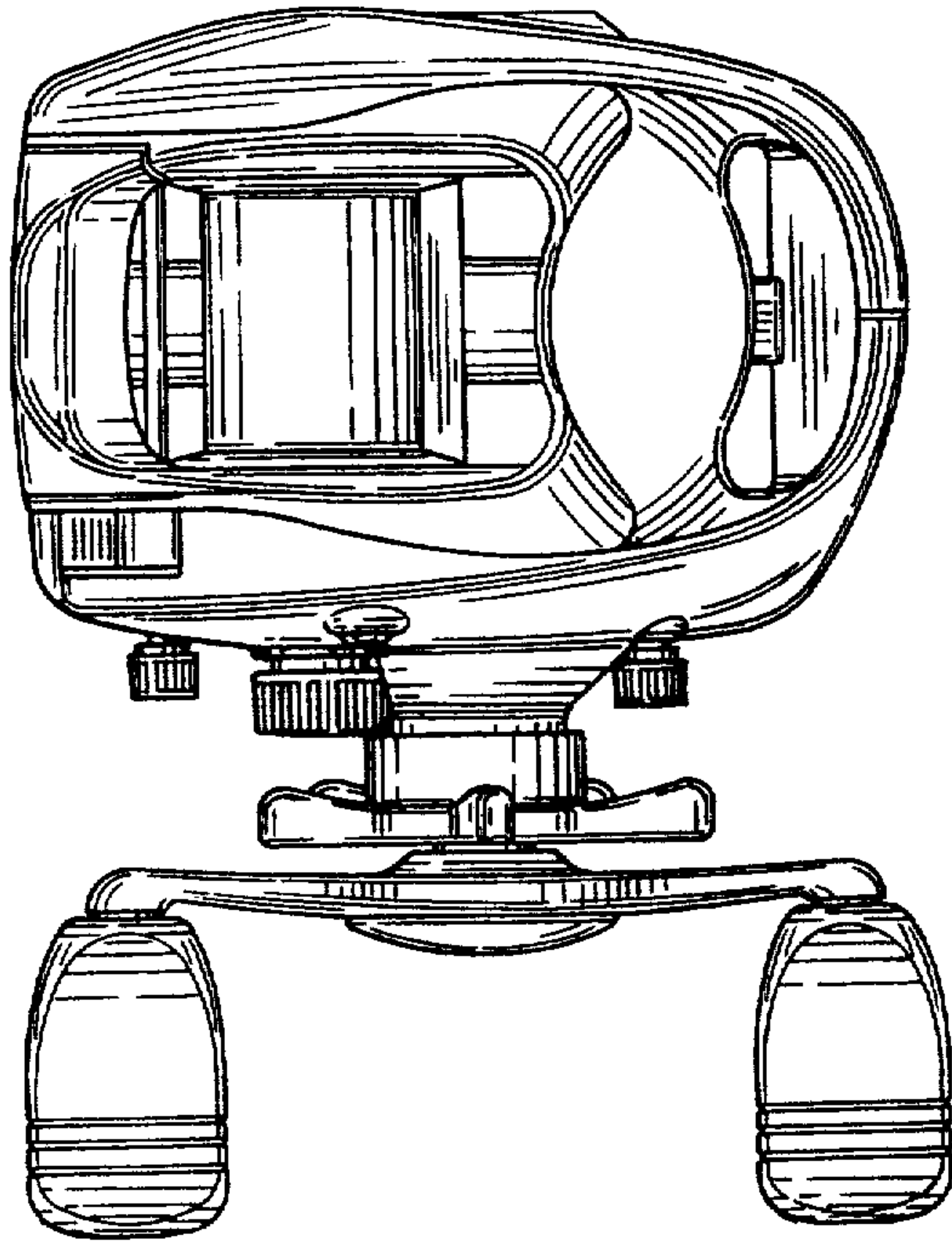


FIG. 5

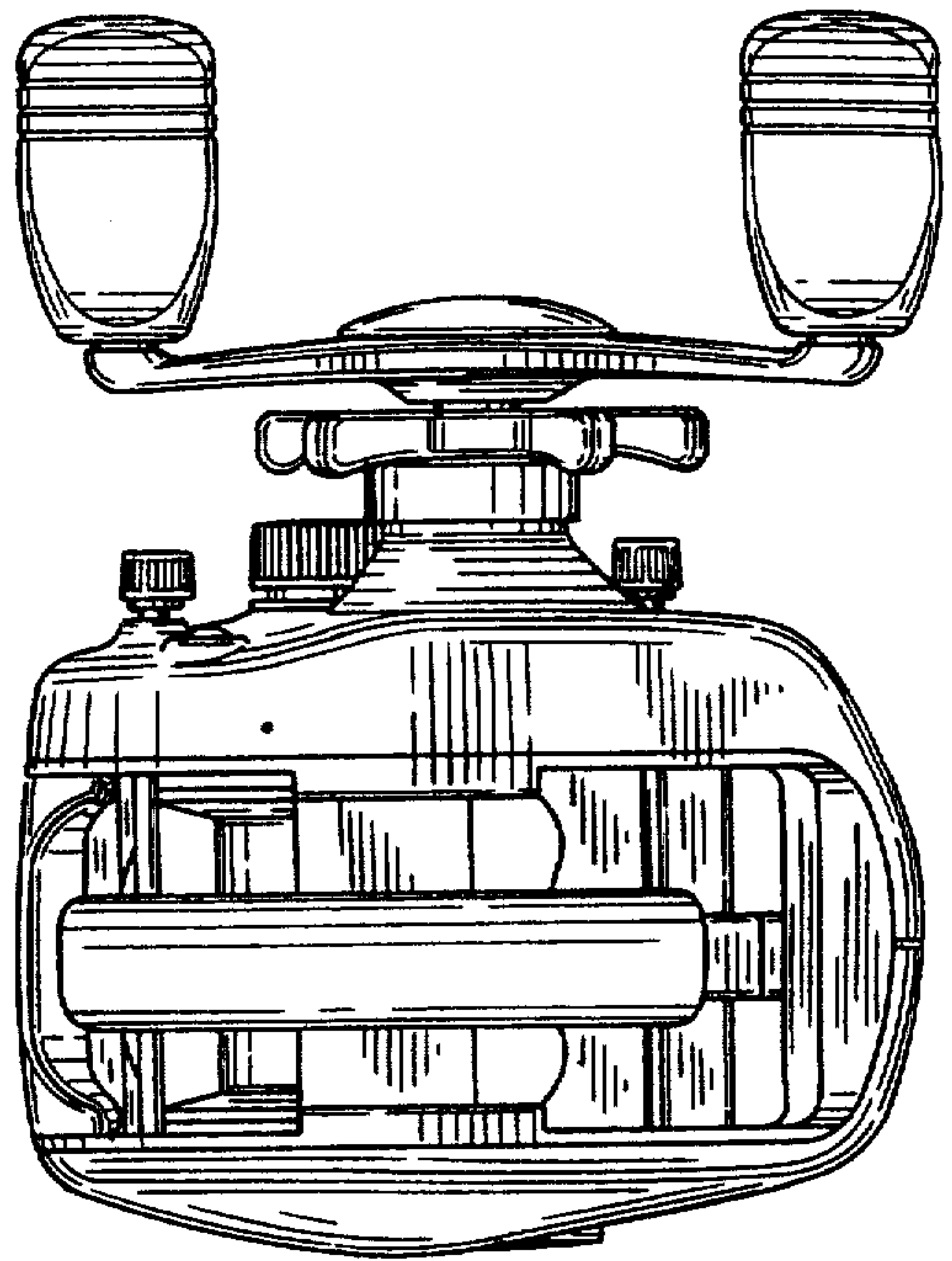


FIG. 6

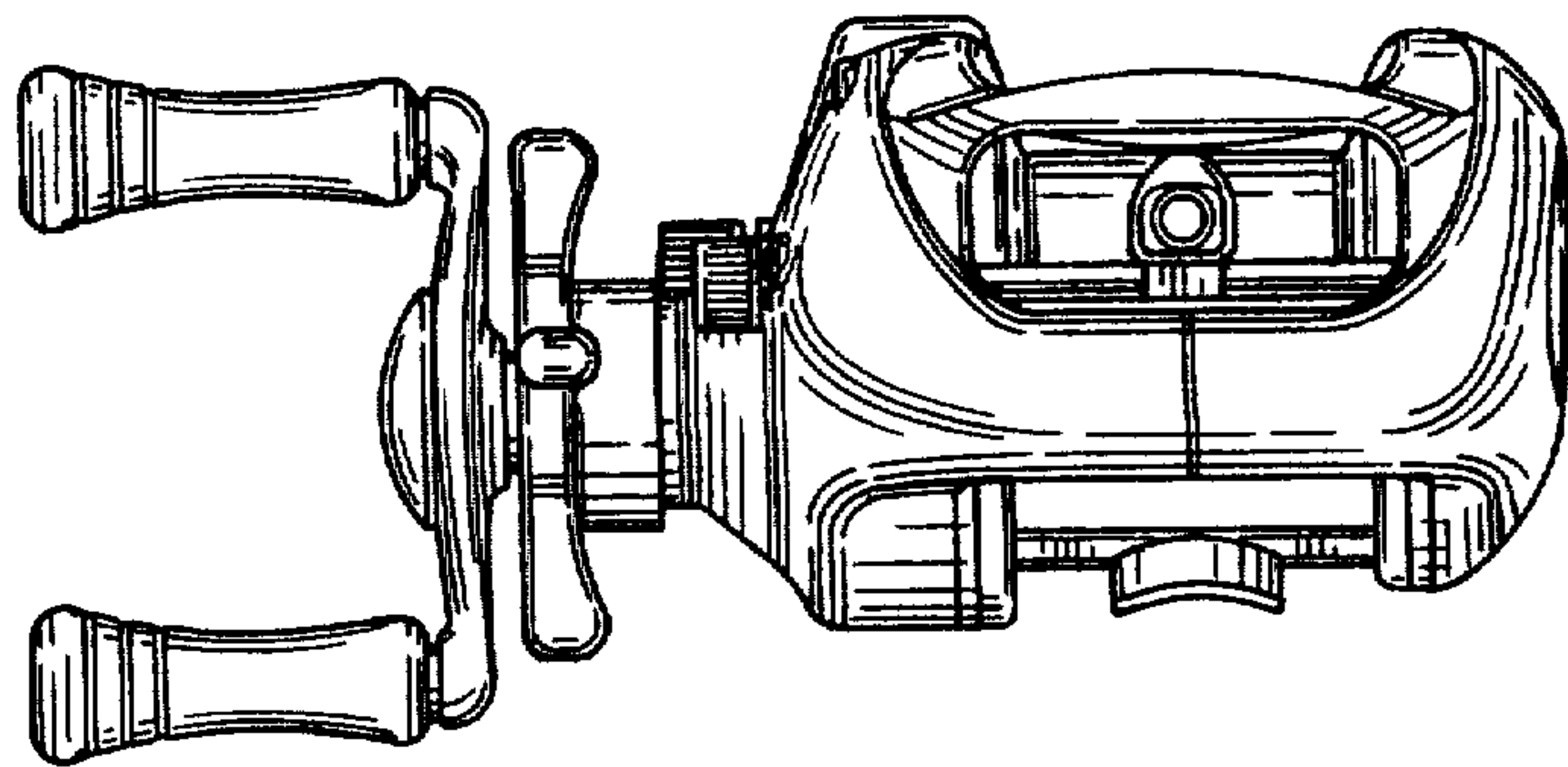


FIG. 7

