



US00D376834S

# United States Patent [19]

Moore

[11] Patent Number: Des. 376,834

[45] Date of Patent: \*\*Dec. 24, 1996

[54] FISH LURE

[76] Inventor: Mark H. Moore, #5 Lakeview Dr.,  
Haines City, Fla. 32789

[\*\*] Term: 14 Years

[21] Appl. No.: 45,769

[22] Filed: Oct. 30, 1995

[52] U.S. Cl. .... D22/133

[58] Field of Search ..... D22/126, 131,  
D22/133; 43/42.37, 42.24, 42.35, 42.45,  
42.48, 42.32, 42.34

[56] **References Cited**

**U.S. PATENT DOCUMENTS**

D. 232,549	8/1974	Vidler .....	D22/133
D. 234,762	4/1975	Price .....	D22/131
D. 334,966	4/1993	Chambers, Sr. ....	D22/126 X
2,008,437	7/1935	DeWitt .....	43/42.35
3,070,917	1/1963	Rowe, Sr. ....	D22/131 X
5,193,299	3/1993	Correll et al. ....	43/42.45 X
5,456,039	10/1995	Pisoni et al. ....	D22/133 X

**FOREIGN PATENT DOCUMENTS**

1501858	11/1967	France .....	43/42.35
560221	3/1944	United Kingdom .....	D22/133

Primary Examiner—Doris V. Coles  
Attorney, Agent, or Firm—Penrose Lucas Albright

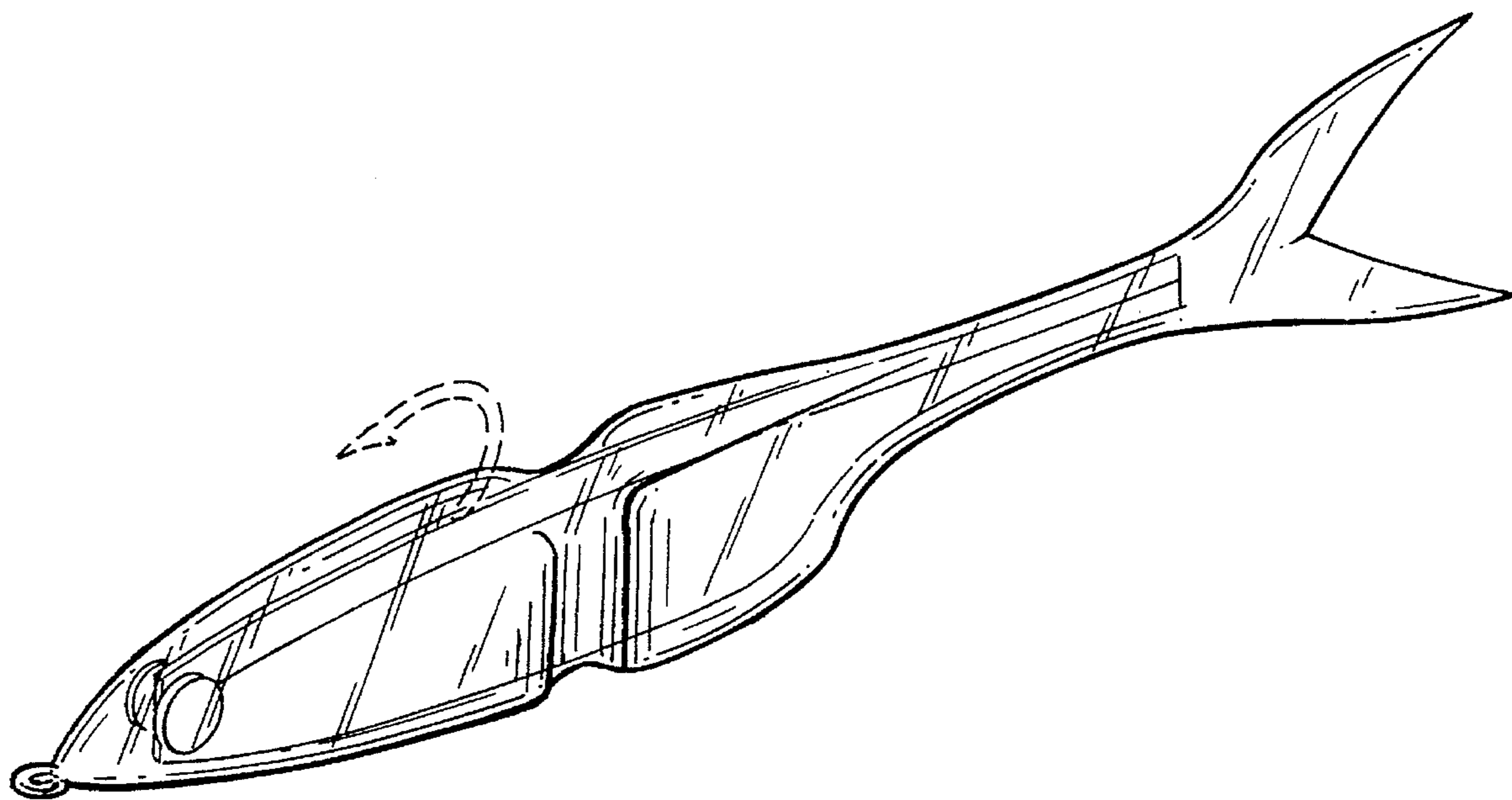
[57] **CLAIM**

The ornamental design for a fish lure, as shown.

**DESCRIPTION**

FIG. 1 is a three-quarter perspective view of a fish lure showing front, top and left side views my new design; FIG. 2 is a right side elevational view thereof; FIG. 3 is a bottom plan view thereof; FIG. 4 is a rear elevational view thereof; and, FIG. 5 is a sectional view along the line 5—5 in FIG. 3 to disclose the gradient reflectiveness of a ribbon visible through translucent material of the fish lure in elevational view of my design. The broken line showing of part of a hook in FIGS. 1, 2, 4 and 5 is for illustrative purposes only and forms no part of the claimed design.

1 Claim, 2 Drawing Sheets



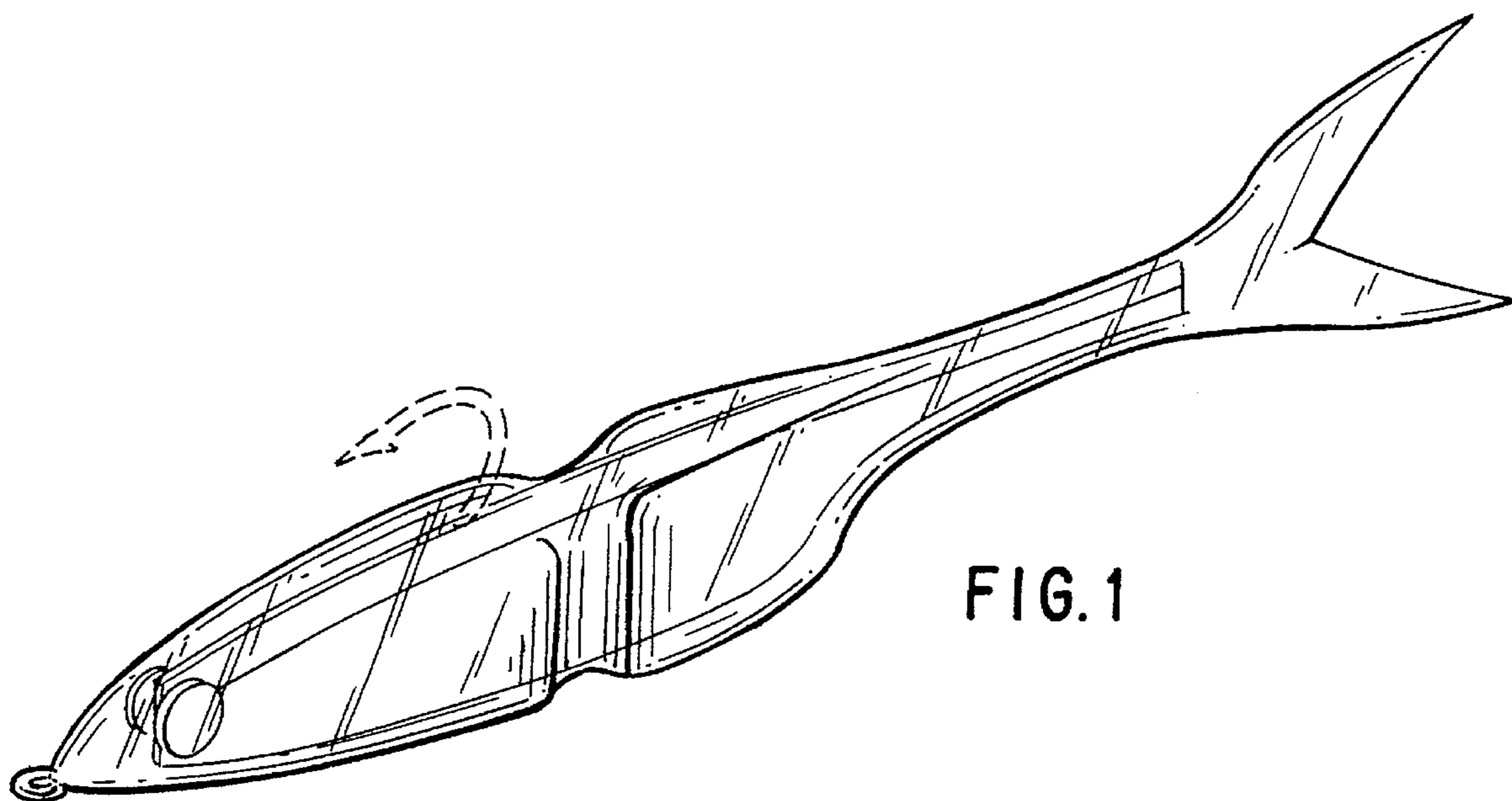


FIG. 1

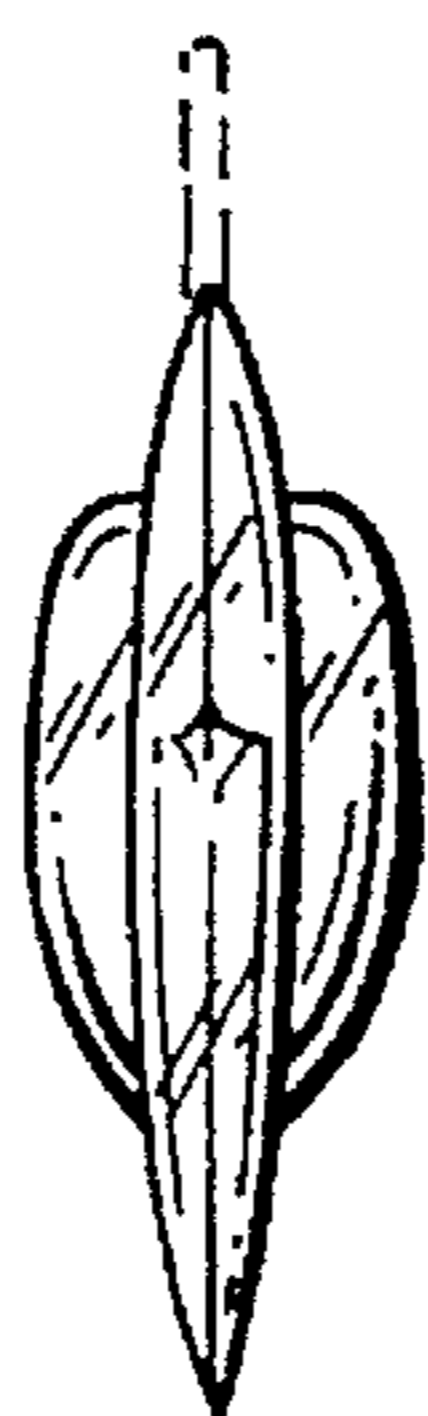


FIG. 4

FIG. 2

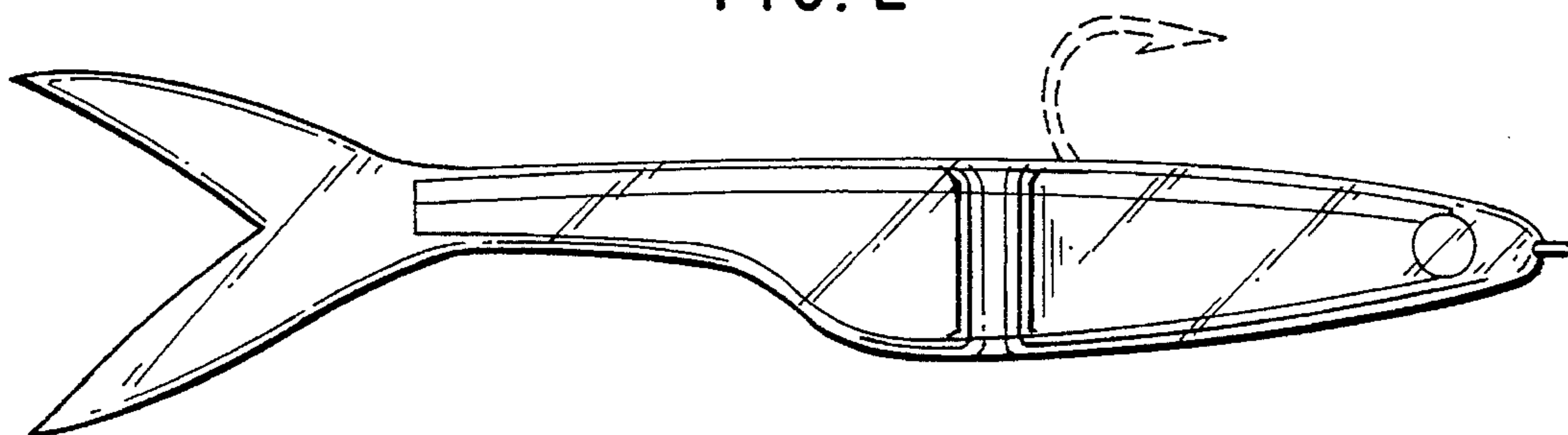


FIG. 3

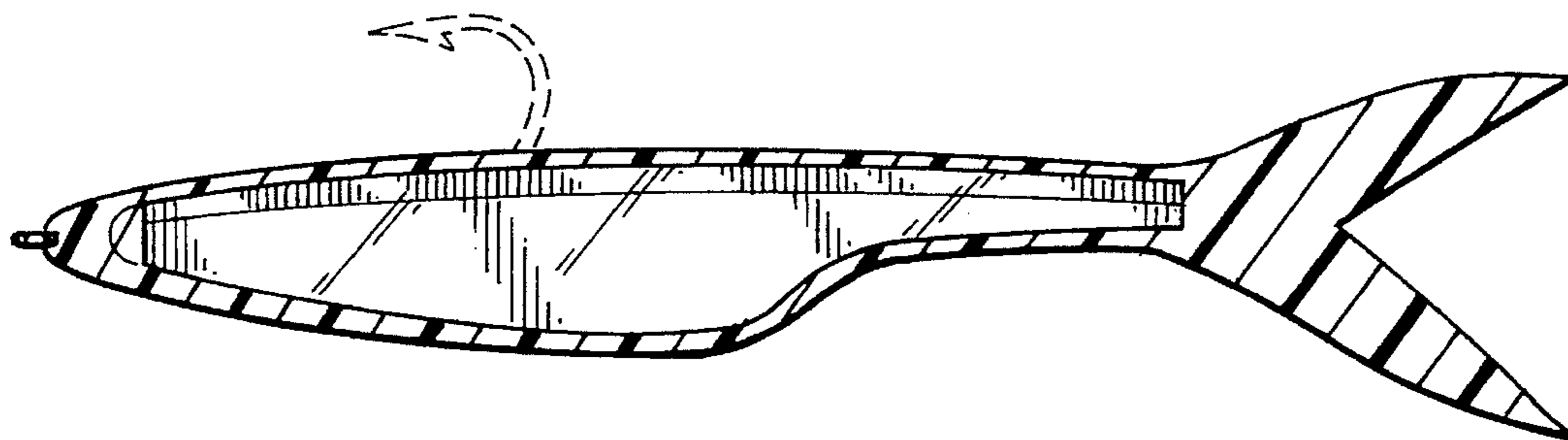


FIG. 5