



US00D376832S

# United States Patent [19] Mills

[11] Patent Number: **Des. 376,832**

[45] Date of Patent: **\*\*Dec. 24, 1996**

[54] **BOW SUPPORT**

[76] Inventor: **Kenneth R. Mills**, P.O. Box 54,  
Sarepta, La. 71071

[\*\*] Term: **14 Years**

[21] Appl. No.: **44,121**

[22] Filed: **Sep. 18, 1995**

[52] U.S. Cl. .... **D22/107; D22/199**

[58] Field of Search ..... **D22/107, 100,  
D22/108, 199; 42/94; D6/429; 248/121,  
125.8, 163.1, 309.1, 354.1; 211/64**

[56] **References Cited**

**U.S. PATENT DOCUMENTS**

D. 355,694	2/1995	Stafford, Jr. ....	D6/552 X
680,231	8/1901	Deppe .....	248/125.8
853,118	5/1907	Richey .....	248/309.1 X
1,290,809	1/1919	Truax .....	248/121 X
1,409,852	3/1922	Harvey .....	248/163.1
3,285,554	11/1966	Voelkerding .....	248/121
4,936,531	6/1990	Bauser .....	211/64 X

*Primary Examiner*—Louis S. Zarfes  
*Assistant Examiner*—Monica Hannon  
*Attorney, Agent, or Firm*—John M. Harrison

[57] **CLAIM**

The ornamental design for a bow support, as shown and described.

**DESCRIPTION**

FIG. 1 is a perspective view of the bow support, showing my new design;

FIG. 2 is a left side elevation of the bow support;

FIG. 3 is a right side elevation thereof;

FIG. 4 is a front elevation thereof;

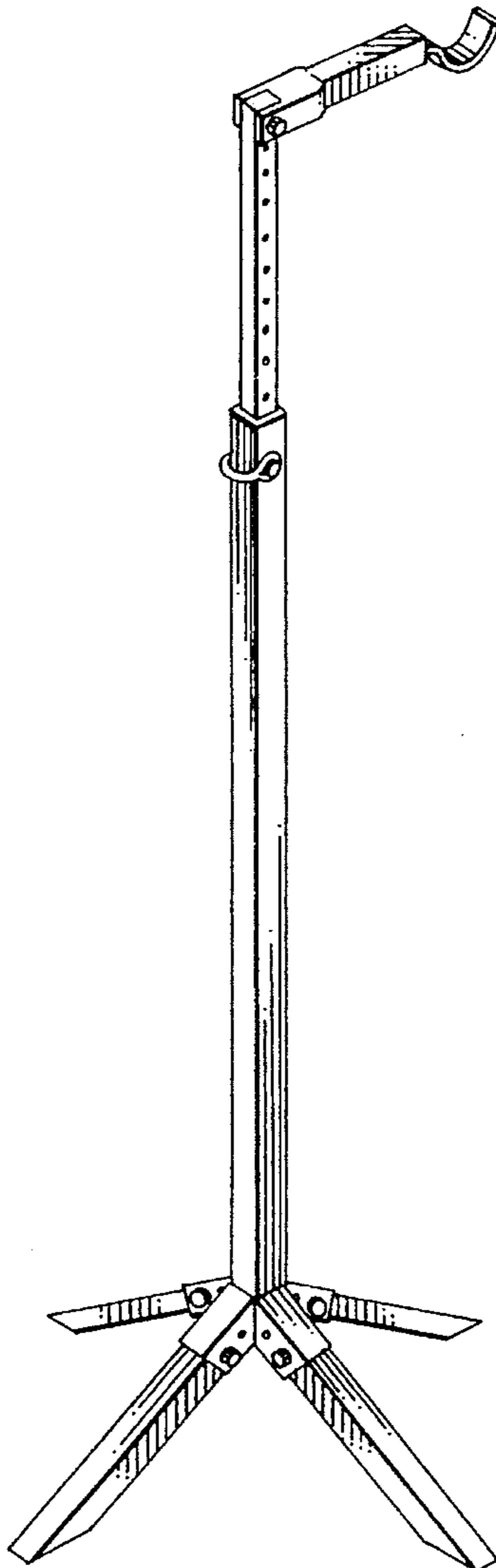
FIG. 5 is a rear elevation thereof;

FIG. 6 is a top elevation thereof; and,

FIG. 7 is a bottom elevation of the bow support illustrated in FIGS. 1-6.

The bow support is shown broken away in the views for ease of illustration.

**1 Claim, 2 Drawing Sheets**



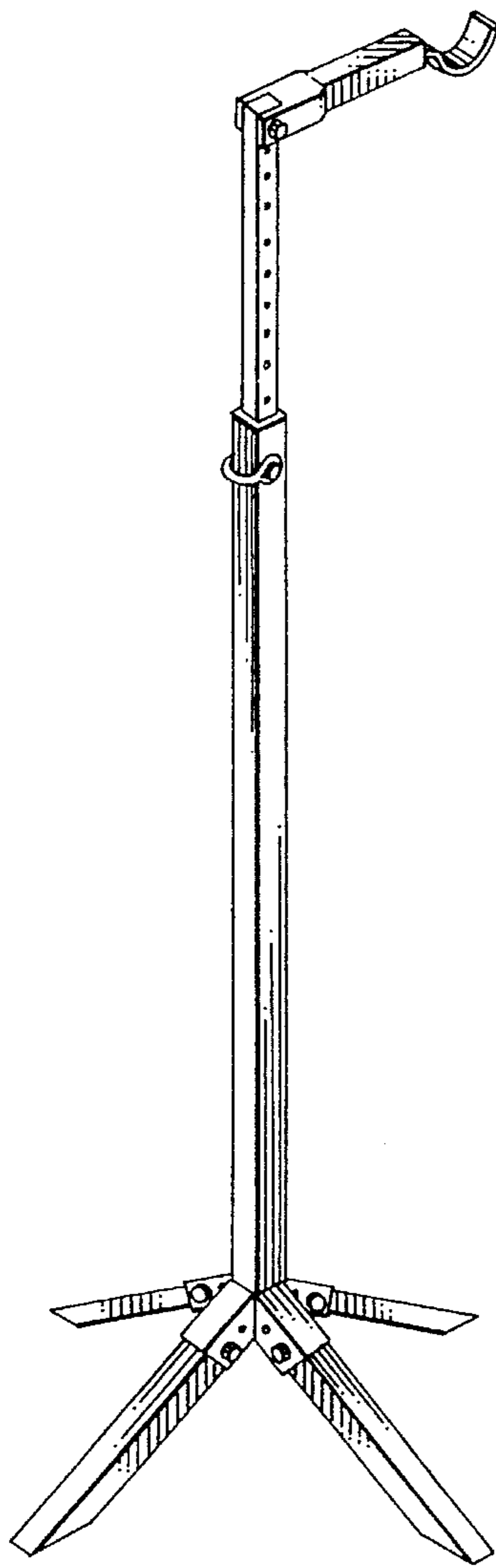


FIG. 1

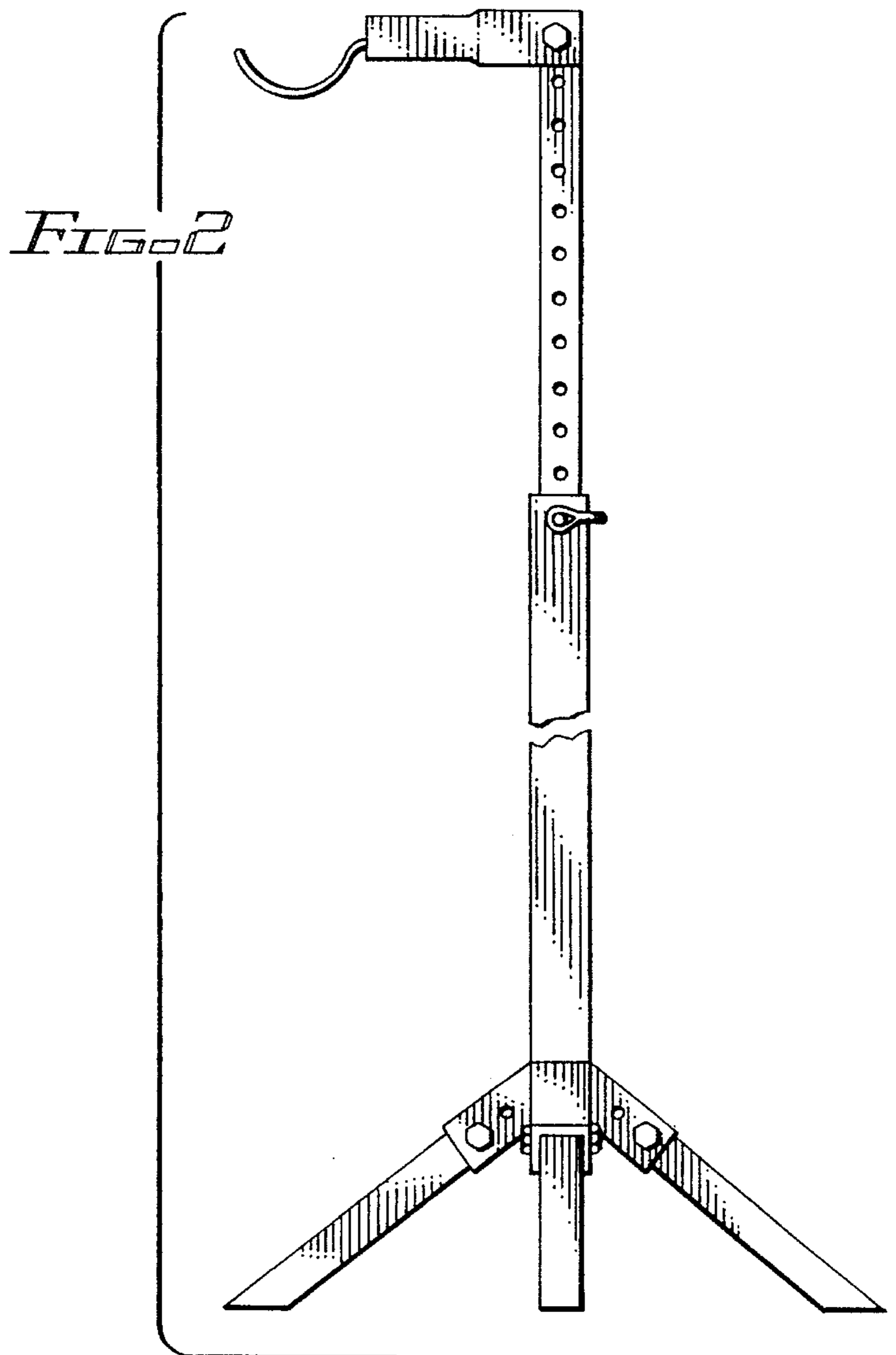


FIG. 2

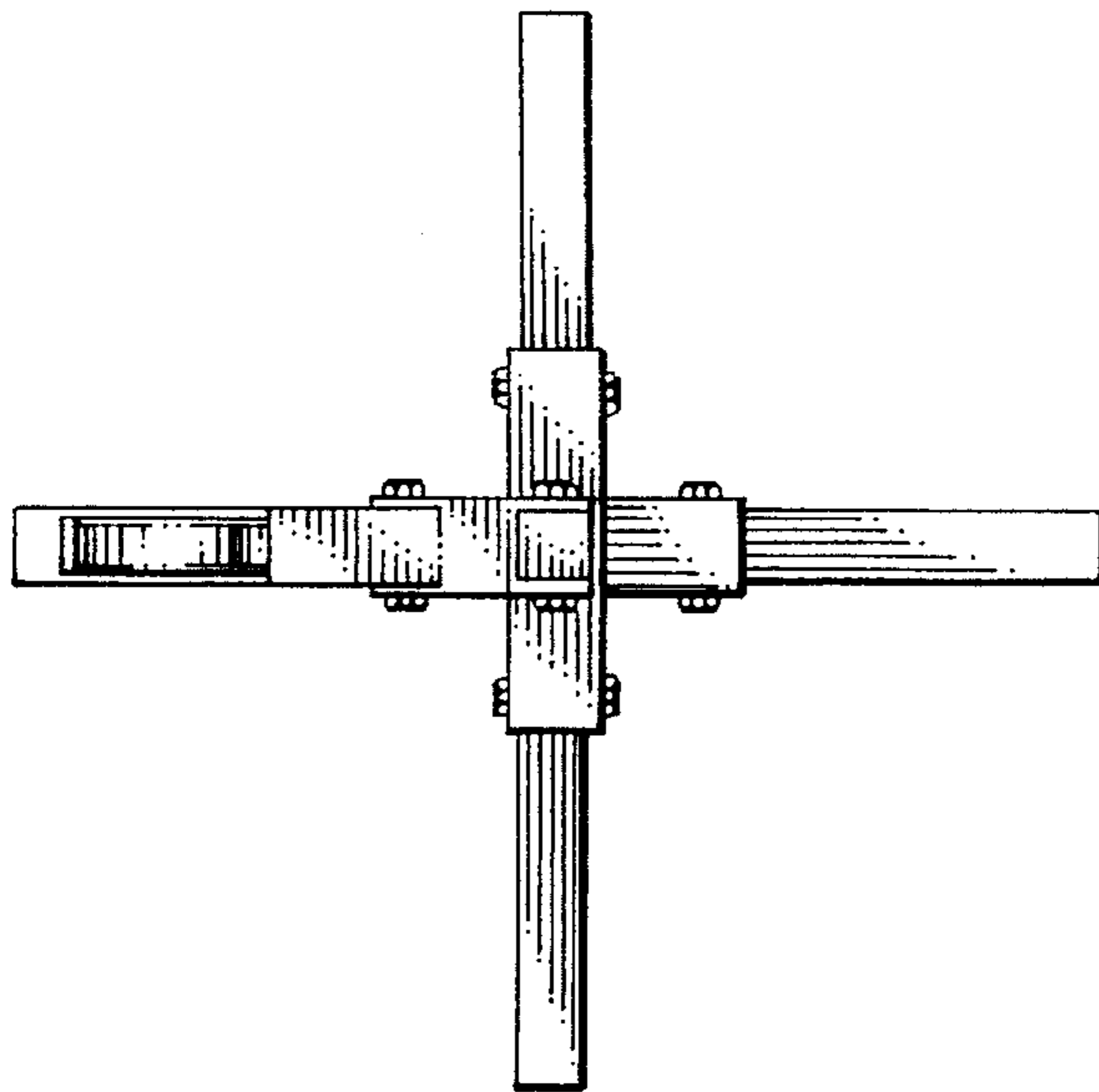


FIG. 6

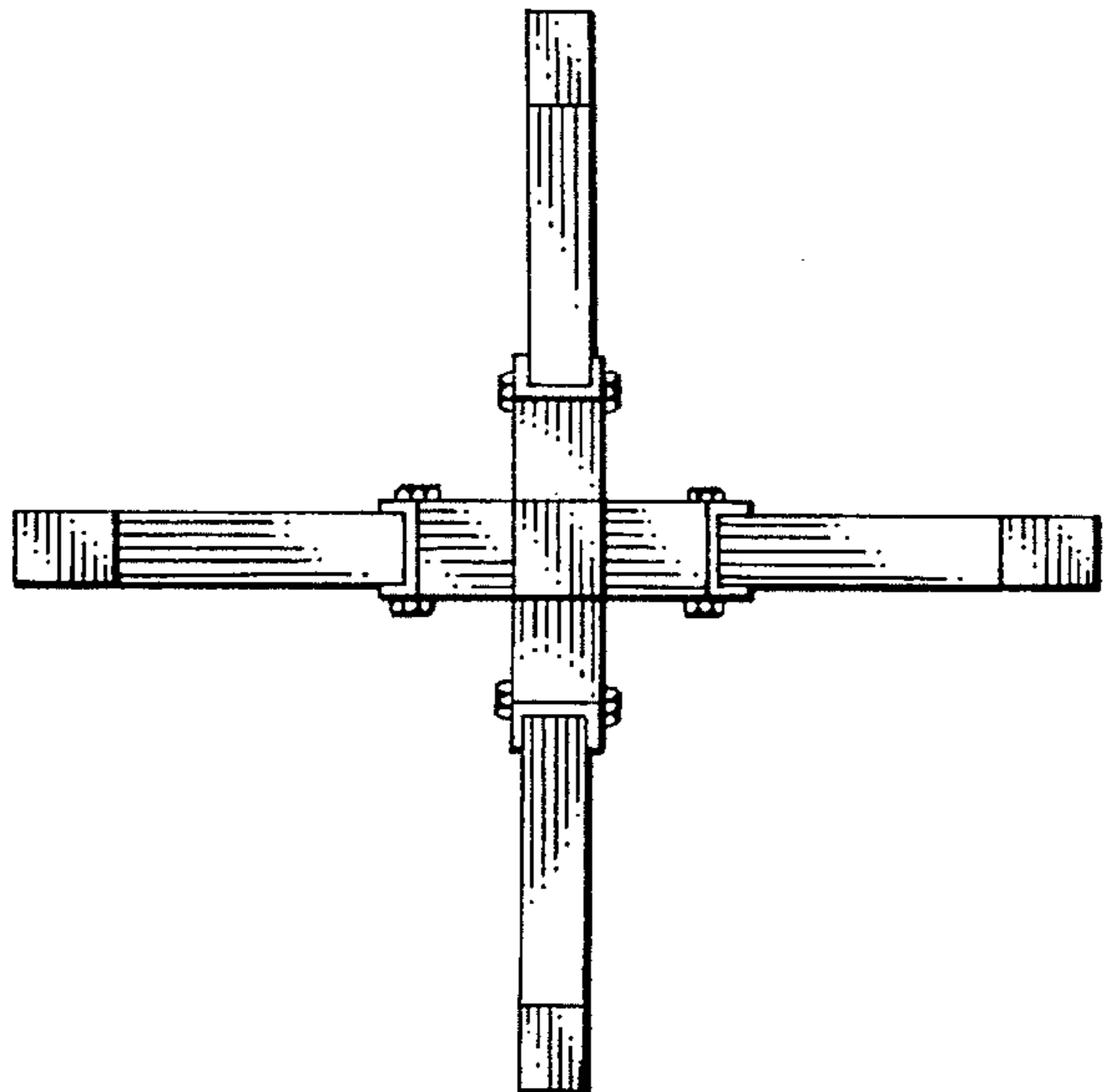


FIG. 7

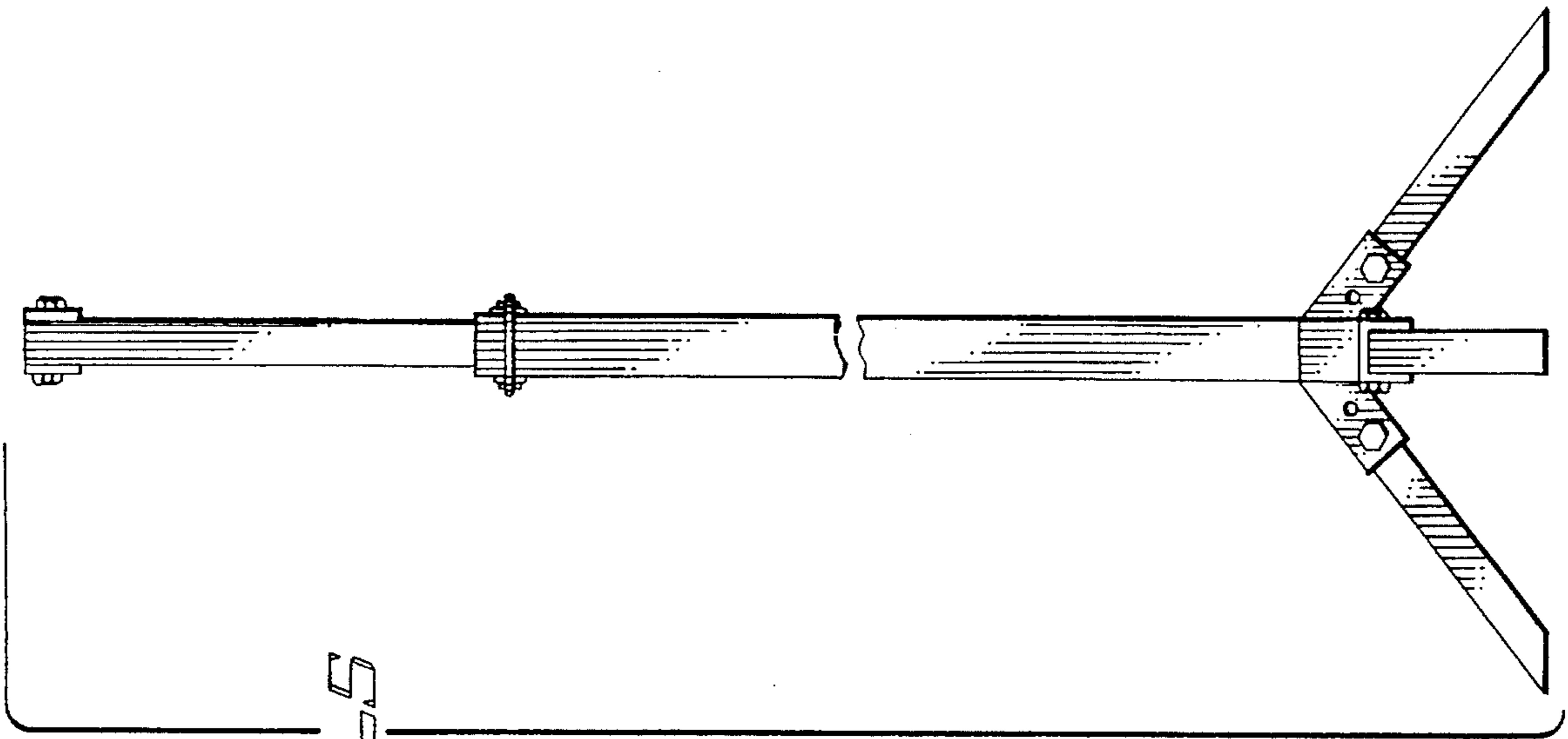


FIG. 5

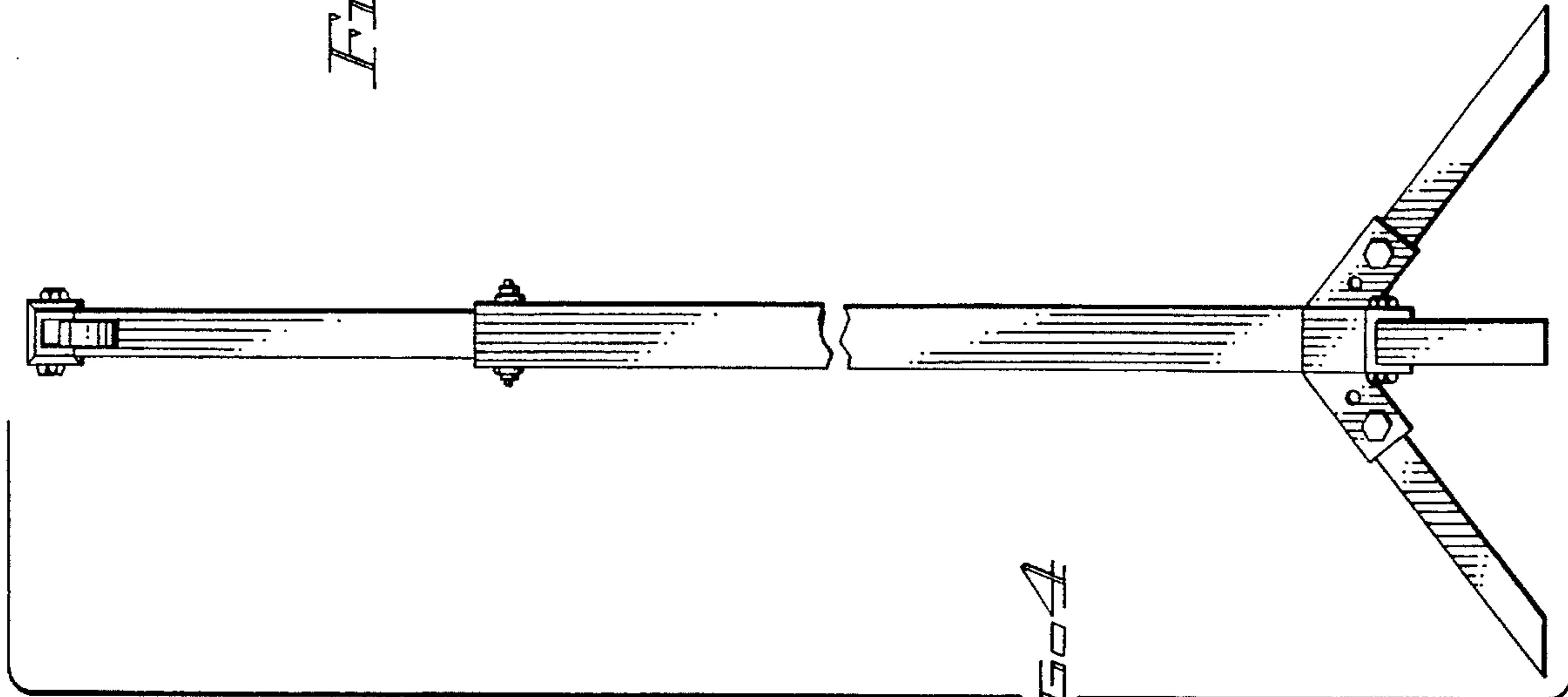


FIG. 4

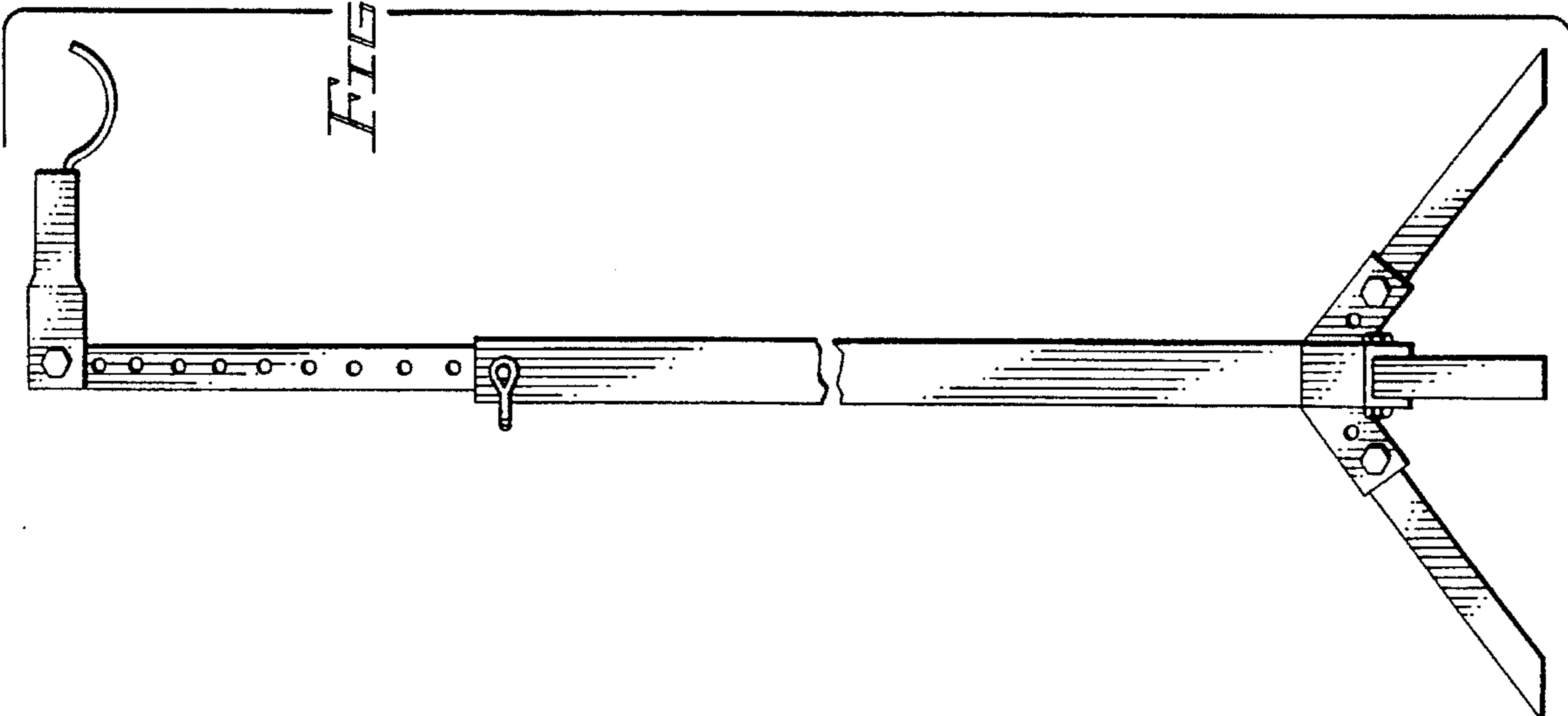


FIG. 3