



US00D376830S

United States Patent [19]

[11] Patent Number: **Des. 376,830**

Bess

[45] Date of Patent: ****Dec. 24, 1996**

[54] **GOLF TEE**

3,122,846 3/1964 Trent D21/234 X
3,697,082 10/1972 Di Laura et al. 473/388

[76] Inventor: **William W. Bess, 5731 E. Duncan St.,
Mesa, Ariz. 85205**

Primary Examiner—Prabhakar G. Deshmukh
Assistant Examiner—Cheri Cohen

[**] Term: **14 Years**

[57] **CLAIM**

[21] Appl. No.: **46,101**

The ornamental design for a golf tee, as shown and described.

[22] Filed: **Nov. 7, 1995**

[52] U.S. Cl. **D21/208**

DESCRIPTION

[58] Field of Search D21/208, 234,
D21/108; 473/387-403, 386, 284, 406,
408, 131, 278; 248/545; 434/252

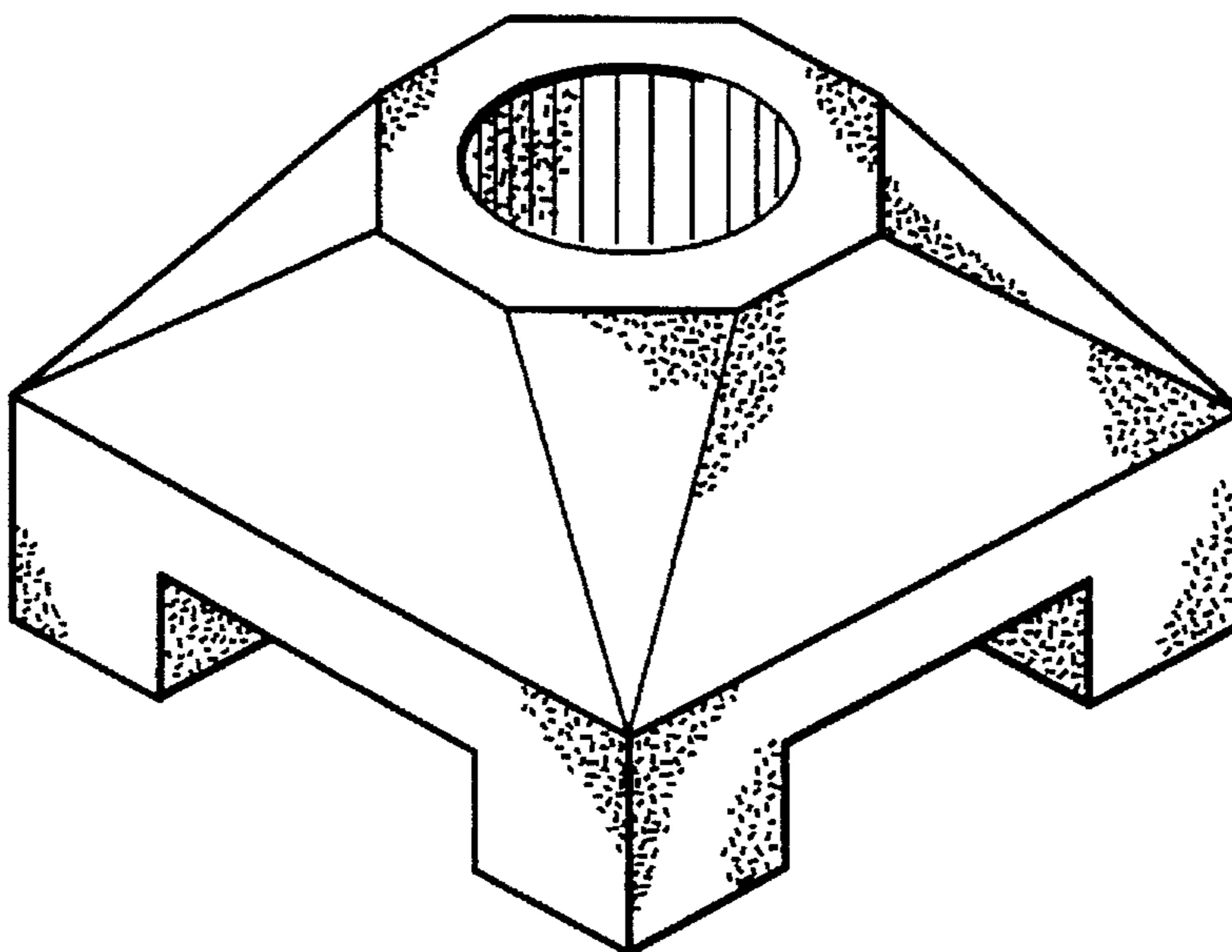
FIG. 1 is a top perspective view of a golf tee showing my new design;
FIG. 2 is a bottom perspective view thereof;
FIG. 3 is a top plan view thereof;
FIG. 4 is a side elevation view thereof, the other sides being identical; and,
FIG. 5 is a bottom plan view thereof.

[56] **References Cited**

U.S. PATENT DOCUMENTS

D. 368,503	4/1996	Bess	D21/208
1,551,207	8/1925	Nial et al.	473/401 X
2,072,688	3/1937	Rose	473/388
2,081,511	5/1937	Smith	D21/208 X

1 Claim, 1 Drawing Sheet



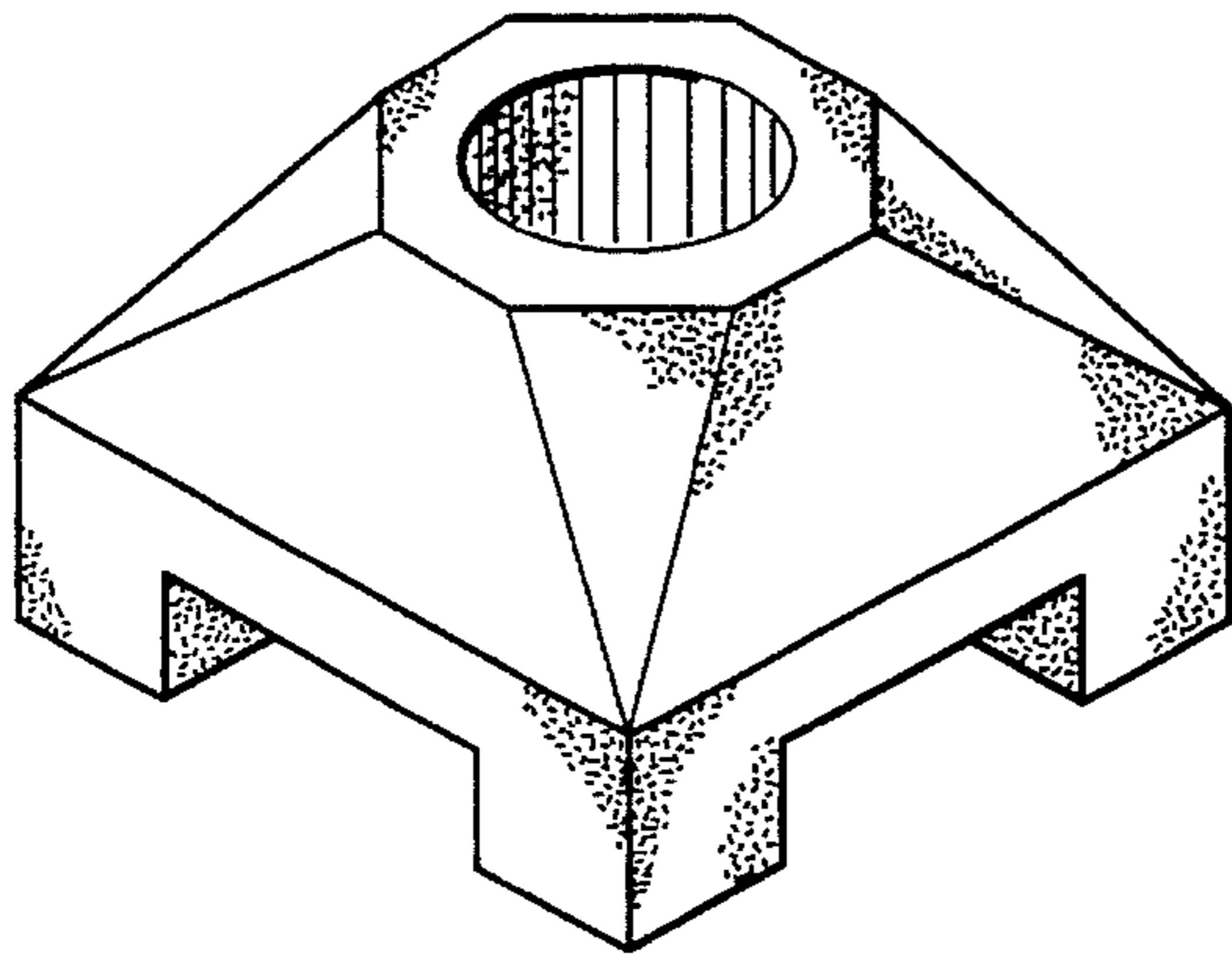


FIG. 1

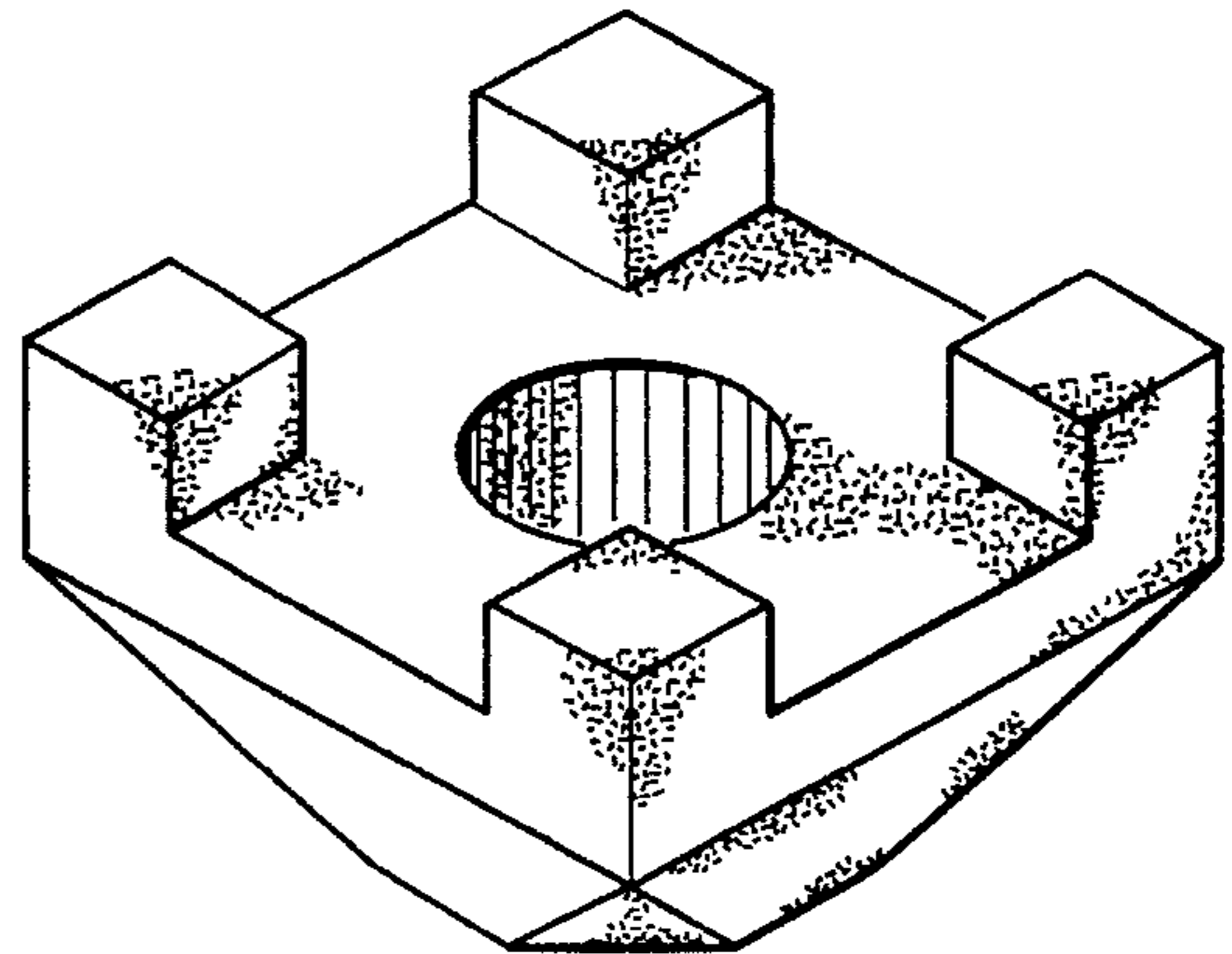


FIG. 2

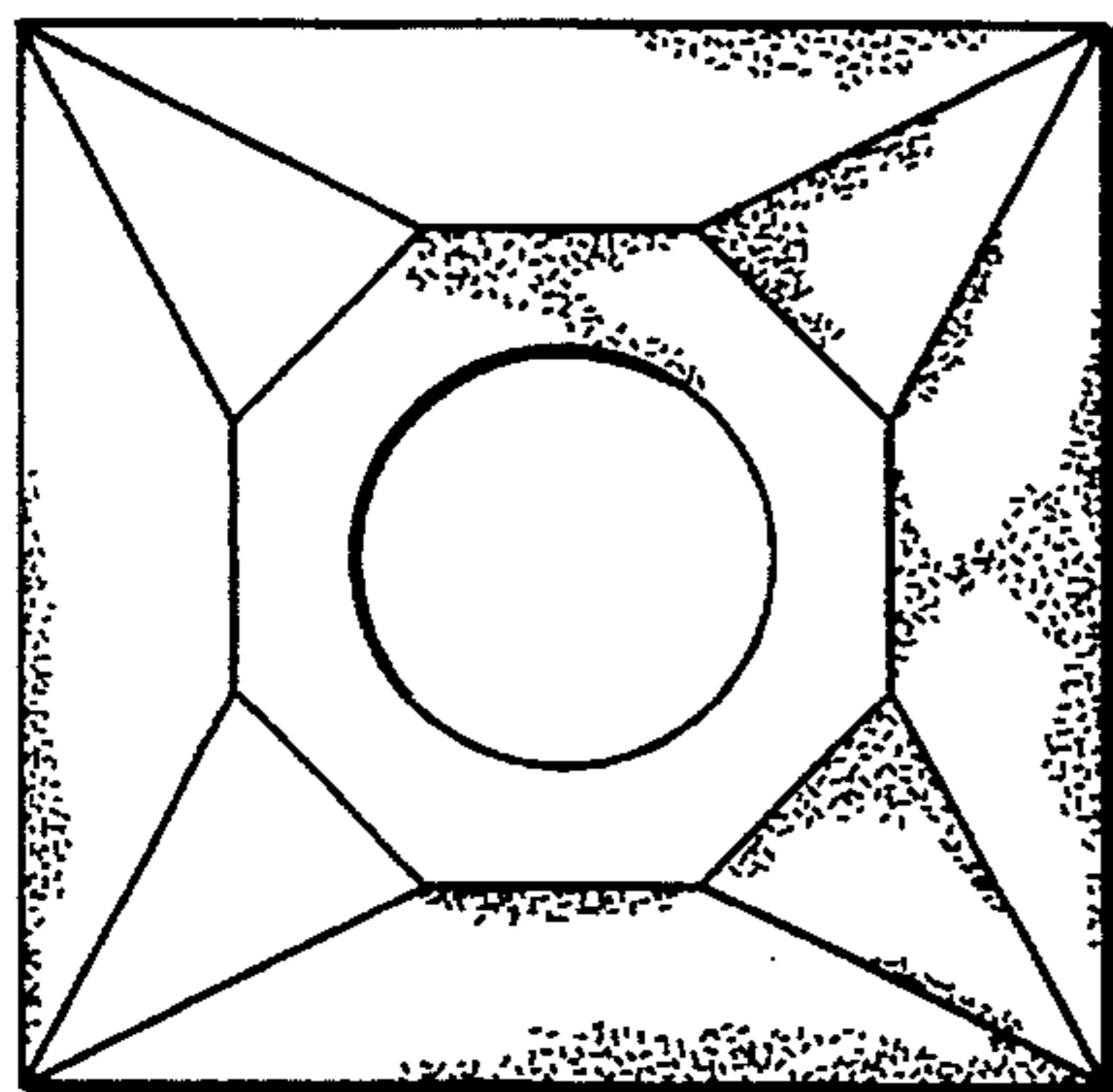


FIG. 3

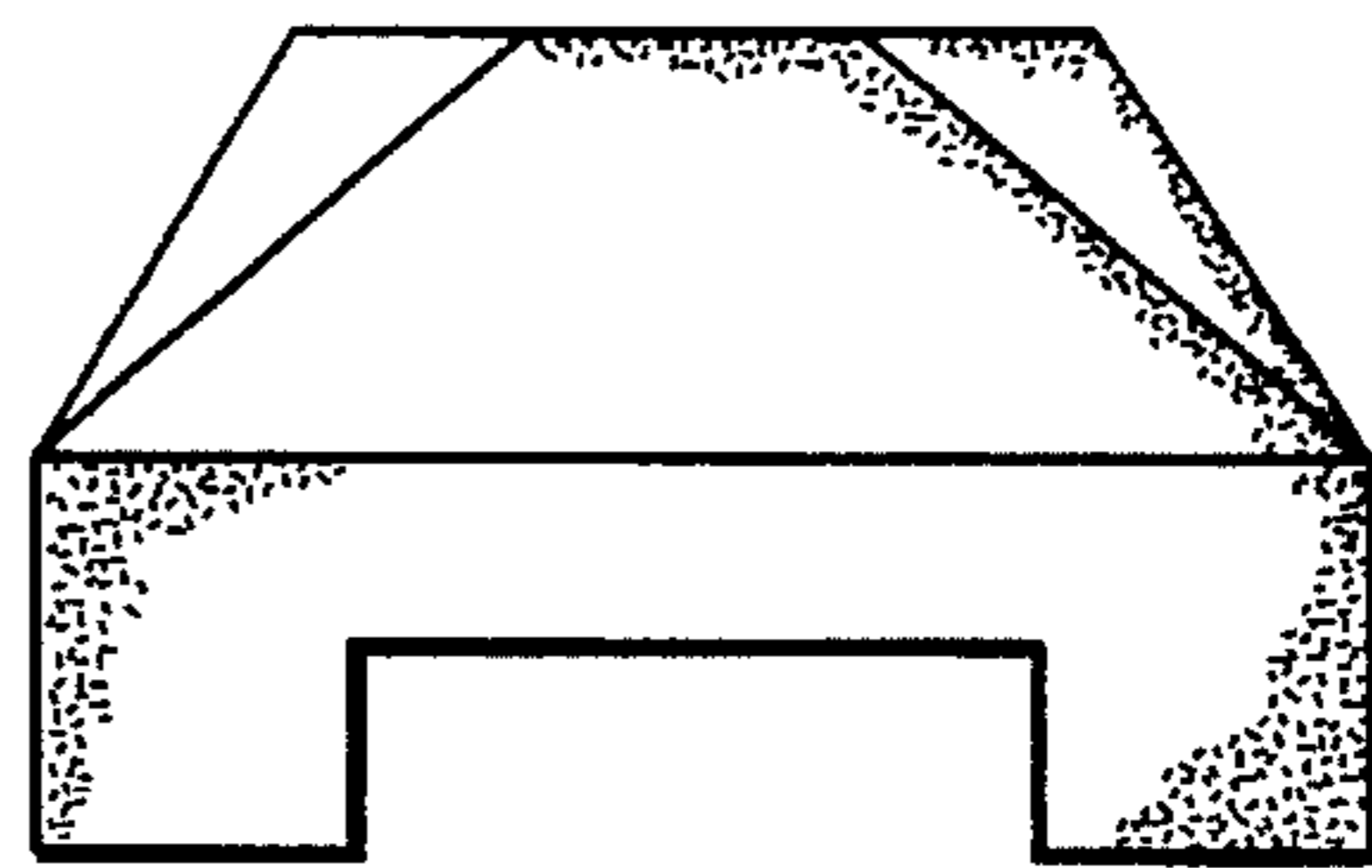


FIG. 4

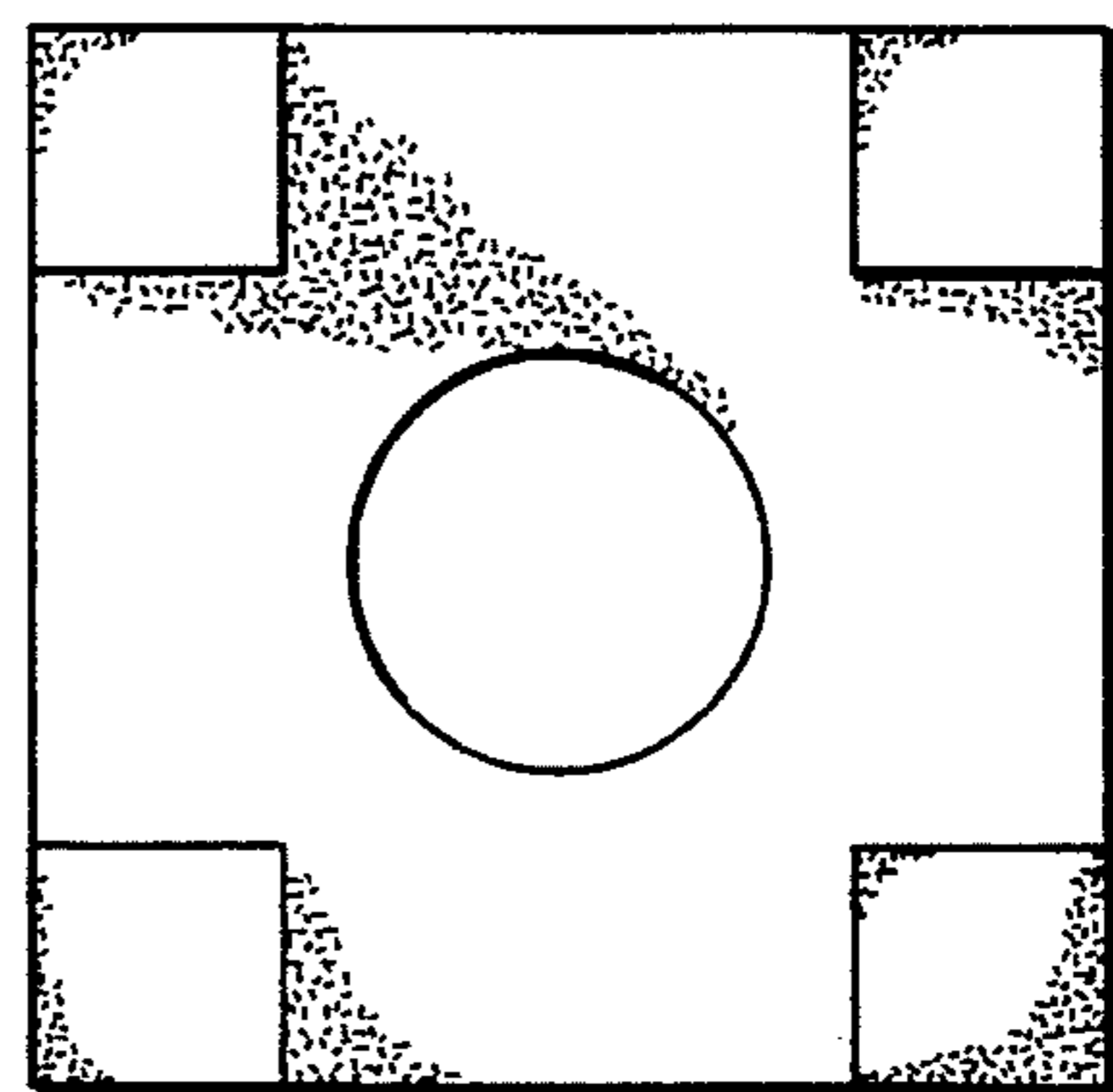


FIG. 5