



US00D376829S

United States Patent [19]

Kuo

[11] **Patent Number: Des. 376,829**

[45] **Date of Patent: **Dec. 24, 1996**

[54] **MECHANISM FOR INVERSE EXERCISE**

[76] Inventor: **Sue Kuo**, 9 Ground Pine Ct., Dix Hills, N.Y. 11746

[**] Term: **14 Years**

[21] Appl. No.: **45,939**

[22] Filed: **Nov. 2, 1995**

[52] U.S. Cl. **D21/191**

[58] Field of Search D21/191, 195;
D24/183; 482/140, 144, 145, 142, 141,
95, 96

[56] **References Cited**

U.S. PATENT DOCUMENTS

4,182,511	1/1980	Camp, Jr.	482/140
4,546,972	10/1985	Goyer	482/144
4,566,693	1/1986	Seidentop et al.	482/144
4,703,929	11/1987	Reed	482/144
5,031,905	7/1991	Walsh	482/140

5,135,459	8/1992	Perry, Jr.	482/144
5,176,603	1/1993	Hundley et al.	482/140
5,203,755	4/1993	Kaiser	482/144

Primary Examiner—Philip S. Hyder
Attorney, Agent, or Firm—Charles E. Baxley, Esq.

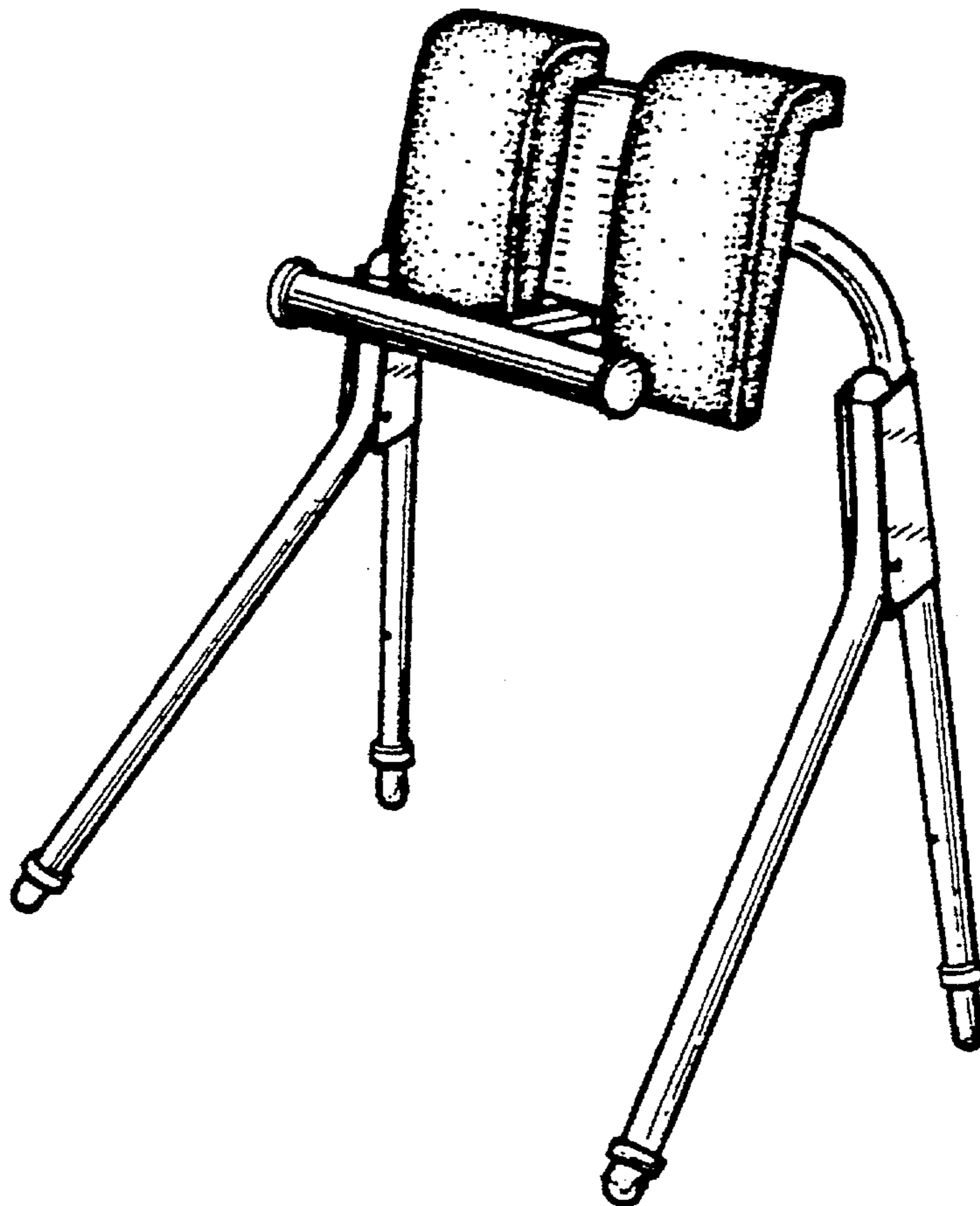
[57] **CLAIM**

The ornamental design for a mechanism for inverse exercise, as shown and described.

DESCRIPTION

FIG. 1 is a perspective view of a mechanism for inverse exercise showing my new design; FIG. 2 is a front elevational view thereof; FIG. 3 is a rear elevational view thereof; FIG. 4 is a left side elevational view thereof; and the right side being a mirror image of that shown; FIG. 5 is a top plan view thereof; and, FIG. 6 is a bottom plan view thereof.

1 Claim, 2 Drawing Sheets



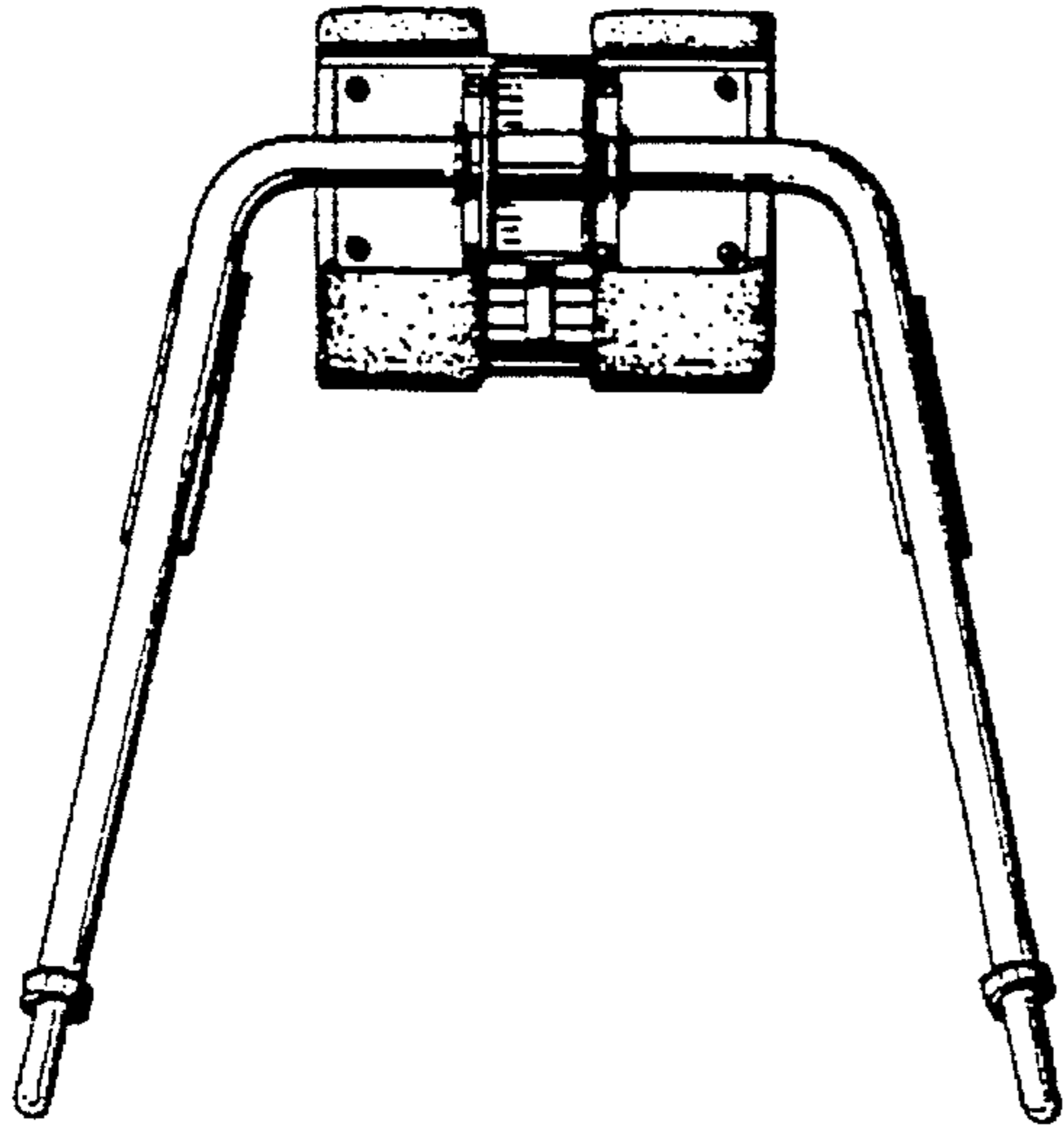


Fig 3

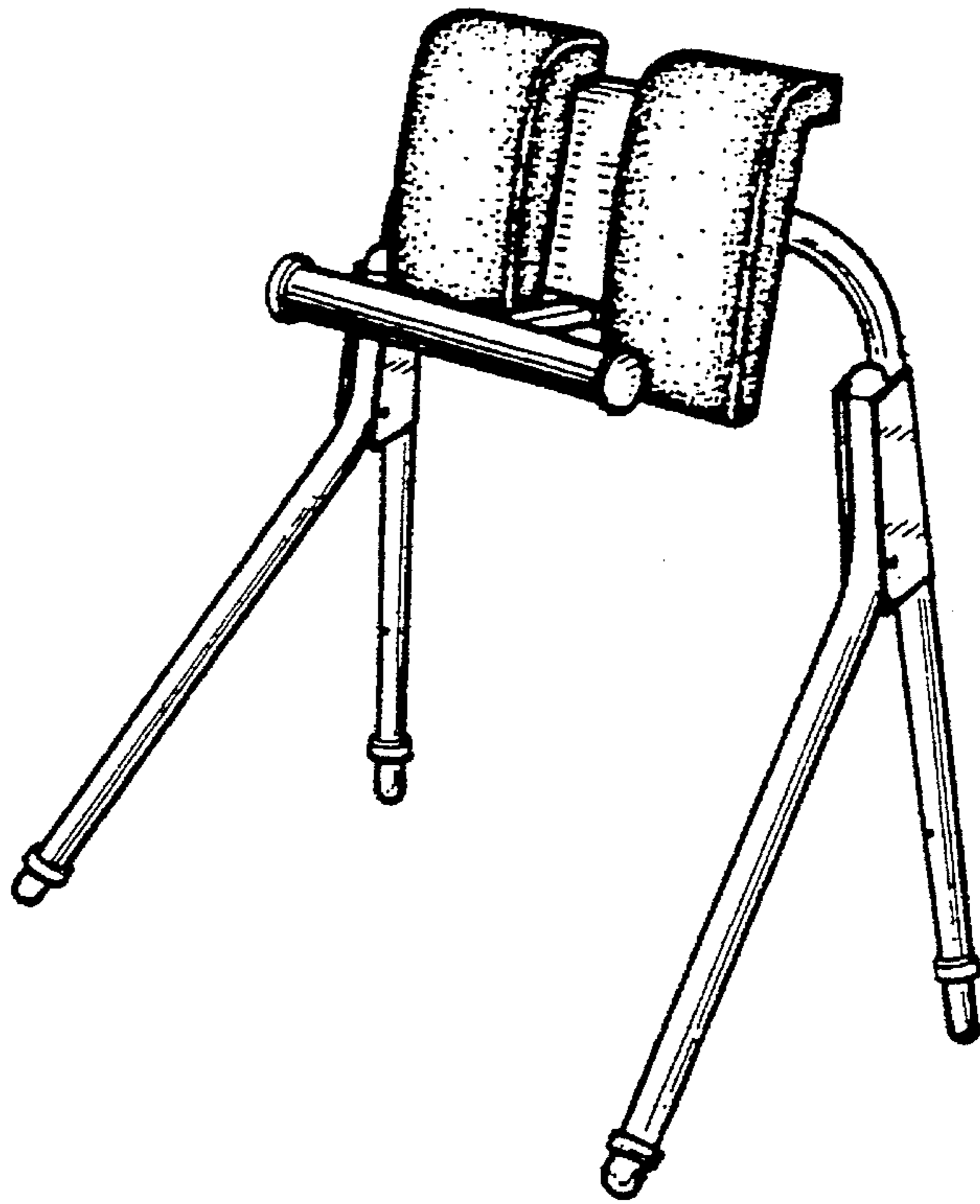


Fig 1

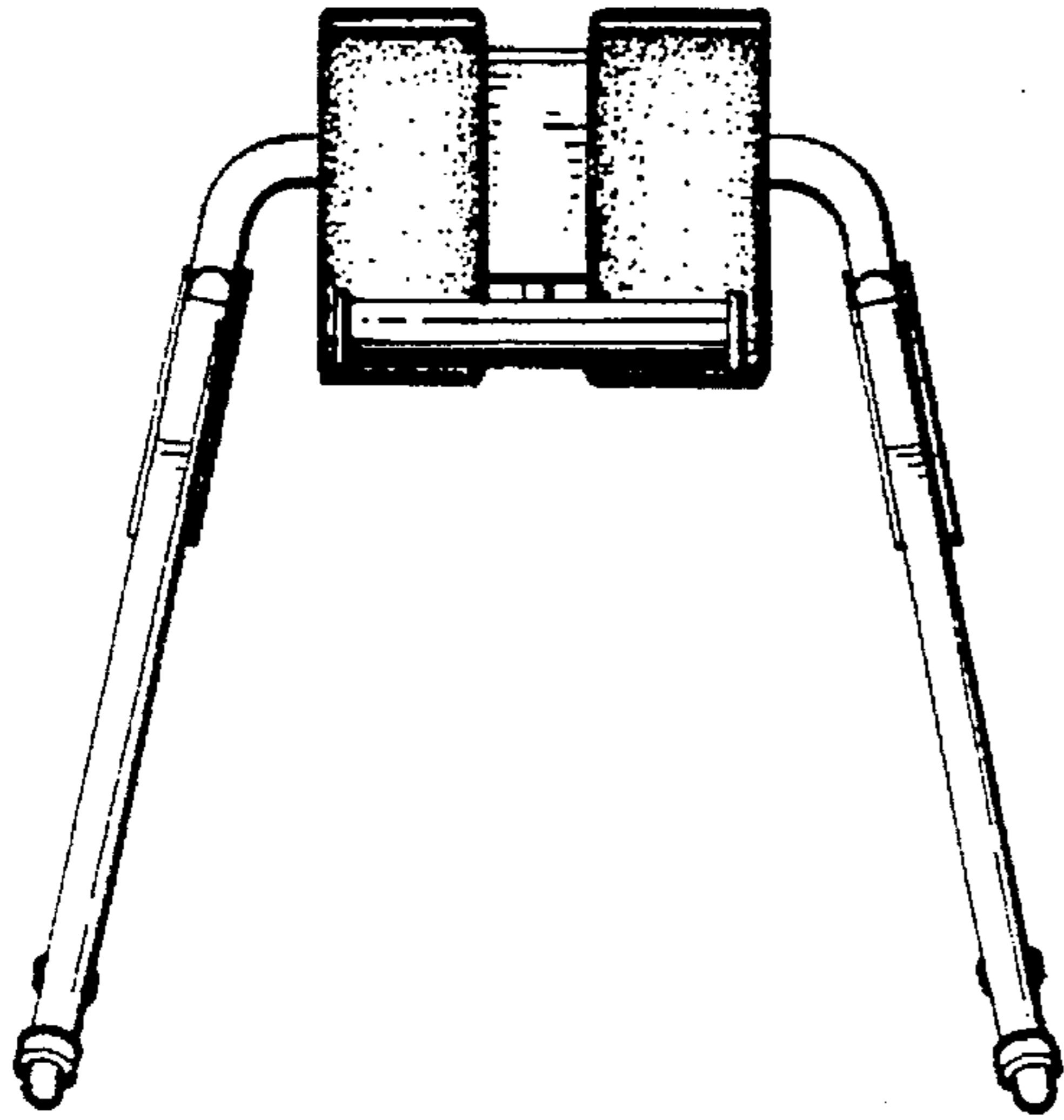


Fig 2

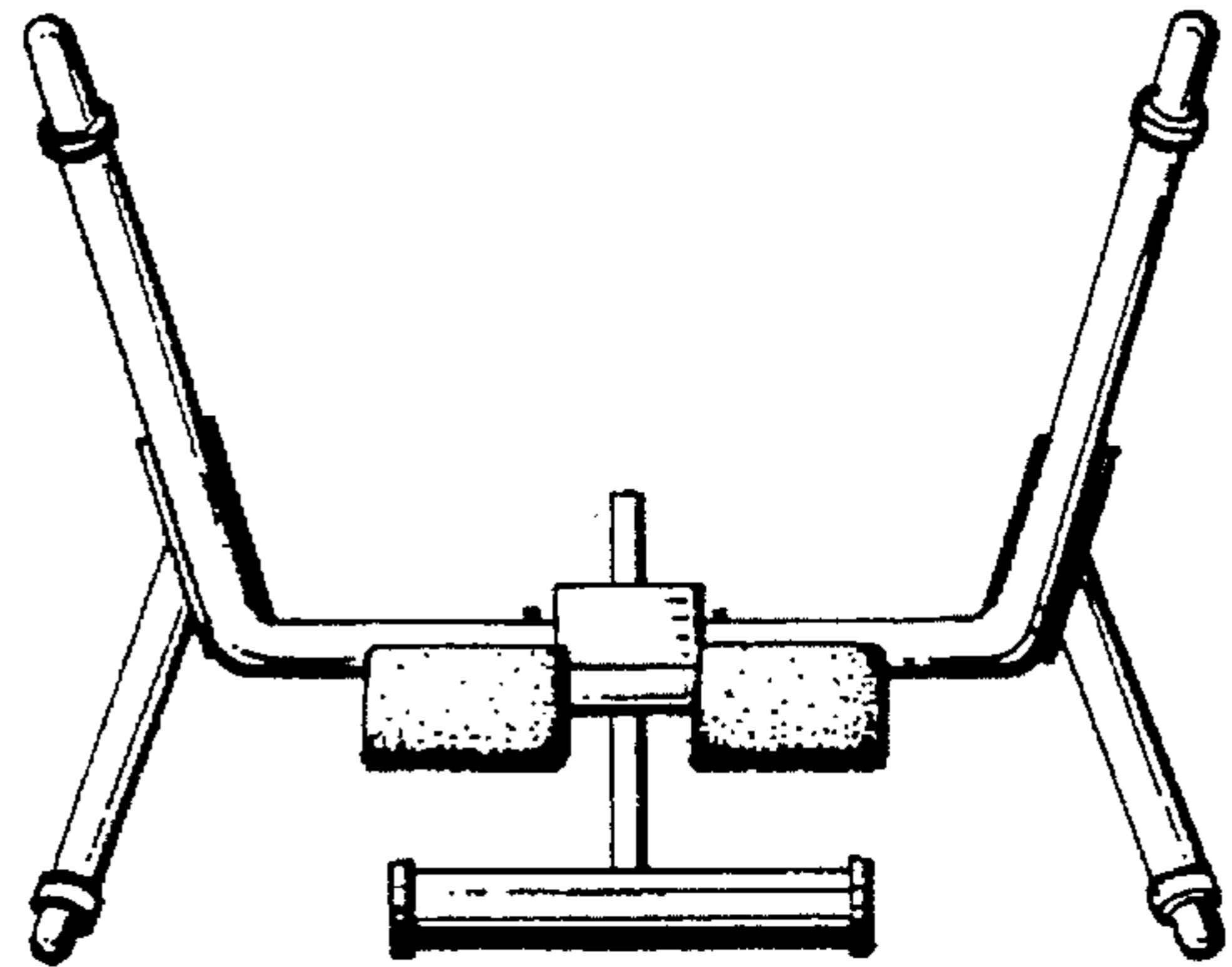


Fig 5

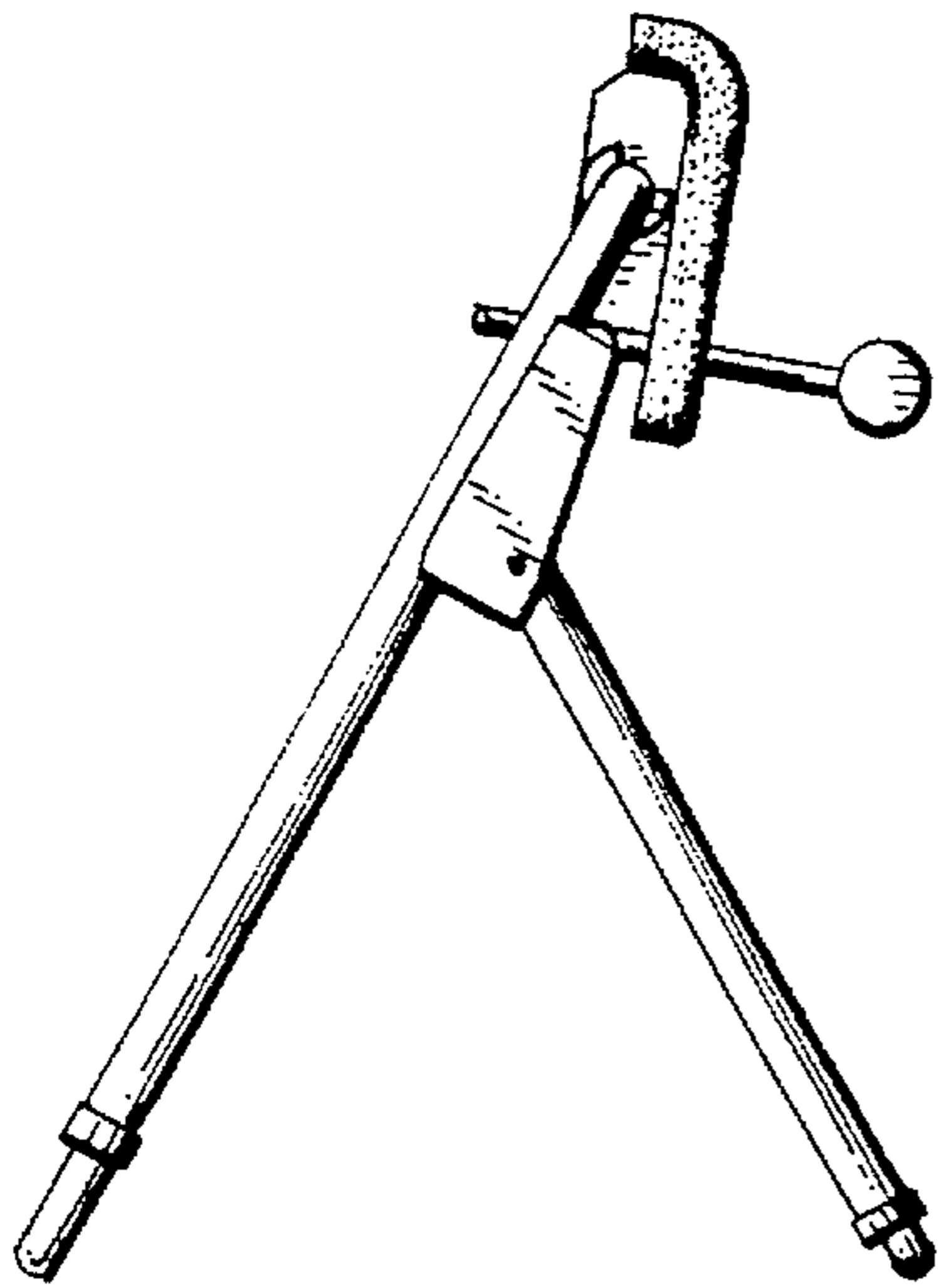


Fig 4

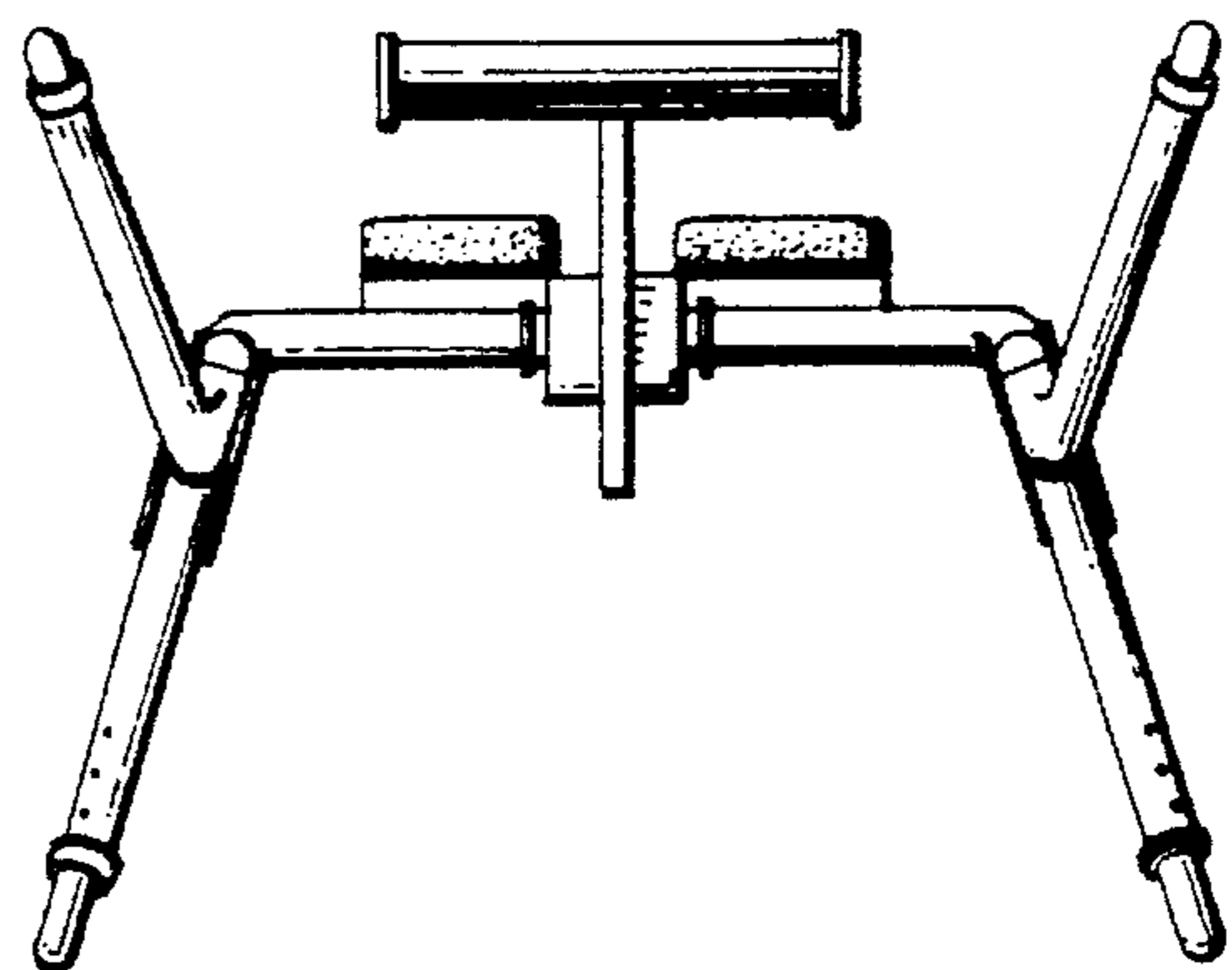


Fig 6