



US00D376827S

United States Patent [19]

[11] Patent Number: **Des. 376,827**

Skov

[45] Date of Patent: ****Dec. 24, 1996**

[54] **TOY BUILDING ELEMENT**

[75] Inventor: **Ib T. Skov**, Billund, Denmark

[73] Assignee: **INTERLEGO AG**, Baar, Switzerland

[**] Term: **14 Years**

[21] Appl. No.: **43,996**

[22] Filed: **Sep. 14, 1995**

[52] U.S. Cl. **D21/108**

[58] Field of Search D21/108, 109;
446/75, 76, 110, 115, 116, 120, 124, 125,
128, 479, 487

[56] **References Cited**

U.S. PATENT DOCUMENTS

D. 296,345	6/1988	Kushner	D21/108
D. 296,452	6/1988	Takahashi	D21/108
D. 303,819	10/1989	Frederiksen	D21/108
D. 316,282	4/1991	Winston	D21/108
1,092,591	4/1914	Pajeau	D21/108

Primary Examiner—Ted Shooman

Assistant Examiner—R. Barkai

Attorney, Agent, or Firm—Kane, Dalsimer, Sullivan, Kurucz, Levy, Eisele and Richard, LLP

[57] **CLAIM**

The ornamental design for a toy building element, as shown and described.

DESCRIPTION

FIG. 1 is a top perspective view of the toy building element showing my new design;

FIG. 2 is a bottom perspective view thereof;

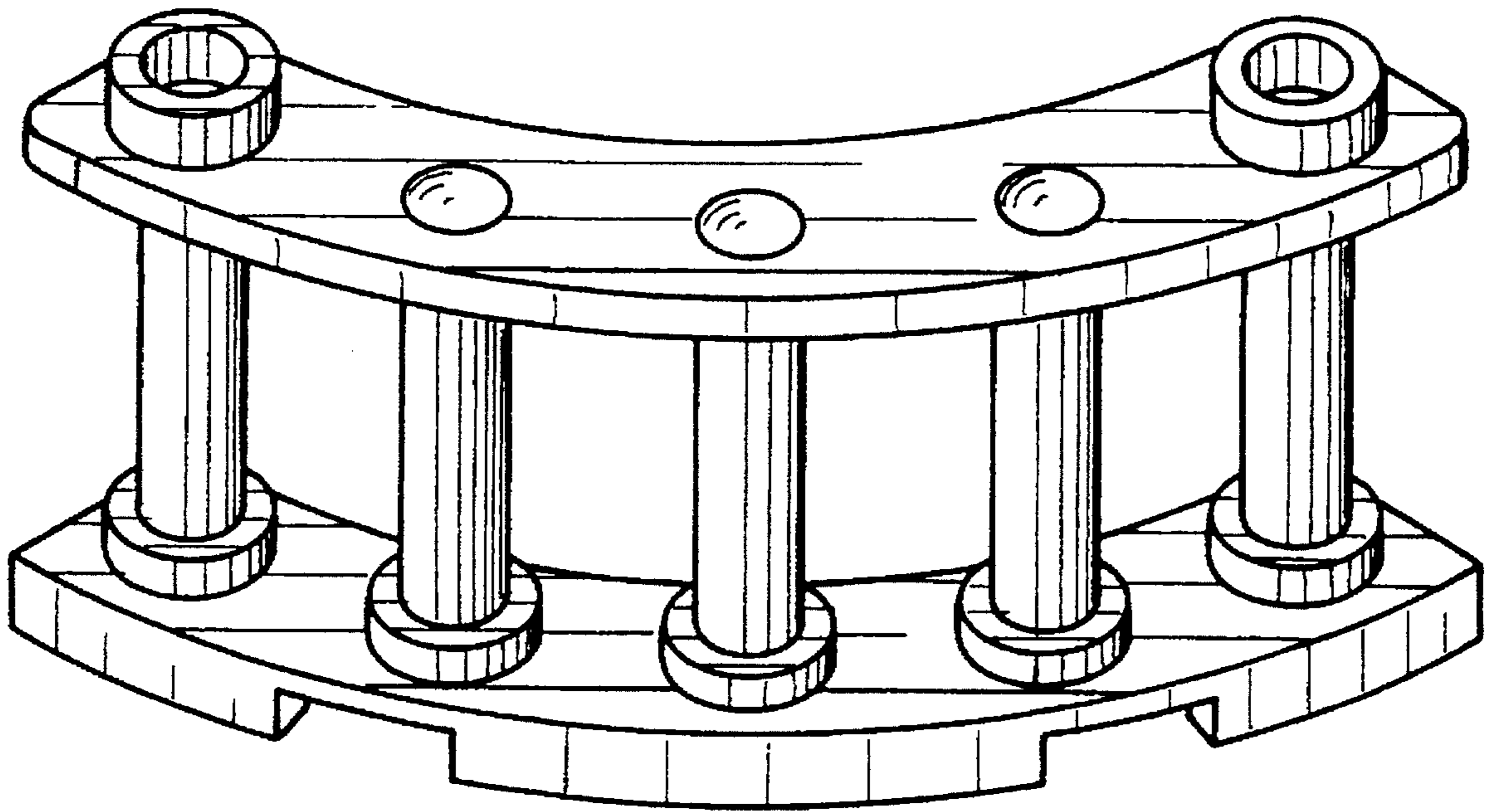
FIG. 3 is a left side elevational view thereof, the front view being a mirror image thereof;

FIG. 4 is a rear side elevational view thereof, the right side being a mirror image thereof;

FIG. 5 is a bottom plan view thereof; and,

FIG. 6 is a top plan view thereof.

1 Claim, 2 Drawing Sheets



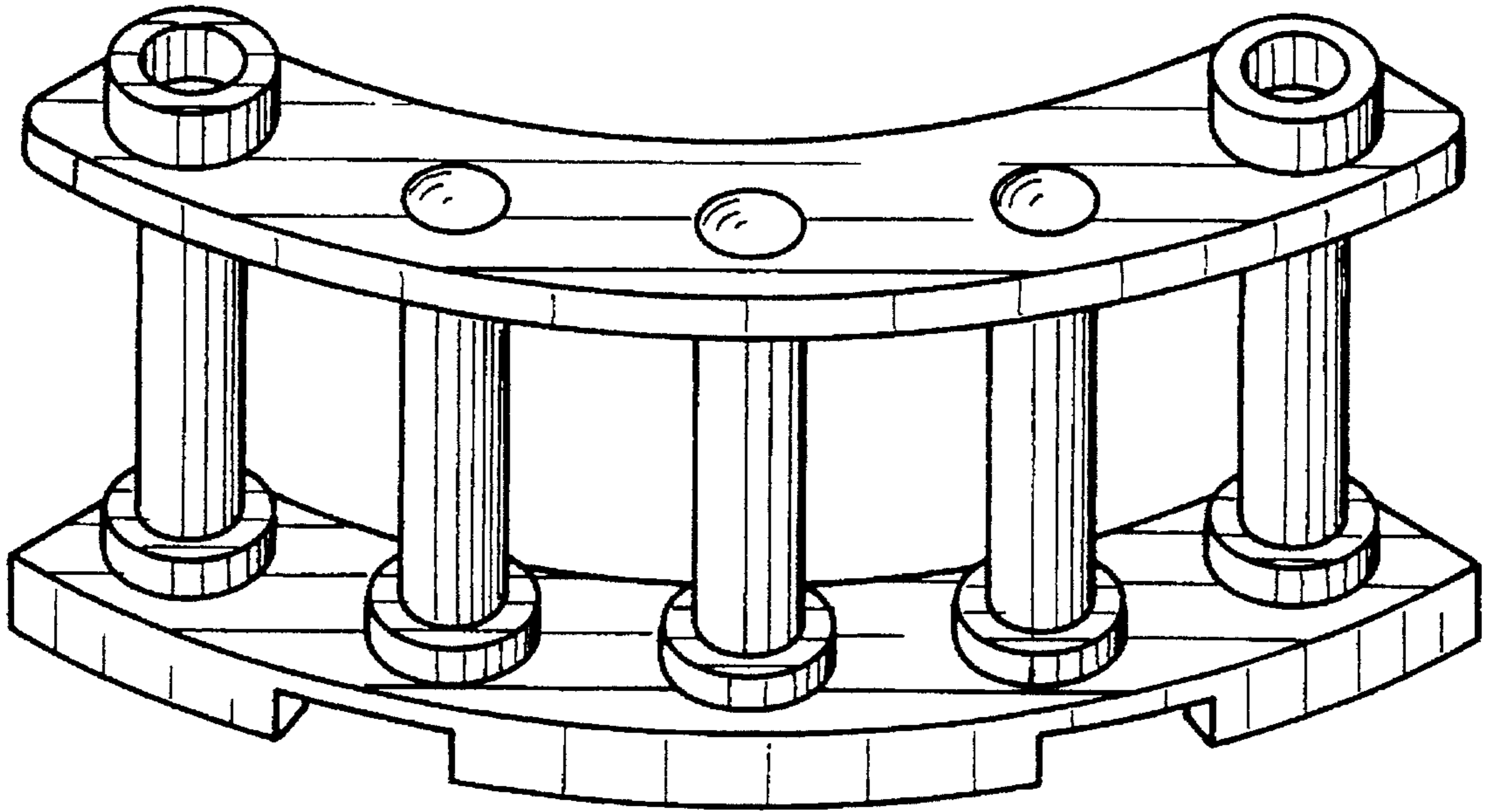


FIG. 1

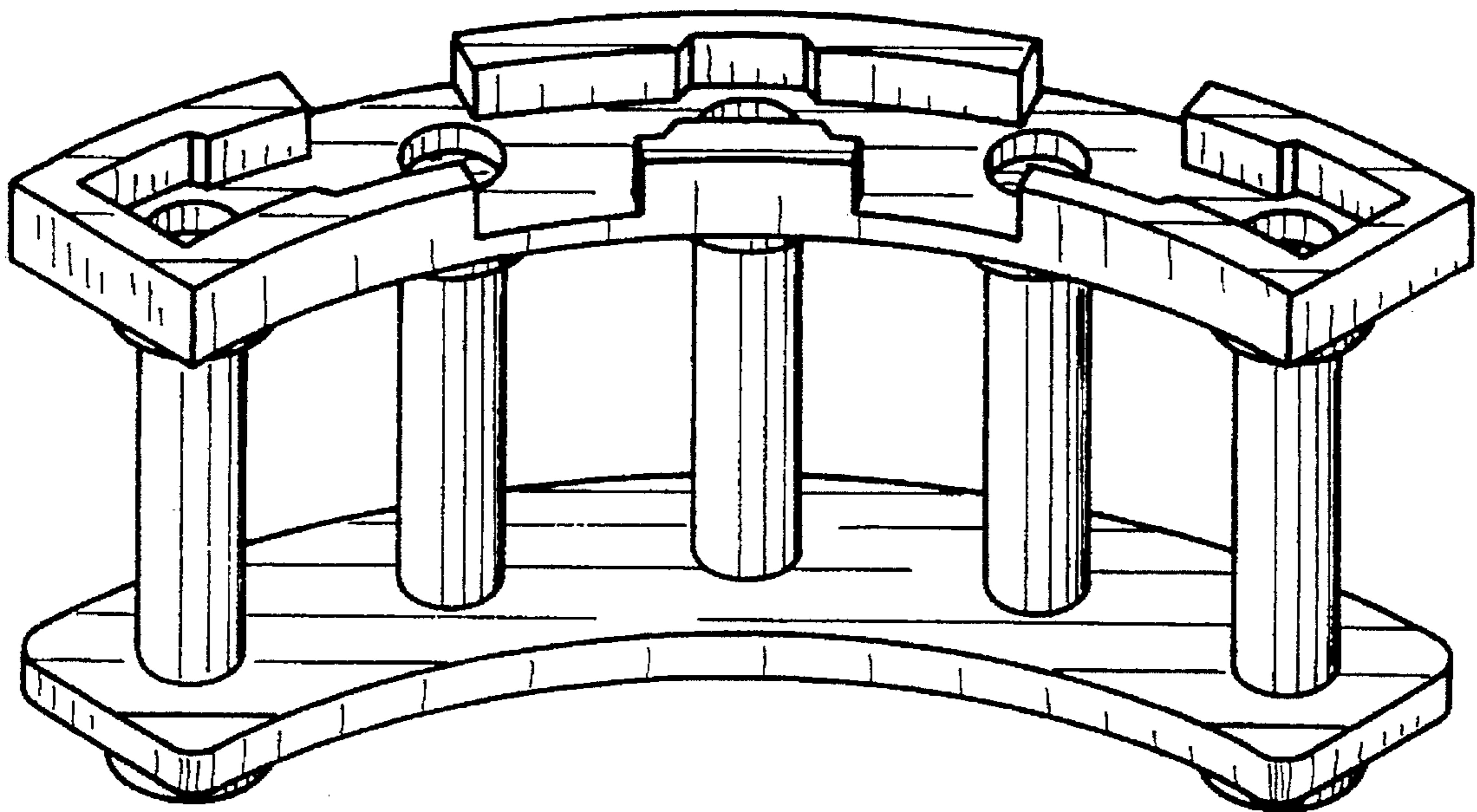


FIG. 2

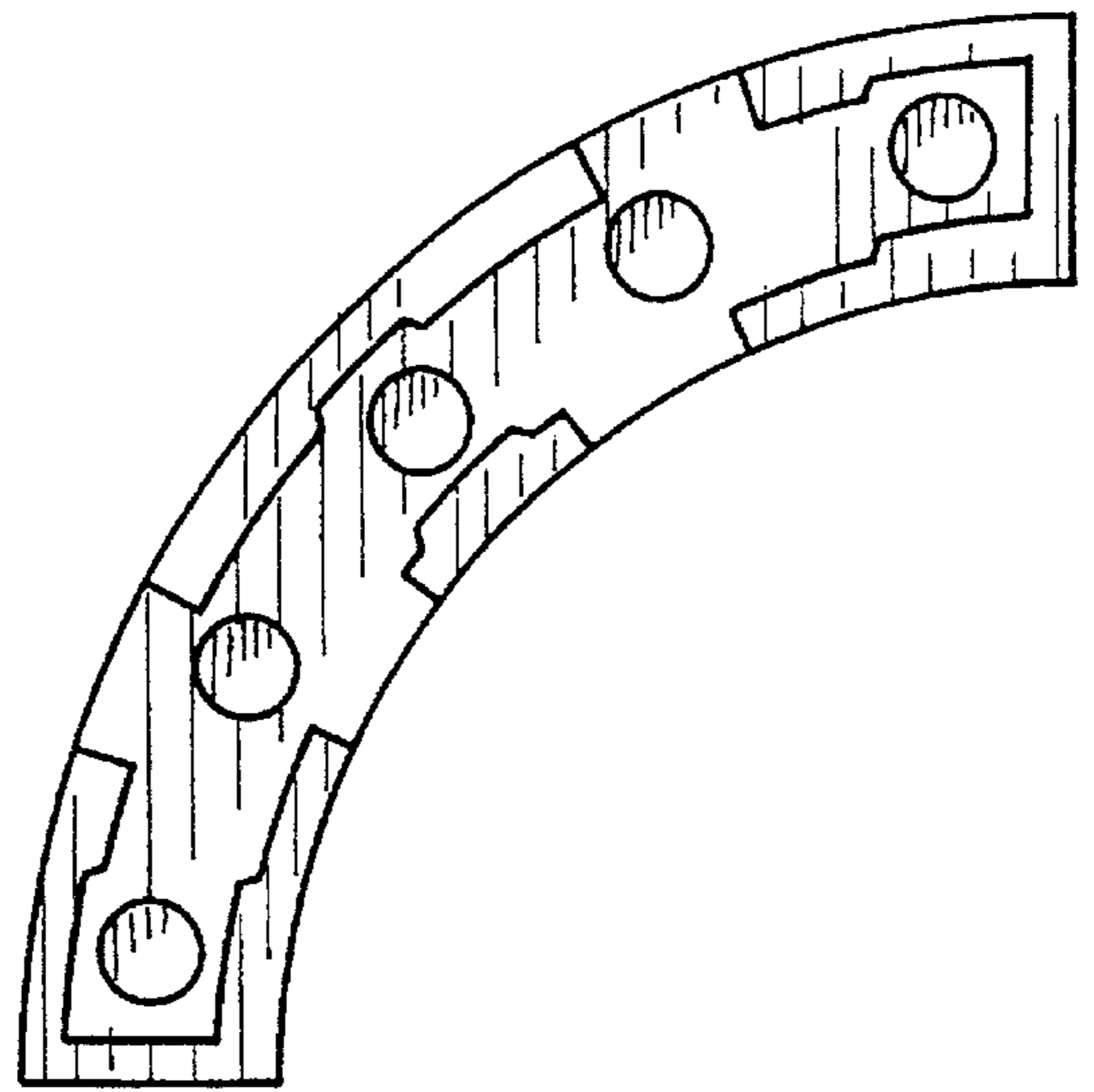


FIG. 5

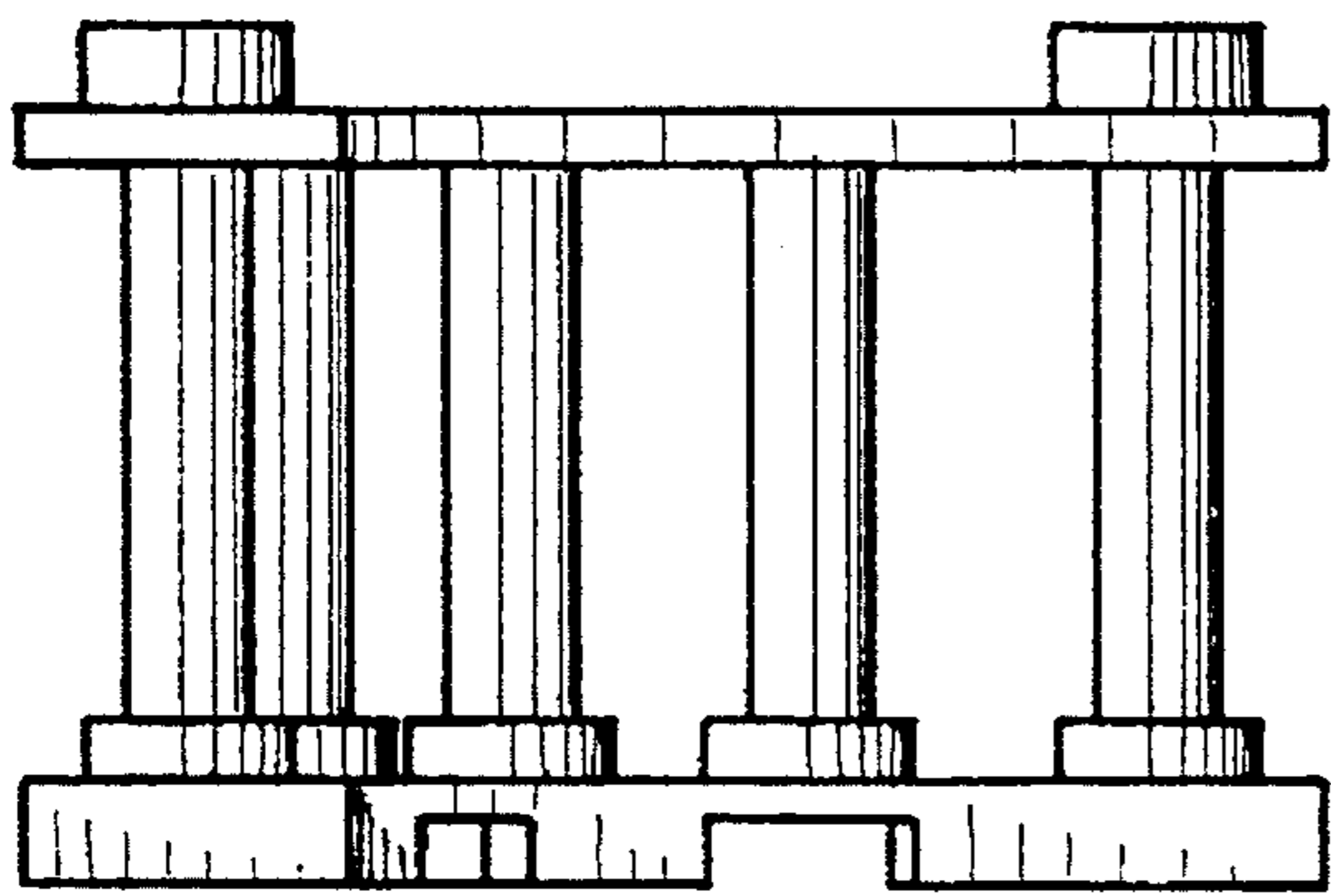


FIG. 4

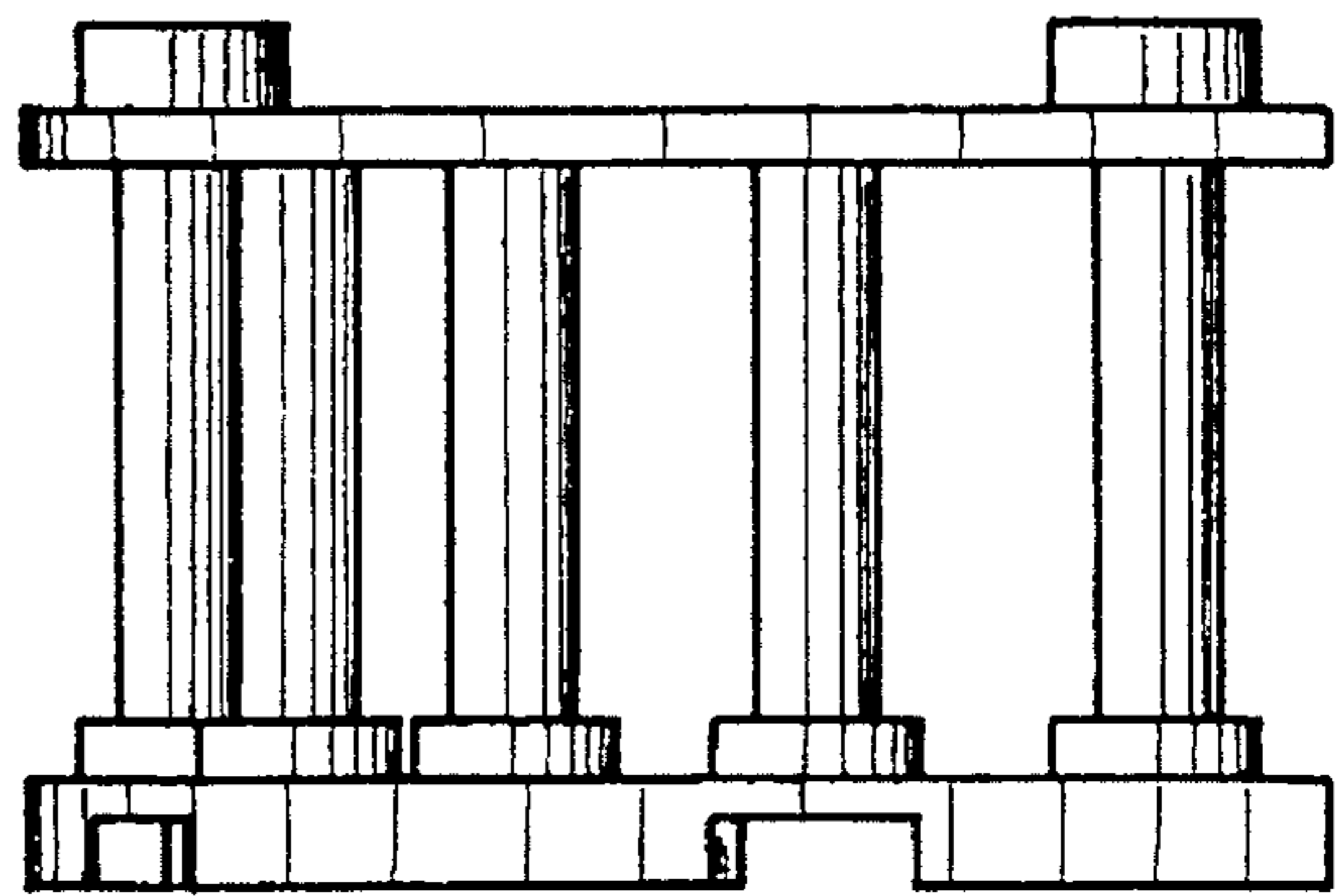


FIG. 3

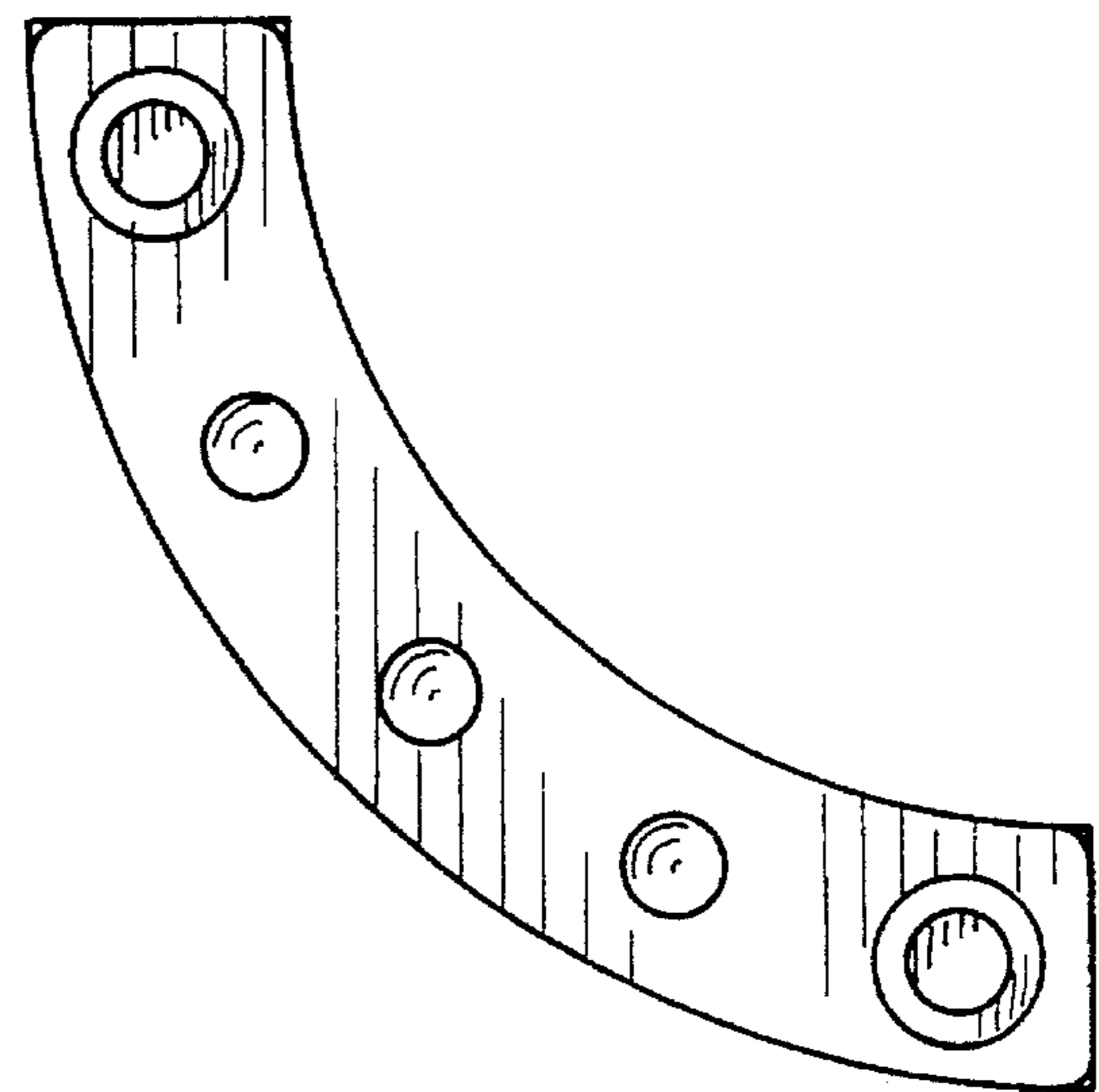


FIG. 6