



US00D376823S

# United States Patent [19]

[11] Patent Number: **Des. 376,823**

**Ikenaga**

[45] Date of Patent: **\*\*Dec. 24, 1996**

[54] **MAGNET OPTICAL DISC PLAYER  
COMBINED WITH DISPLAY MONITOR**

[75] Inventor: **Takashi Ikenaga**, Tokyo, Japan

[73] Assignee: **Sony Corporation**, Tokyo, Japan

[\*\*] Term: **14 Years**

[21] Appl. No.: **47,165**

[22] Filed: **Nov. 28, 1995**

[30] **Foreign Application Priority Data**

Jun. 7, 1995 [JP] Japan ..... 7-16015

[52] U.S. Cl. .... **D21/13**

[58] Field of Search ..... D21/1, 13, 48;  
D14/114, 125, 126, 129, 136, 156, 217,  
299; 273/148 B, 433-438, DIG. 28; 358/342,  
343; 369/77.1, 77.2, 75.2

[56] **References Cited**

**U.S. PATENT DOCUMENTS**

D. 270,633	9/1983	Shindo et al.	.....	D14/136
D. 337,327	7/1993	Suzuki	.....	D14/136
D. 338,003	8/1993	Nakayama	.....	D14/129 X
D. 338,463	8/1993	Hisatsune	.....	D14/136 X
D. 346,408	4/1994	Lee	.....	D21/13
D. 355,644	2/1995	Risko	.....	D21/13 X
5,150,899	9/1992	Kitaue	.....	273/433 X
5,184,830	2/1993	Okada et al.	.....	273/433
5,213,327	5/1993	Kitaue	.....	273/438 X

**OTHER PUBLICATIONS**

Hong Kong Enterprise, Oct., 1994, p. 109.

*Primary Examiner*—Prabhakar G. Deshmukh

*Attorney, Agent, or Firm*—Foley & Lardner

[57] **CLAIM**

The ornamental design for a magnet optical disc player combined with a display monitor, as shown and described.

**DESCRIPTION**

FIG. 1 is a perspective view of a first embodiment of the magnet optical disc player combined with a display monitor showing my new design;

FIG. 2 is a perspective view thereof wherein the display monitor is in the standing position;

FIG. 3 is a top plan view thereof;

FIG. 4 is a left side elevational view thereof;

FIG. 5 is a front elevational view thereof;

FIG. 6 is a bottom plan view thereof;

FIG. 7 is a right side elevational view thereof;

FIG. 8 is a rear elevational view thereof;

FIG. 9 is a perspective view of a second embodiment of the magnet optical disc player combined with a display monitor showing my new design;

FIG. 10 is a perspective view of the embodiment of FIG. 9 wherein the display monitor is in the standing position;

FIG. 11 is a top plan view of the embodiment of FIG. 9;

FIG. 12 is a left side elevational view of the embodiment of FIG. 9;

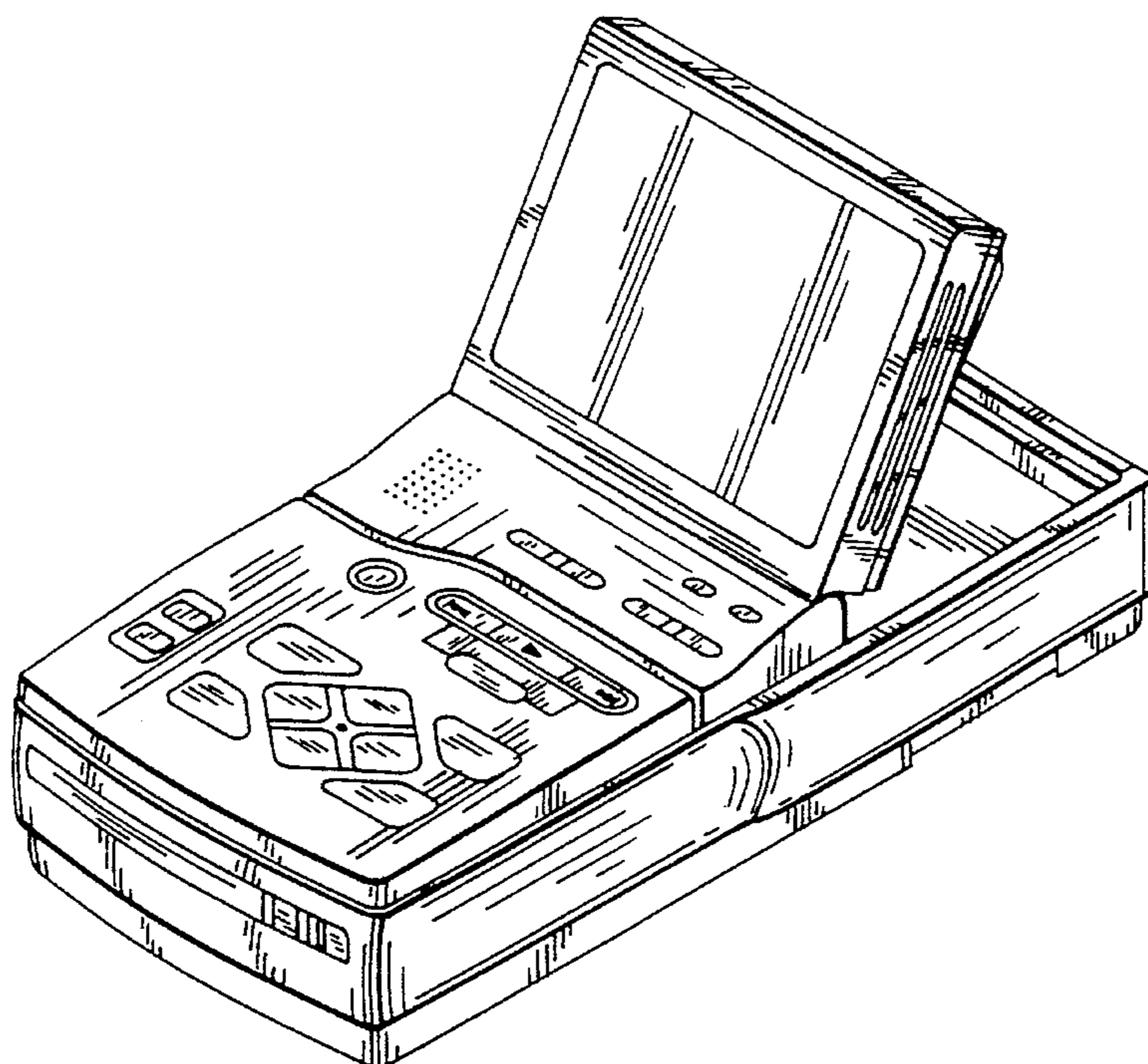
FIG. 13 is a front elevational view of the embodiment of FIG. 9;

FIG. 14 is a bottom plan view of the embodiment of FIG. 9;

FIG. 15 is a right side elevational view of the embodiment of FIG. 9; and,

FIG. 16 is a rear elevational view of the embodiment of FIG. 9.

**1 Claim, 4 Drawing Sheets**



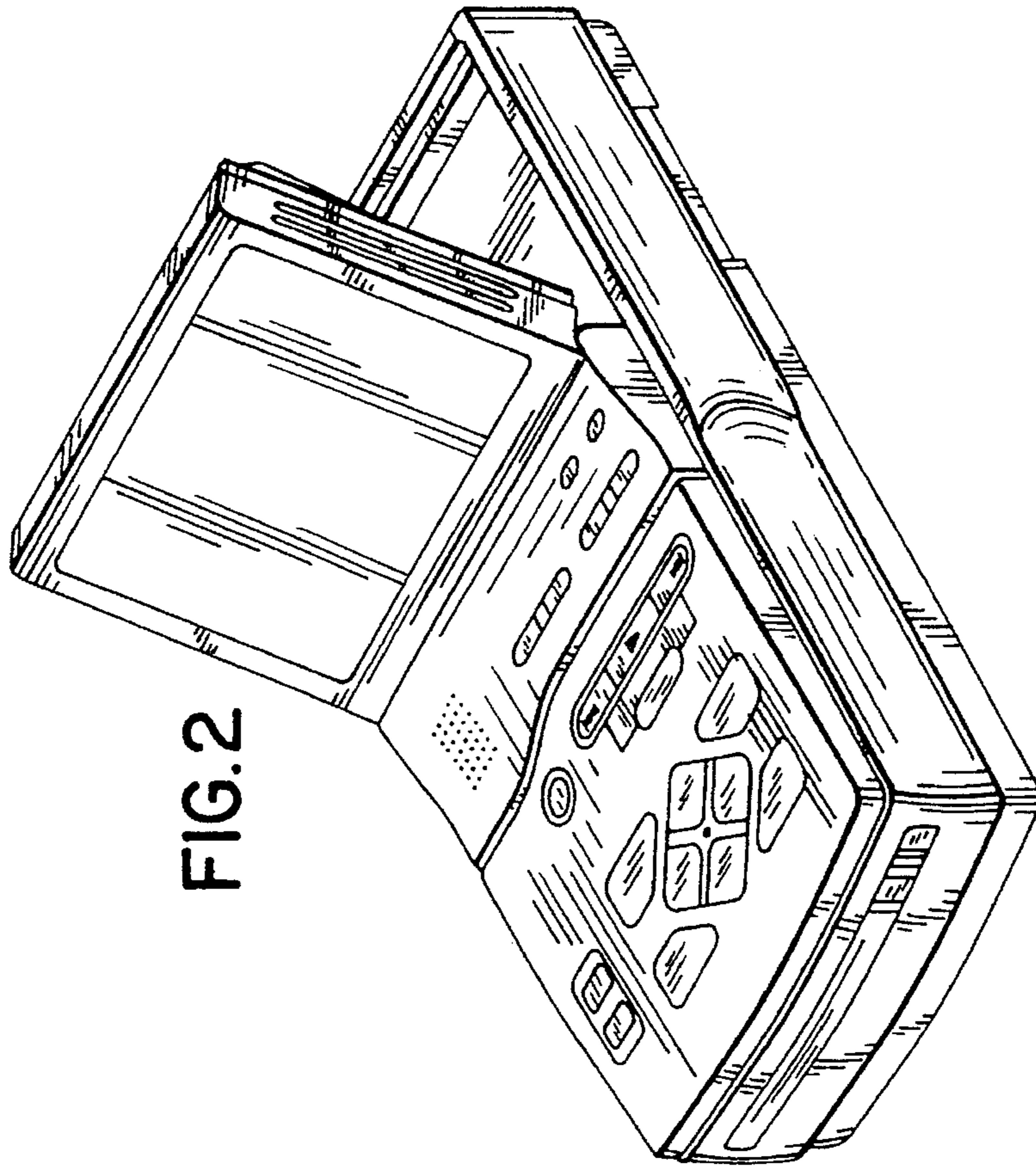


FIG. 2

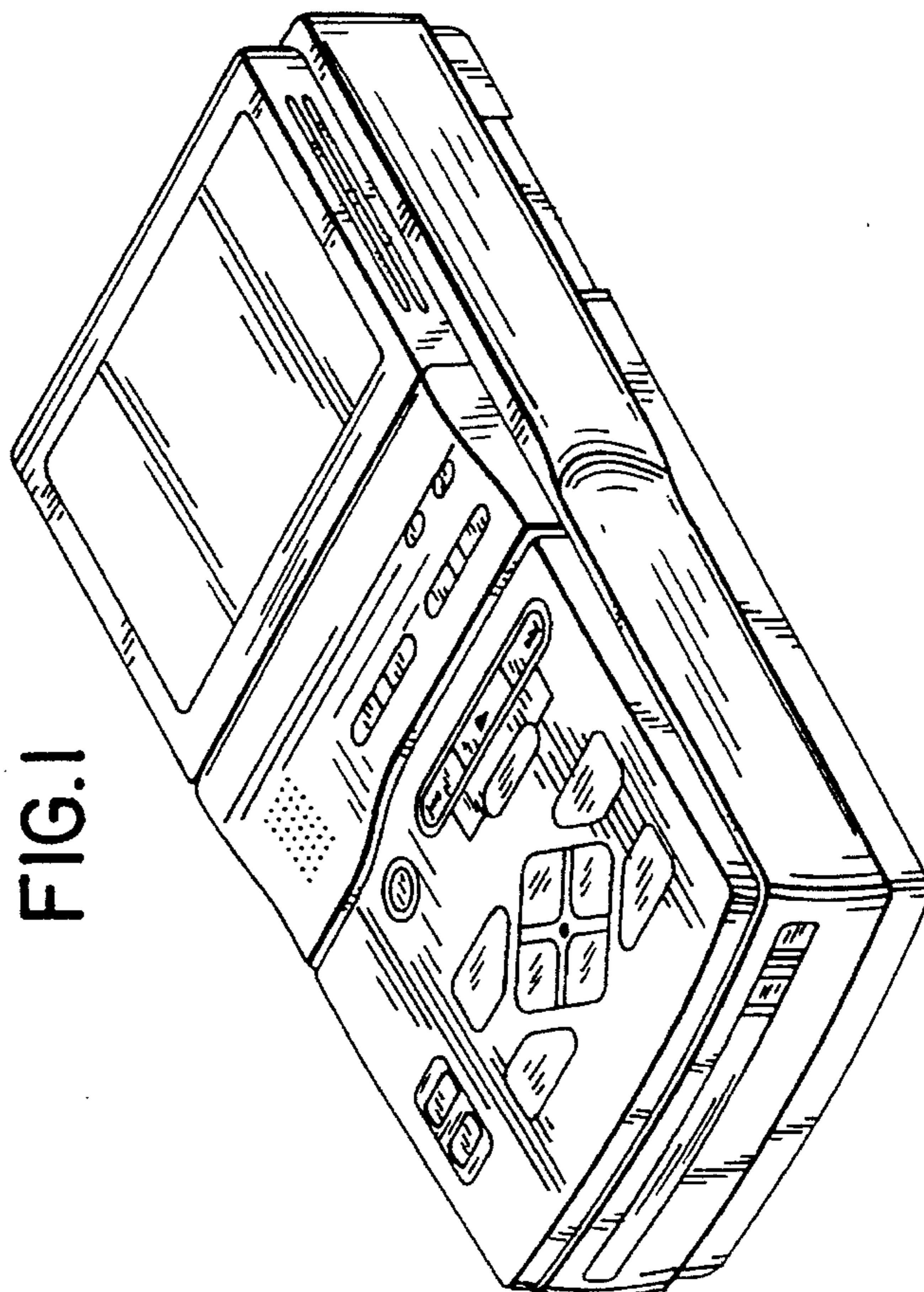


FIG. 1

FIG. 3

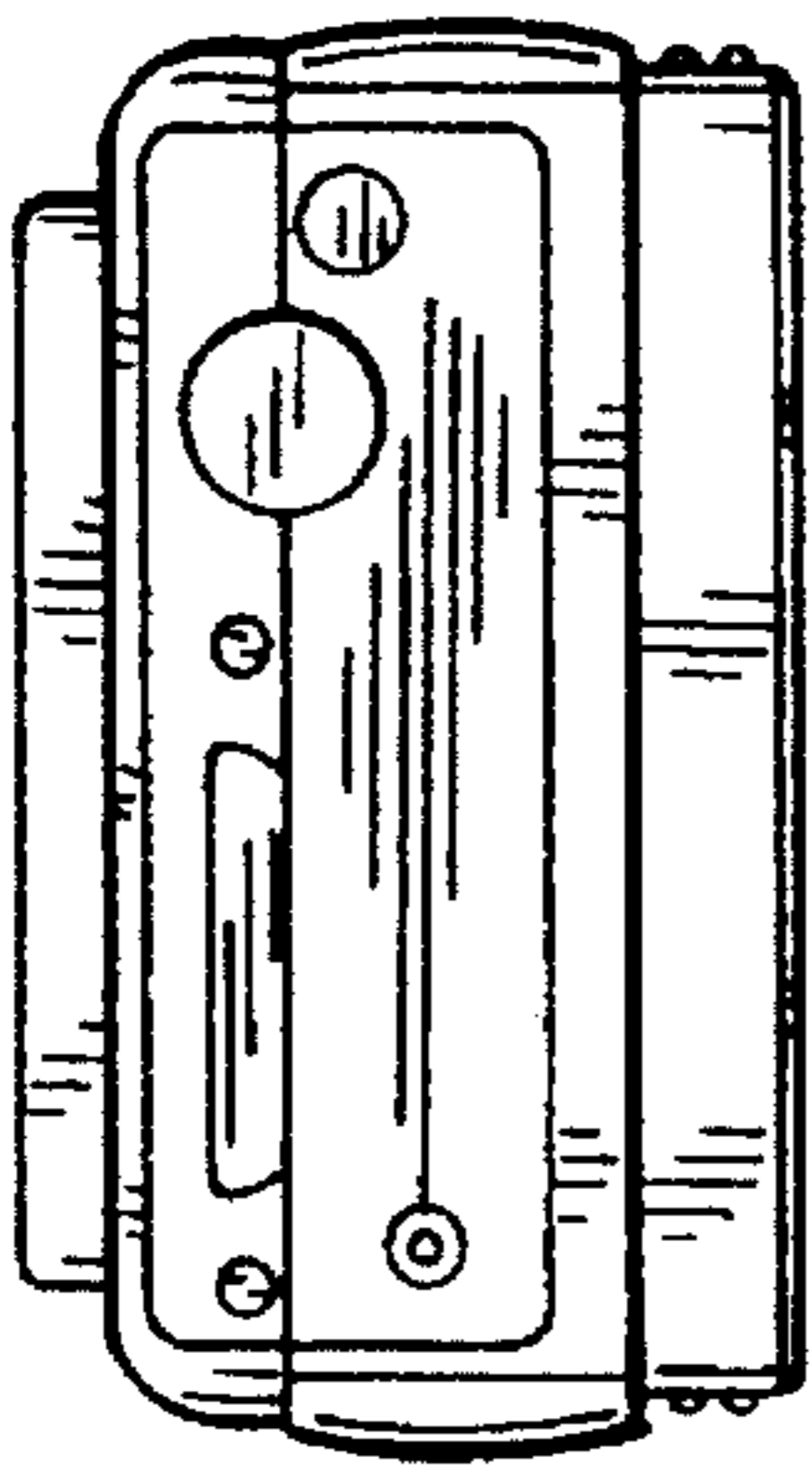


FIG. 6

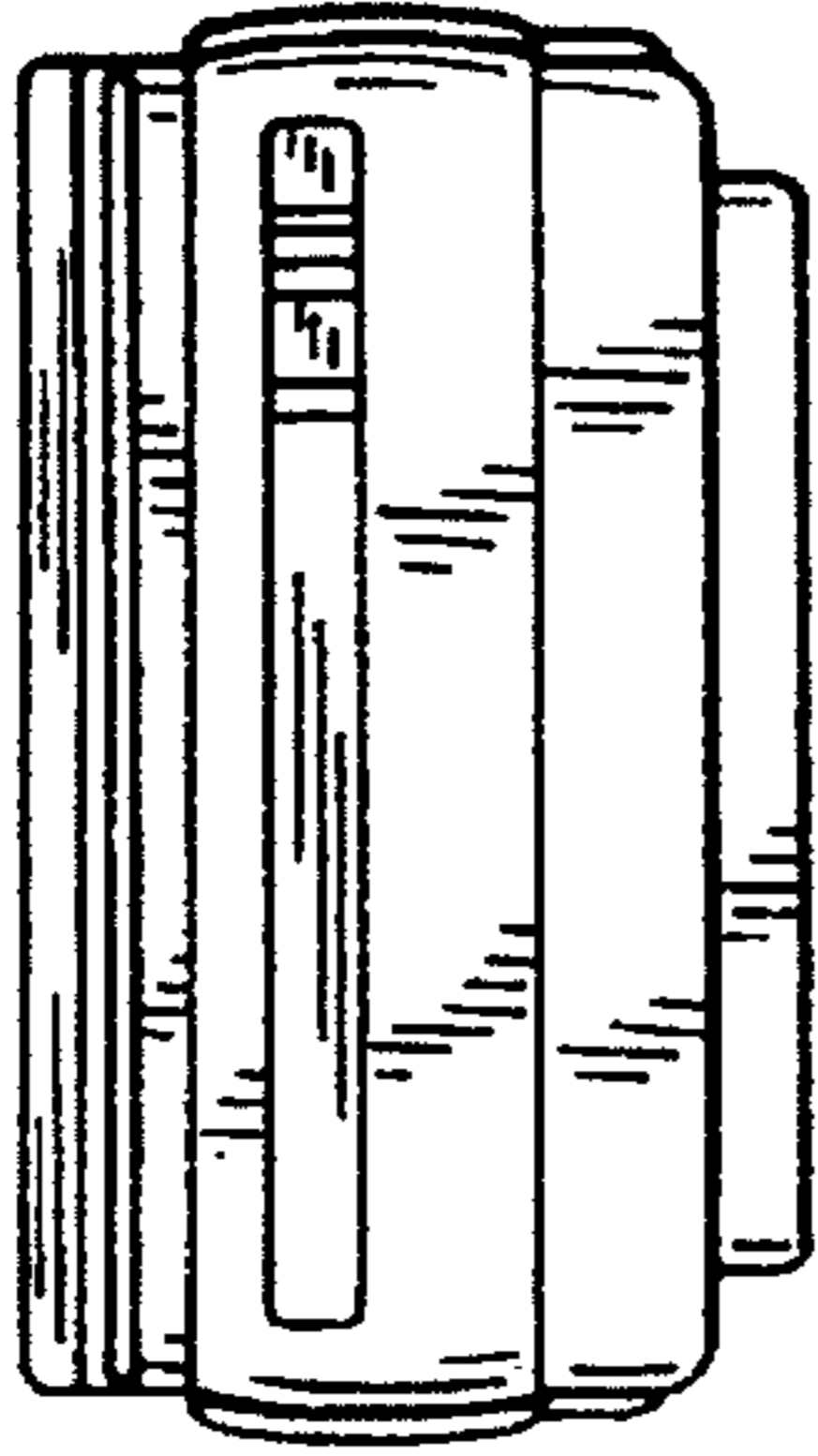


FIG. 4

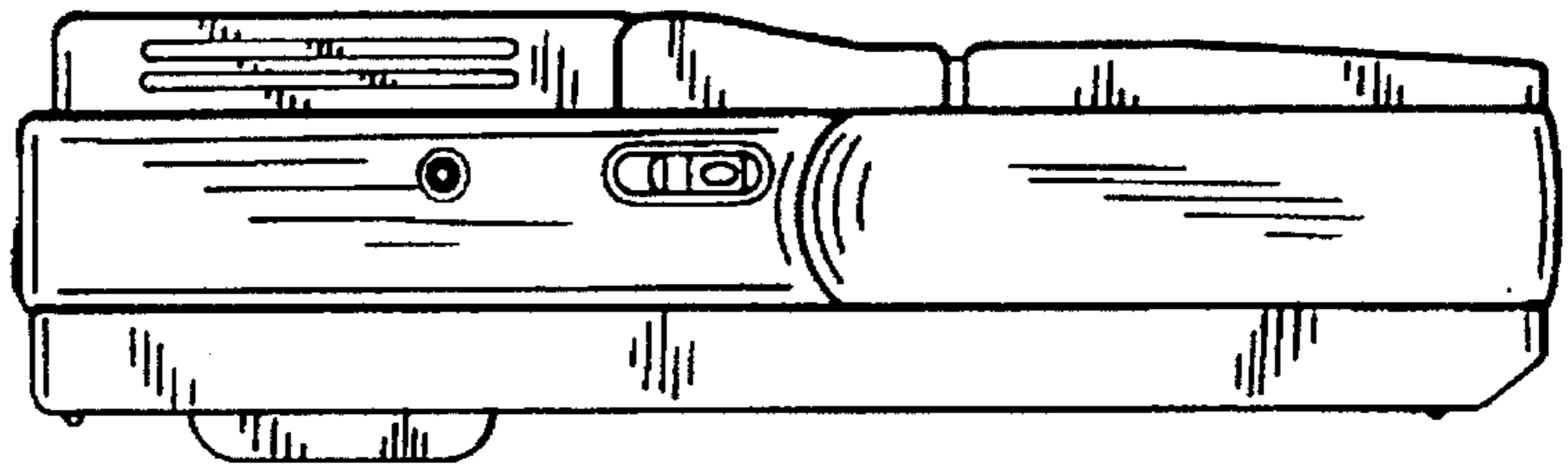


FIG. 5

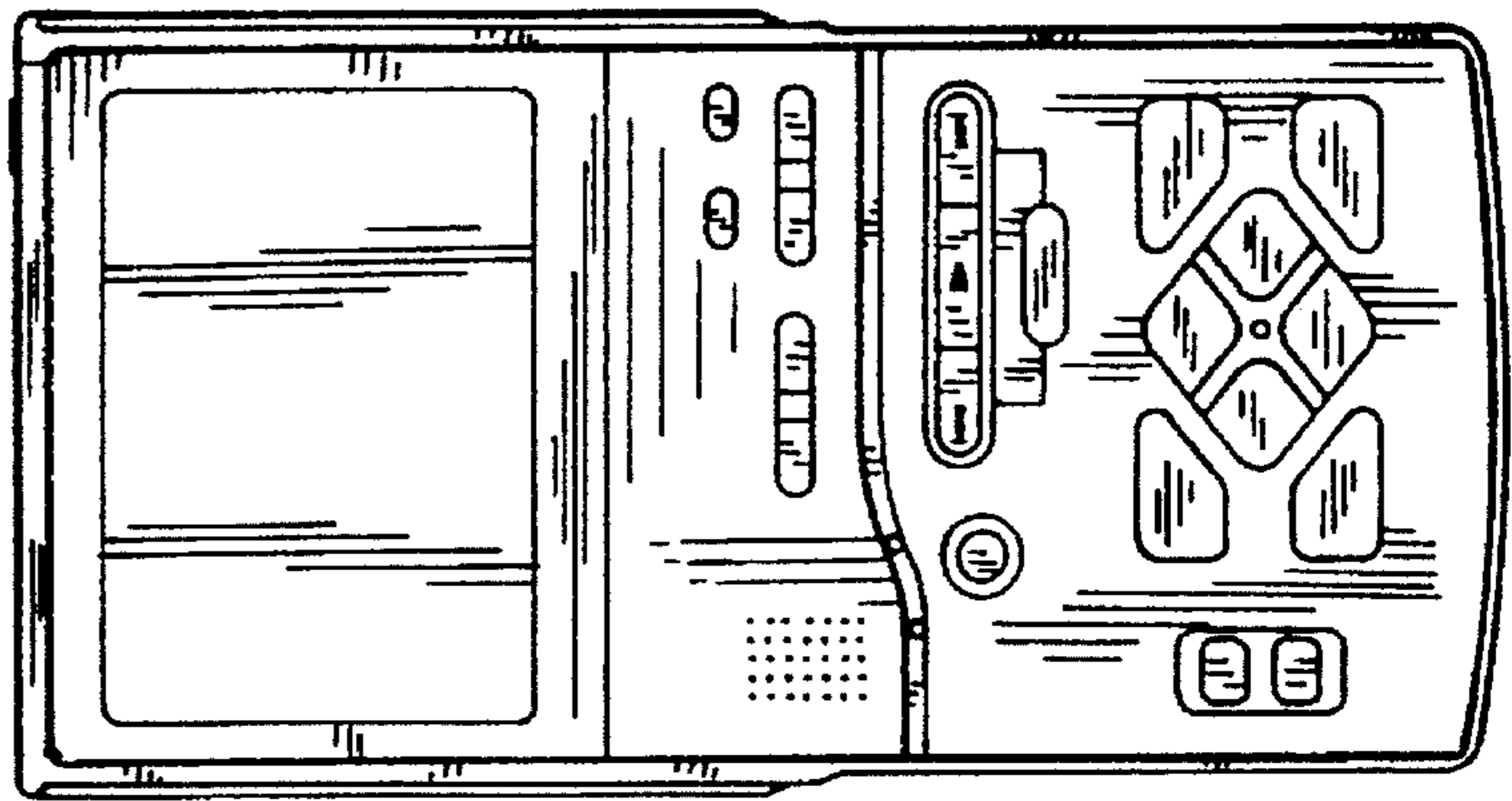


FIG. 7

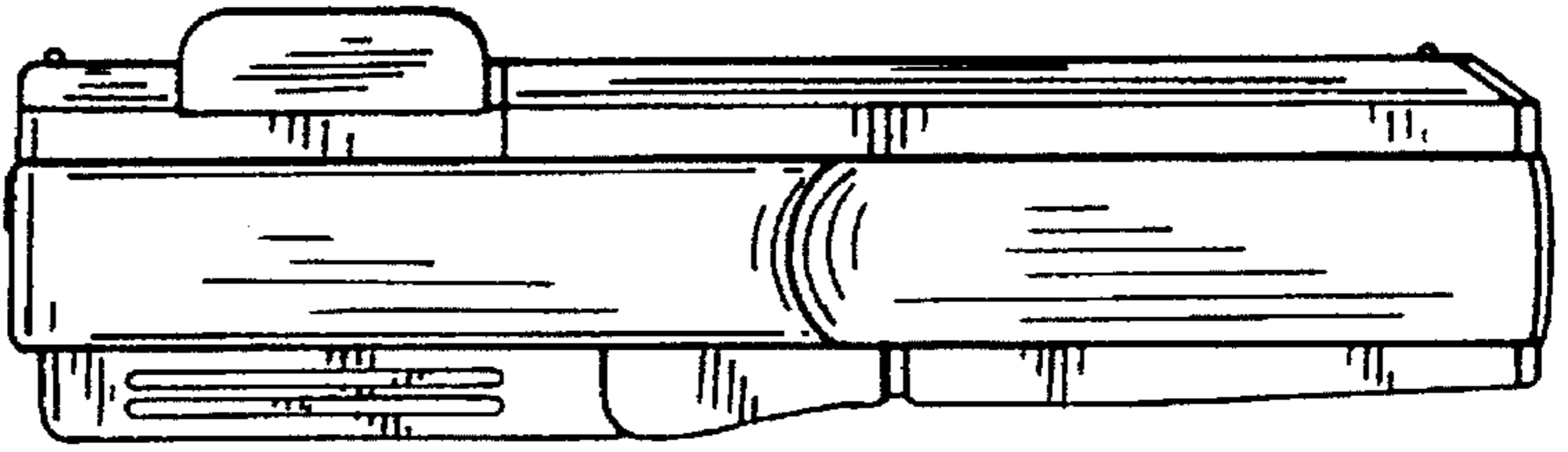
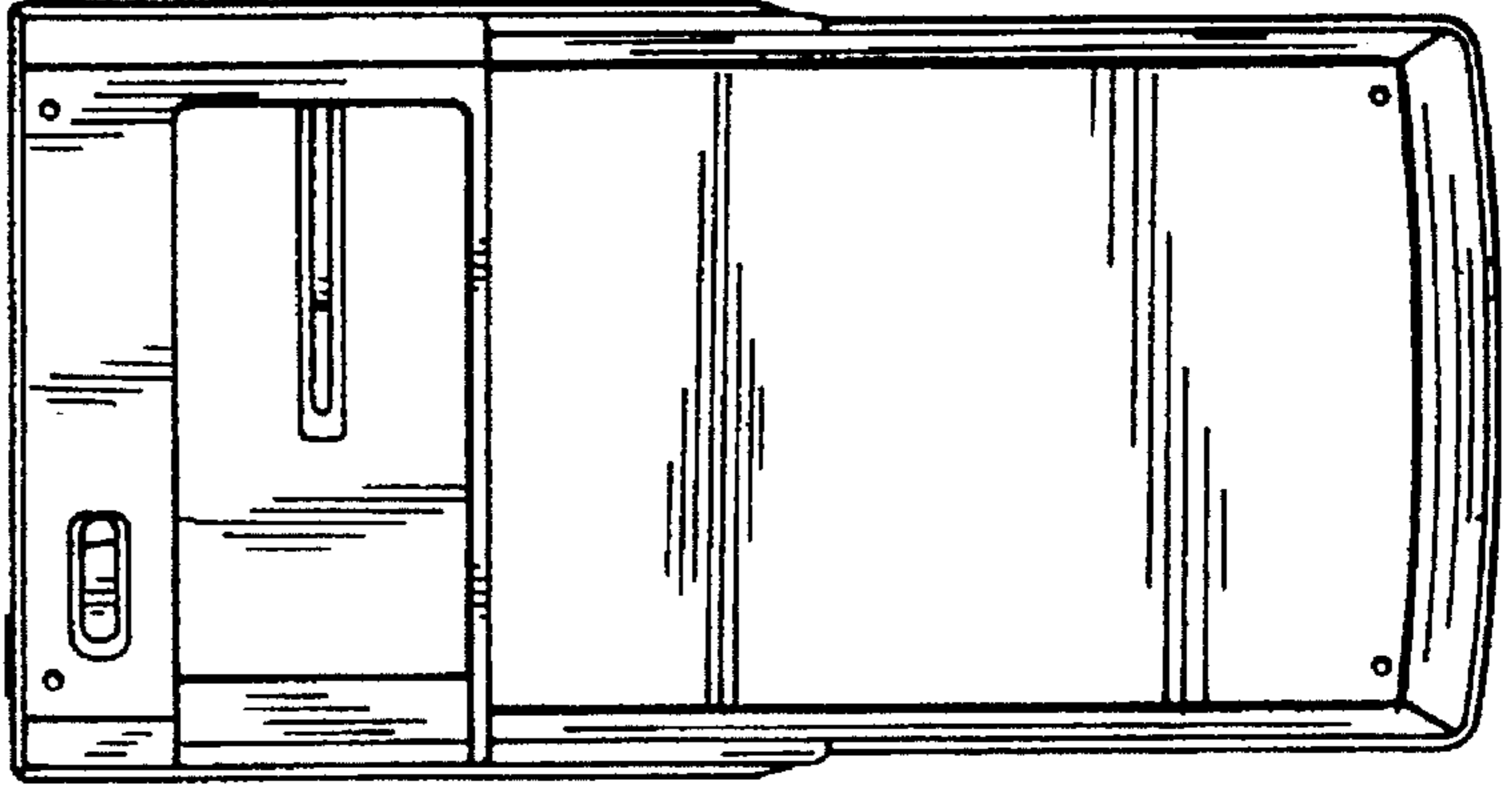


FIG. 8



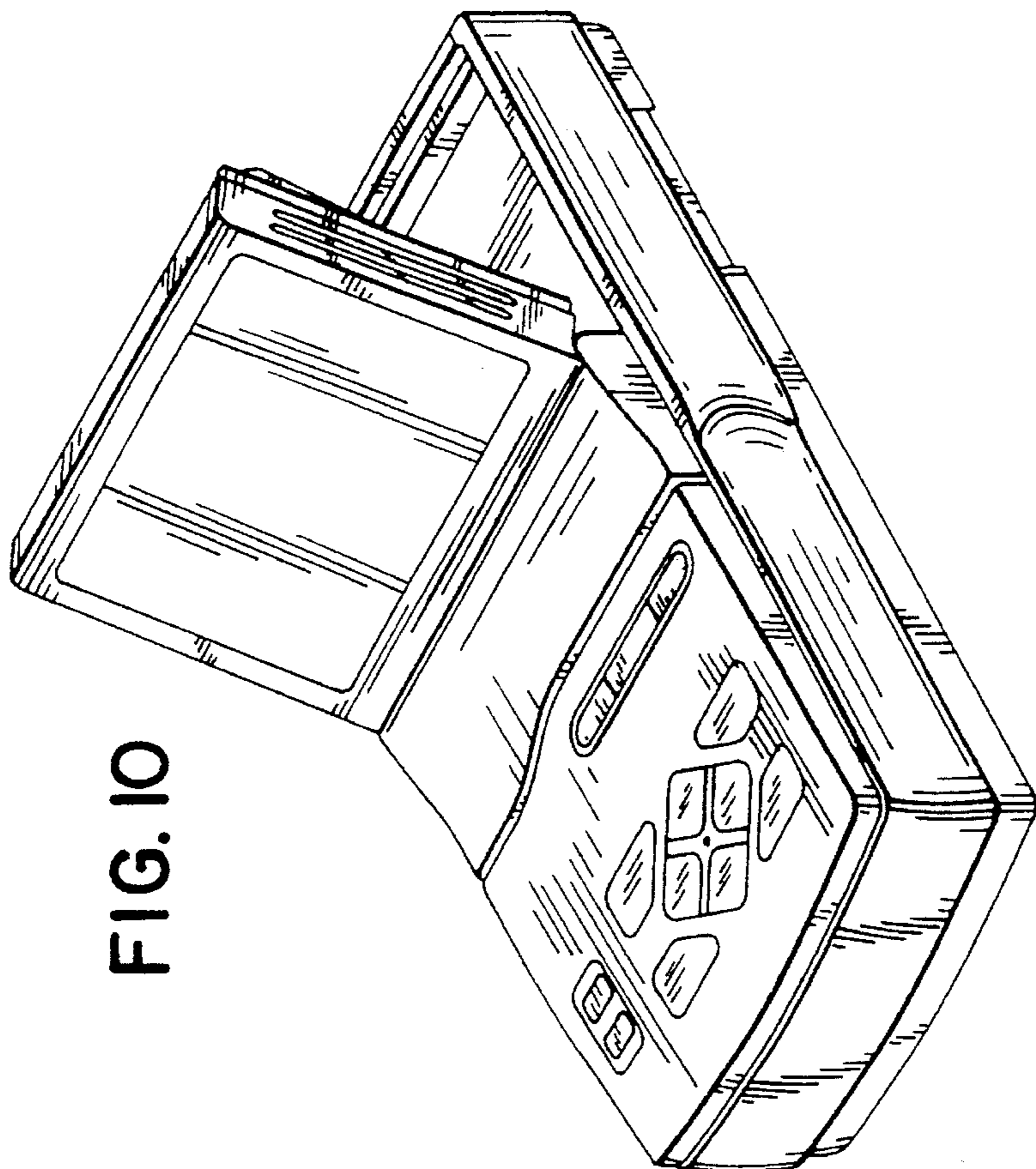


FIG. 10

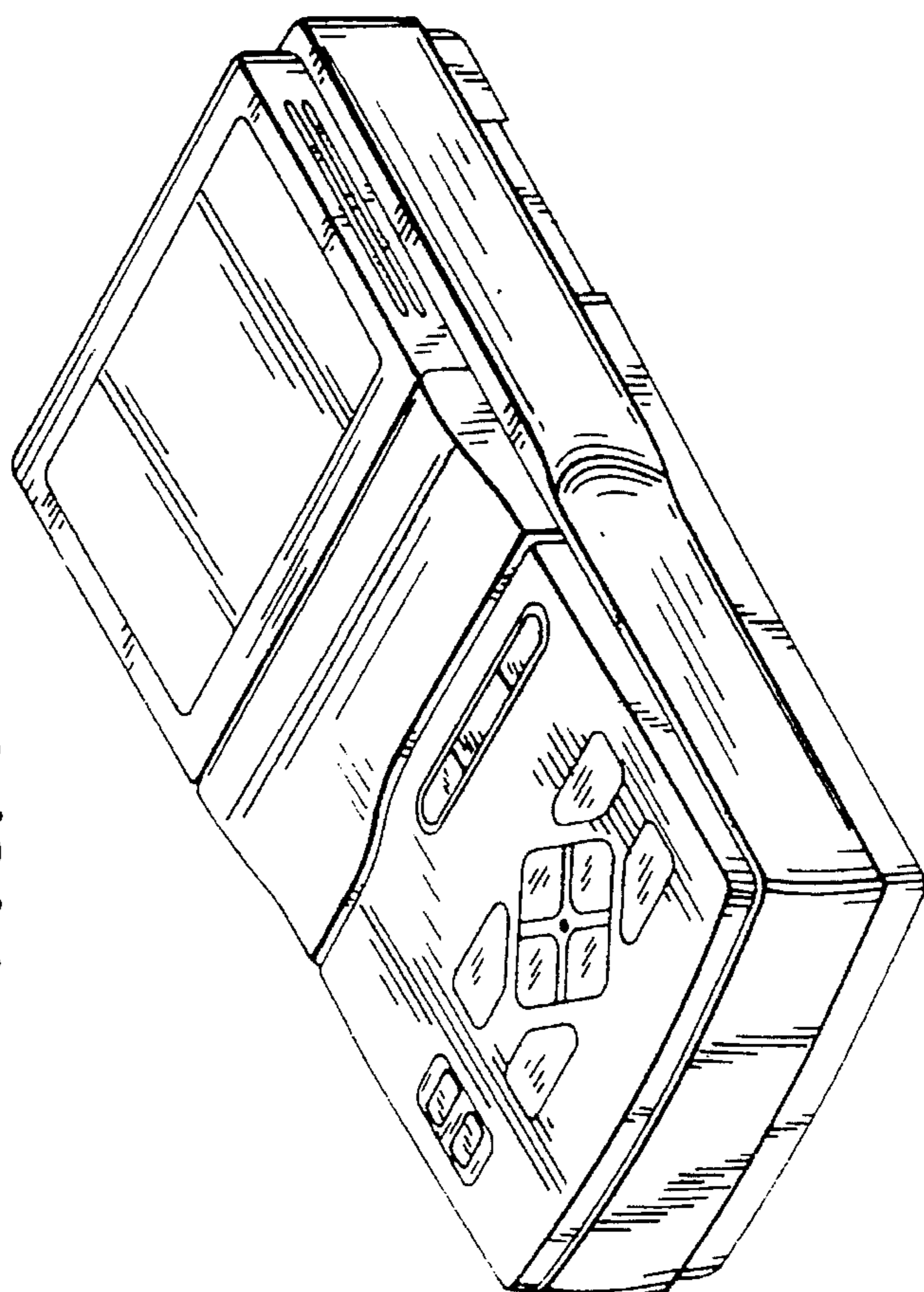


FIG. 9

FIG. 11

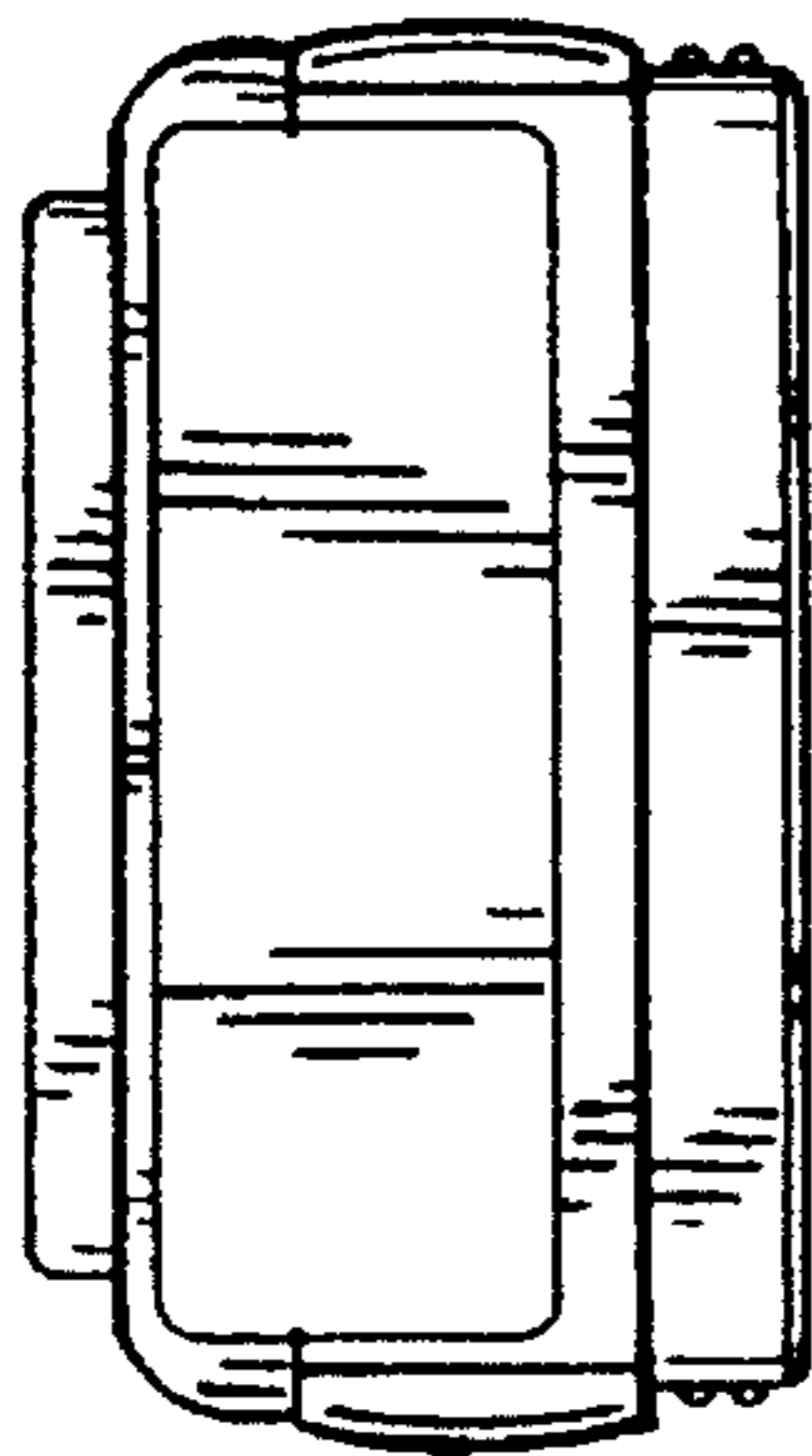


FIG. 14

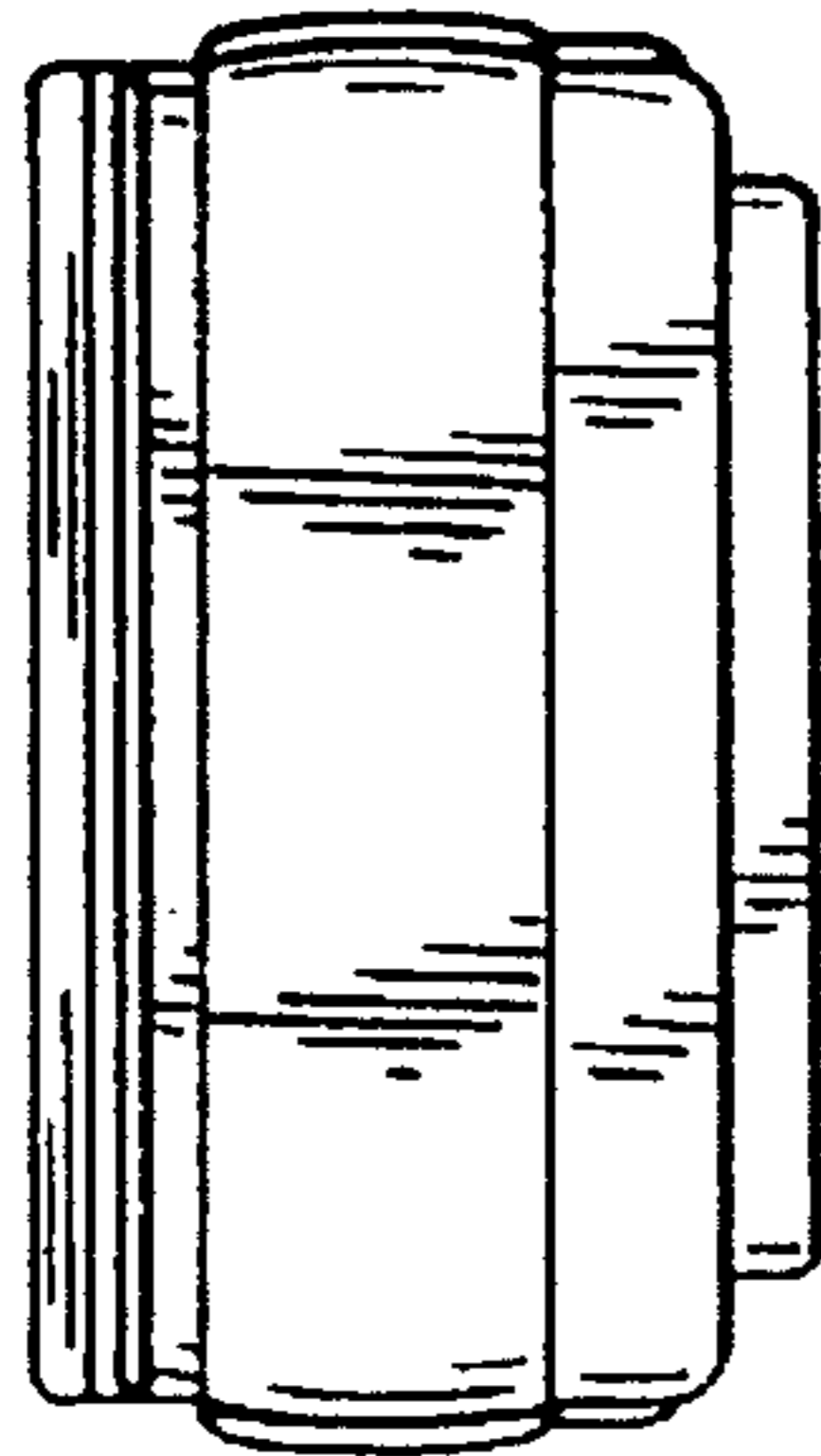


FIG. 12

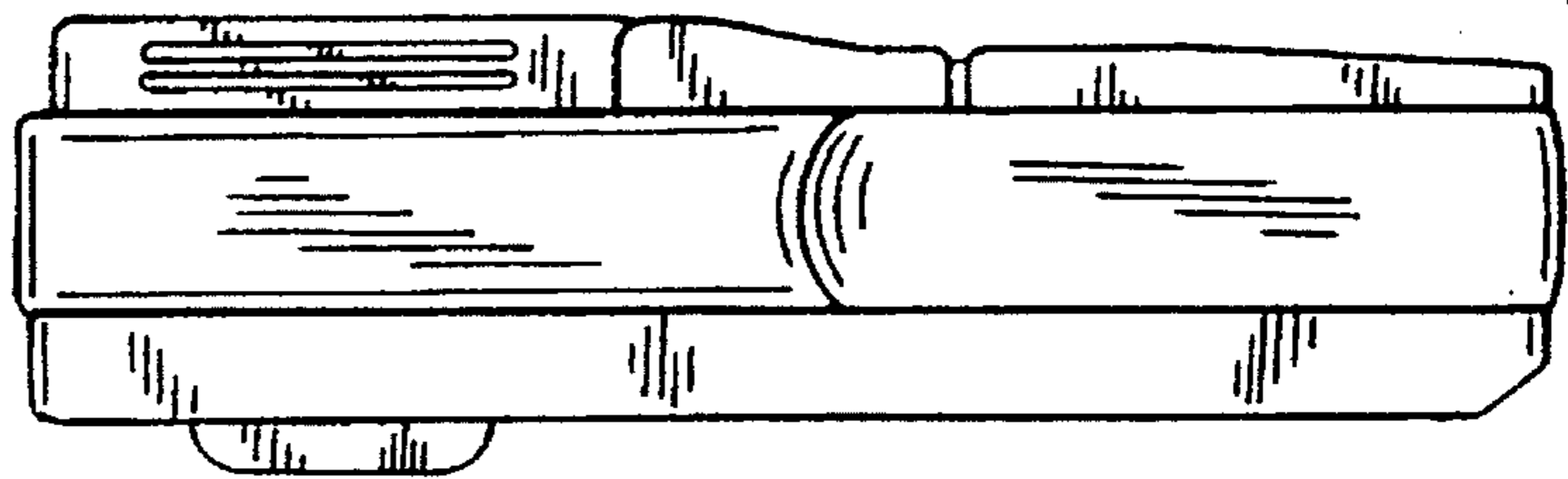


FIG. 13

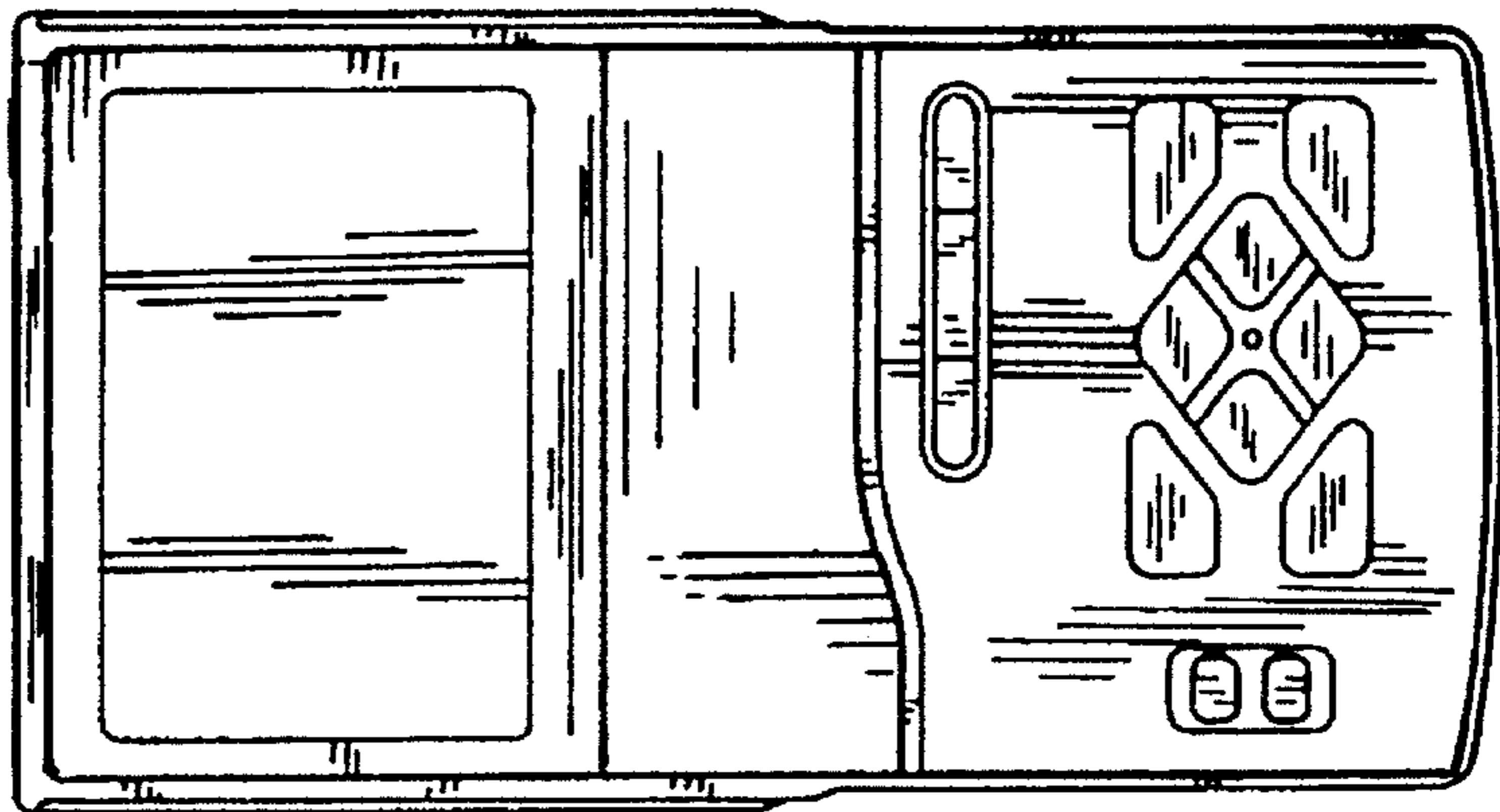


FIG. 15

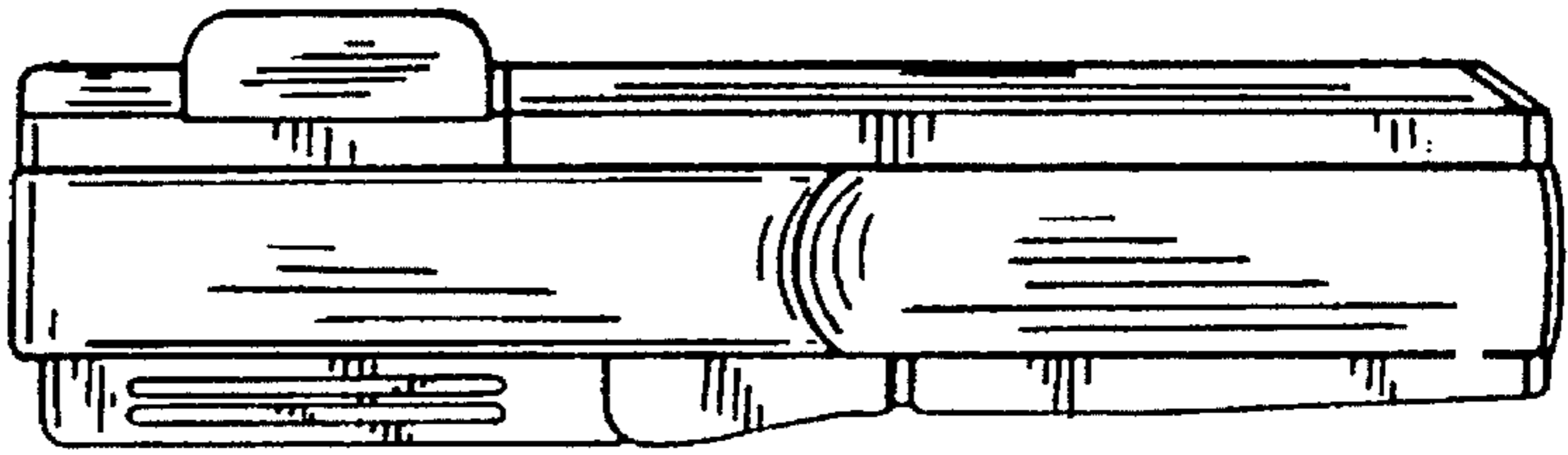


FIG. 16

