



US00D376815S

United States Patent [19]
Vermillion

[11] **Patent Number: Des. 376,815**

[45] **Date of Patent: **Dec. 24, 1996**

[54] **INSERT**

[76] Inventor: **James H. Vermillion**, 2025 W. Century Way, Boise, Id. 83709

[**] Term: **14 Years**

[21] Appl. No.: **27,632**

[22] Filed: **Aug. 25, 1994**

[52] **U.S. Cl.** **D8/354**

[58] **Field of Search** D8/354; D25/135; 16/2; 138/96 R; 52/301

Outwater Plastics, Jul. 18, 1983, p. 19, insert located at top left corner of page.

Sweets Fastening File, 1969, p. 2, hexagonal base for screw located at left of page.

Primary Examiner—Holly Baynham
Attorney, Agent, or Firm—Ken J. Pedersen; Barbara S. Pedersen

[57] **CLAIM**

The ornamental design for an insert, as shown and described.

DESCRIPTION

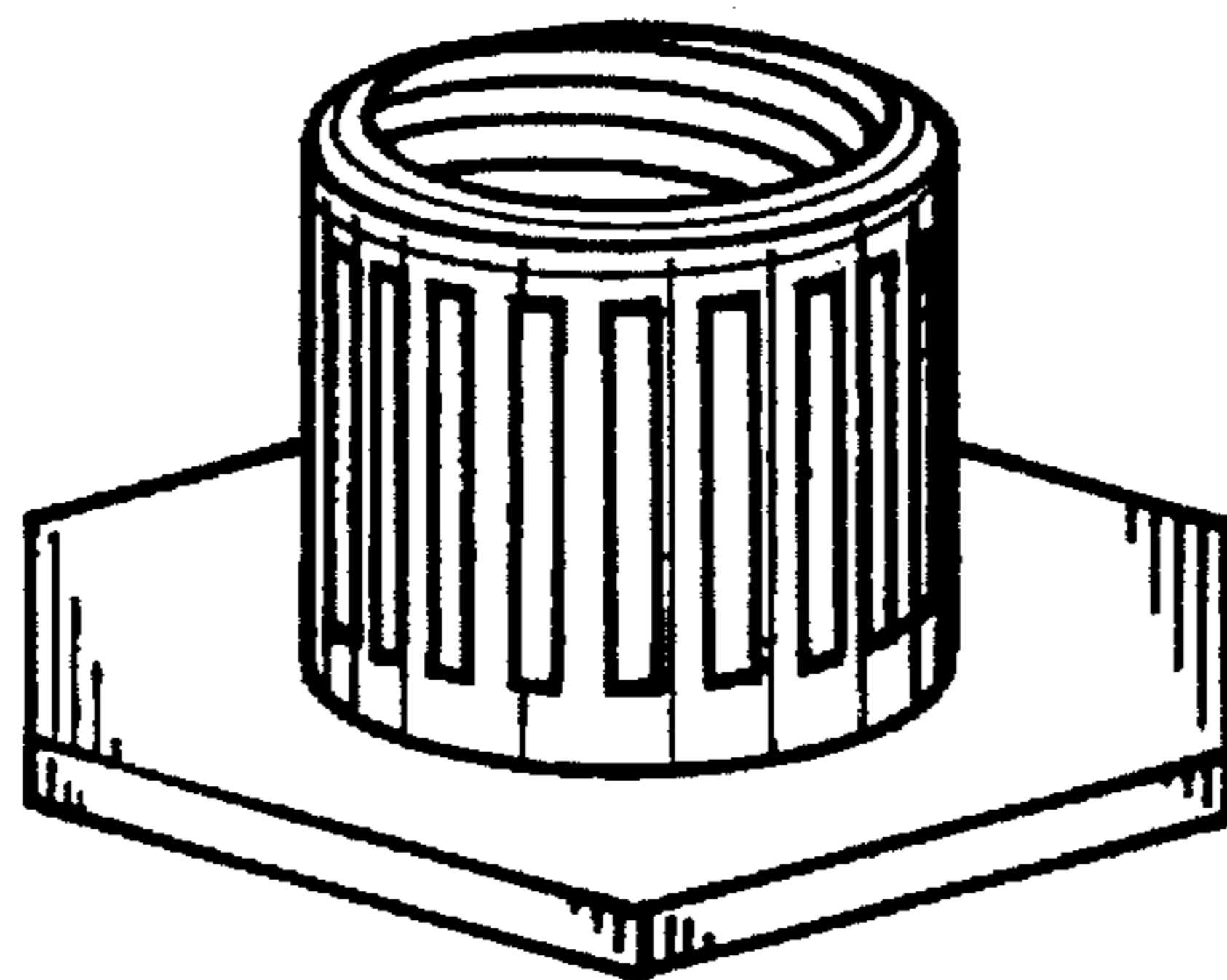
FIG. 1 is a perspective view of my insert design;
FIG. 2 is a side view with the opposite and adjacent sides being mirror images;
FIG. 3 is a bottom view of my design; and,
FIG. 4 is a top view of my design.

1 Claim, 1 Drawing Sheet

[56] **References Cited**

PUBLICATIONS

Thomas and Betts, 1987, p. E167, fitting circled at left of page.
Outwater Plastics, Jul. 18, 1983, p. 398, flange located in center of page.
Outwater Plastics, Jul. 18, 1983, p. 302, insert located at top of page.



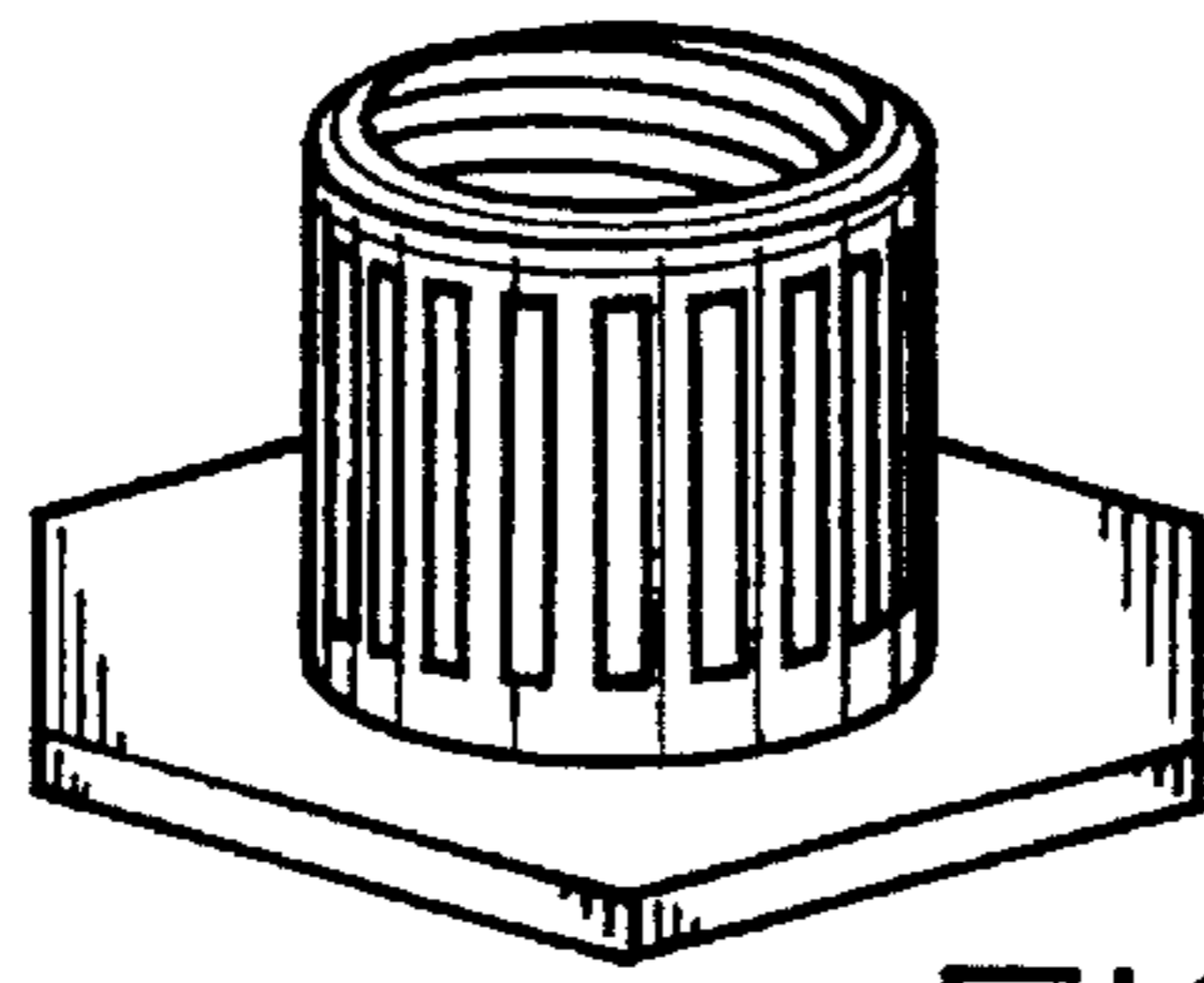


FIG. 1

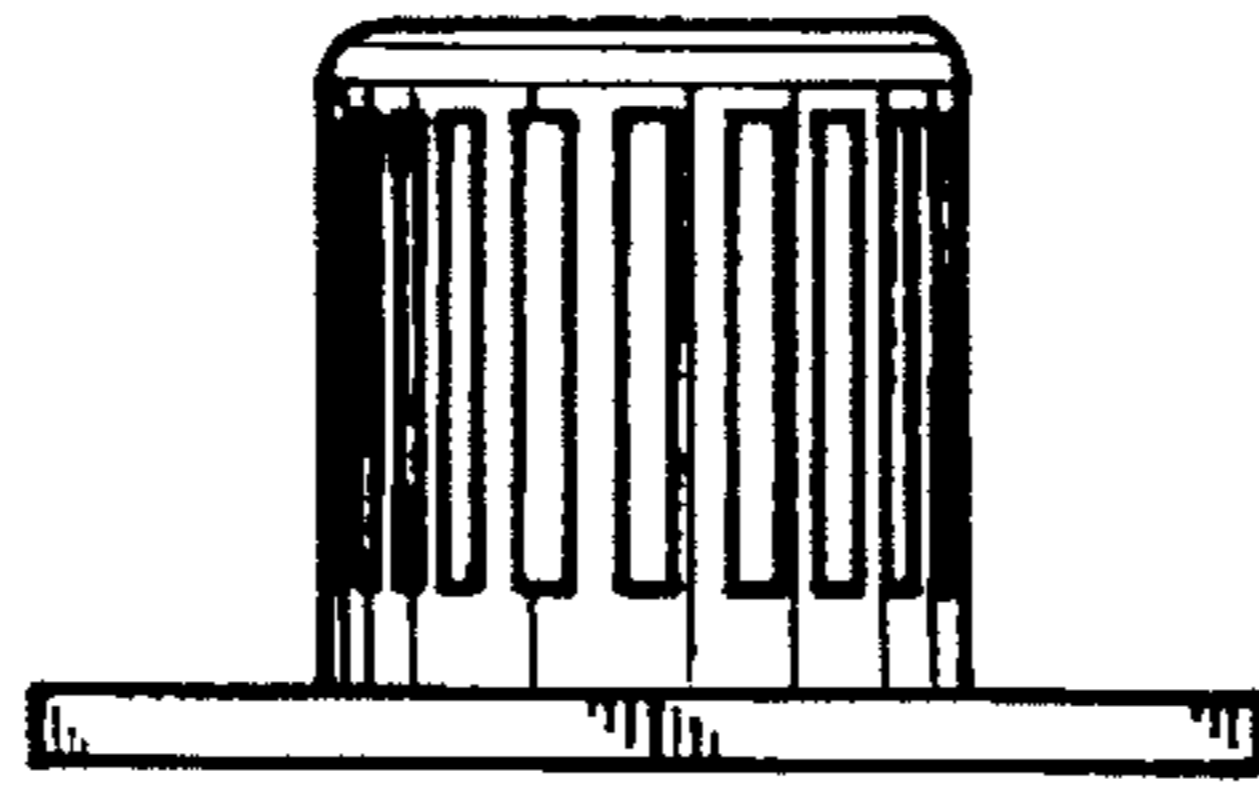


FIG. 2

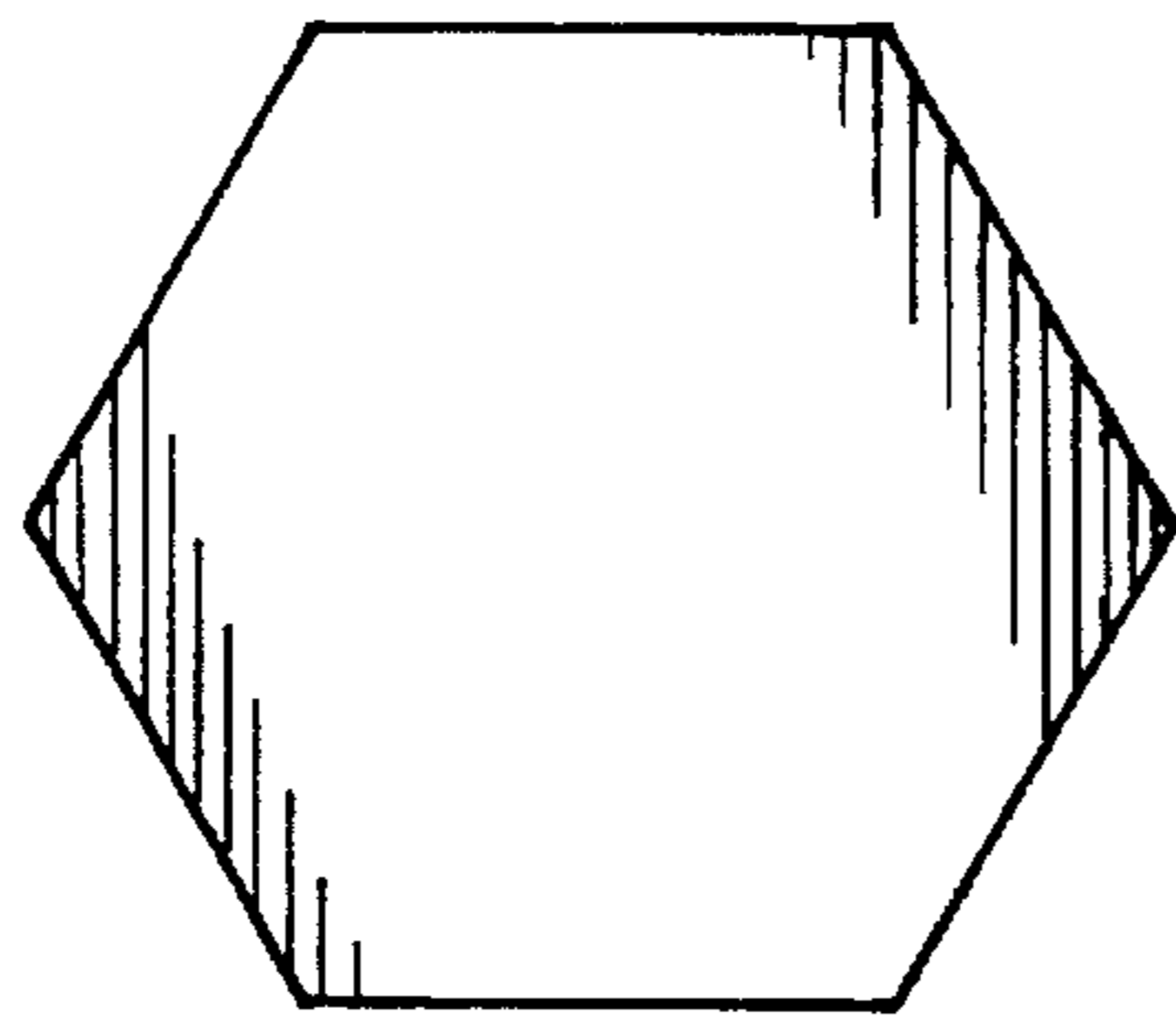


FIG. 3

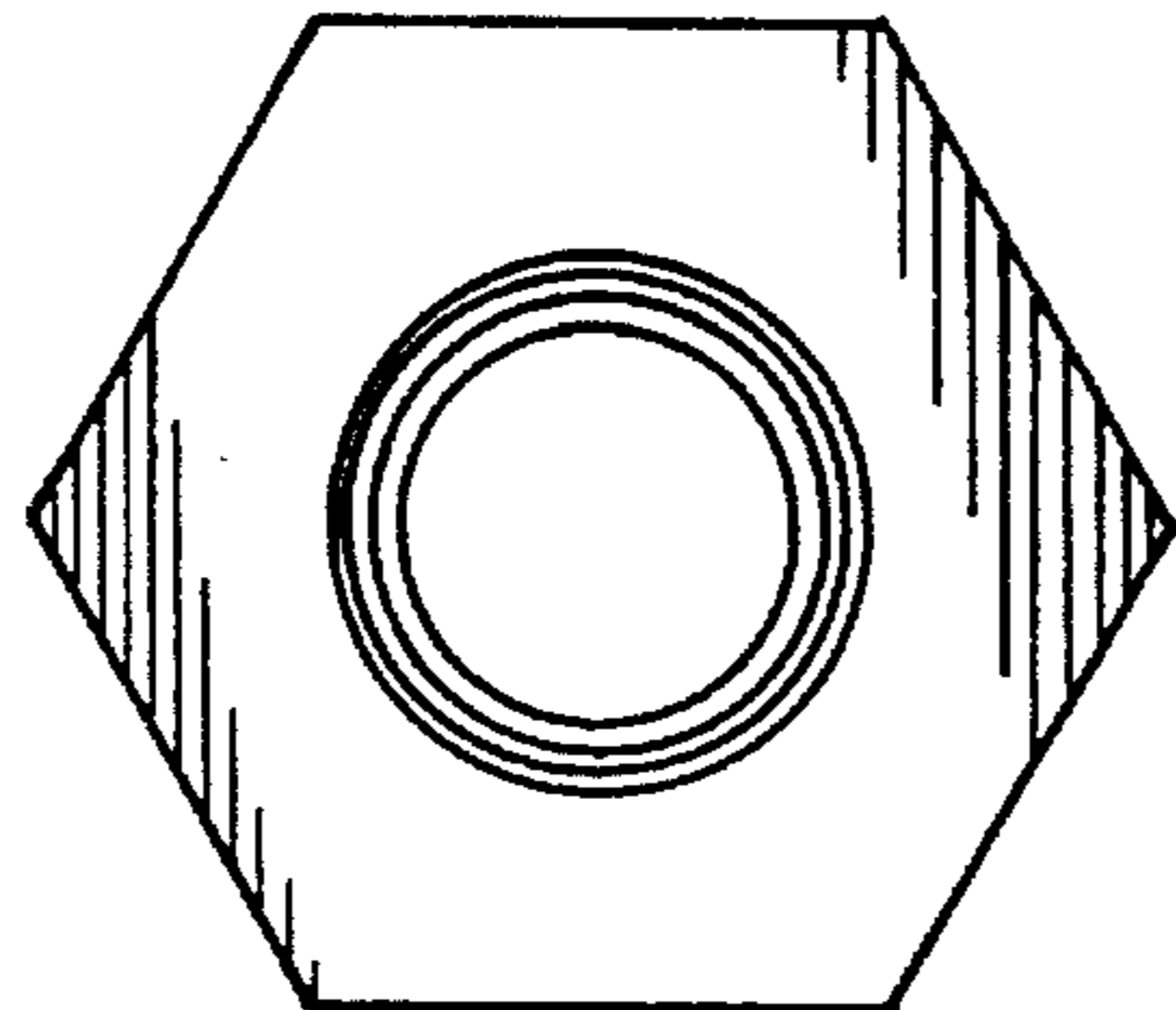


FIG. 4