



US00D376814S

United States Patent [19]

[11] Patent Number: **Des. 376,814**

Asai et al.

[45] Date of Patent: ****Dec. 24, 1996**

[54] **PRINTER**

[75] Inventors: **Tomonari Asai; Shinji Matsumoto**,
both of Toyokawa, Japan

[73] Assignee: **Minolta Co., Ltd.**, Osaka, Japan

[**] Term: **14 Years**

[21] Appl. No.: **31,837**

[22] Filed: **Dec. 7, 1994**

[30] **Foreign Application Priority Data**

Jun. 10, 1994 [JP] Japan 6-17043

[52] **U.S. Cl.** **D18/50**

[58] **Field of Search** D18/50, 54, 55;
400/691-694, 613, 613.1-613.4, 690.1-690.4

[56] **References Cited**

U.S. PATENT DOCUMENTS

D. 304,598	11/1989	Jokl	D18/55
D. 333,484	2/1993	Neumeister	D18/55
D. 338,487	8/1993	Martin	D18/54
D. 339,373	9/1993	Gassett et al.	D18/50
D. 353,154	12/1994	Suzuki	D18/50
5,028,935	7/1991	Warmack et al.	D18/55
5,061,097	10/1991	Piatt	400/691

FOREIGN PATENT DOCUMENTS

5844423 8/1985 Japan D18/55

OTHER PUBLICATIONS

Spectra* Star brochure from General Parametrics; Spectra* Star Q40 Color Printer.

Oki Laserline 6 Printer brochure.

EPSON catalogue; Dec. 3, 1993; LP-1500s Laser Printer.

Primary Examiner—Cathy Anne MacCormac

Attorney, Agent, or Firm—Burns, Doane, Swecker & Mathis, LLP

[57] **CLAIM**

The ornamental design for the printer, as shown and described herein.

DESCRIPTION

FIG. 1 is a front elevational view of the printer incorporating our new design;

FIG. 2 is a top view thereof;

FIG. 3 is a left side elevational view thereof;

FIG. 4 is a right side elevational view thereof;

FIG. 5 is a rear elevational view thereof;

FIG. 6 is a bottom view thereof;

FIG. 7 is a perspective view thereof; and,

FIG. 8 is a perspective view thereof.

1 Claim, 5 Drawing Sheets

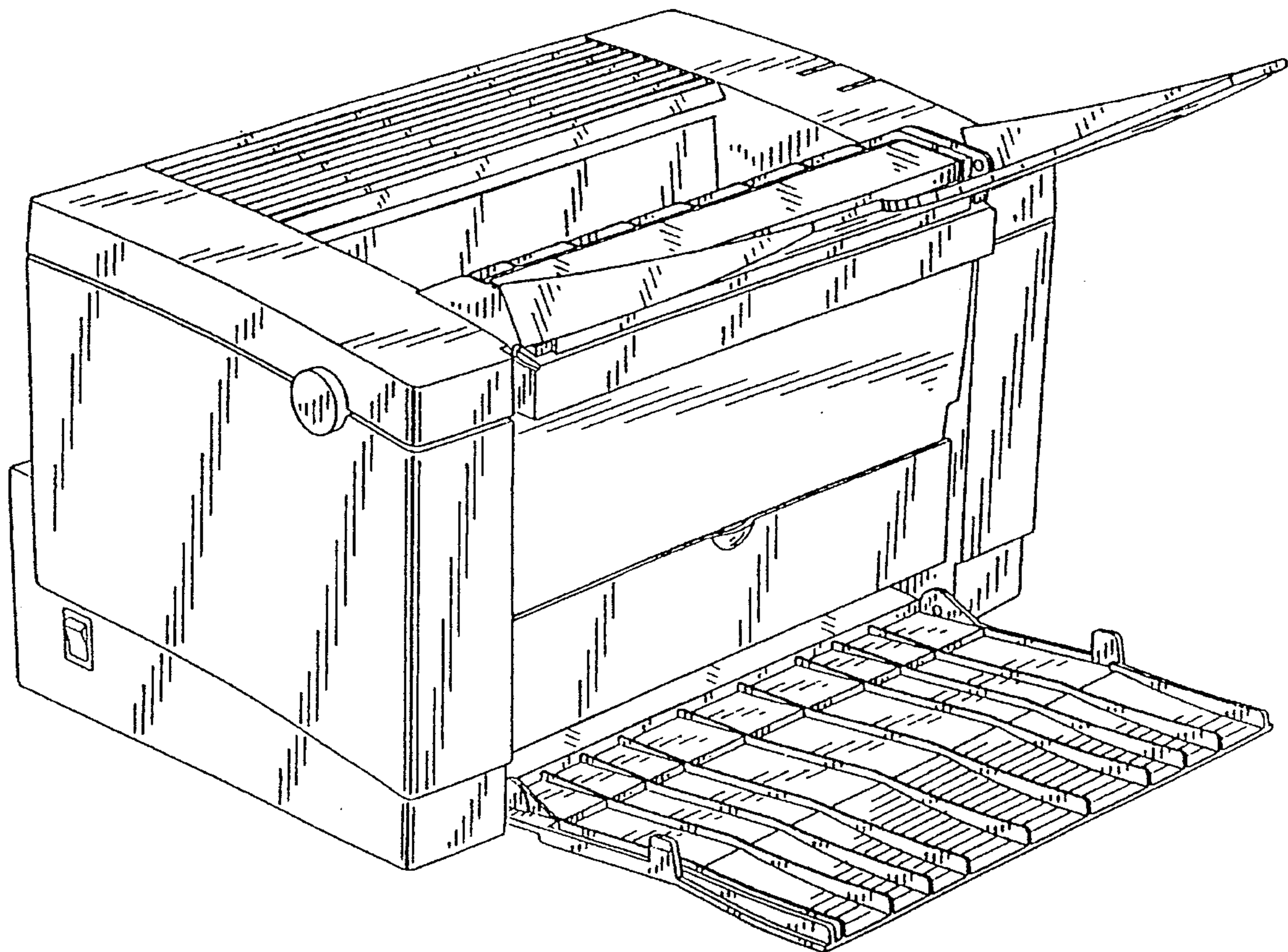


Fig. 1

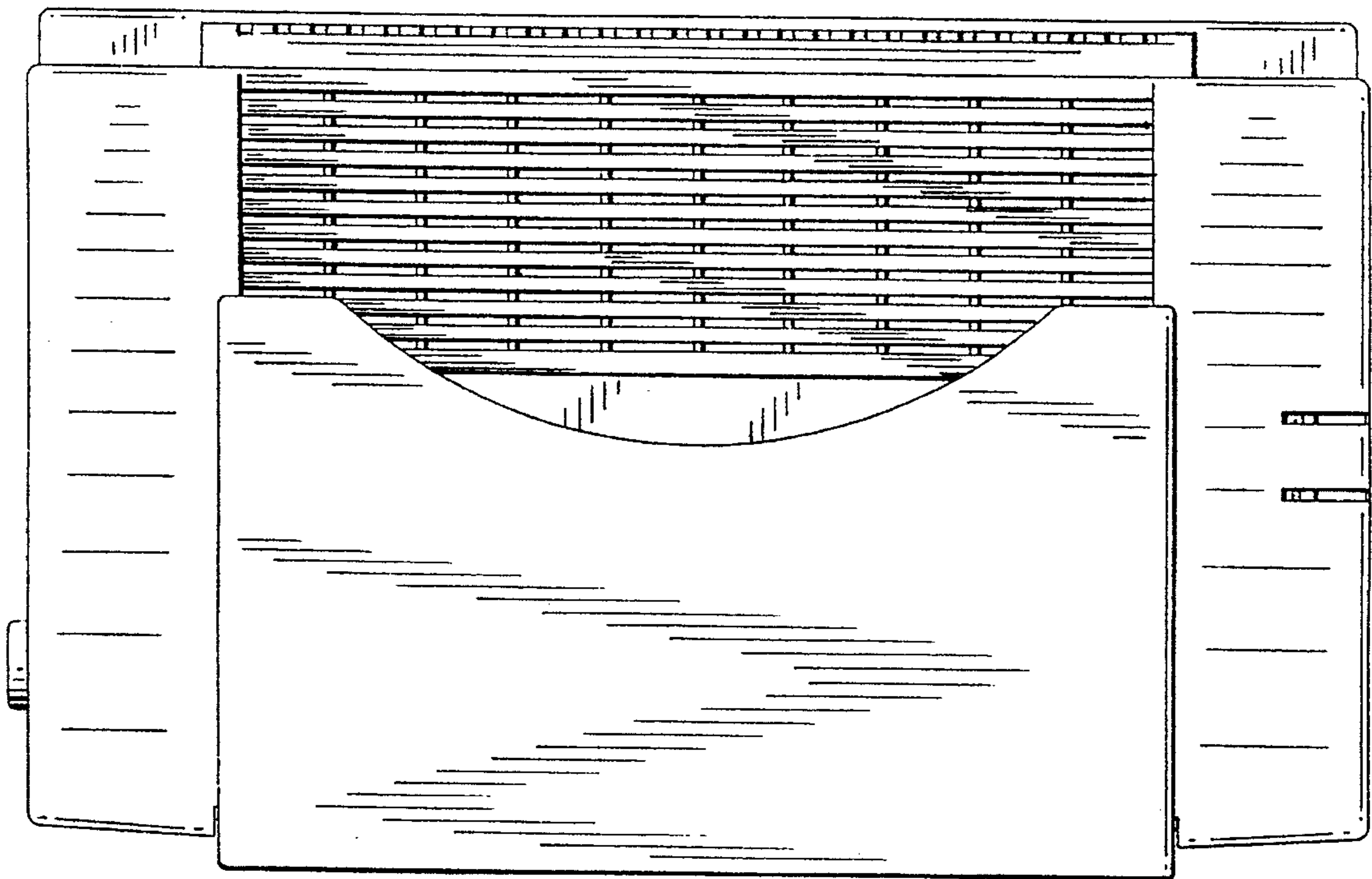
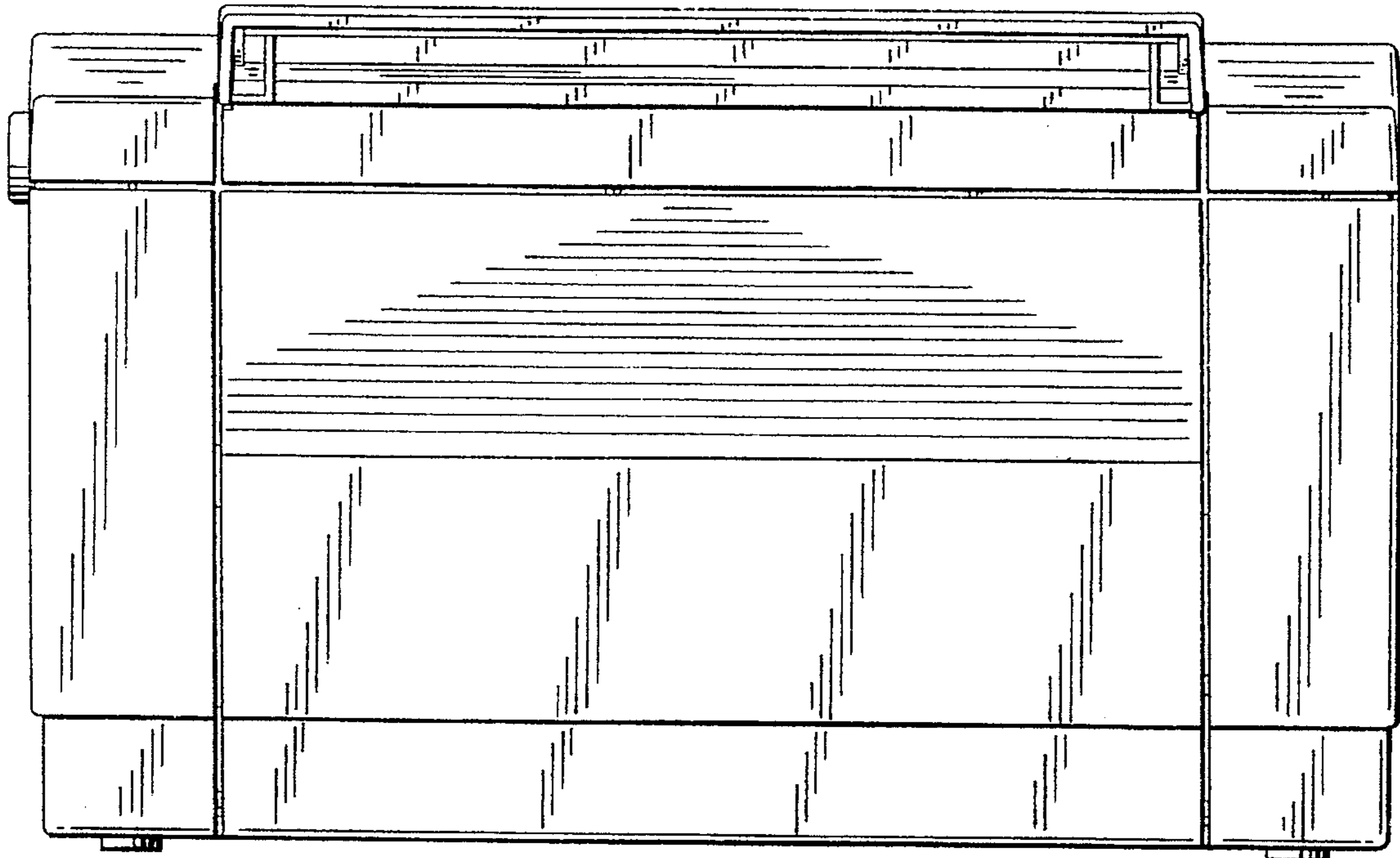


Fig. 2

Fig. 3

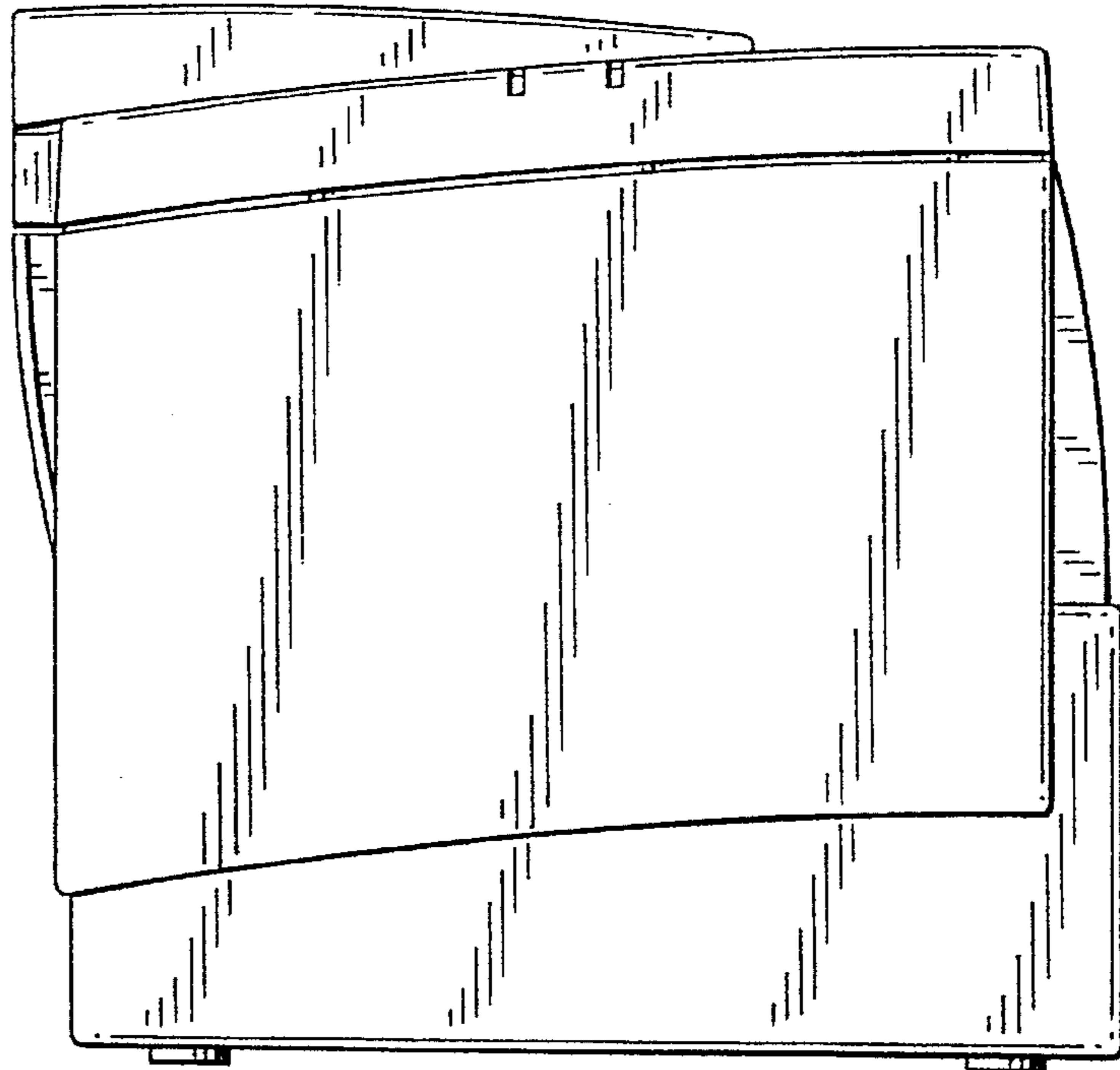
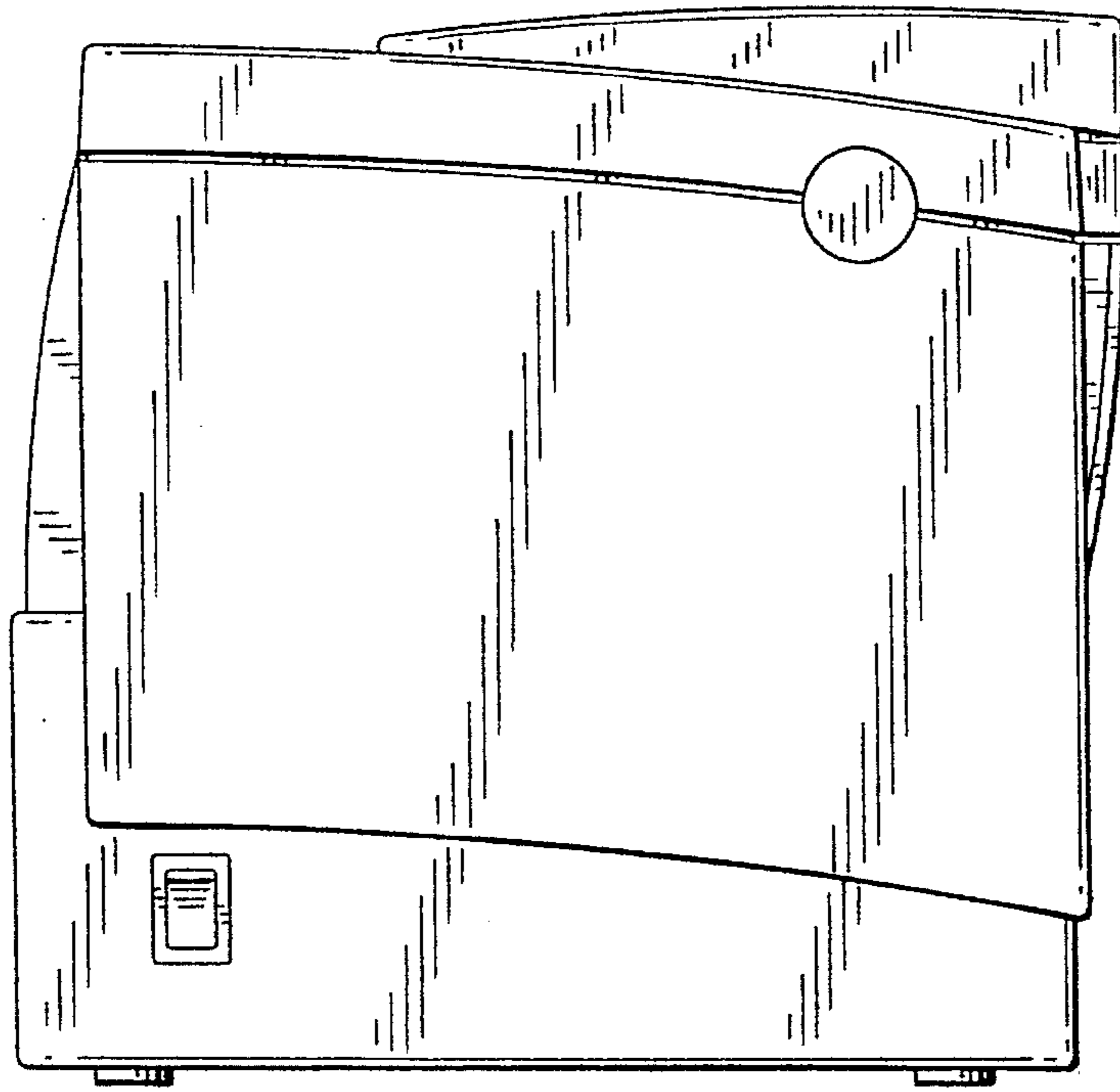


Fig. 4

Fig. 5

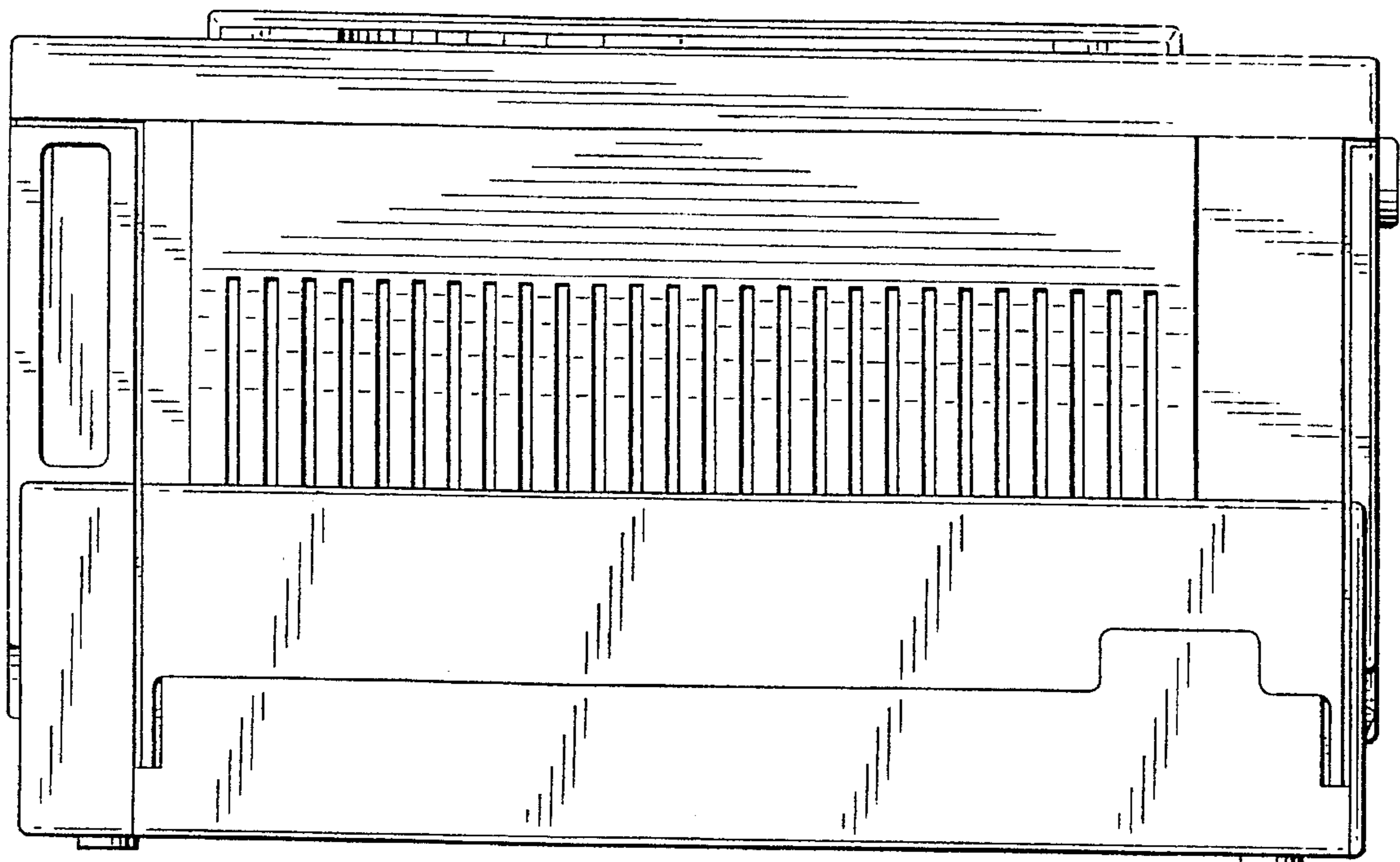
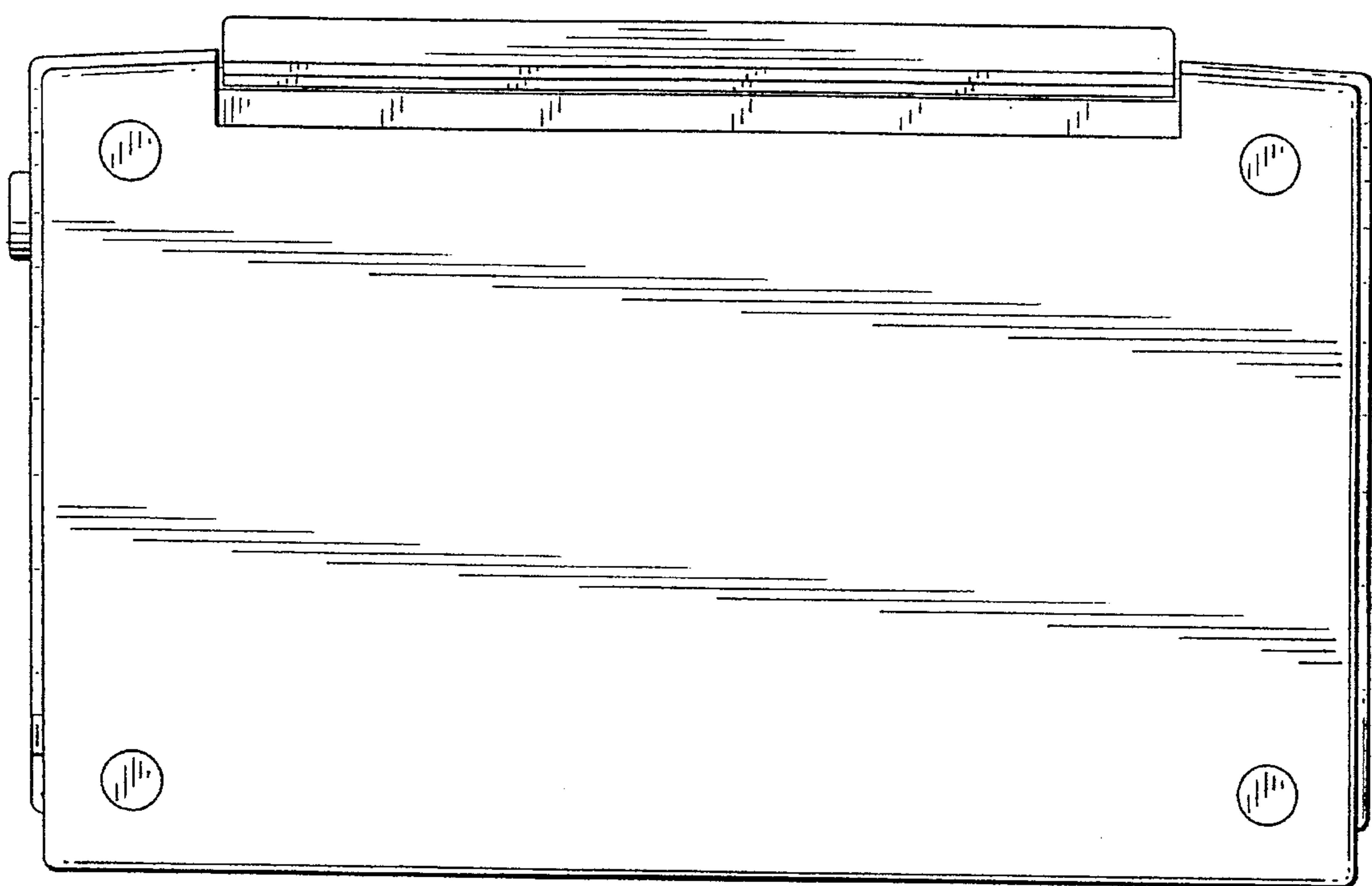


Fig. 6



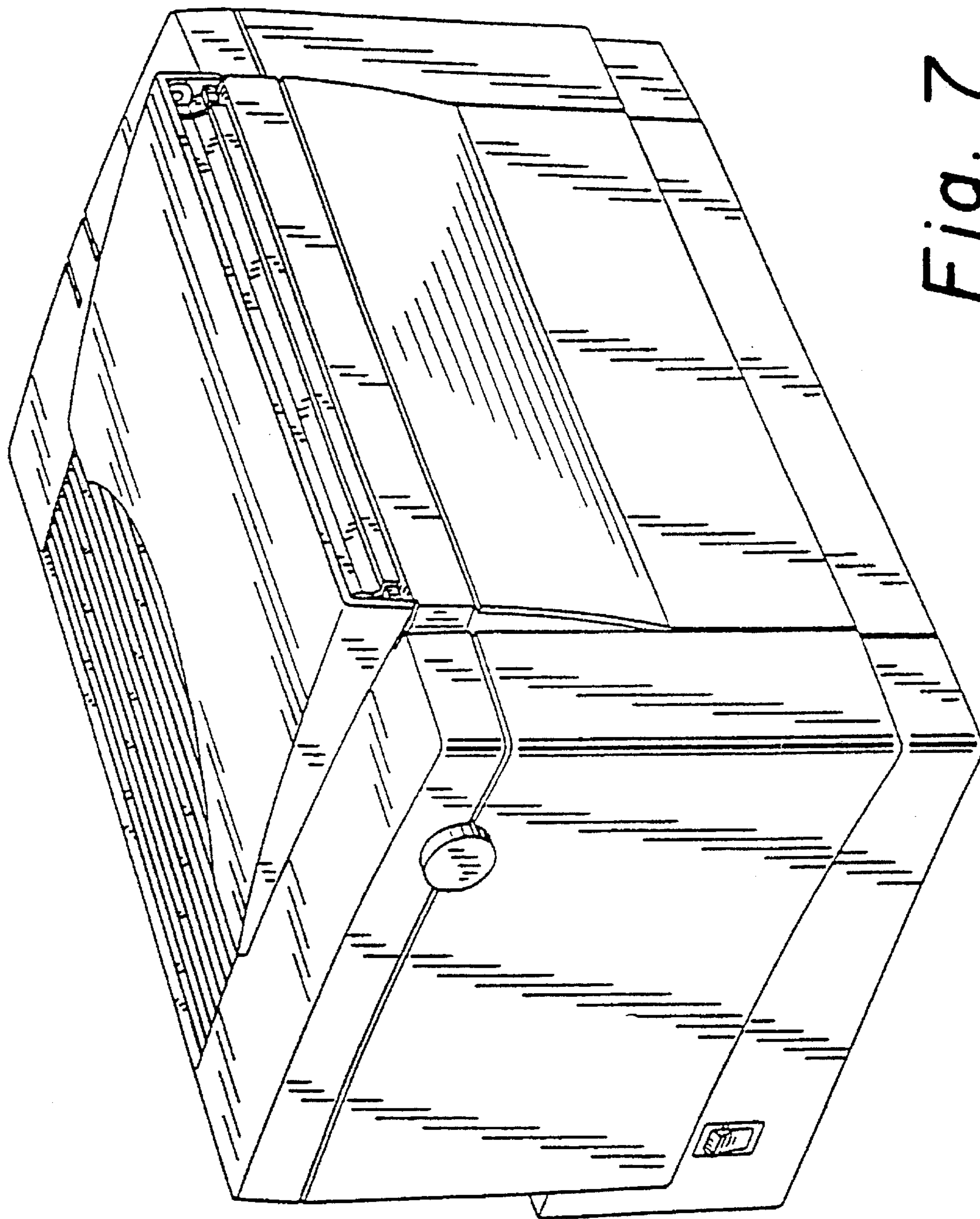


Fig. 7

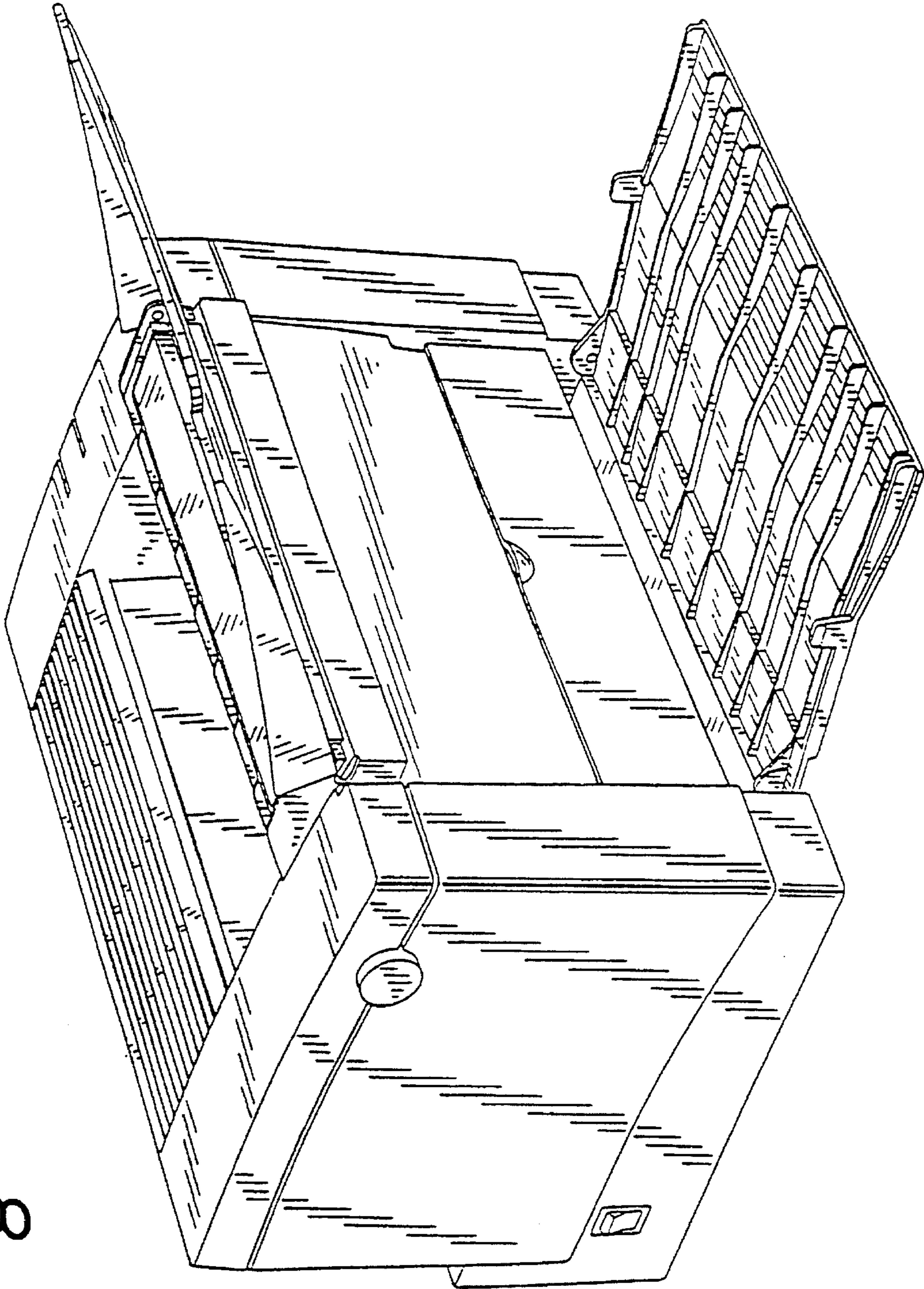


Fig. 8