



US00D376813S

United States Patent [19]

[11] Patent Number: **Des. 376,813**

Haug et al.

[45] Date of Patent: ****Dec. 24, 1996**

[54] BINDING DEVICE

[75] Inventors: **Andreas Haug; Tom Schönherr**, both of Stuttgart, Germany; **Hiroshi Otsuka**, Funabashi, Japan

[73] Assignee: **King Jim Co., Ltd.**, Tokyo, Japan

[**] Term: **14 Years**

[21] Appl. No.: **47,194**

[22] Filed: **Nov. 28, 1995**

[30] Foreign Application Priority Data

May 31, 1995	[JP]	Japan	7-15164
[52]	U.S. Cl.		D18/34
[58]	Field of Search	D18/34, 99; 281/2, 281/4, 5, 6, 7, 27.3; 24/67.11, 67 R, 67.5, 67.3; D19/86, 88	

[56] References Cited

U.S. PATENT DOCUMENTS

160,323	3/1875	Hoffman	24/67.3
D. 330,049	10/1992	Lathop, Jr. et al.	D18/34
3,827,109	8/1974	Langwell	24/67.5
4,219,910	9/1980	Kruska et al.	24/67.3
5,479,682	1/1996	Hendrikx et al.	24/67.11

FOREIGN PATENT DOCUMENTS

0442830	12/1948	Italy	24/67.5
---------	---------	-------	-------	---------

OTHER PUBLICATIONS

Domus Magazine—vol. 782, p. 54 “Wevox” Office System Designed 1991 May 1996.

Primary Examiner—Louis S. Zarfes

Assistant Examiner—Frank Martinez

Attorney, Agent, or Firm—Frishauf, Holtz, Goodman, Langer & Chick

[57] CLAIM

The ornamental design for a binding device, as shown and described.

DESCRIPTION

FIG. 1 is a top, front and left side perspective view of a binding device showing our new design;

FIG. 2 is a top, rear and right side perspective view thereof showing the binder with the operating lever lifted about half-way up;

FIG. 3 is a top plan view thereof;

FIG. 4 is a front elevational view thereof;

FIG. 5 is a rear elevational view thereof;

FIG. 6 is a bottom plan view thereof;

FIG. 7 is a left side view thereof;

FIG. 8 is a right side view thereof;

FIG. 9 is a front view thereof with the lever fully lifted up; and,

FIG. 10 is a left side view thereof with the lever fully lifted up.

1 Claim, 4 Drawing Sheets

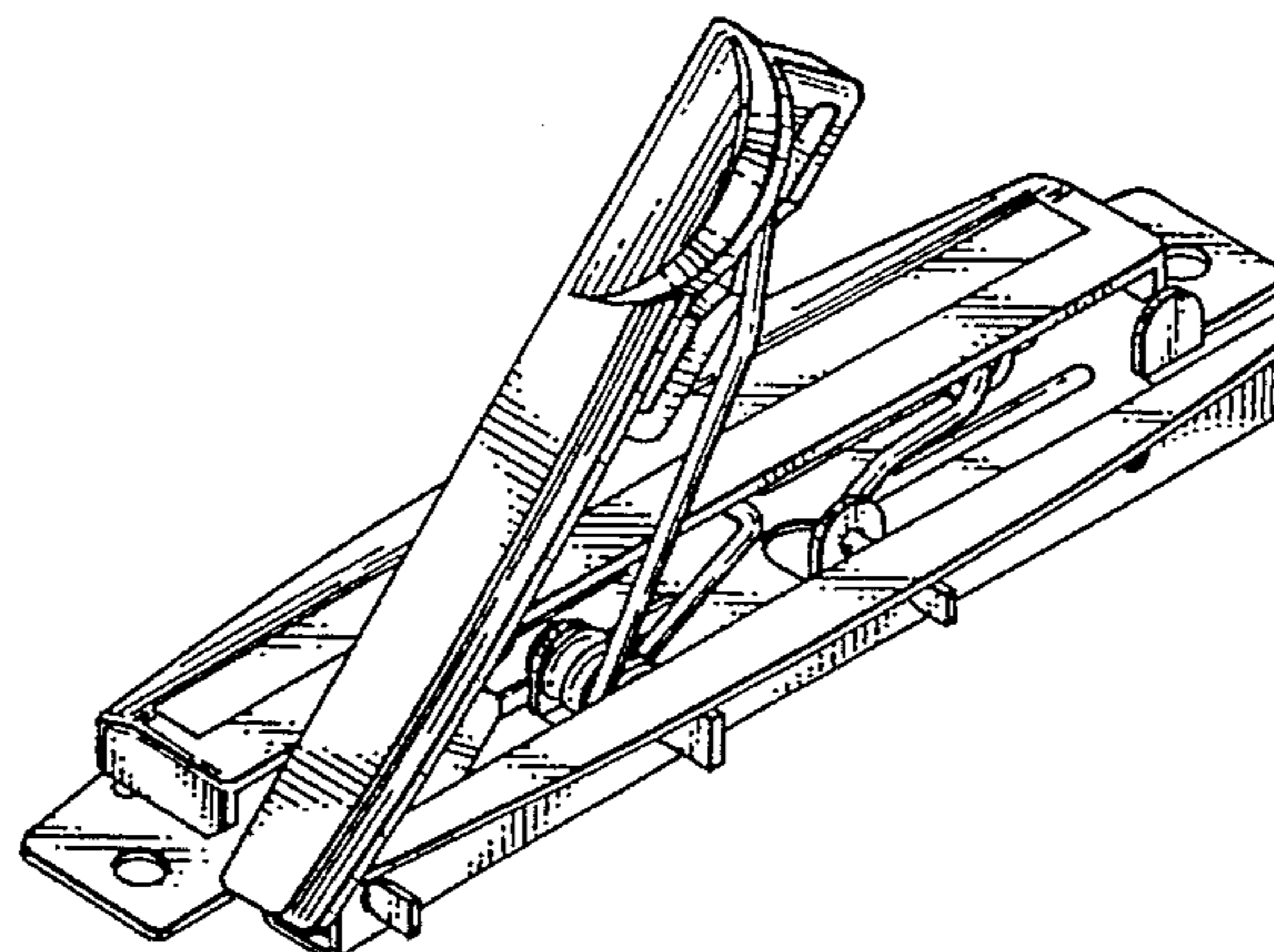
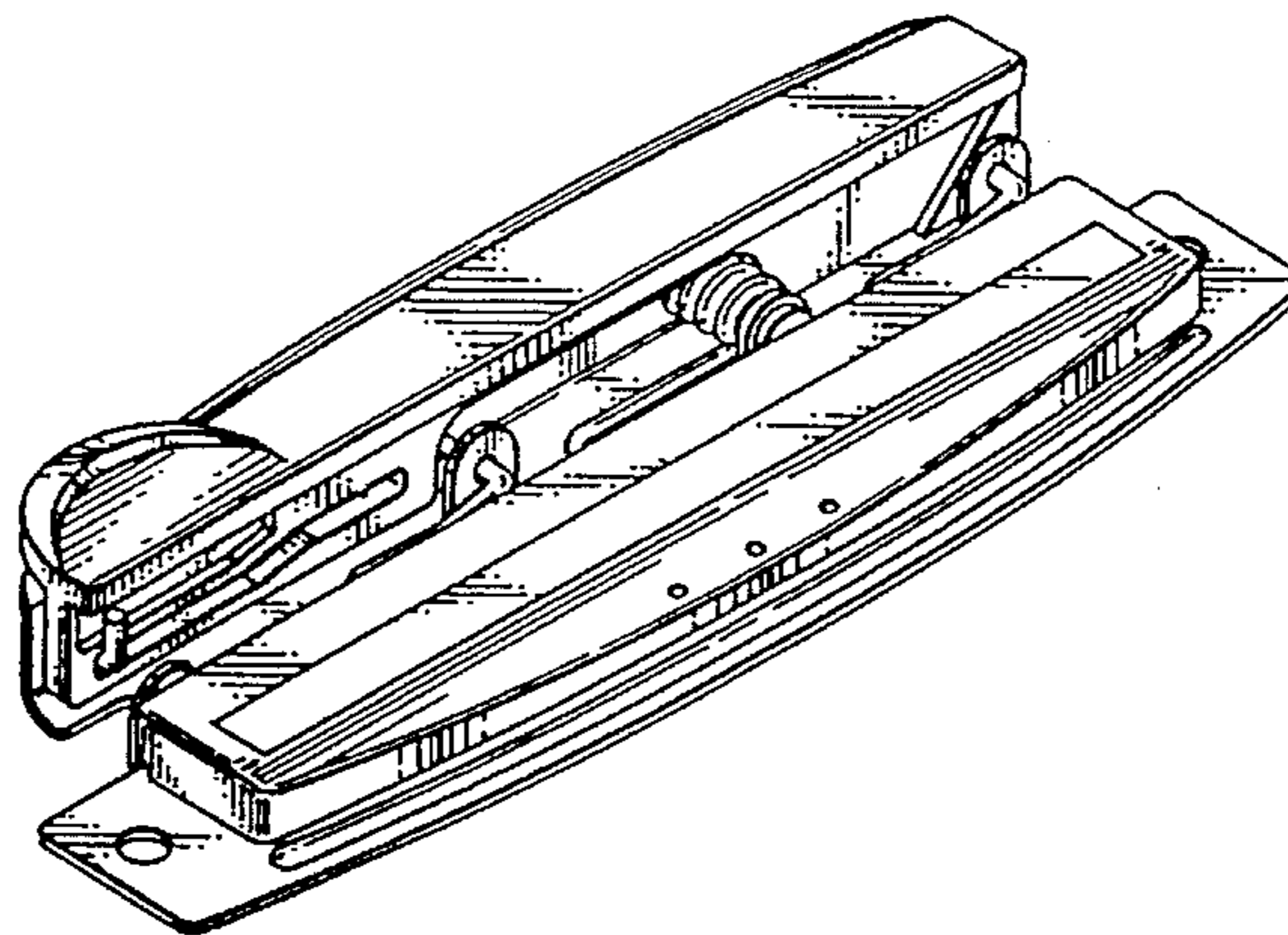


FIG. 1

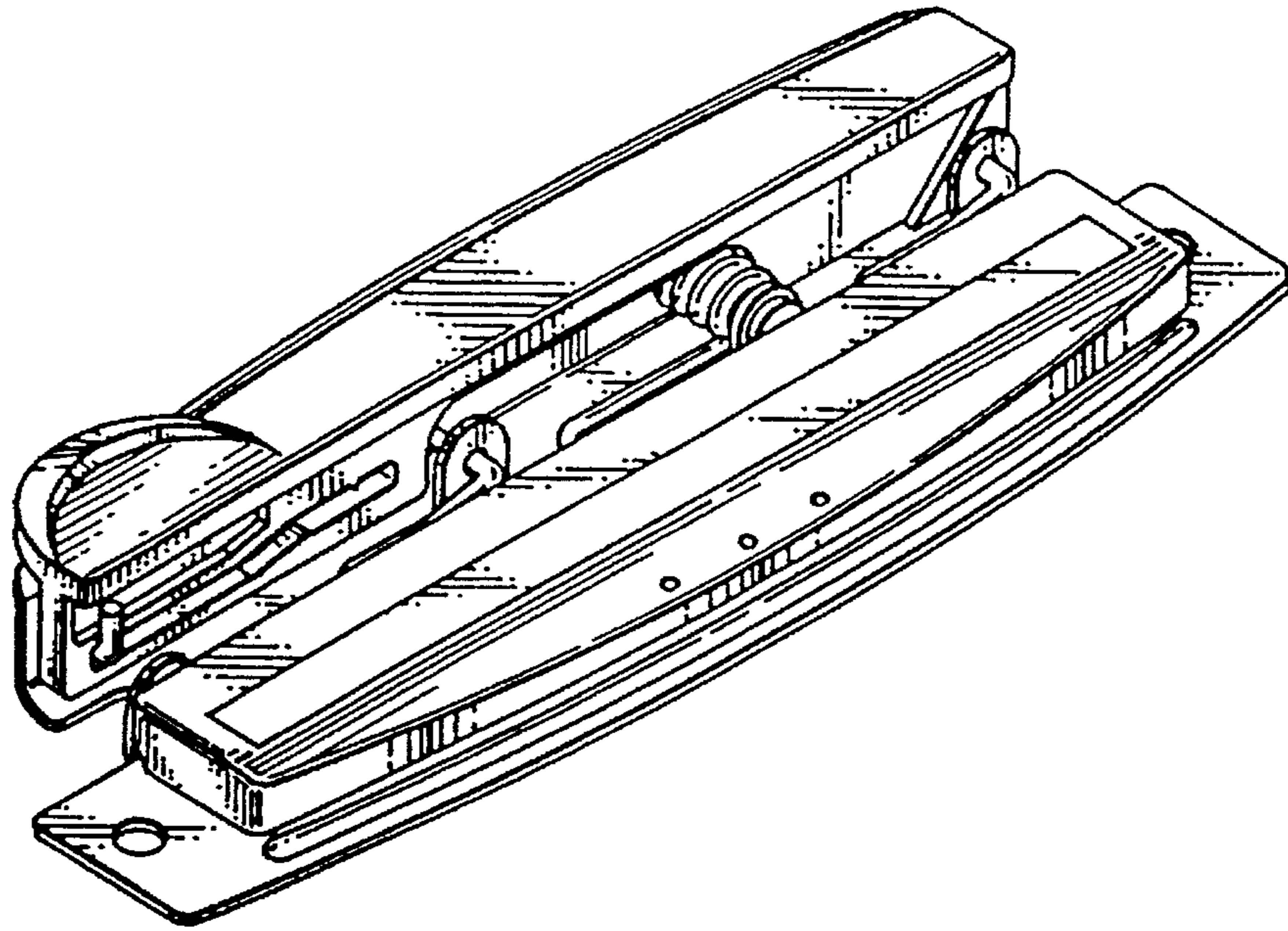
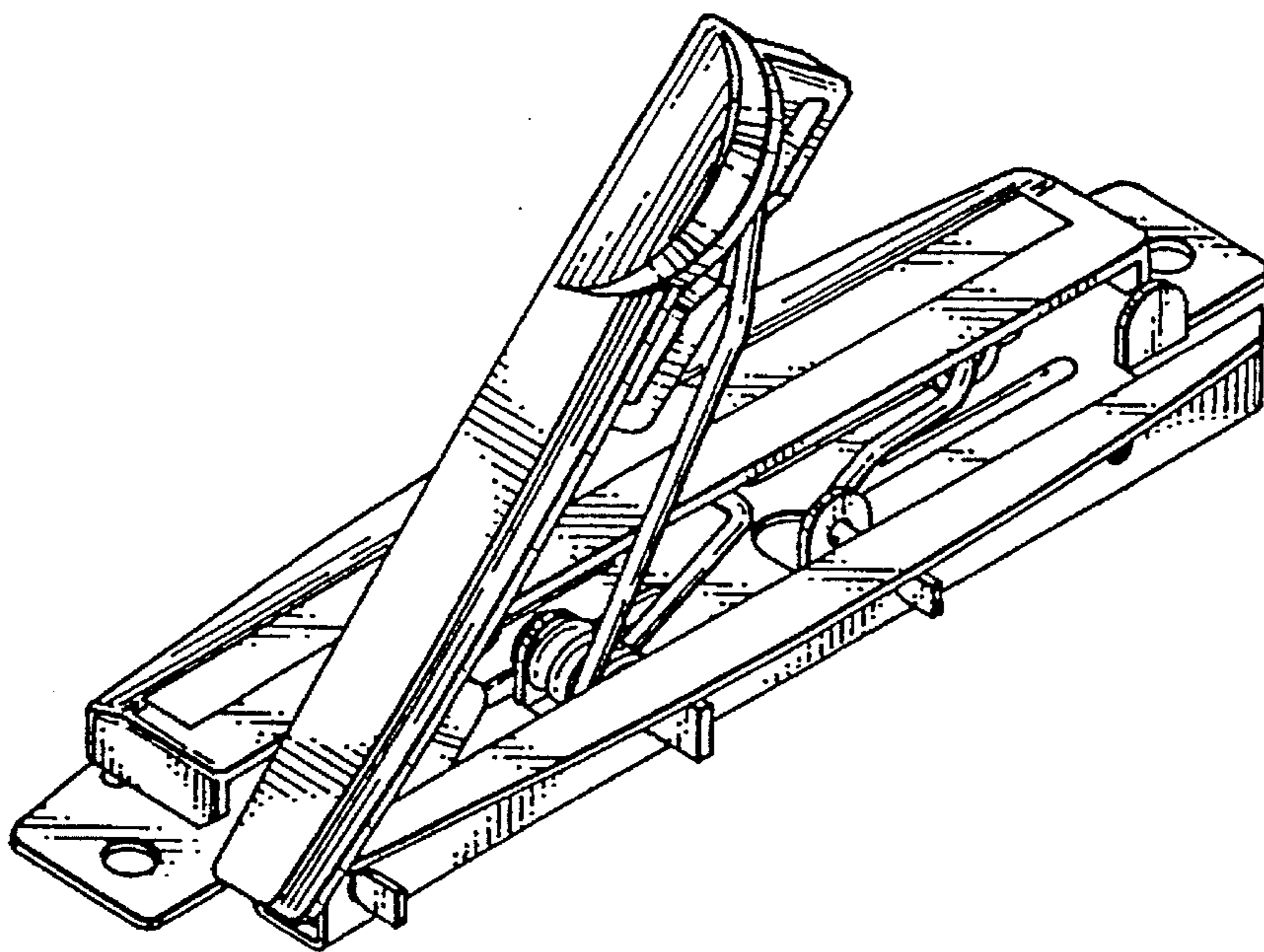


FIG. 2



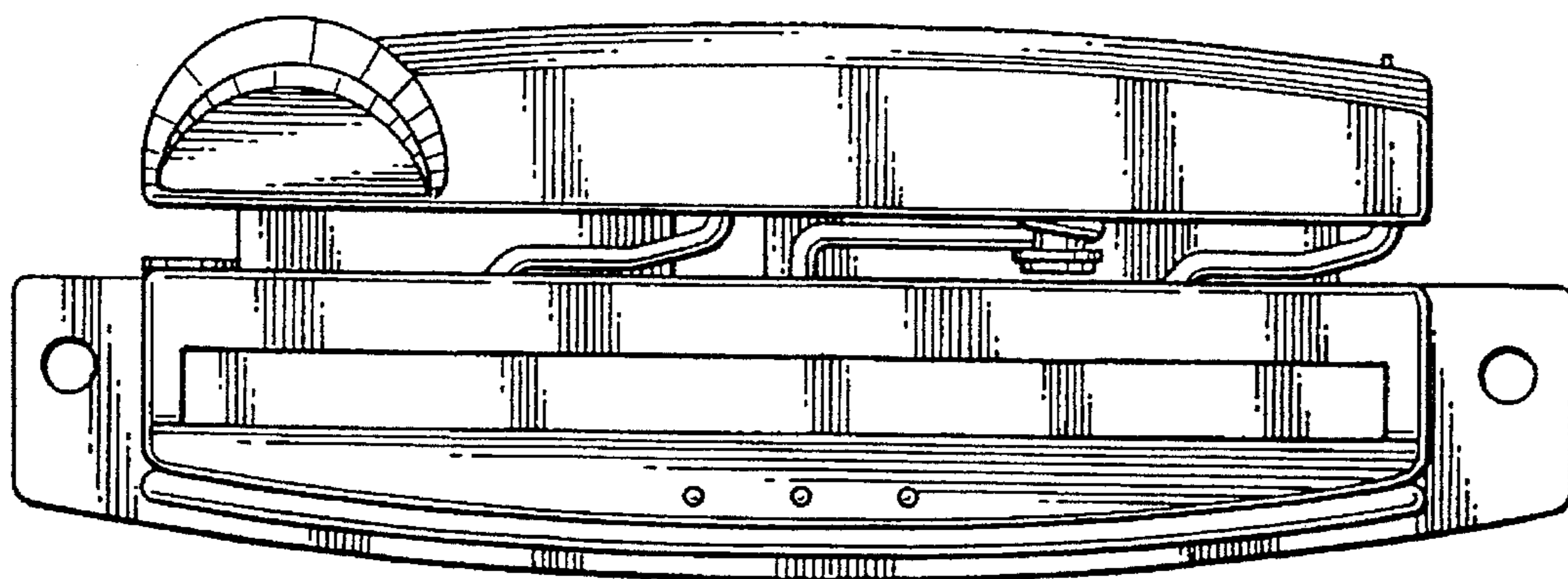


FIG. 3

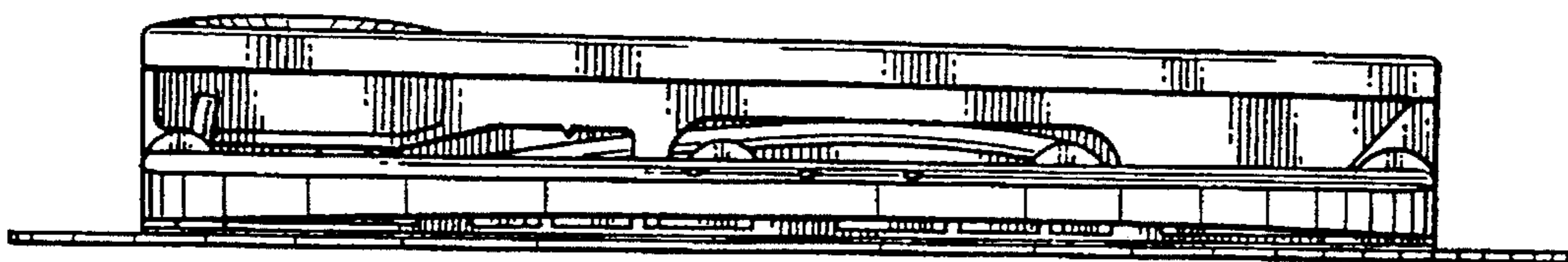


FIG. 4

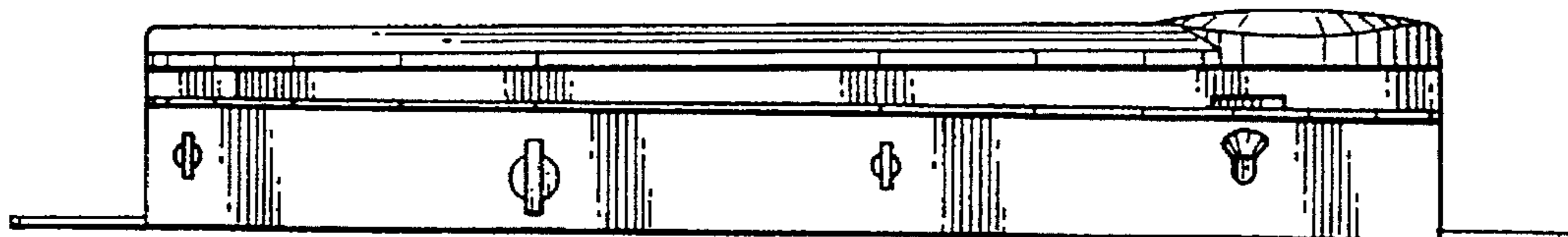


FIG. 5

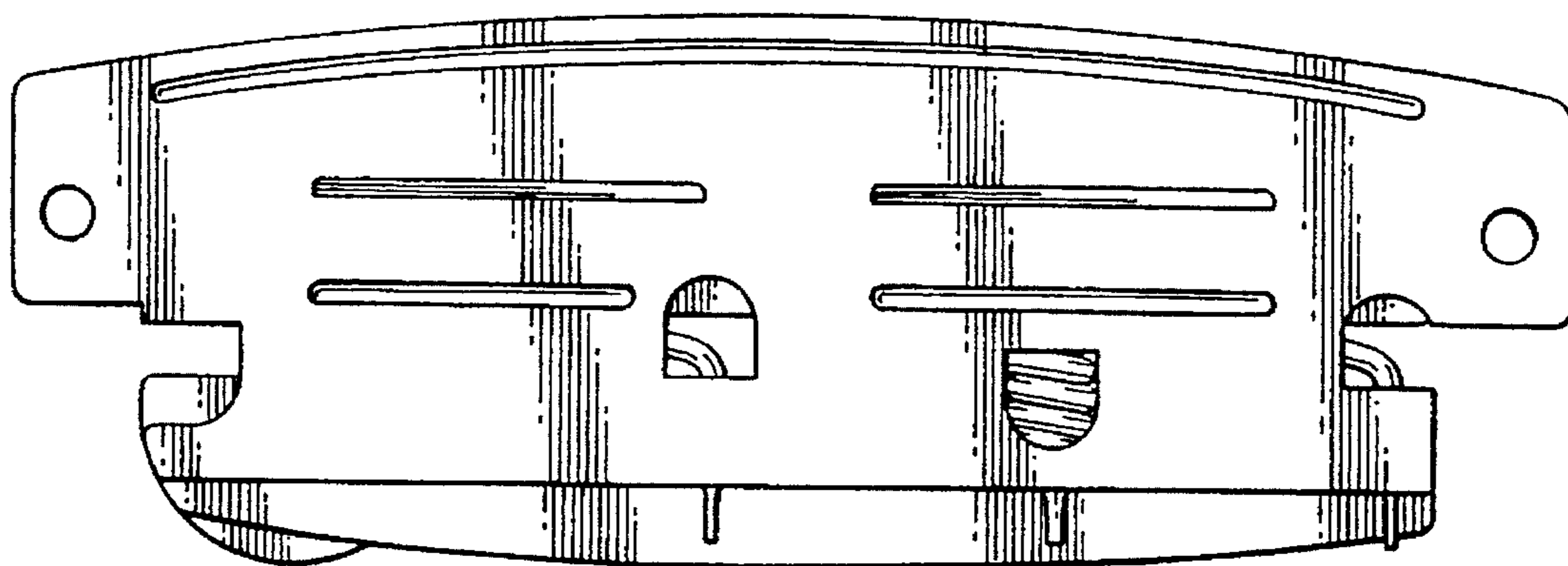


FIG. 6

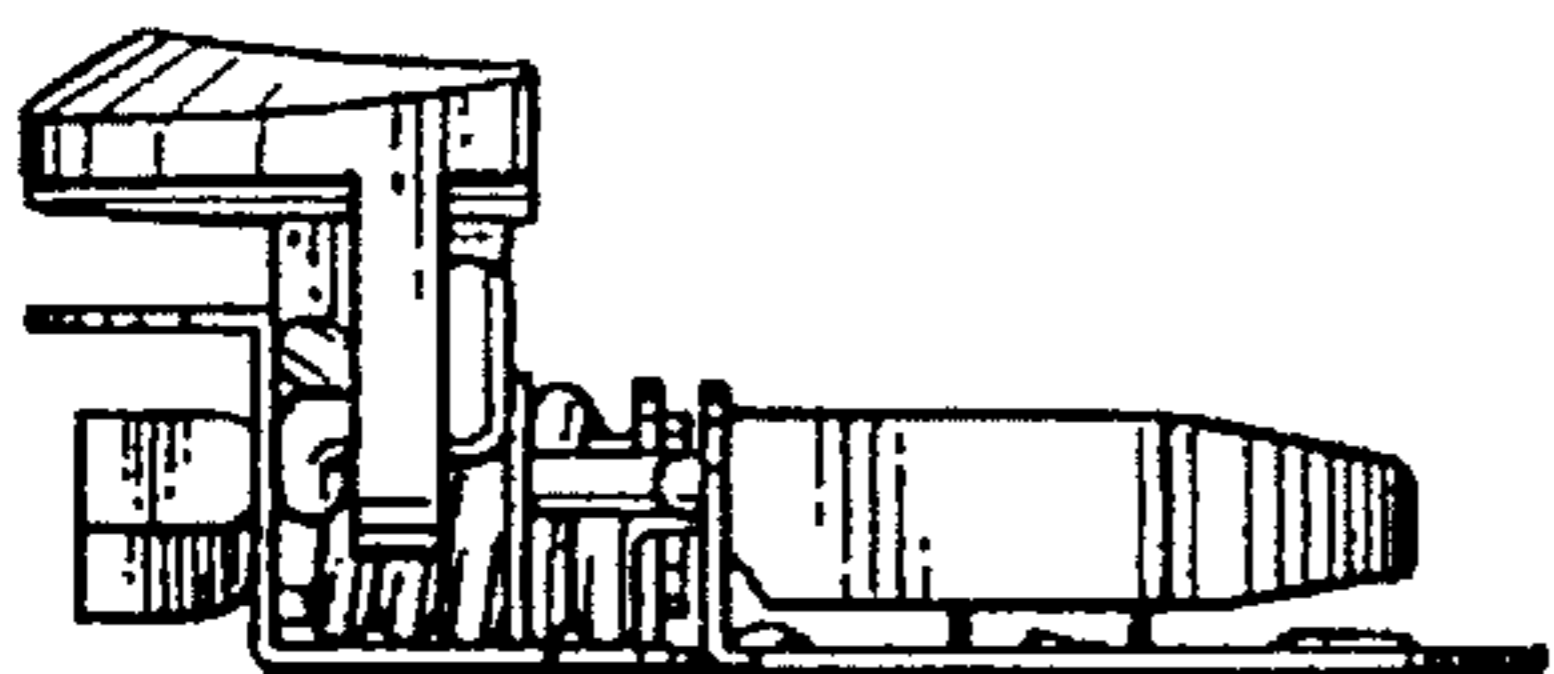


FIG. 7

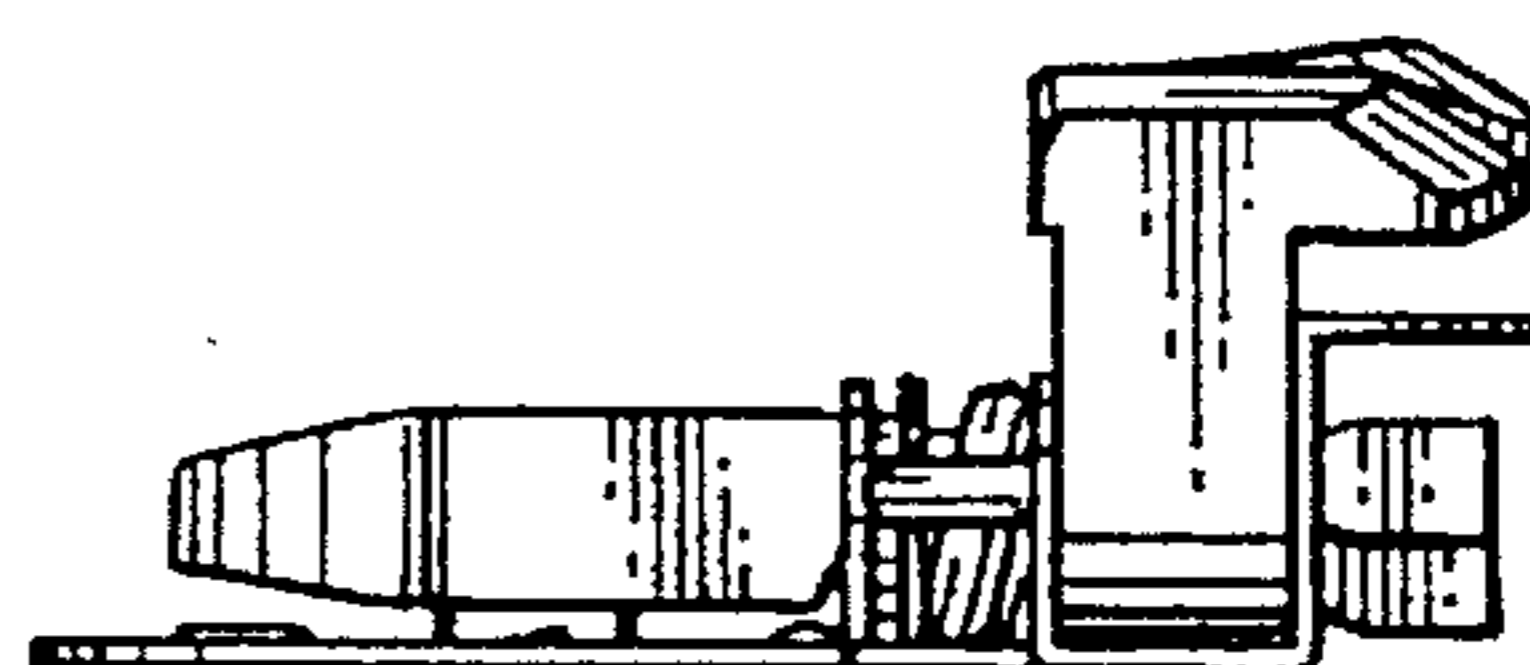


FIG. 8

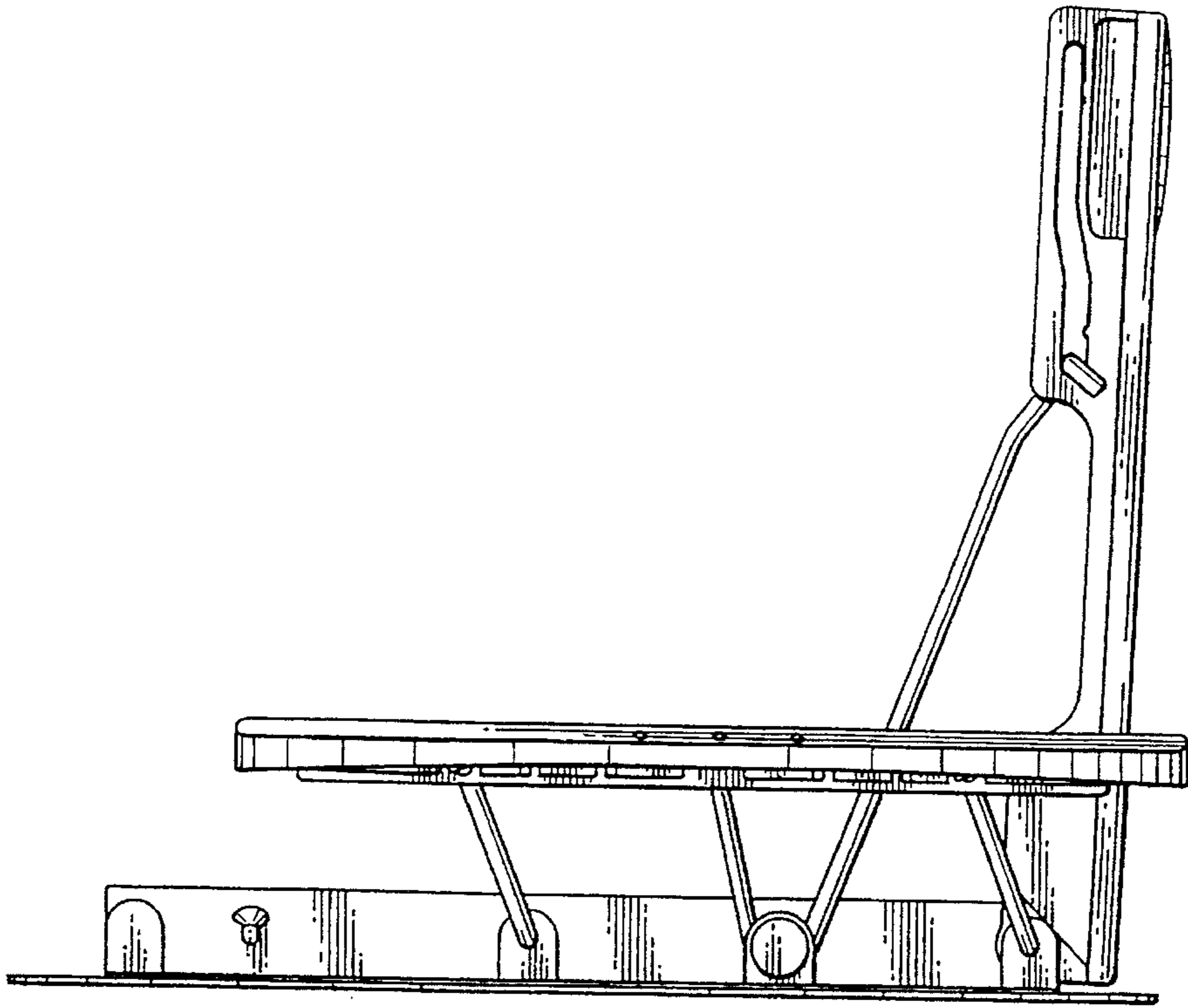


FIG. 9

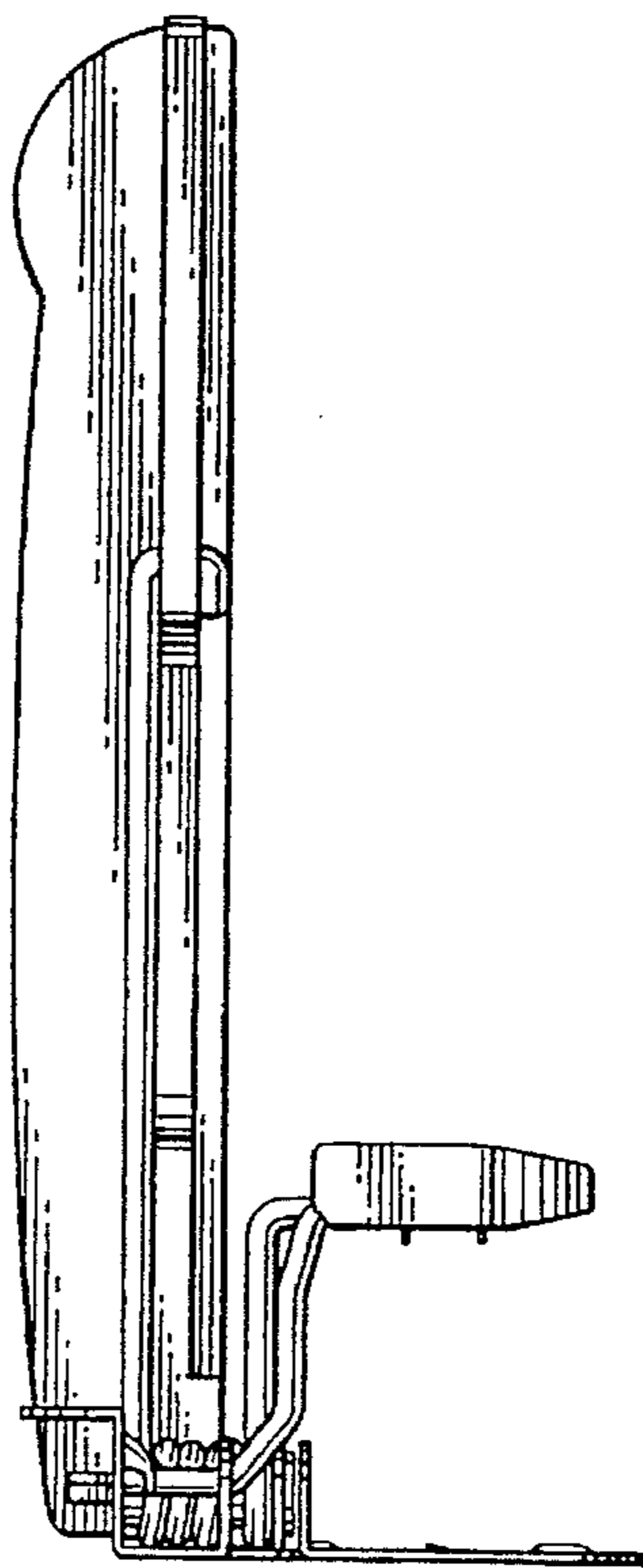


FIG. 10