



US00D376812S

United States Patent [19]

[11] **Patent Number: Des. 376,812**

Chiba

[45] **Date of Patent: **Dec. 24, 1996**

[54] **ELECTRONIC TYPEWRITER HAVING A FULL-SIZE DISPLAY SCREEN**

[75] Inventor: **Toshimi Chiba**, Irvine, Calif.

[73] Assignee: **Canon Business Machines, Inc.**, Costa Mesa, Calif.

[*] Notice: The portion of the term of this patent subsequent to Oct. 29, 2010, has been disclaimed.

[**] Term: **14 Years**

[21] Appl. No.: **43,606**

[22] Filed: **Sep. 7, 1995**

[52] **U.S. Cl.** **D18/1; D14/100; D14/106**

[58] **Field of Search** **D18/1, 2, 7; D14/100, D14/106, 113, 115; 312/208; 400/109-111, 472, 485, 486, 691, 694, 696**

[56] **References Cited**

U.S. PATENT DOCUMENTS

D. 289,177	4/1987	Sawada	D18/7
D. 307,892	5/1990	Horie	D14/106
D. 312,626	12/1990	Lam	D14/106
D. 328,065	7/1992	Nezu	D14/106
D. 331,253	11/1992	Hirose	D18/1
D. 341,355	11/1993	Imamura et al.	D14/106
D. 353,583	12/1994	Kaneko	D14/106
D. 356,104	3/1995	Matsumoto	D18/1

Primary Examiner—James M. Gandy
Assistant Examiner—Caron D. Veynar
Attorney, Agent, or Firm—Fitzpatrick, Cella, Harper & Scinto

[57] **CLAIM**

The ornamental design for an electronic typewriter having a full-size display screen, as shown and described.

DESCRIPTION

FIG. 1 is a perspective view of my new electronic typewriter having a full-size display screen;

FIG. 2 is a left-hand side view of the electronic typewriter having a full-size display screen;

FIG. 3 is a right-hand side view of the electronic typewriter having a full-size display screen;

FIG. 4 is a front view of the electronic typewriter having a full-size display screen;

FIG. 5 is a back view of the electronic typewriter having a full-size display screen;

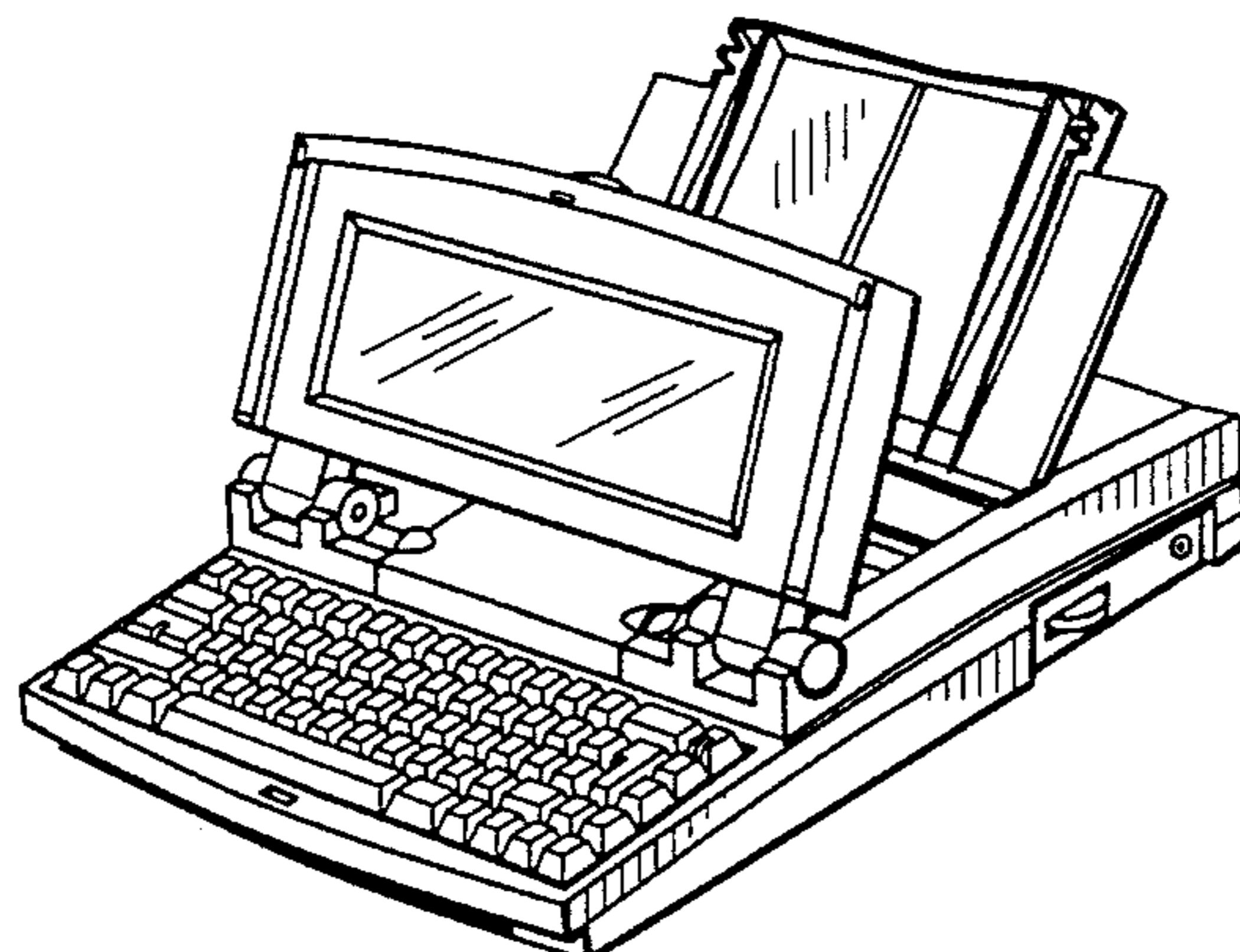
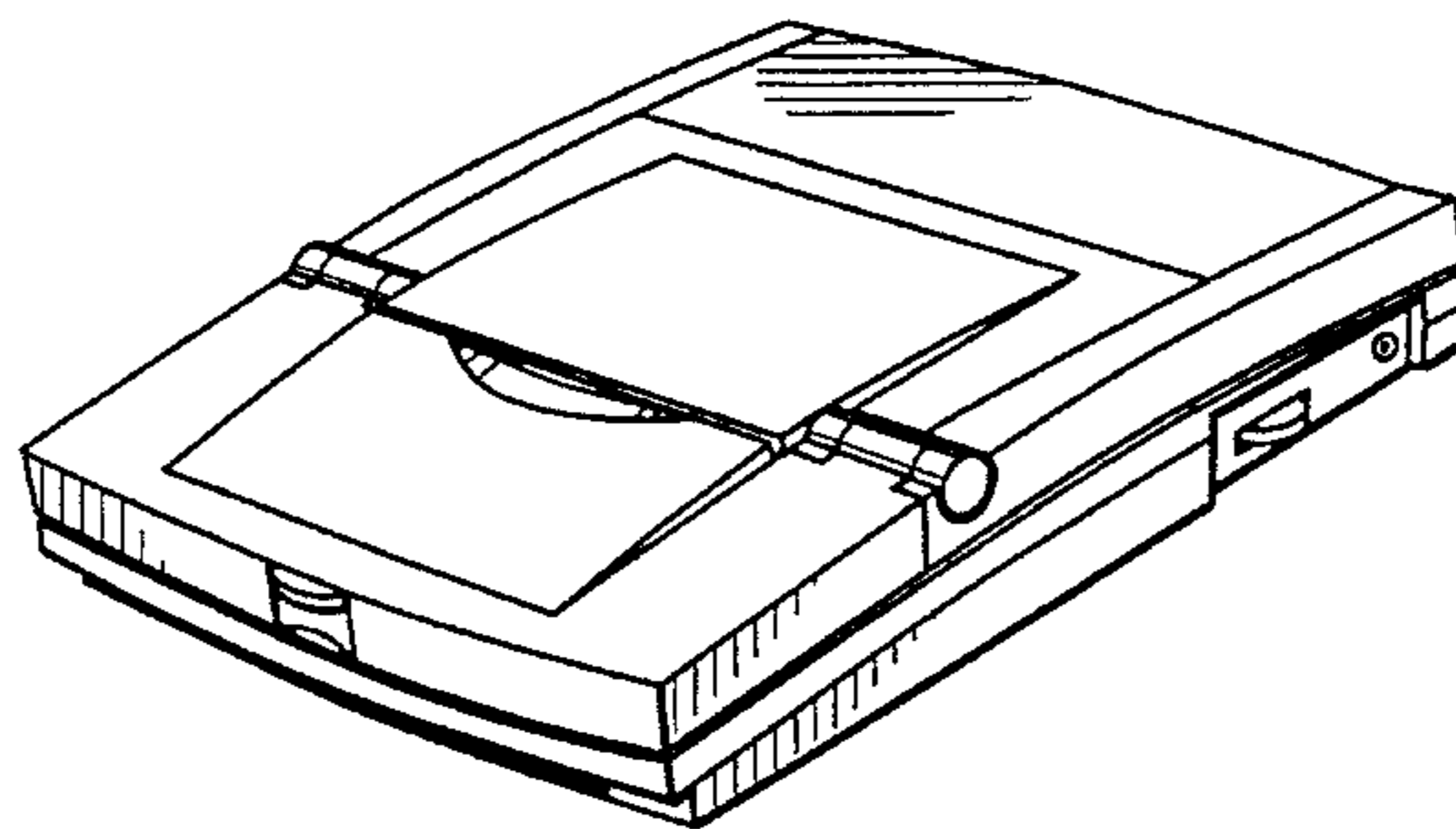
FIG. 6 is a top view, looking down at the electronic typewriter having a full-size display screen;

FIG. 7 is a bottom view, looking up at the electronic typewriter having a full-size display screen;

FIG. 8 is a front perspective view of the electronic typewriter having a full-size display screen, with its display screen in an adjusted position for viewing and its paper support in an upright position; and,

FIG. 9 is a back perspective view of the electronic typewriter having a full-size display screen, with its display screen in an adjusted position for viewing and its paper support in an upright position.

1 Claim, 3 Drawing Sheets



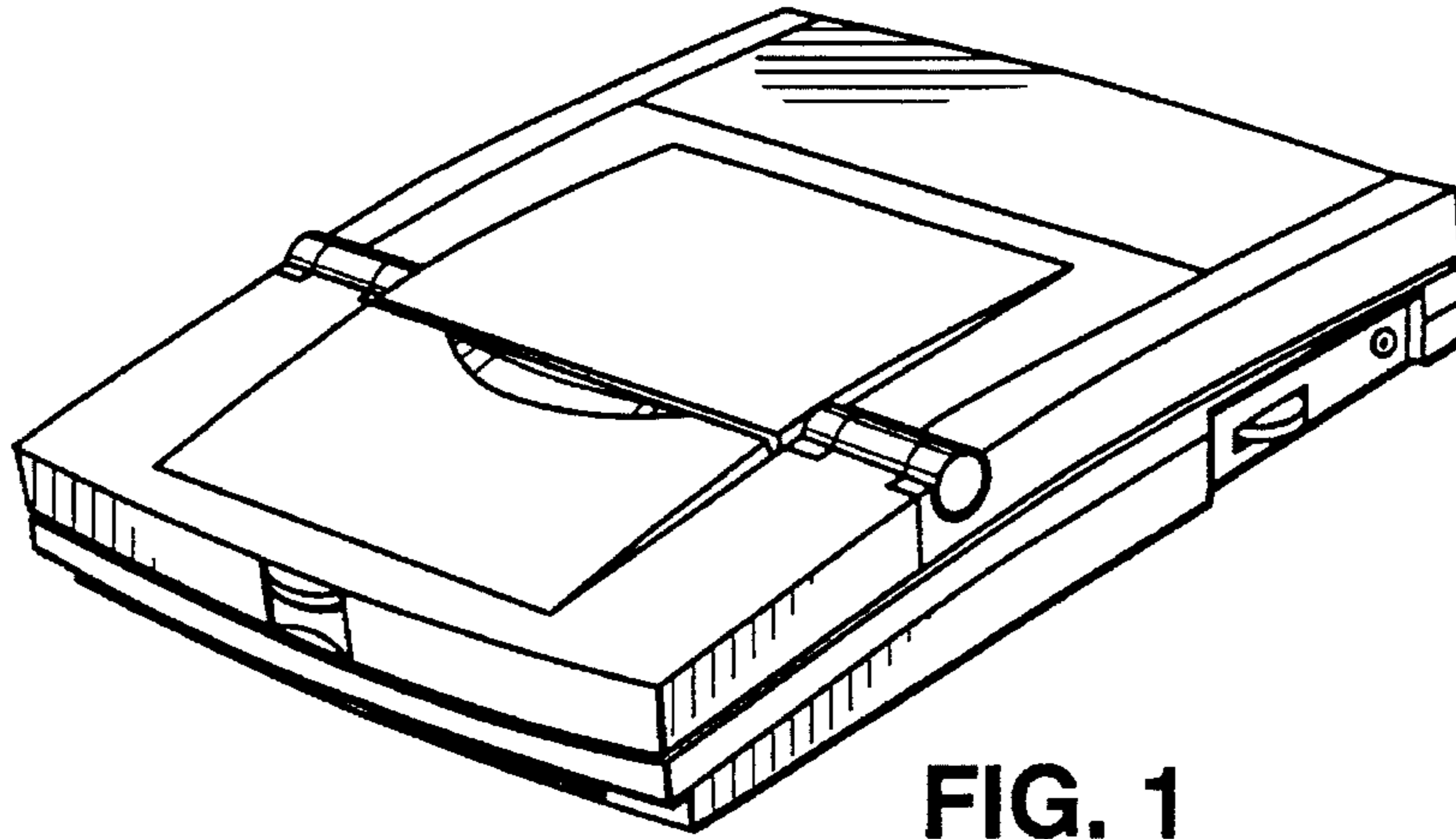


FIG. 1

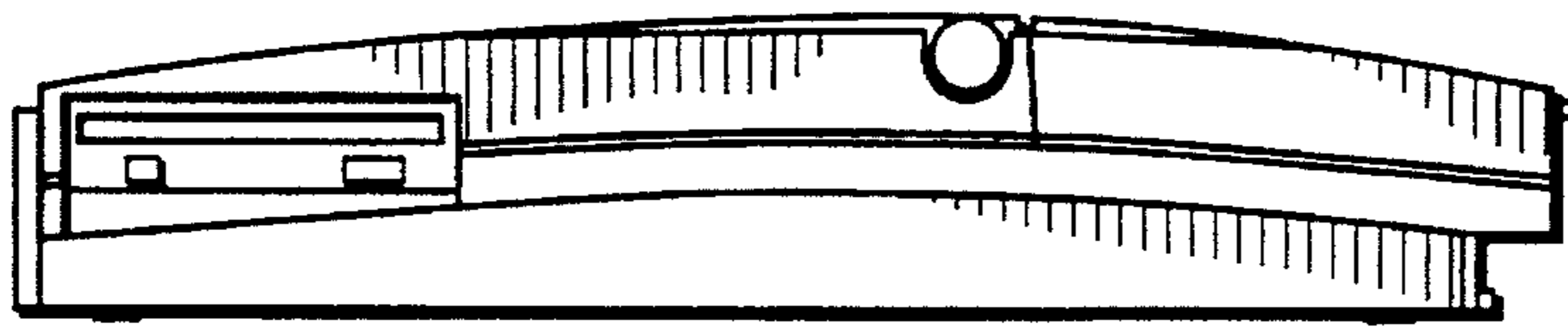


FIG. 2

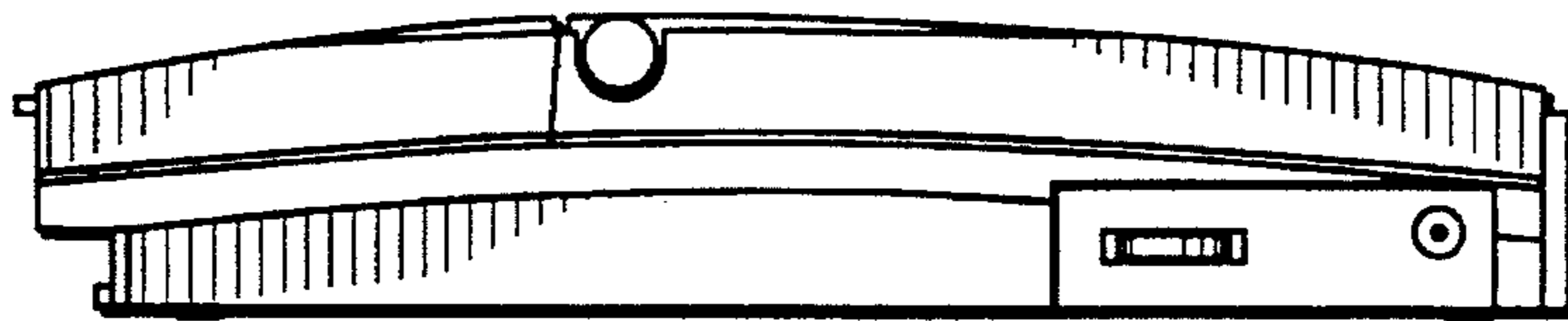


FIG. 3

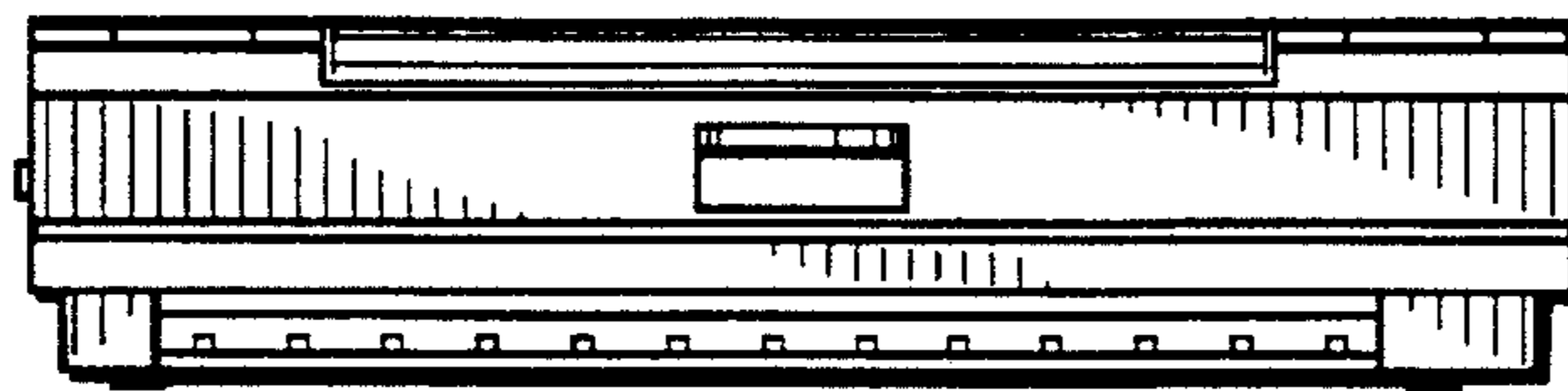


FIG. 4



FIG. 5

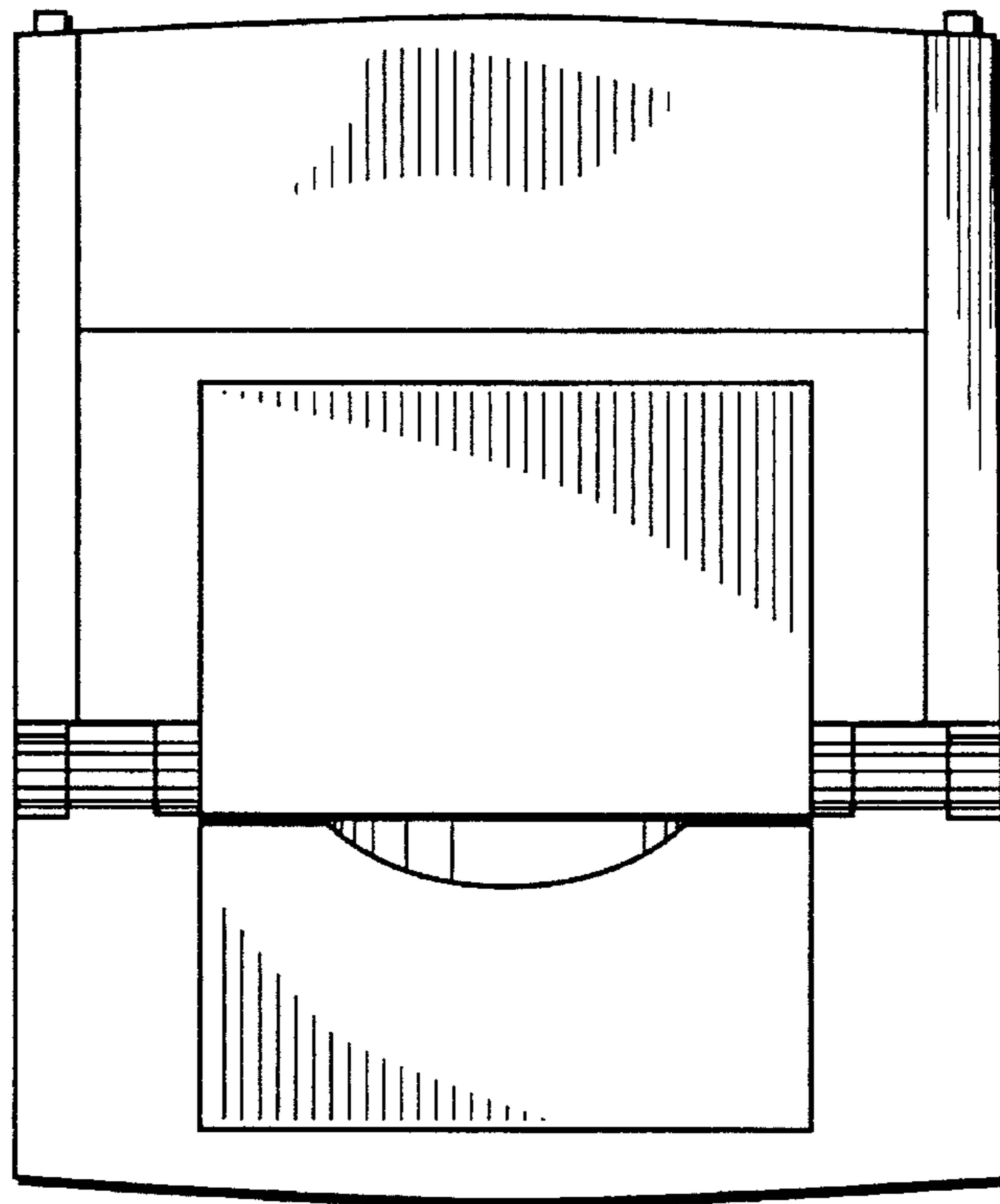


FIG. 6

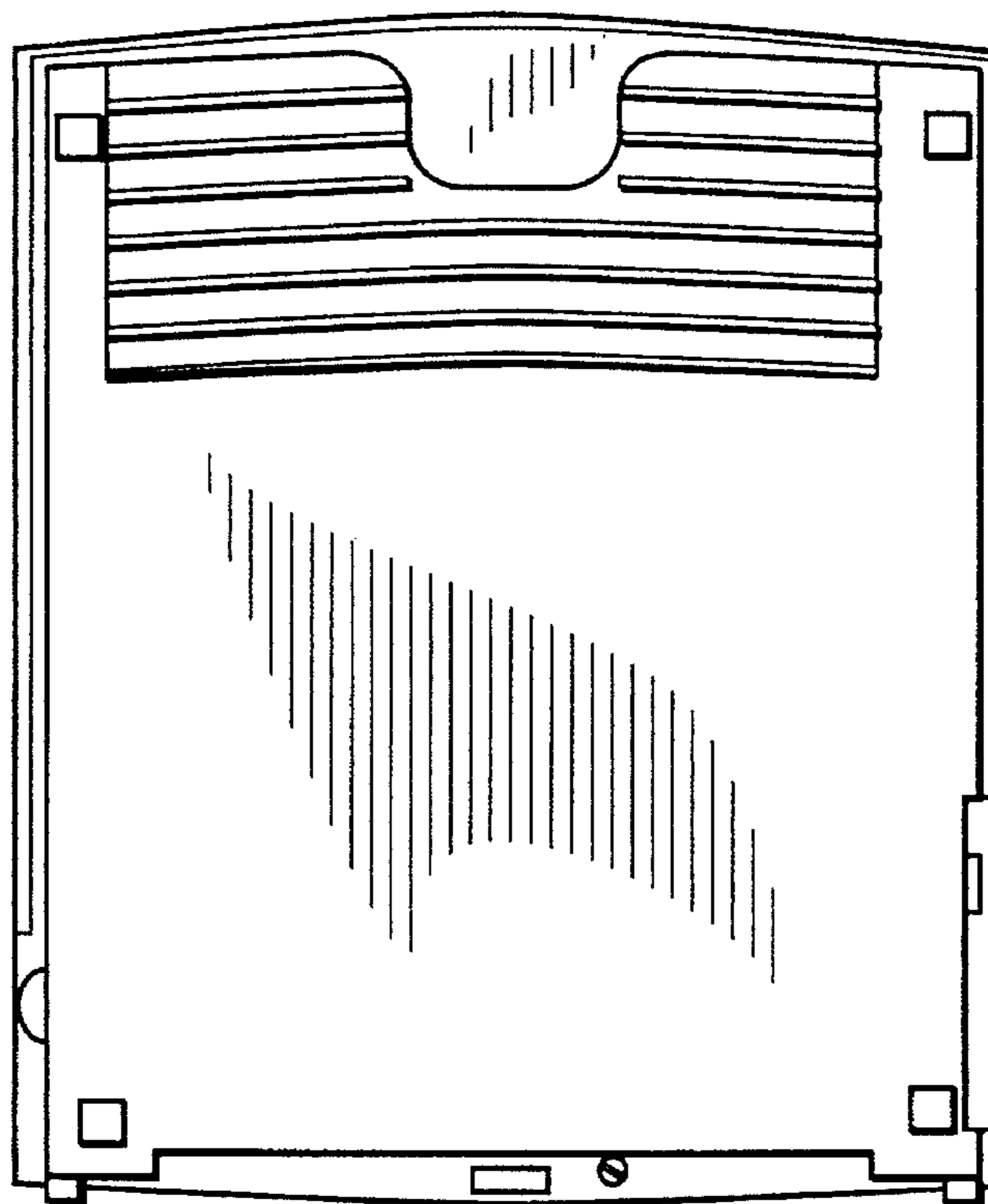


FIG. 7

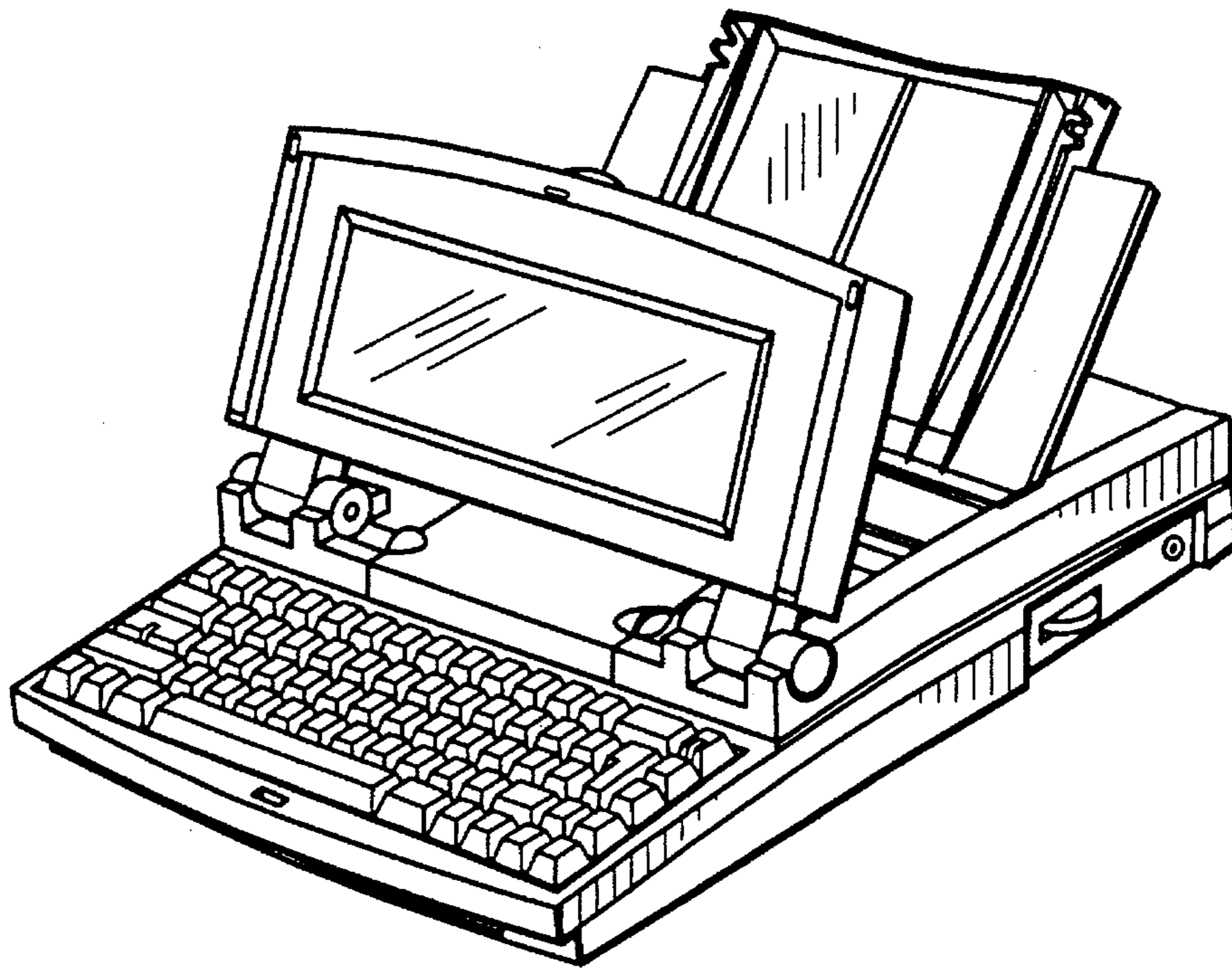


FIG. 8

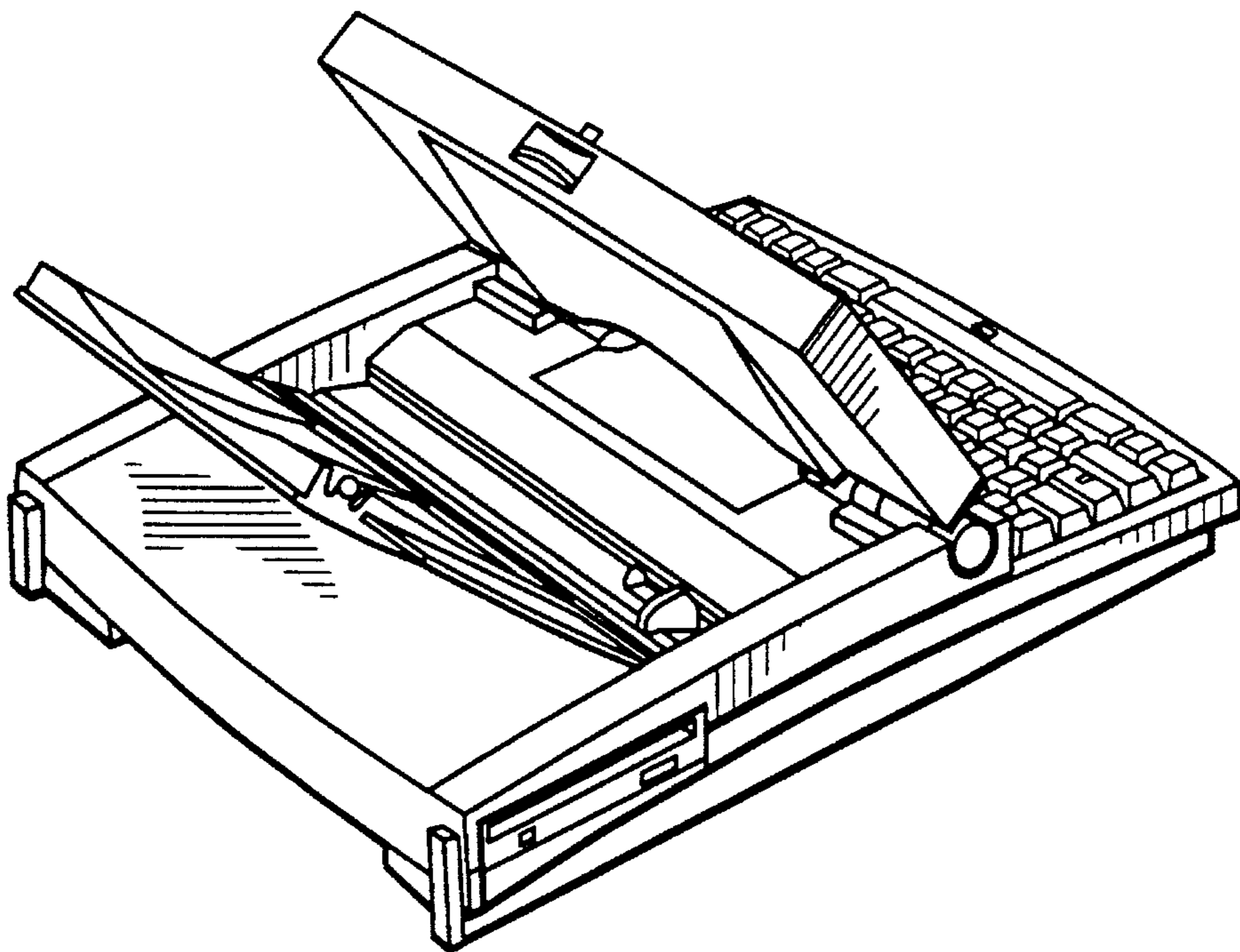


FIG. 9