



US00D376810S

# United States Patent [19]

Ohie

[11] Patent Number: **Des. 376,810**

[45] Date of Patent: **\*\*Dec. 24, 1996**

[54] **FRAMES OF SUNGLASSES**

D. 371,383 7/1996 Goldman ..... D16/327  
4,806,008 2/1989 Tarloff ..... 351/52

[75] Inventor: **Yuzuru Ohie**, Higashiosaka, Japan

### OTHER PUBLICATIONS

[73] Assignee: **OGK Hanbai Co. Ltd.**, Osaka, Japan

Vogue, Dec. 1993, p. 37 Glasse on left side off page.

[\*\*] Term: **14 Years**

*Primary Examiner*—Raphael Barkai  
*Attorney, Agent, or Firm*—Beveridge, DeGrandi, Weilacher & Young, L.L.P.

[21] Appl. No.: **49,228**

### [57] CLAIM

[22] Filed: **Jan. 22, 1996**

[52] U.S. Cl. .... **D16/326**; D16/335; D16/323

The ornamental design of frames of sunglasses, as shown and described.

[58] Field of Search ..... D16/101, 300,  
D16/306, 309, 315-317, 319-321, 323-330,  
335-336, 338, 341; 351/41, 44, 51, 52,  
111, 122, 123, 158

### DESCRIPTION

### [56] References Cited

#### U.S. PATENT DOCUMENTS

D. 175,555	9/1955	Kono	.....	D16/323
D. 205,093	6/1966	Gaboriault	.....	D16/326
D. 206,353	11/1966	Bloch	.....	D16/326
D. 218,953	10/1970	Maiese	.....	D16/326
D. 347,014	5/1994	Arnette	.....	D16/326
D. 363,504	10/1995	Arnette	.....	D16/326
D. 366,666	1/1996	Arnette	.....	D16/325
D. 369,375	4/1996	Jannard et al.	.....	D16/326

FIG. 1 is a top plan view of frames of sunglasses;  
FIG. 2 is a front elevational view thereof;  
FIG. 3 is a bottom plan view thereof;  
FIG. 4 is a rear elevational view thereof;  
FIG. 5 is a right side elevational view thereof, the side opposite being a mirror image;  
FIG. 6 is a sectional view taken in the direction of the arrows on line 6—6 of FIG. 2;  
FIG. 7 is a sectional view taken on line 7—7 of FIG. 2;  
FIG. 8 is a sectional view taken on line 8—8 of FIG. 1; and,  
FIG. 9 is a sectional view taken on line 9—9 of FIG. 1.

**1 Claim, 3 Drawing Sheets**

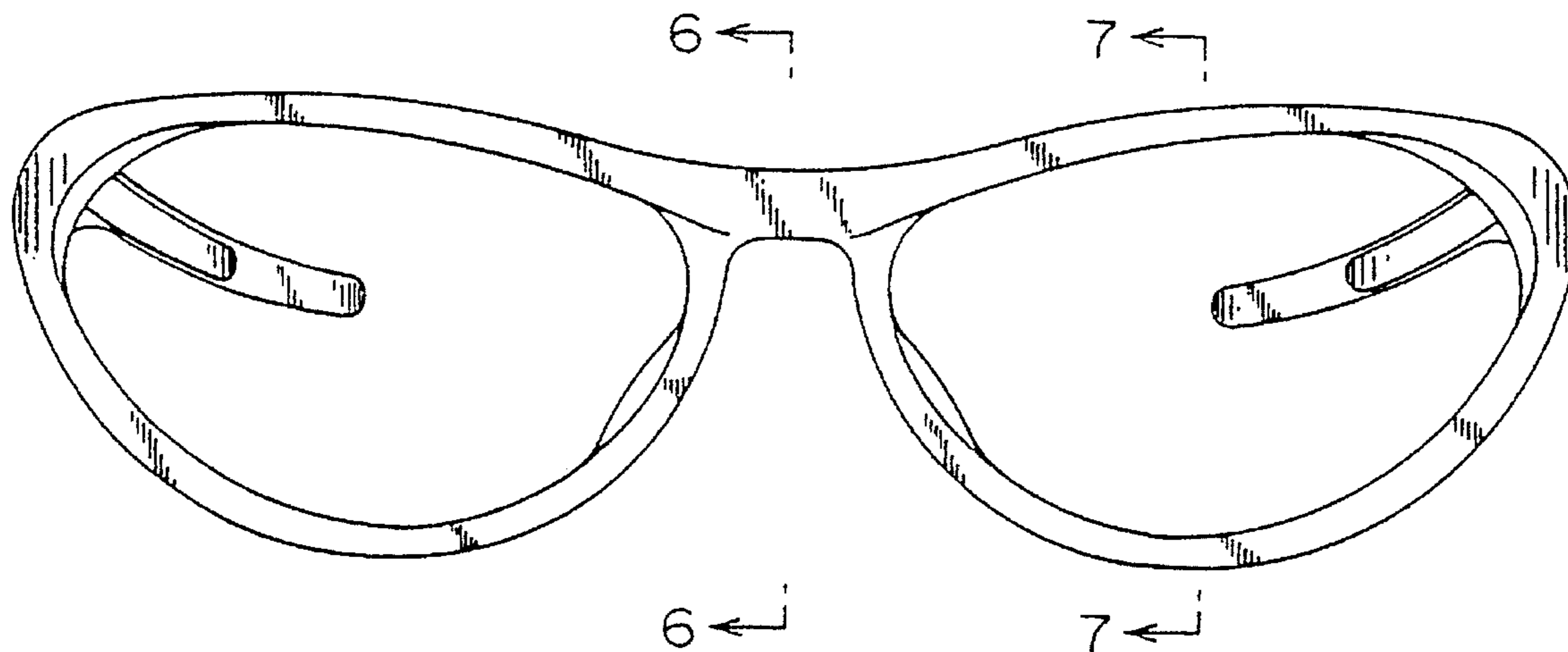


FIG. 1

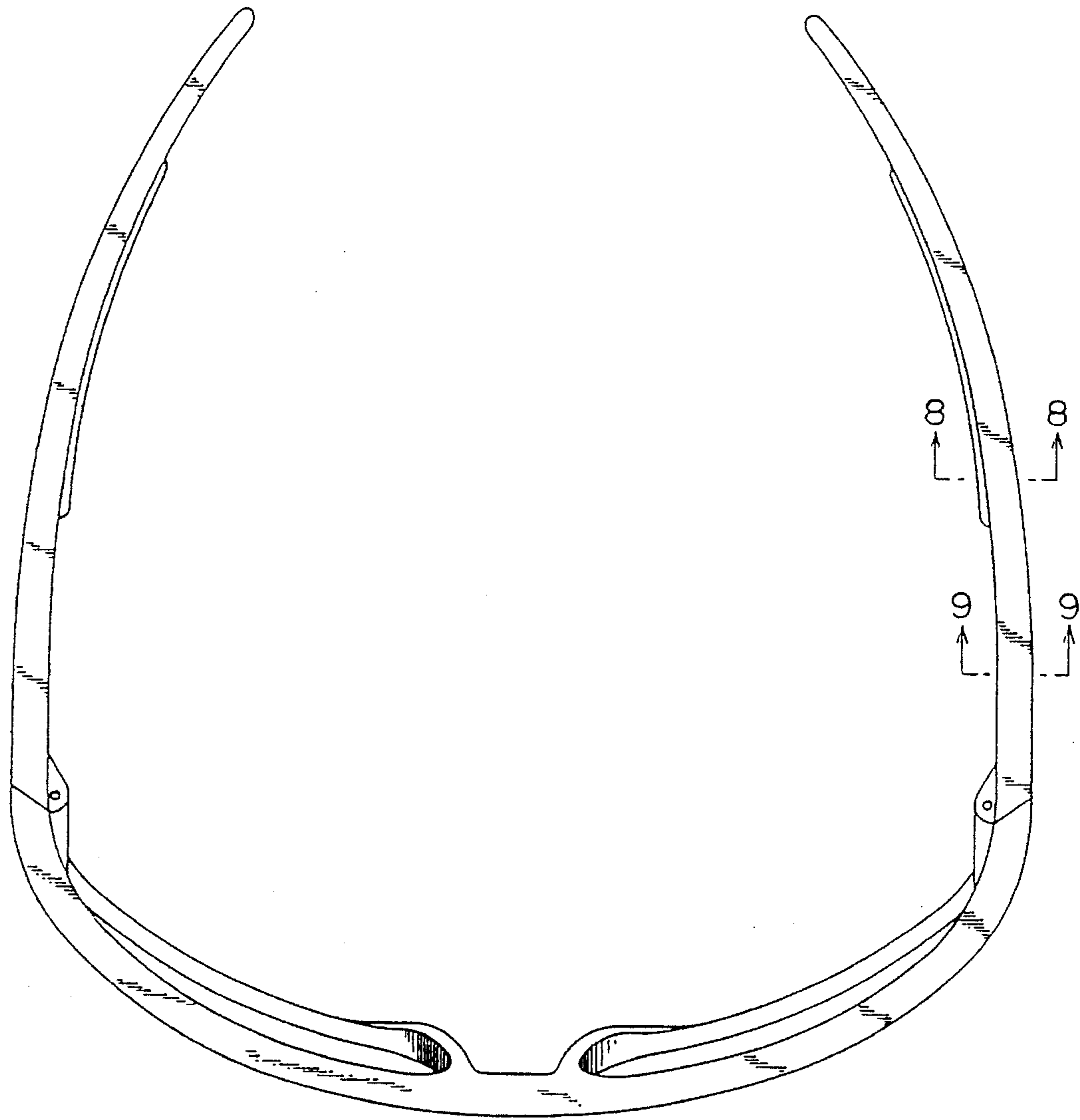


FIG. 2

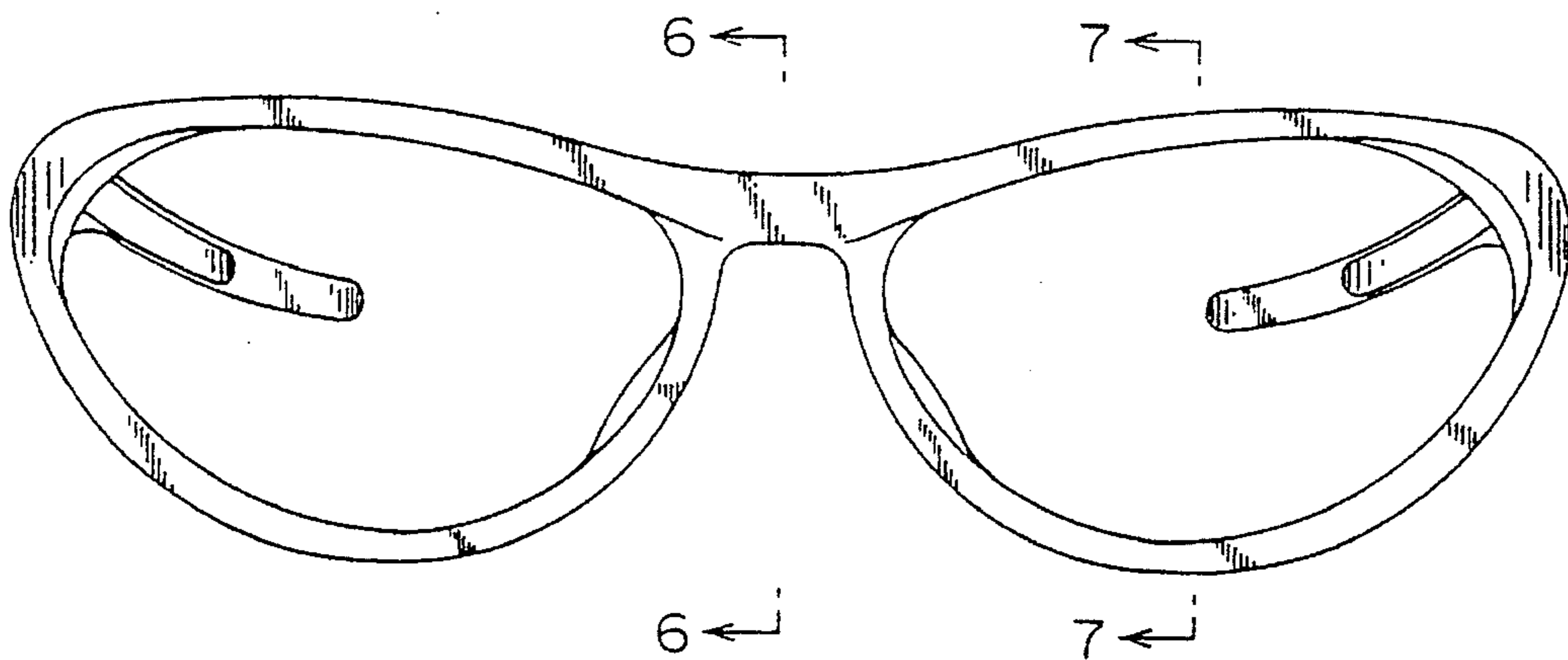


FIG. 3

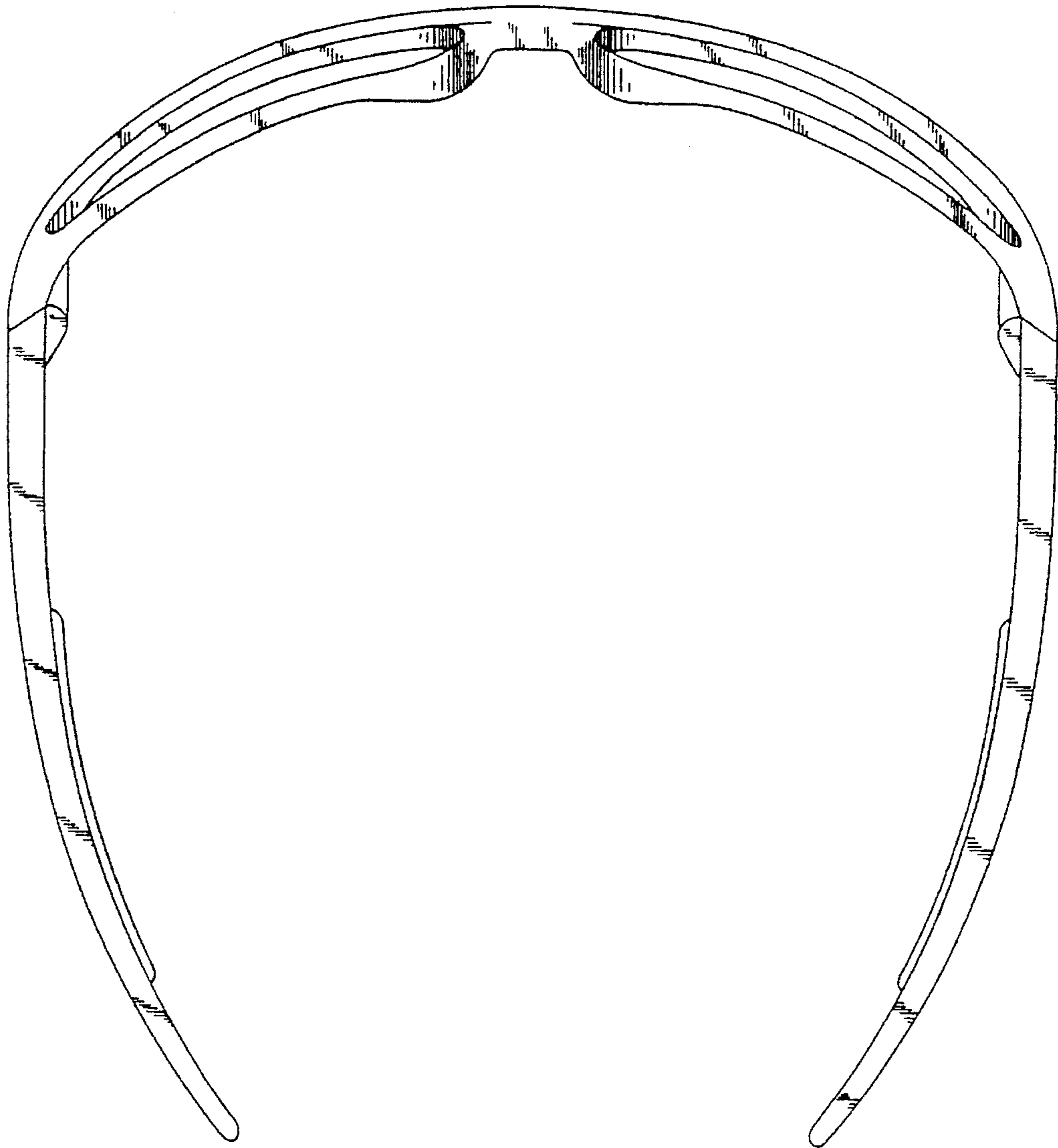


FIG. 4

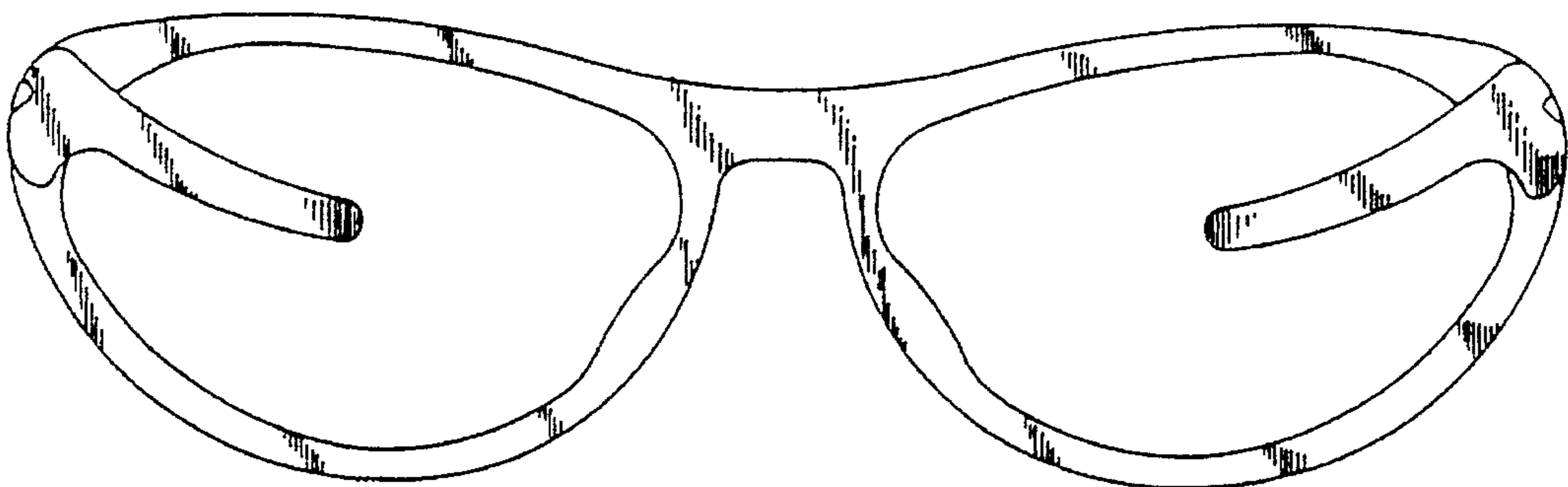


FIG. 5

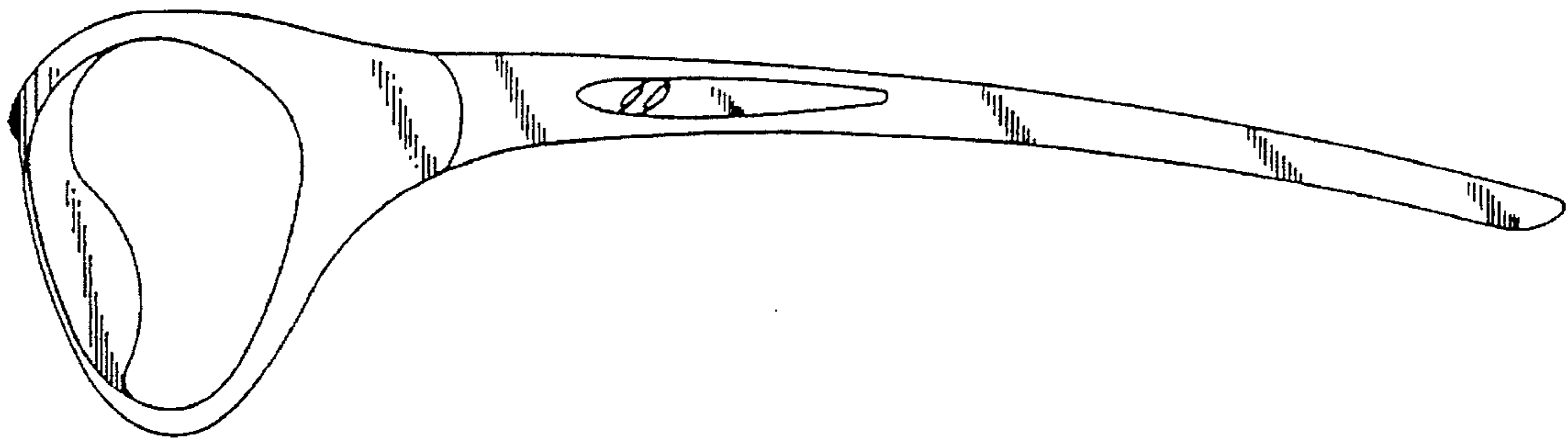


FIG. 6

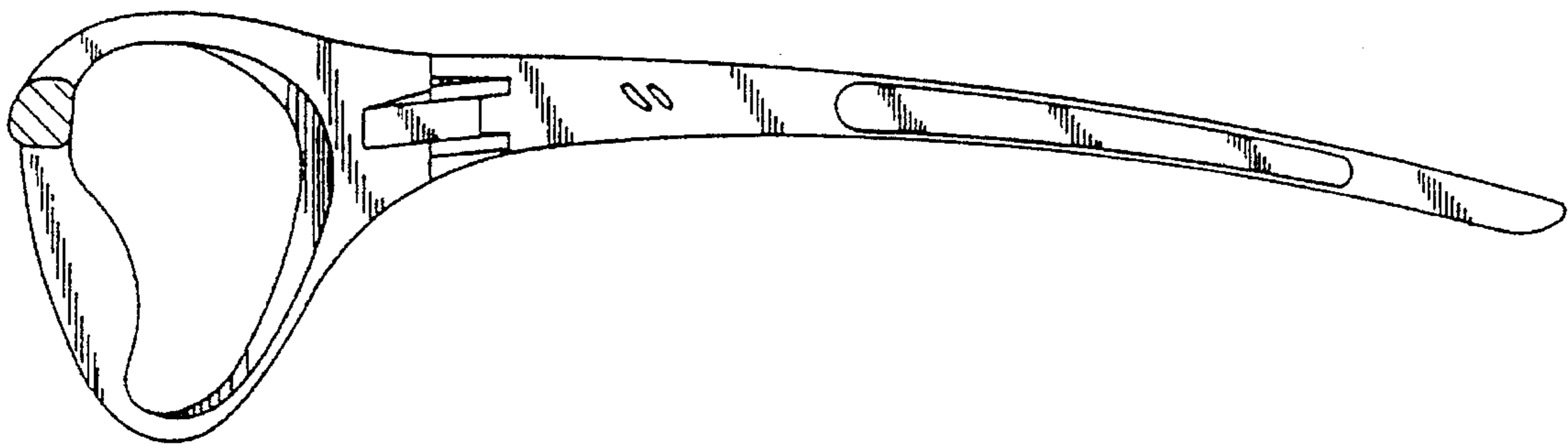


FIG. 7



FIG. 8



FIG. 9

