



US00D376808S

United States Patent [19]

Mihic

[11] Patent Number: **Des. 376,808**

[45] Date of Patent: ****Dec. 24, 1996**

[54] **MILLING HEAD**

4,993,890 2/1991 Tukala et al. 407/34
5,135,337 8/1992 Adamson 407/119

[75] Inventor: **Wlajko Mihic**, Gävle, Sweden

Primary Examiner—Antoine Duval Davis
Attorney, Agent, or Firm—Rolf Fasth

[73] Assignee: **Mircona Aktiebolag**, Gävle, Sweden

[**] Term: **14 Years**

[57] **CLAIM**

[21] Appl. No.: **44,220**

The ornamental design for a milling head, as shown.

[22] Filed: **Sep. 20, 1995**

DESCRIPTION

[30] **Foreign Application Priority Data**

FIG. 1 is a top plan view of the milling head of the present invention;

Mar. 22, 1995 [SE] Sweden 95-0597

FIG. 2 is a side view of the invention;

[52] **U.S. Cl.** **D15/139**

FIG. 3 is a bottom view of the invention;

[58] **Field of Search** D15/138, 139;
407/30-63; 409/201, 211; 72/104, 121

FIG. 4 is a side view of the invention seen from the side opposite the side shown in FIG. 2;

[56] **References Cited**

FIG. 5 is a perspective top view of the invention; and,

FIG. 6 is a perspective bottom view of the invention.

U.S. PATENT DOCUMENTS

D. 342,268 12/1993 Meyer D15/139

1 Claim, 3 Drawing Sheets

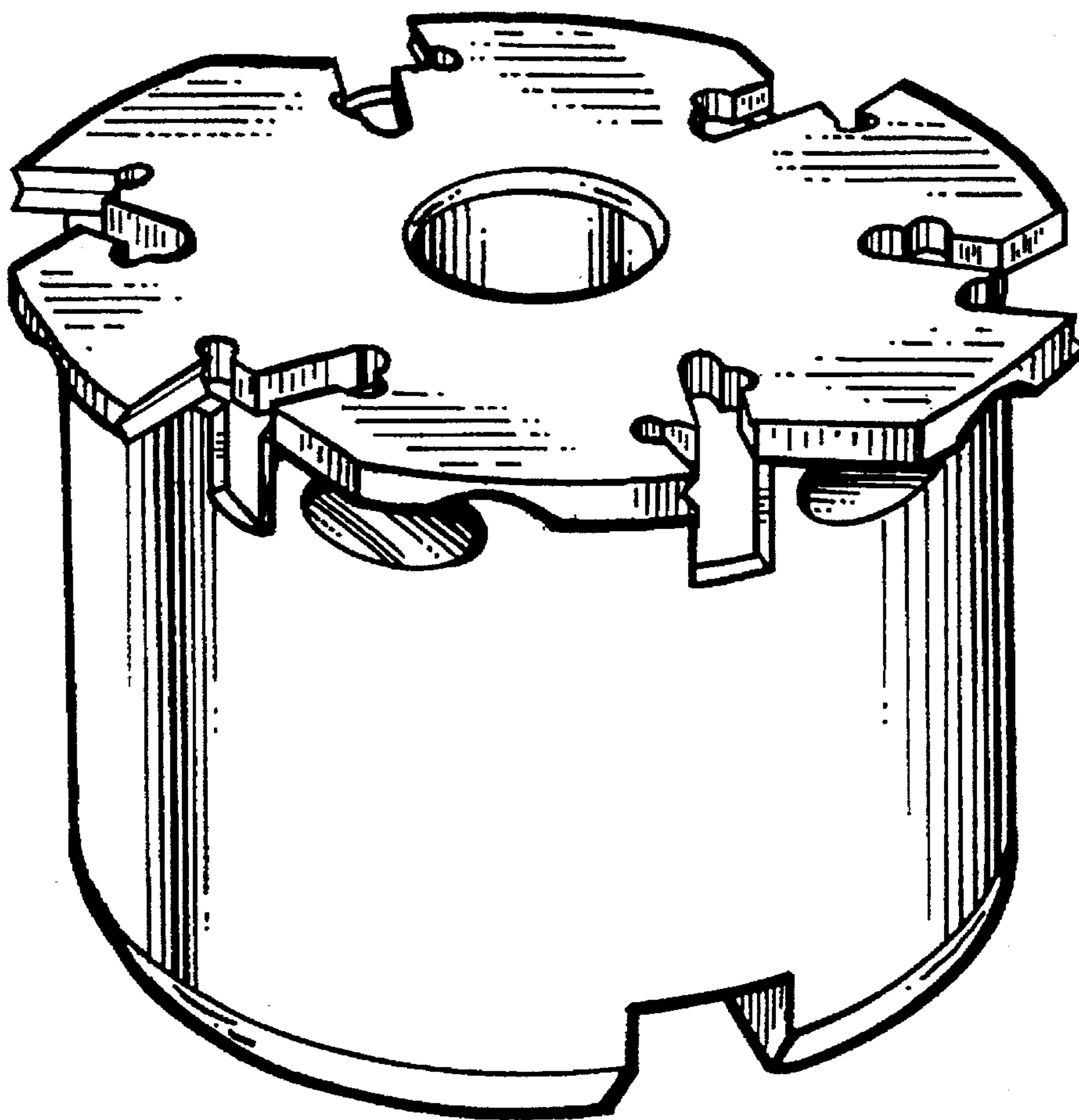


Fig. 1

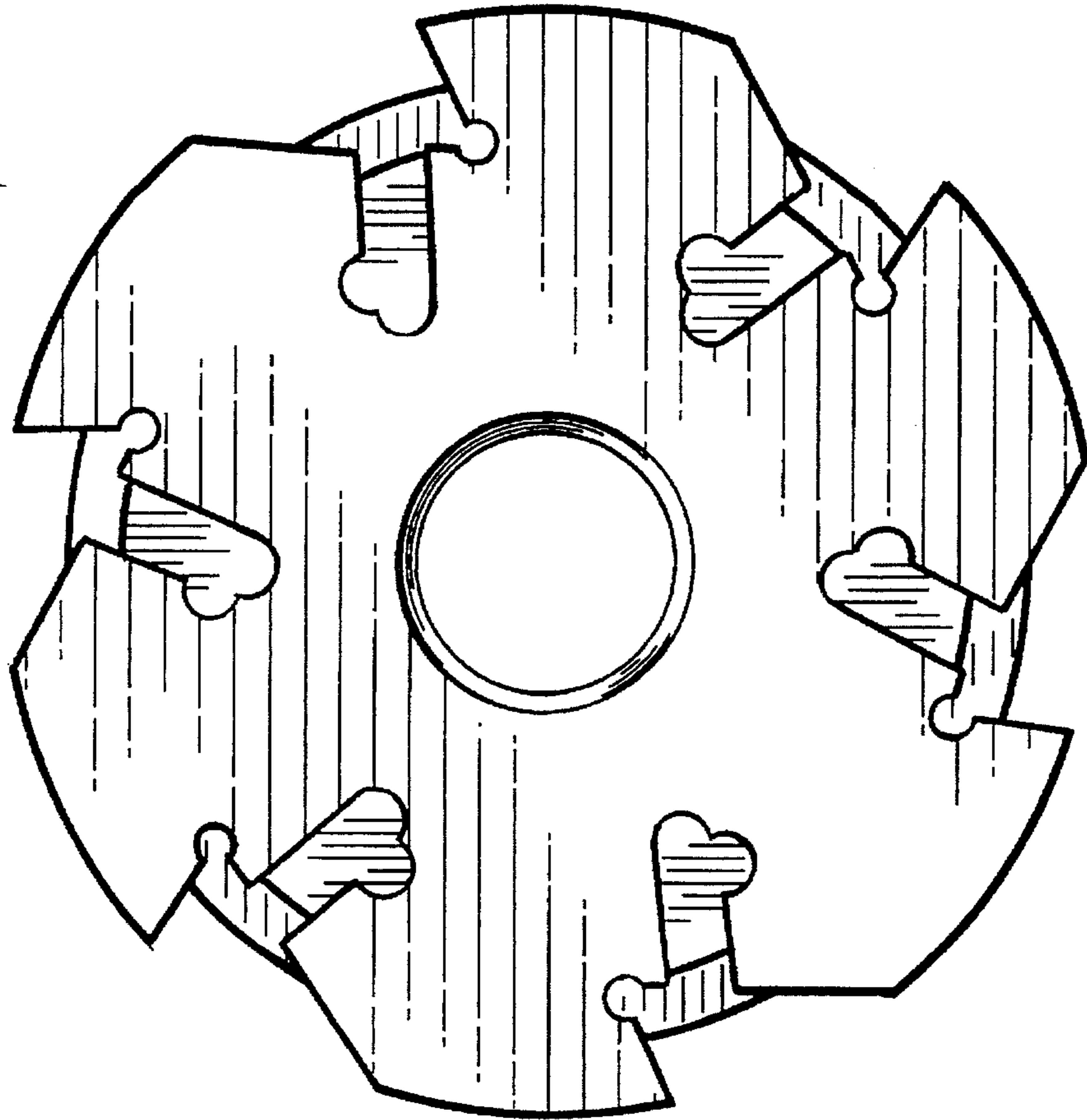


Fig. 2

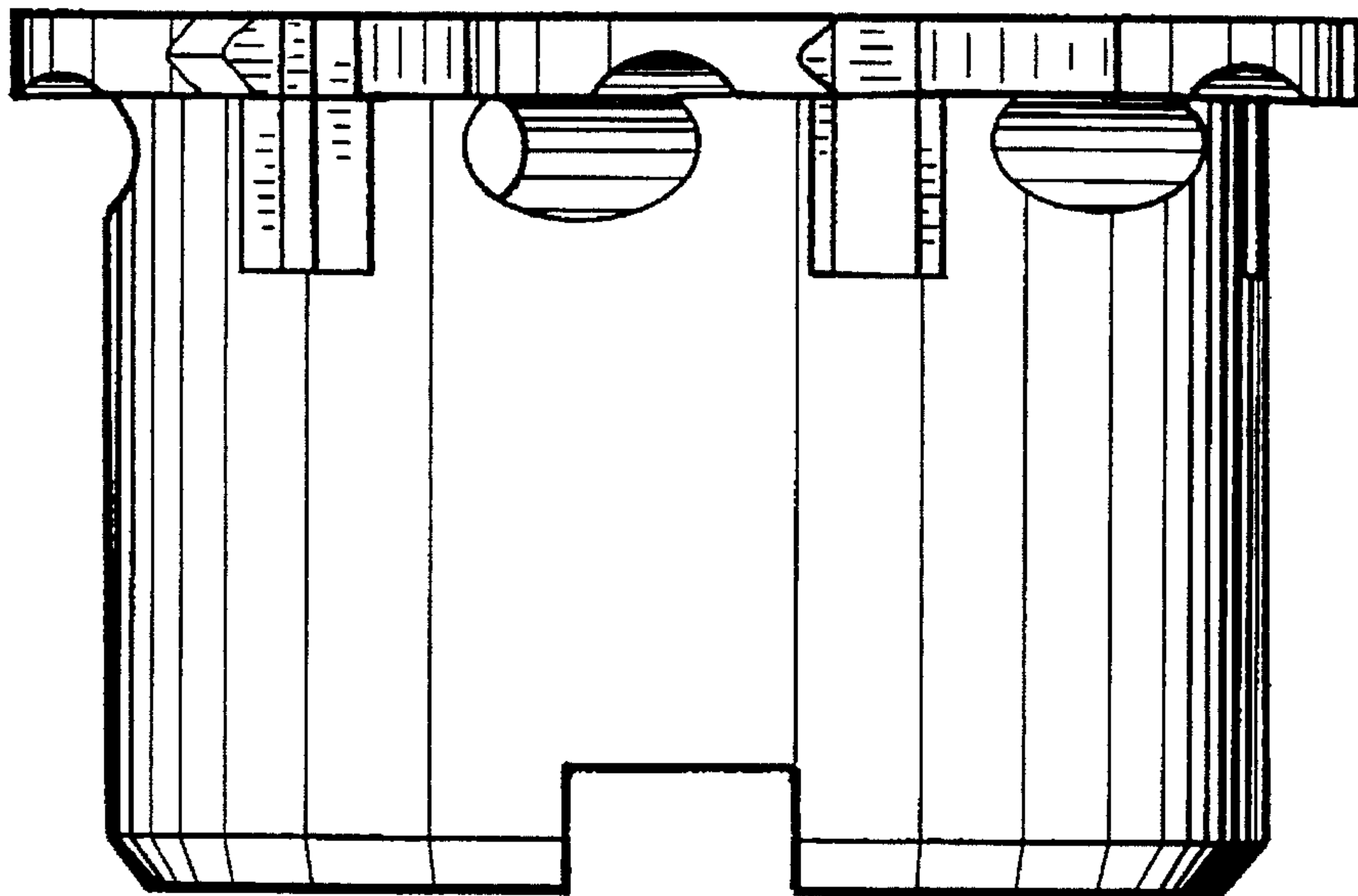


Fig. 3

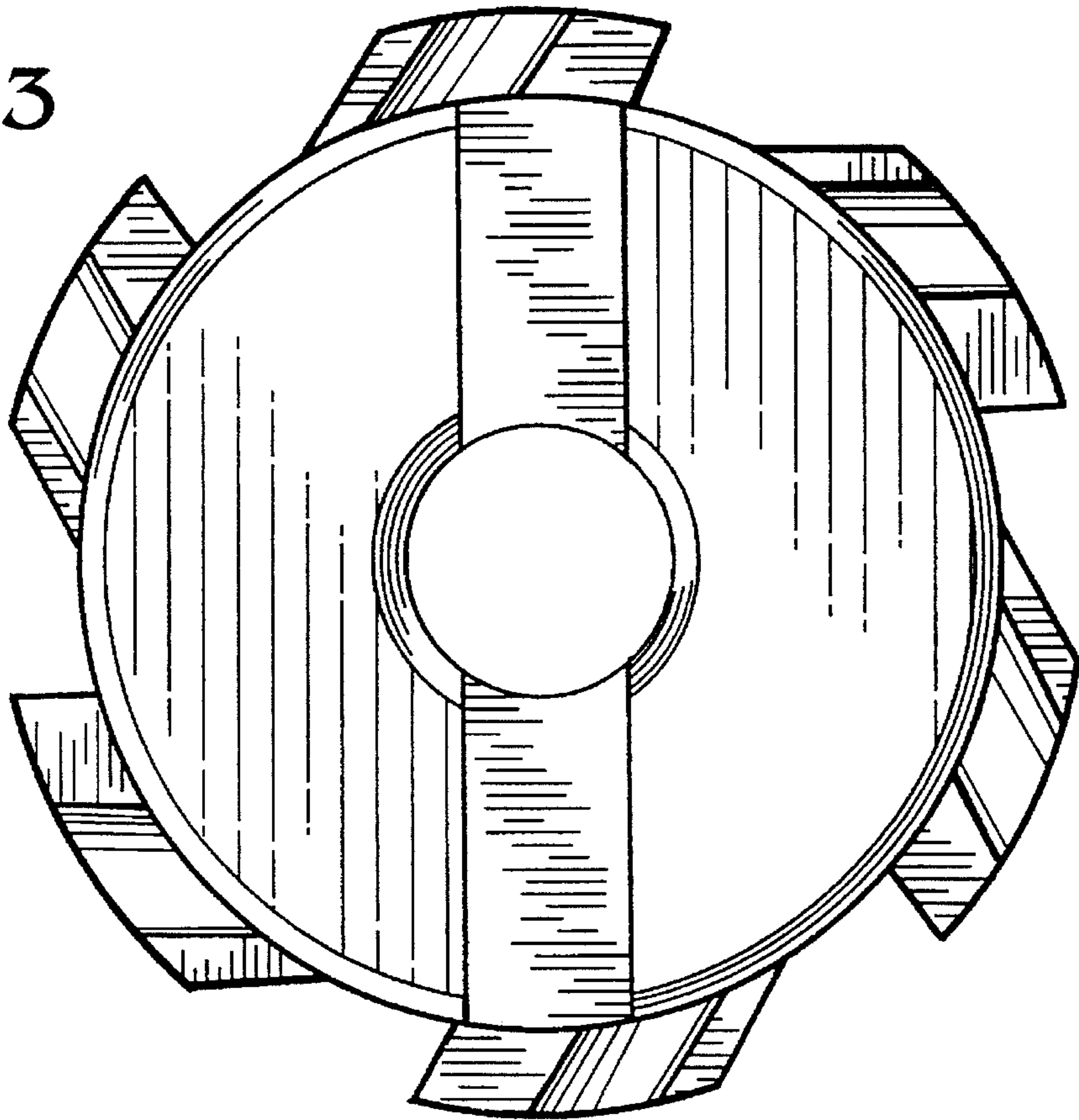


Fig. 4

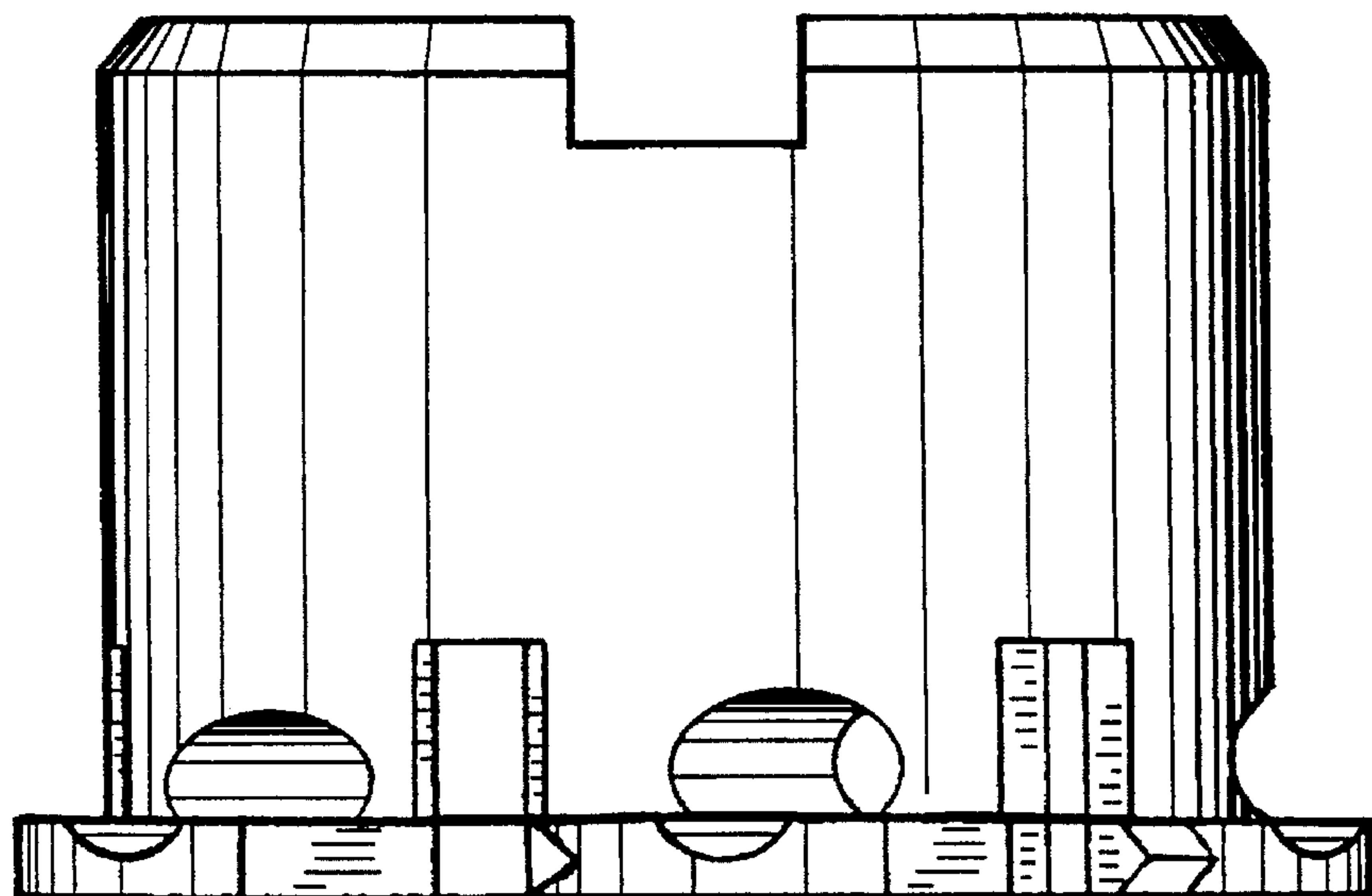


Fig. 5

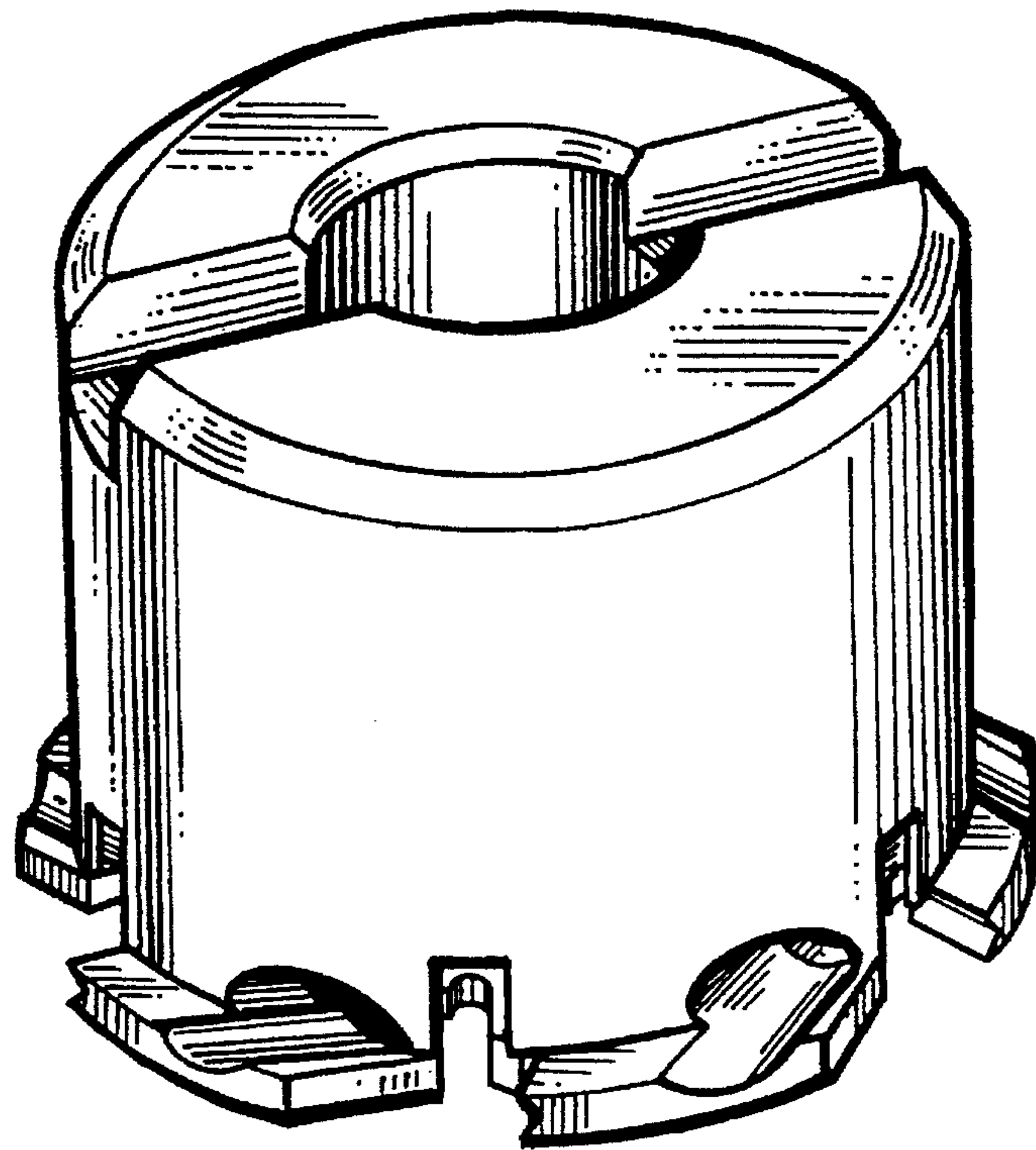
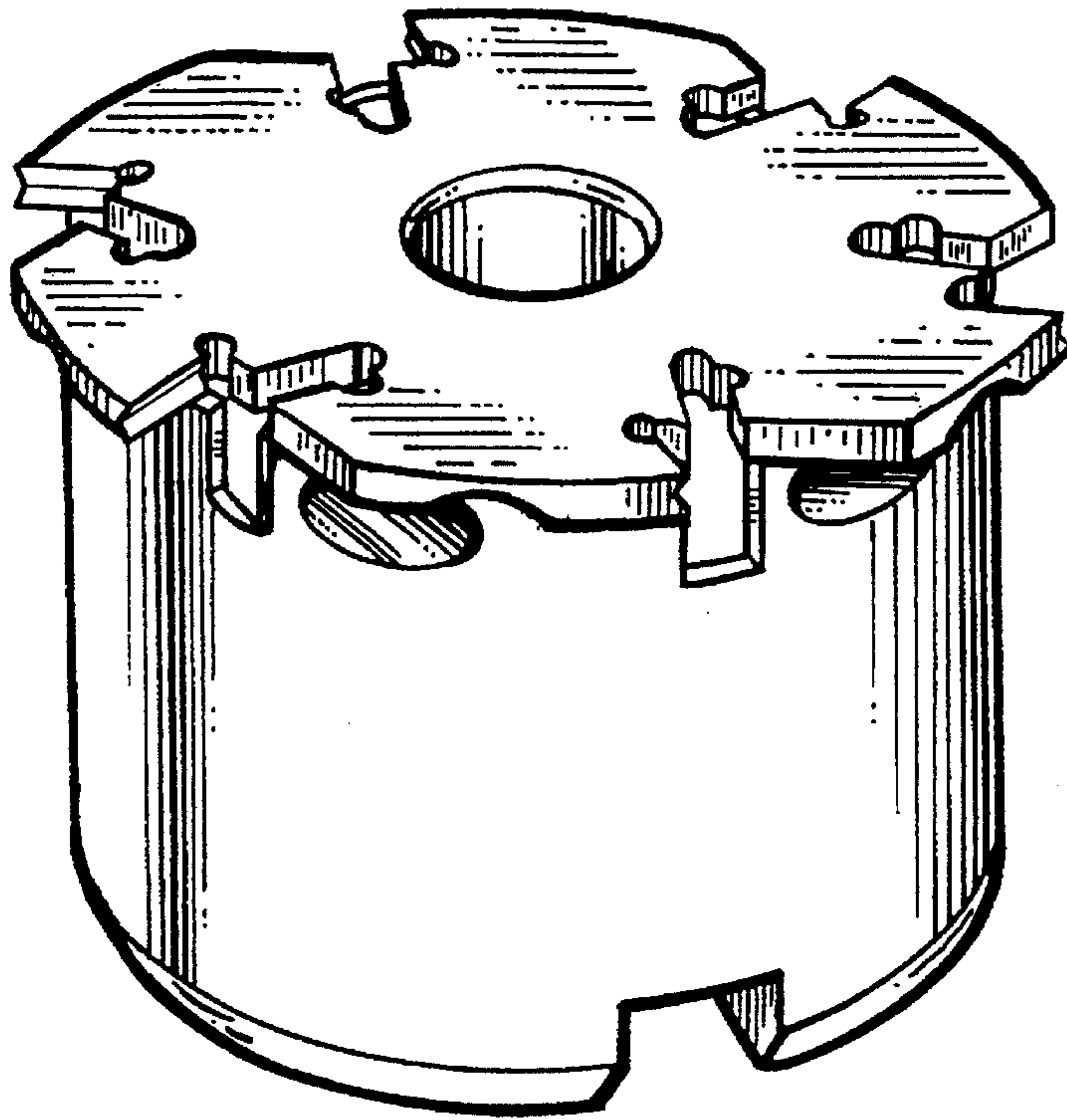


Fig. 6