



US00D376807S

United States Patent [19]

Satran et al.

[11] Patent Number: **Des. 376,807**

[45] Date of Patent: ****Dec. 24, 1996**

[54] METAL SLOTTING CUTTER

[75] Inventors: Amir Satran; Yaron Eizen, both of Kfar Vradim, Israel

[73] Assignee: Iscar Ltd., Migdal Tefen, Israel

[**] Term: 14 Years

[21] Appl. No.: 39,828

[22] Filed: Jun. 6, 1995

[30] Foreign Application Priority Data

Dec. 7, 1994 [IL] Israel 23636

[52] U.S. Cl. D15/139

[58] Field of Search D15/138, 139; 83/845; 403/331, 381; 407/33, 34, 42, 9, 54, 63, 110, 113, 115

[56] References Cited

U.S. PATENT DOCUMENTS

D. 262,219 12/1981 Lassiter D15/139

4,755,085	7/1988	Murén et al.	407/114 X
4,770,219	9/1988	Blackwell, Jr.	407/113 X
4,983,078	1/1991	Unozawa	407/34

Primary Examiner—Antoine Duval Davis
Attorney, Agent, or Firm—Pennie & Edmonds

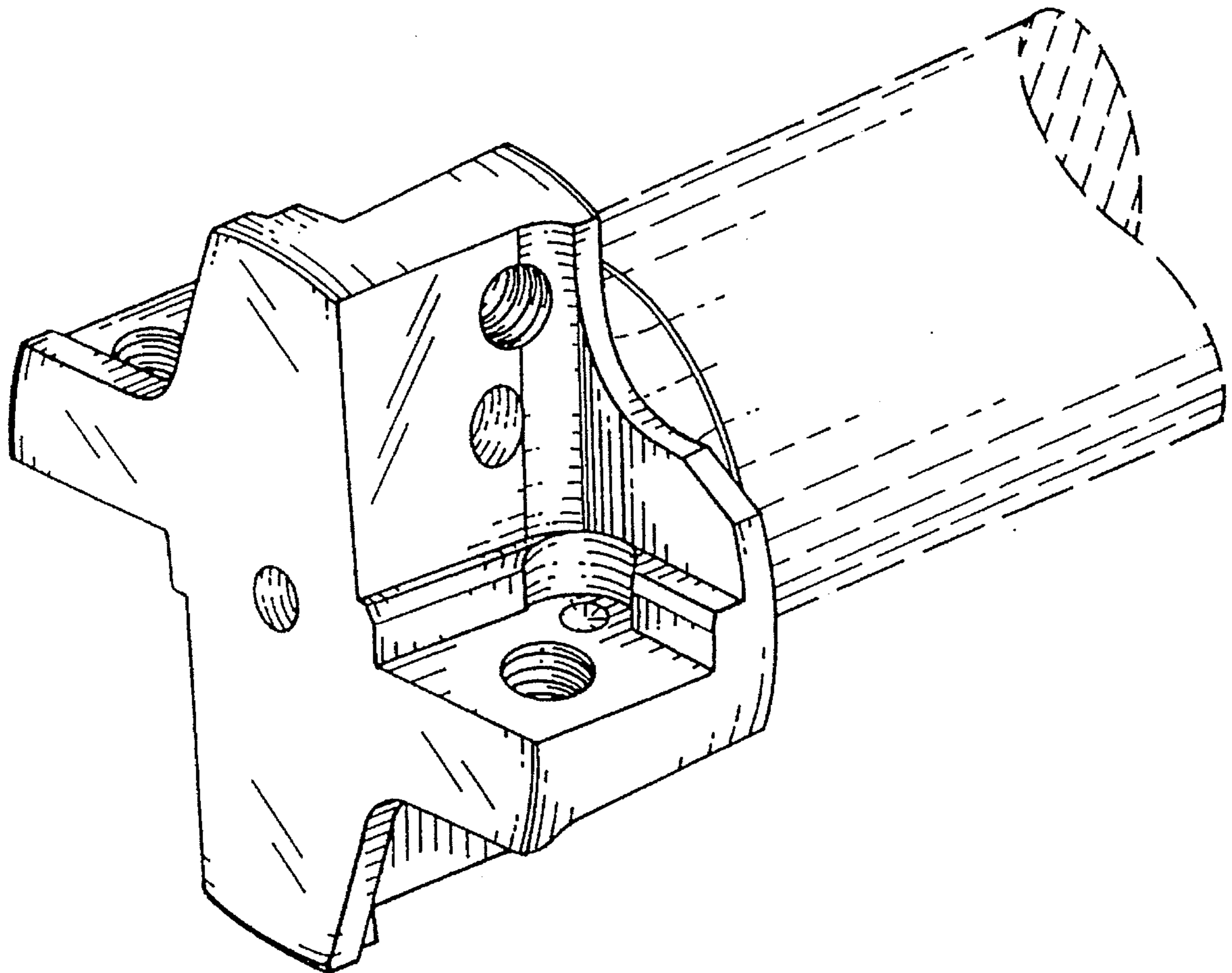
[57] CLAIM

The ornamental design for a metal slotting cutter, as shown and described.

DESCRIPTION

FIG. 1 is a first perspective view of the metal slotting cutter; FIG. 2 is a second perspective view of the metal slotting cutter; FIG. 3 is a right side view of the metal slotting cutter; FIG. 4 is a left side view of the metal slotting cutter; FIG. 5 is a top view of the metal slotting cutter; FIG. 6 is a bottom view of the metal slotting cutter; FIG. 7 is a front view of the metal slotting cutter; and, FIG. 8 is a rear view of the metal slotting cutter.

1 Claim, 6 Drawing Sheets



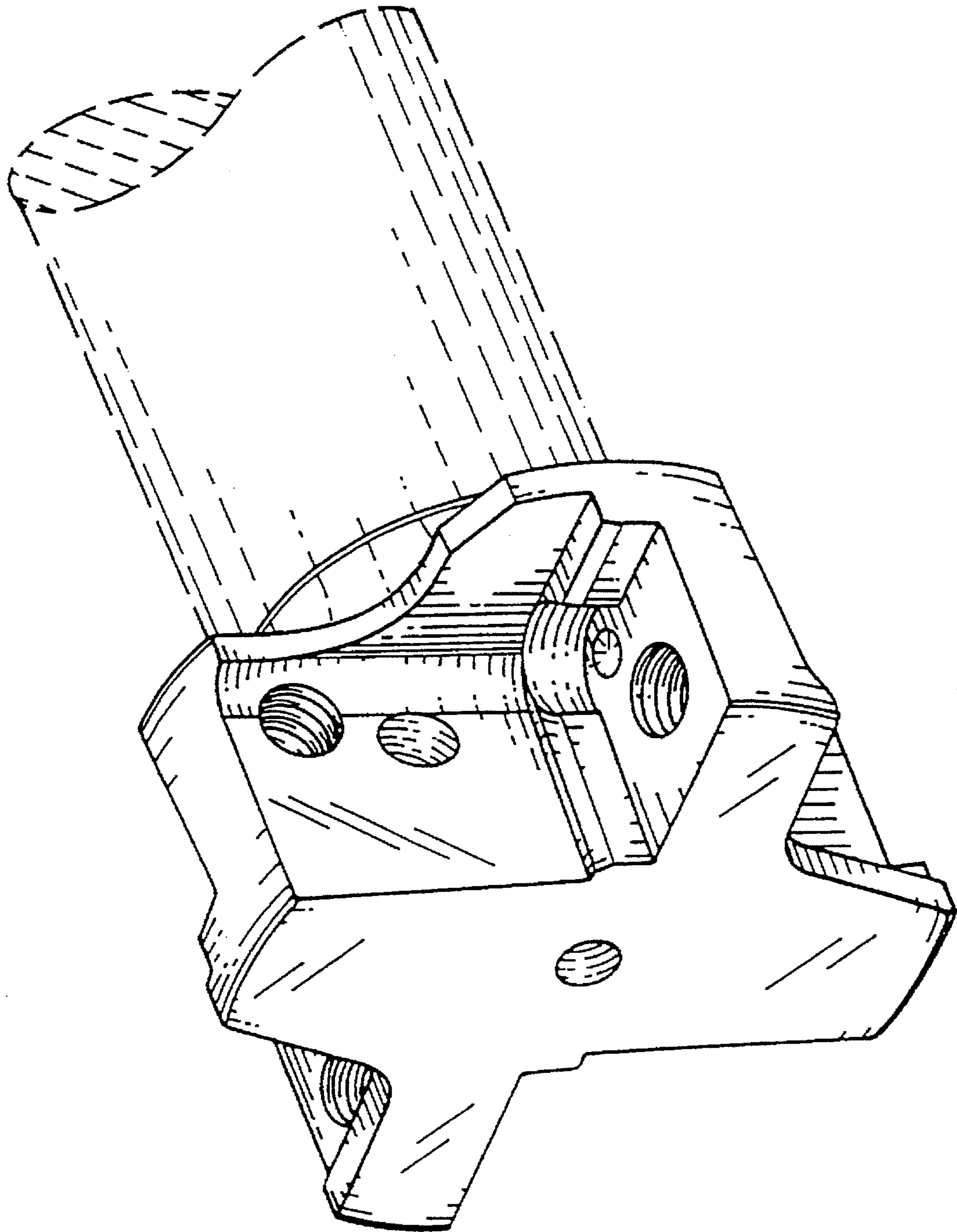


FIG. 1

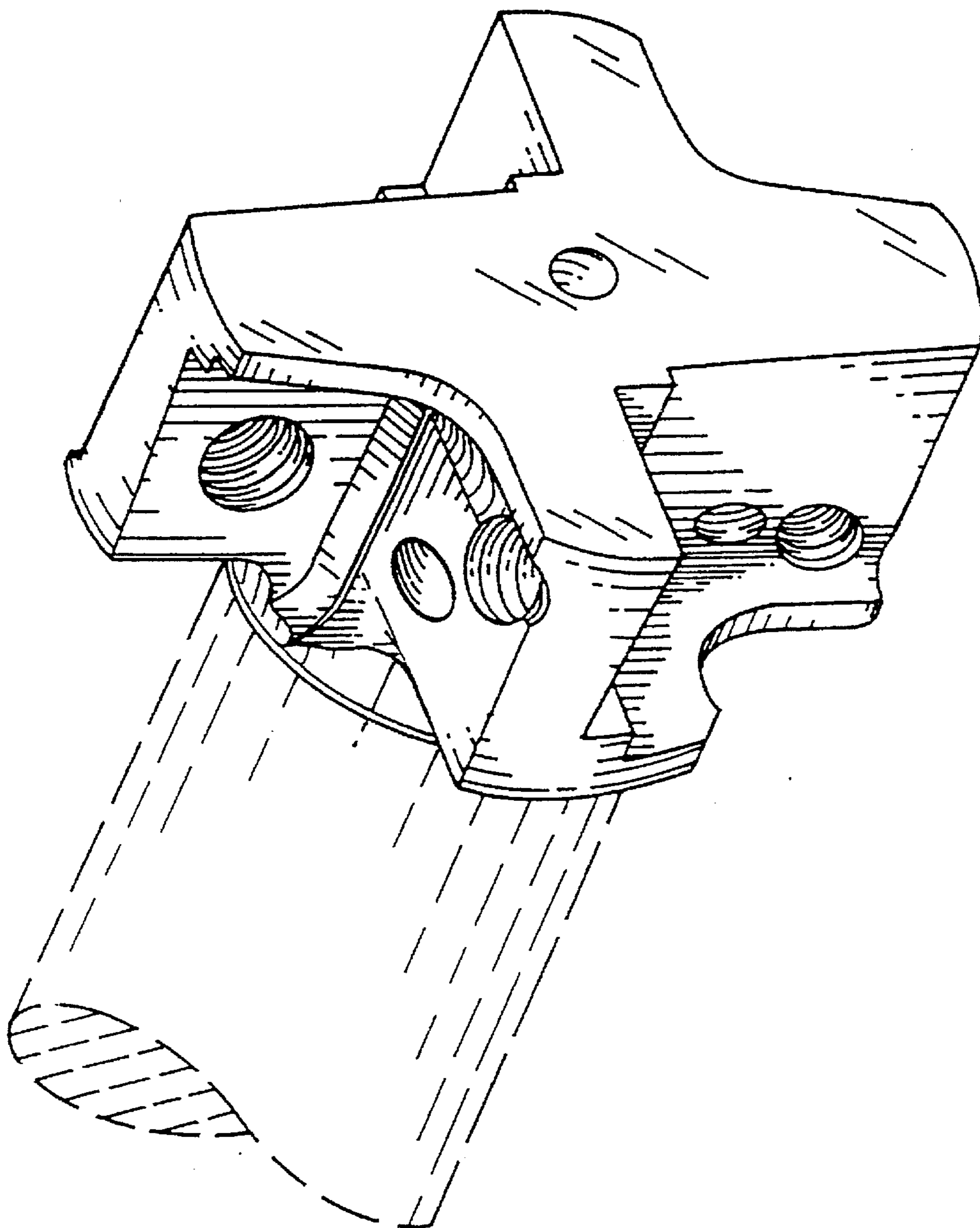


FIG. 2

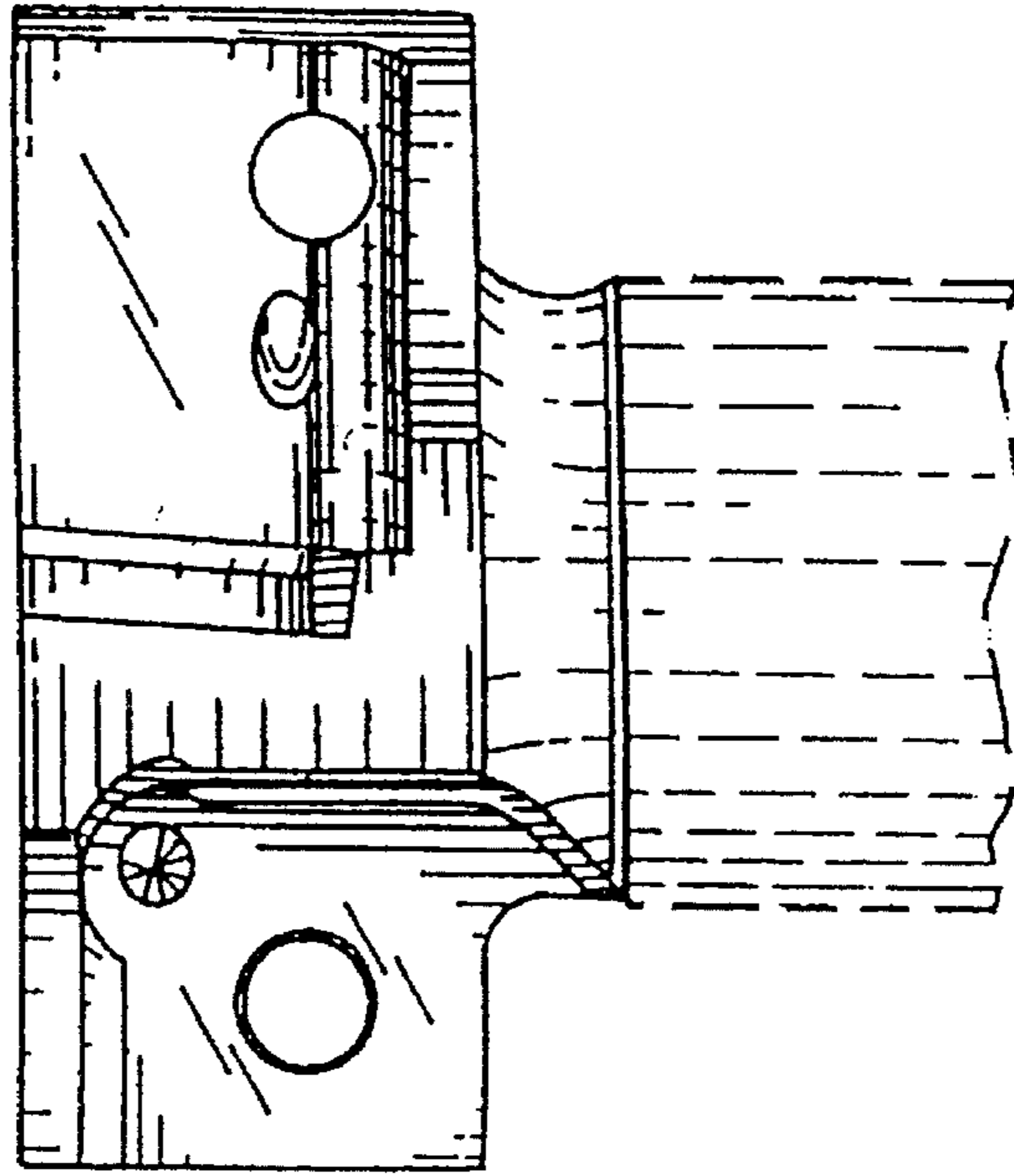


FIG. 3

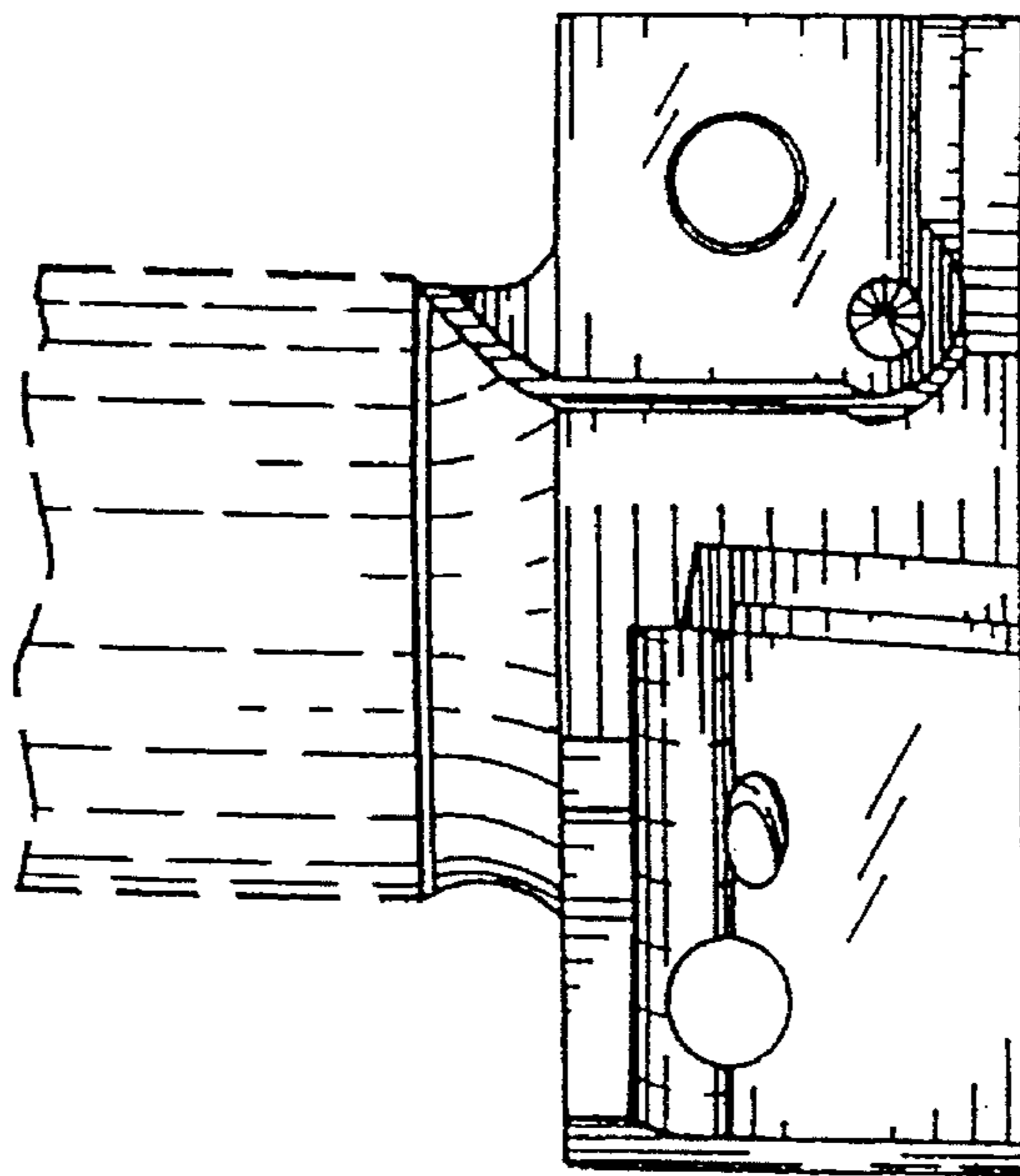


FIG. 4

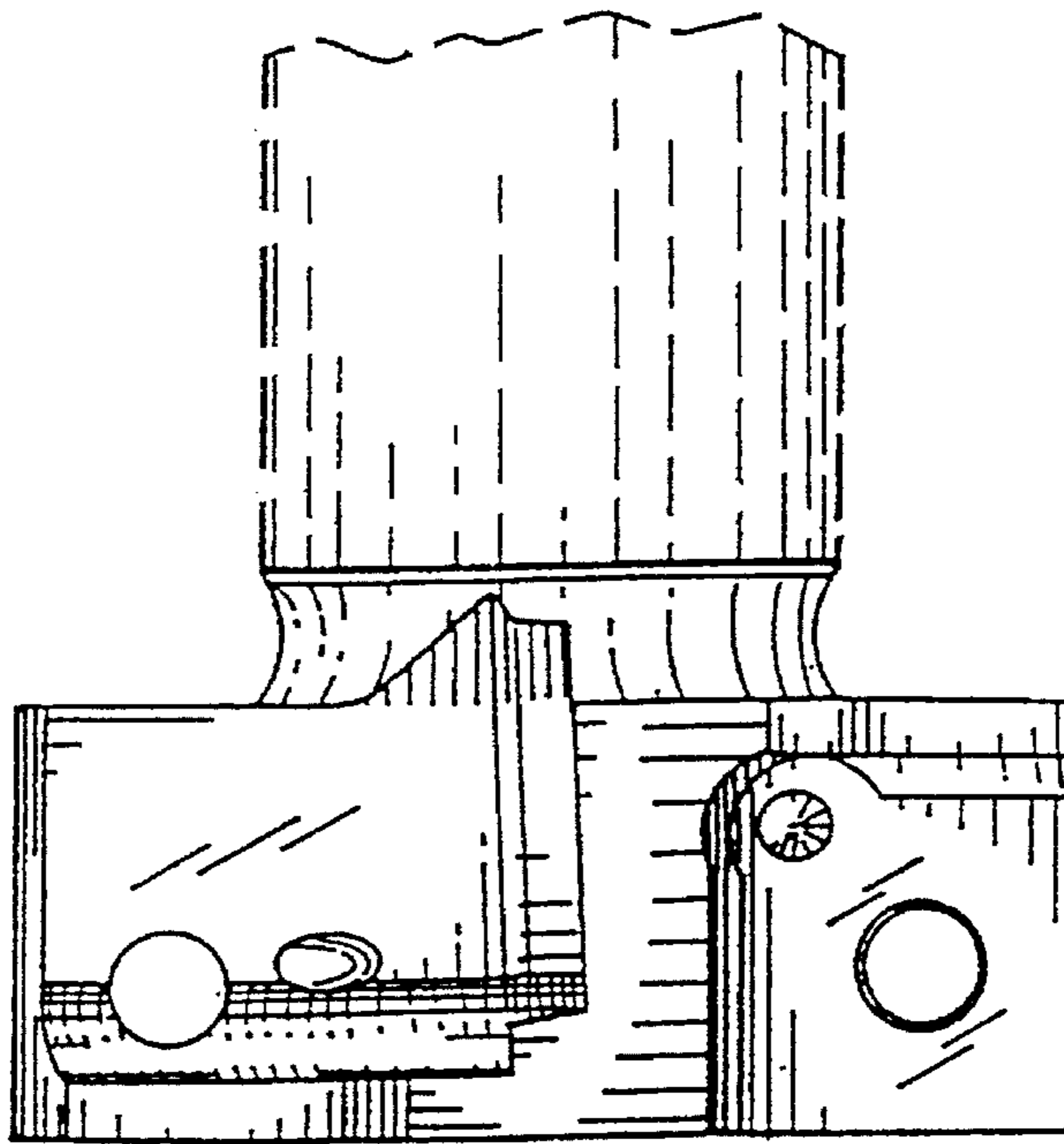


FIG. 5

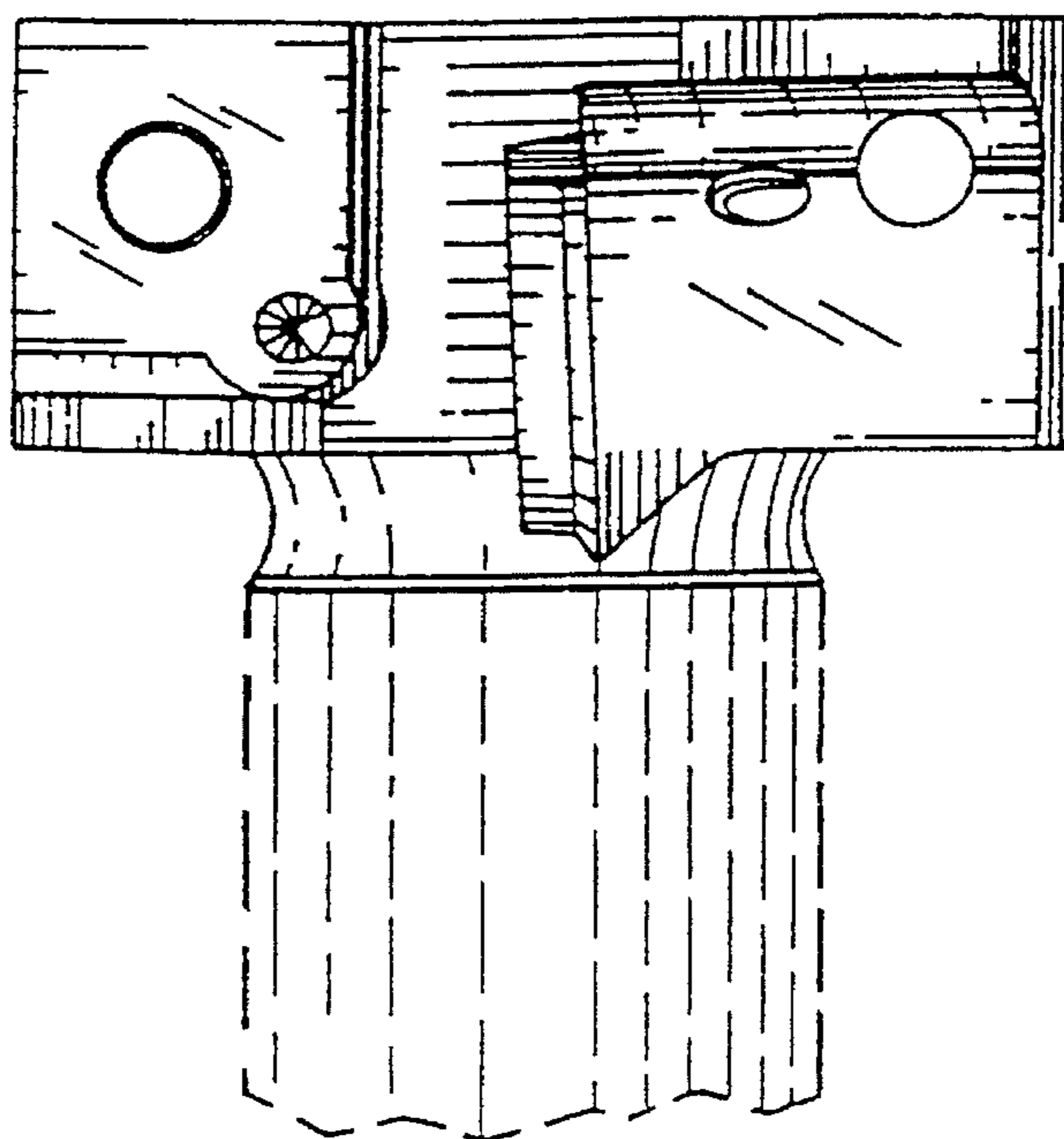


FIG. 6

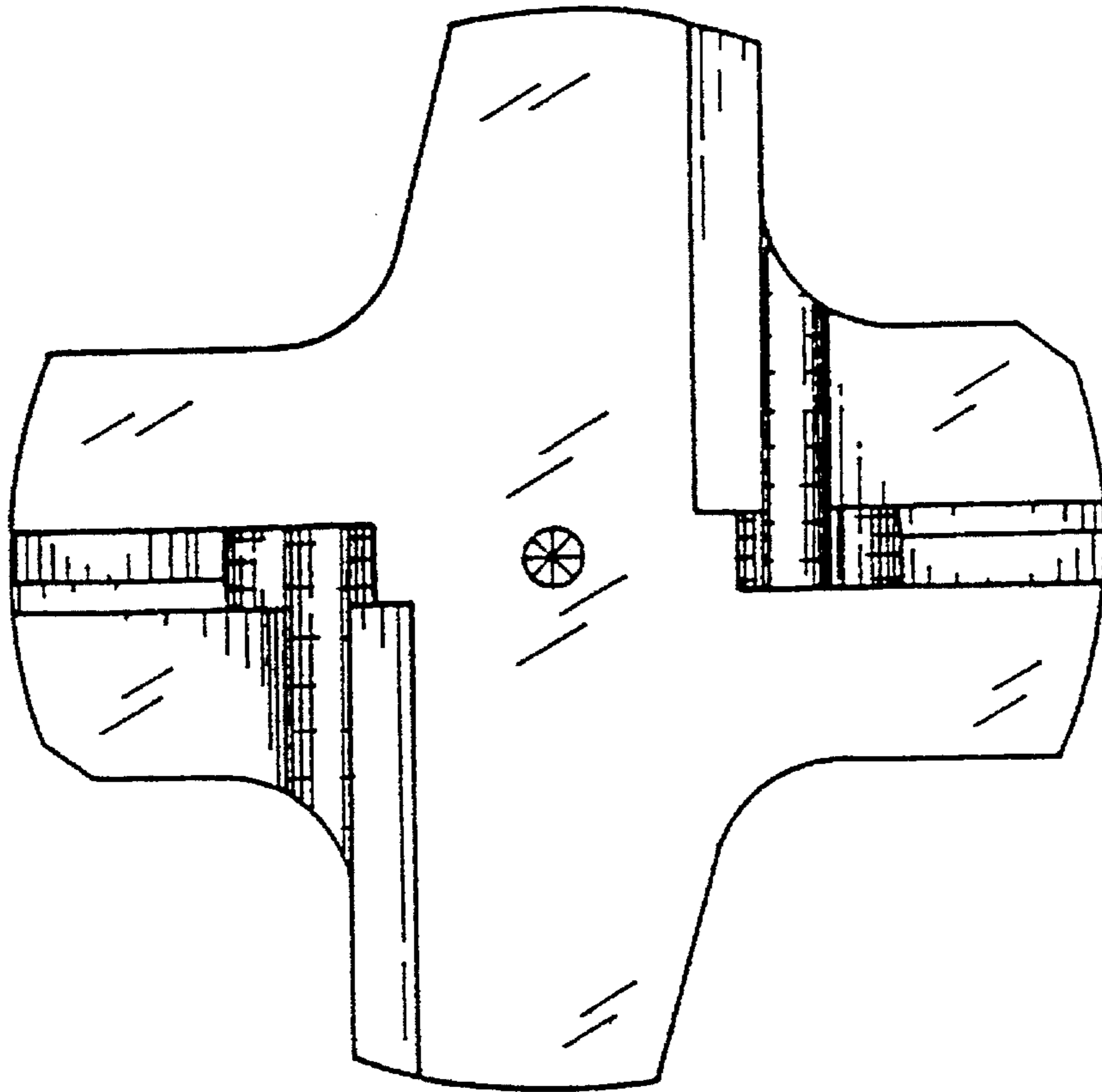


FIG. 7

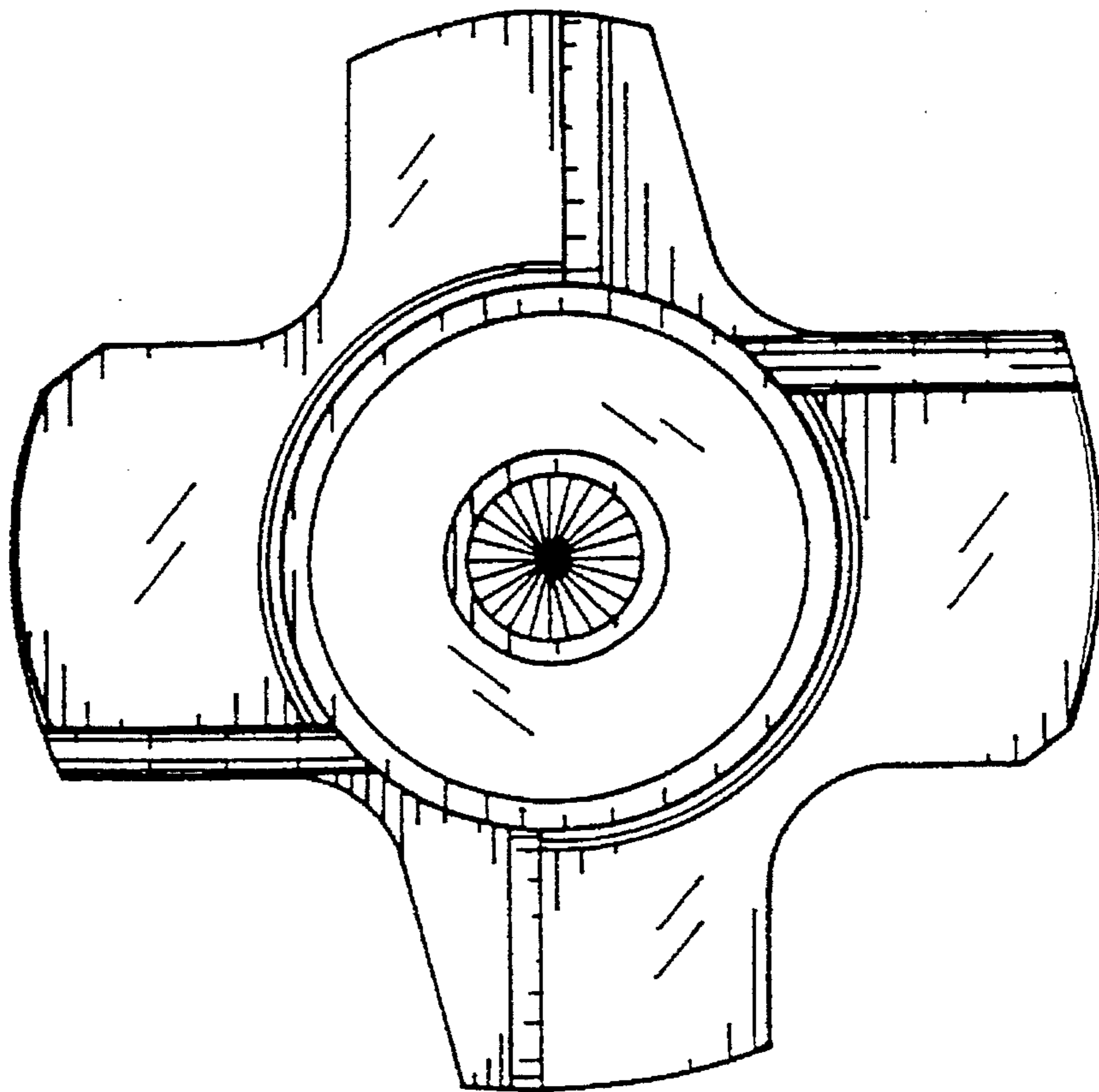


FIG. 8