



US00D376806S

United States Patent [19]

[11] Patent Number: **Des. 376,806**

Holly et al.

[45] Date of Patent: ****Dec. 24, 1996**

[54] **COMPOUND MITER SAW**

[75] Inventors: **Jeffrey S. Holly; Andrew L. Itzov,**
both of Menomonee Falls; **Charles A. Hirsch,**
Brown Deer; **Robert D. Davis,** Oshkosh;
Richard P. Brault, Cedarburg, all of Wis.

[73] Assignee: **Milwaukee Electric Tool Corporation,**
Brookfield, Wis.

[**] Term: **14 Years**

[21] Appl. No.: **26,145**

[22] Filed: **Jul. 20, 1994**

[52] U.S. Cl. **D15/133**

[58] Field of Search D15/133; 83/468.3,
83/471.1, 471.2, 471.3, 471.4, 477, 581

[56] **References Cited**

U.S. PATENT DOCUMENTS

D. 295,823	5/1988	Brickner et al.	D8/66
D. 306,031	2/1990	Ushiwata et al.	D15/133
D. 334,756	4/1993	Sakamoto et al.	D15/133
D. 348,272	6/1994	Brickner	D15/133
D. 351,393	10/1994	Sasaki et al.	D15/133
D. 352,948	11/1994	Chang	D15/133
2,095,330	10/1937	Hedgpeth	143/157
2,372,699	4/1945	Wiken et al.	164/60
2,559,283	7/1951	Dick, Jr.	143/6
2,601,878	7/1952	Anderson	143/132
3,192,814	7/1965	Zimmerman	83/467
3,302,669	2/1967	Edler	143/6
3,574,315	4/1971	Boultinghouse	143/6
3,901,498	8/1975	Novak	269/81
3,998,121	12/1976	Bennett	83/471.3
4,002,094	1/1977	Erickson et al.	83/471.3
4,152,961	5/1979	Batson	83/471.3
4,206,910	6/1980	Biesemeyer	269/236
4,265,154	5/1981	Batson	83/468
4,322,066	3/1982	Disney	269/304
4,452,117	6/1984	Brickner et al.	83/467
4,537,105	8/1985	Bergler	83/471.3
4,556,094	12/1985	Willocks	144/253
4,559,857	12/1985	Grossmann et al.	83/471.3
4,561,336	12/1985	Davis	85/859
4,600,184	7/1986	Ashworth	269/303
4,638,700	1/1987	Fushiya et al.	83/467

4,774,866	10/1988	Dehari et al.	83/478
4,798,113	1/1989	Viazanko	83/471.3
4,817,693	4/1989	Schuler	144/359
4,846,036	7/1989	Metzger, Jr. et al.	83/438
4,869,142	9/1989	Sato et al.	83/467.1
4,934,233	6/1990	Brundage et al.	83/397
5,016,693	5/1991	Haffely et al.	144/253
5,018,562	5/1991	Adams	144/253
5,020,406	6/1991	Sasaki et al.	83/397
5,042,348	8/1991	Brundage et al.	83/471.3
5,054,352	10/1991	Fushiya et al.	83/468.3
5,060,548	10/1991	Sato et al.	83/471.003
5,063,802	11/1991	Shiotani et al.	83/98
5,063,805	11/1991	Brundage	83/468.3
5,090,283	2/1992	Noble	83/467.1
5,116,249	5/1992	Shiotani et al.	83/435.001
5,146,825	9/1992	Dehari	83/397
5,146,826	9/1992	Shiotani et al.	83/468.2
5,181,448	1/1993	Terpetra	83/468.3
5,191,935	3/1993	McCombie	144/286
5,201,863	4/1993	Peot	83/432
5,205,198	4/1993	Foray et al.	83/435.001
5,220,857	6/1993	Freeburger	83/468.3
5,228,374	7/1993	Santeramo, Sr.	83/438
5,230,269	7/1993	Shiotani et al.	83/468.7
5,282,408	2/1994	Shiotani et al.	83/432
5,297,463	3/1994	O'Banion et al.	83/468.3

OTHER PUBLICATIONS

Milwaukee Electric Tool Corporation Sales Catalog 194
"Heavy-Duty Electric Tools For Contractors and Industry",
1994, pp. 60-61 and 76.

Primary Examiner—Antoine Duval Davis
Attorney, Agent, or Firm—Michael, Best & Friedrich

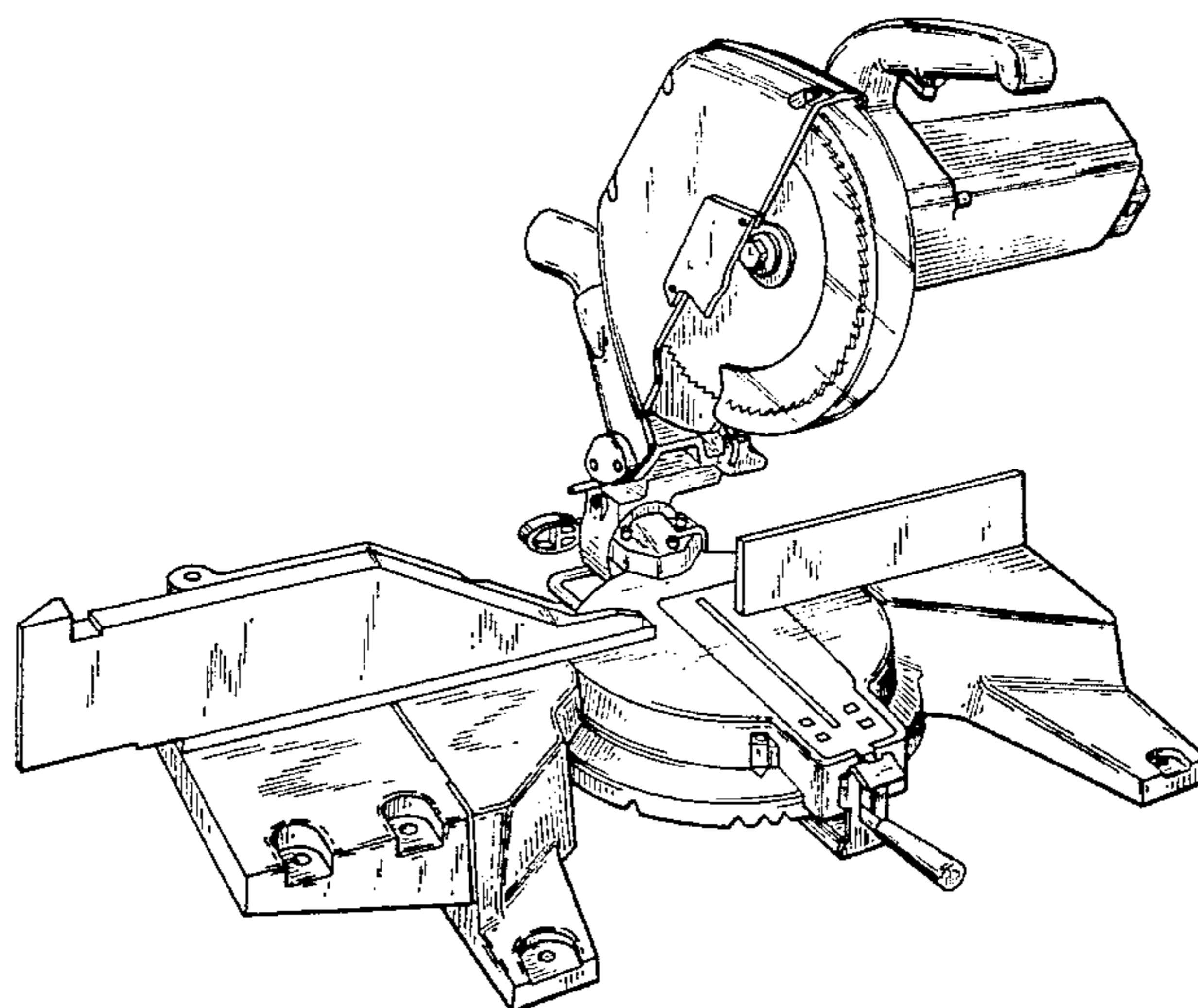
[57] **CLAIM**

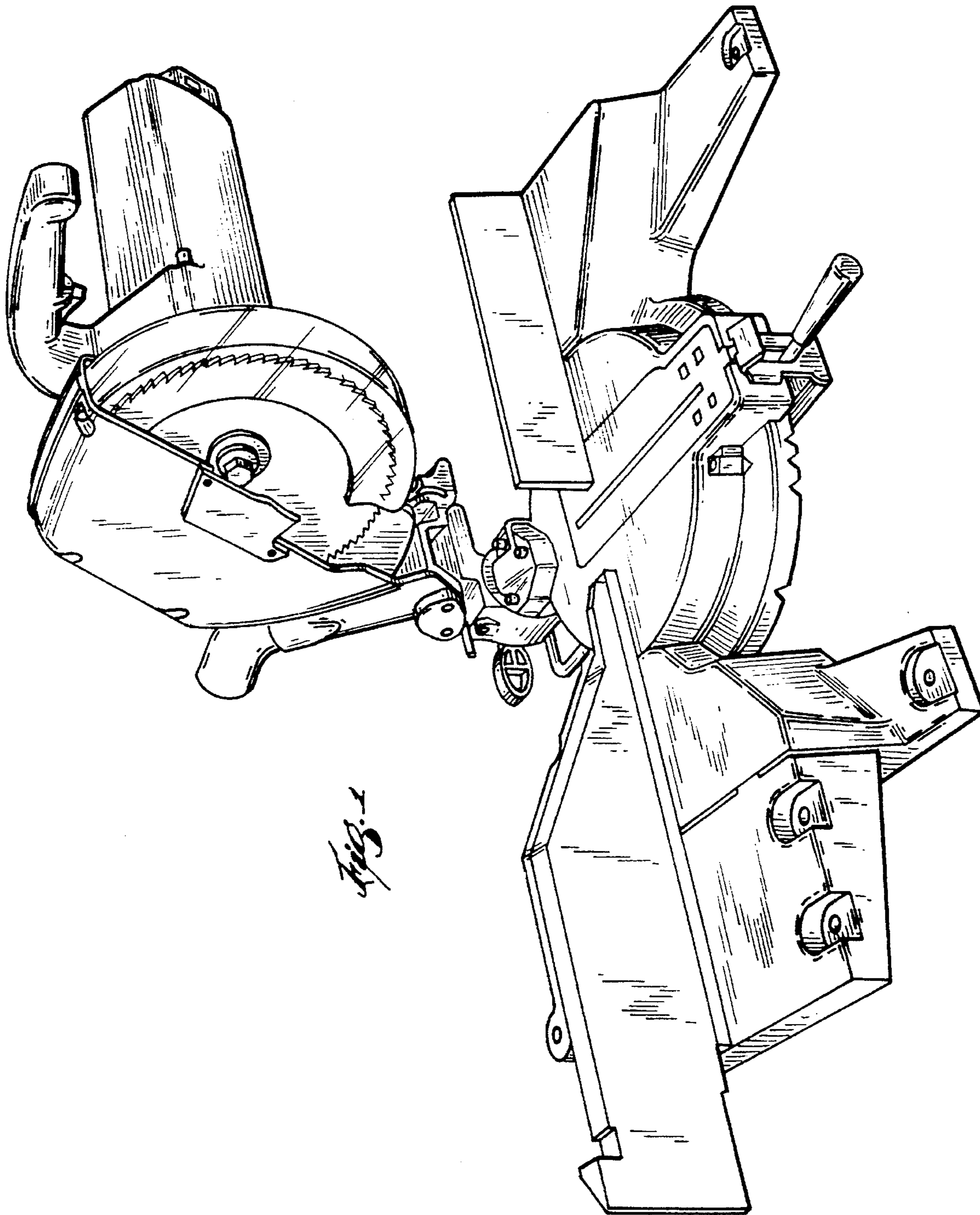
The ornamental design for a compound miter saw, as shown
and described.

DESCRIPTION

FIG. 1 is a perspective view of a compound miter saw
showing our new design;
FIG. 2 is a top plan view thereof;
FIG. 3 is a right side elevational view thereof;
FIG. 4 is a left side elevational thereof;
FIG. 5 is a front elevational view thereof; and,
FIG. 6 is a rear elevational view thereof.

1 Claim, 6 Drawing Sheets





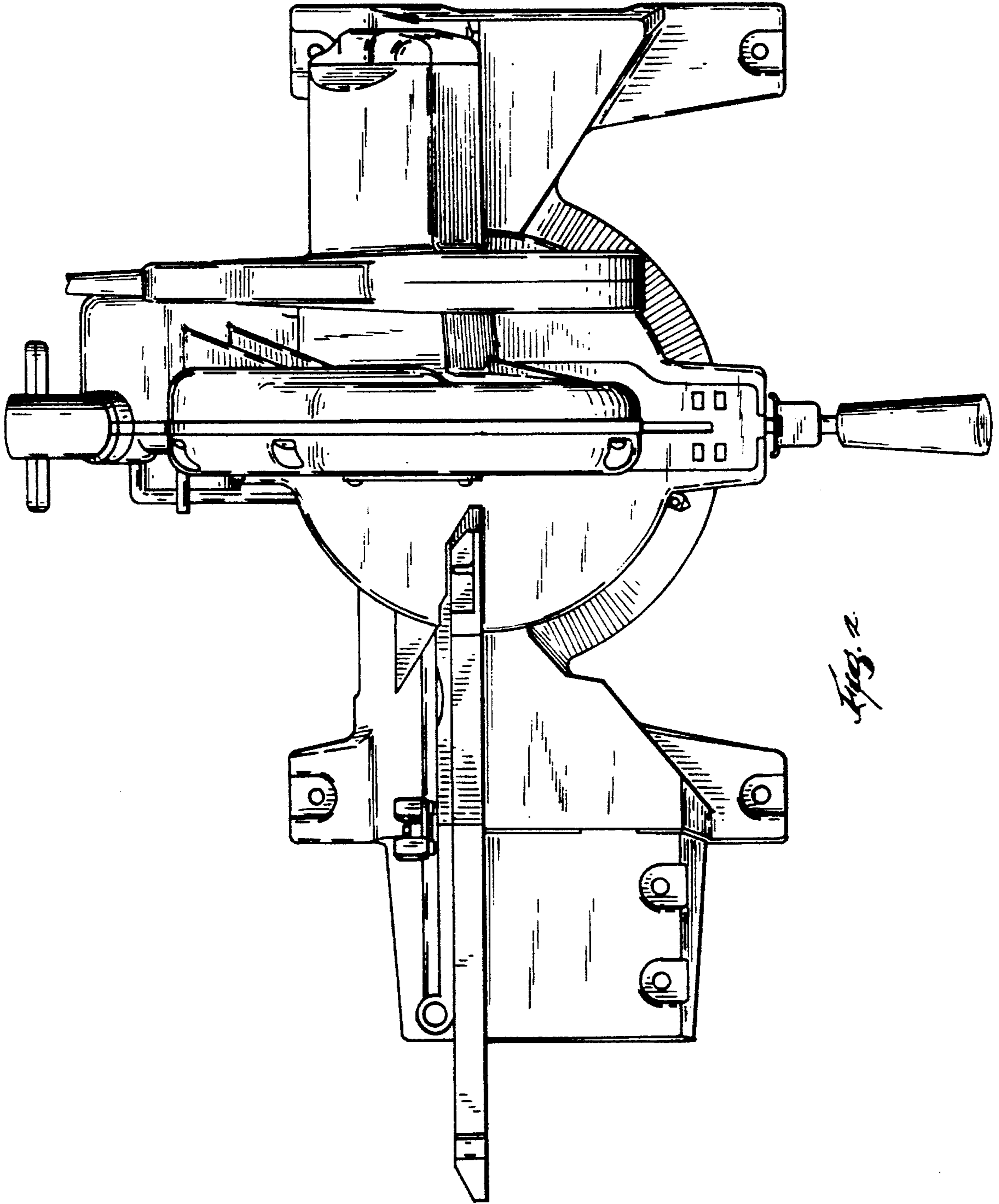


Fig. 2

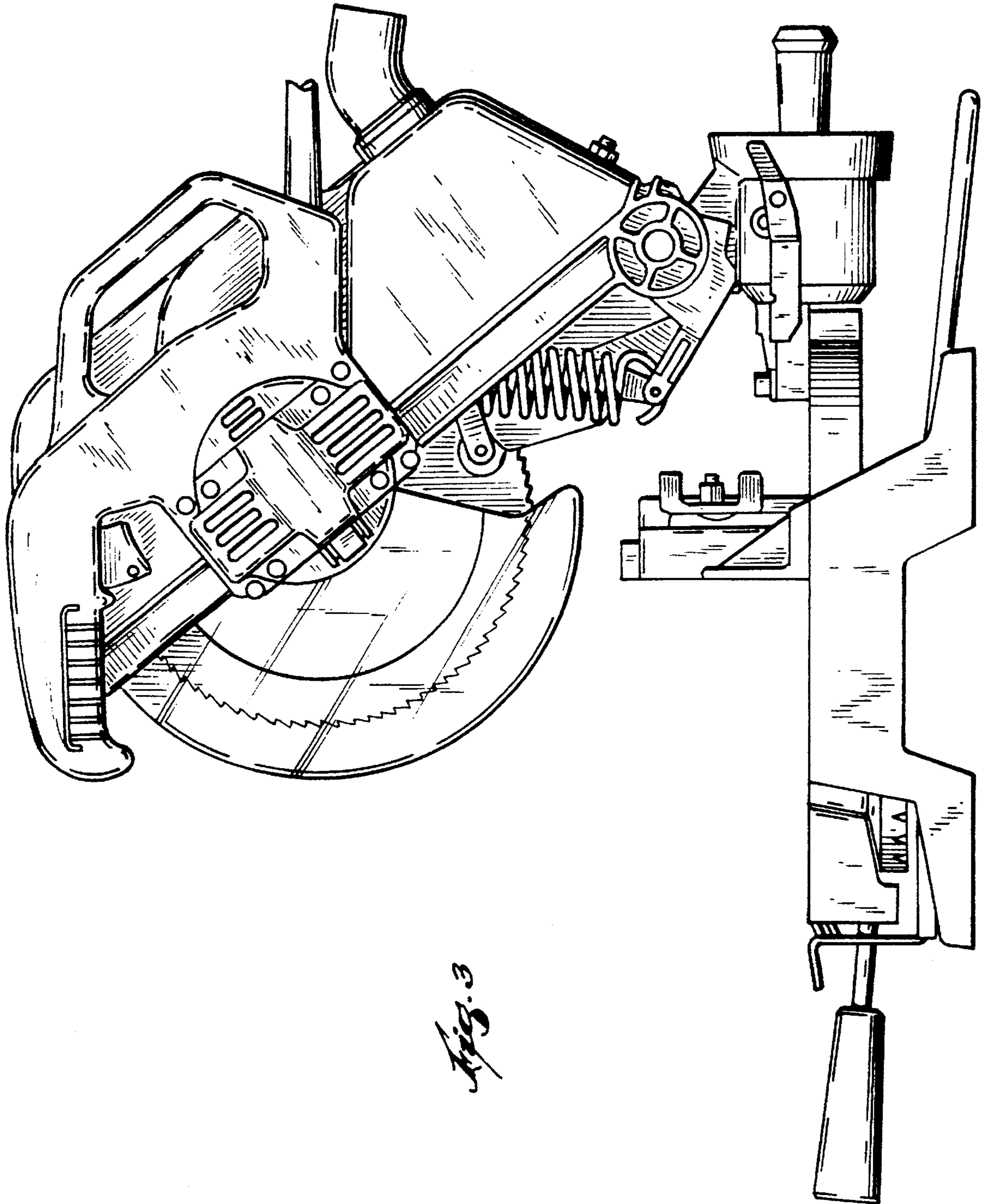
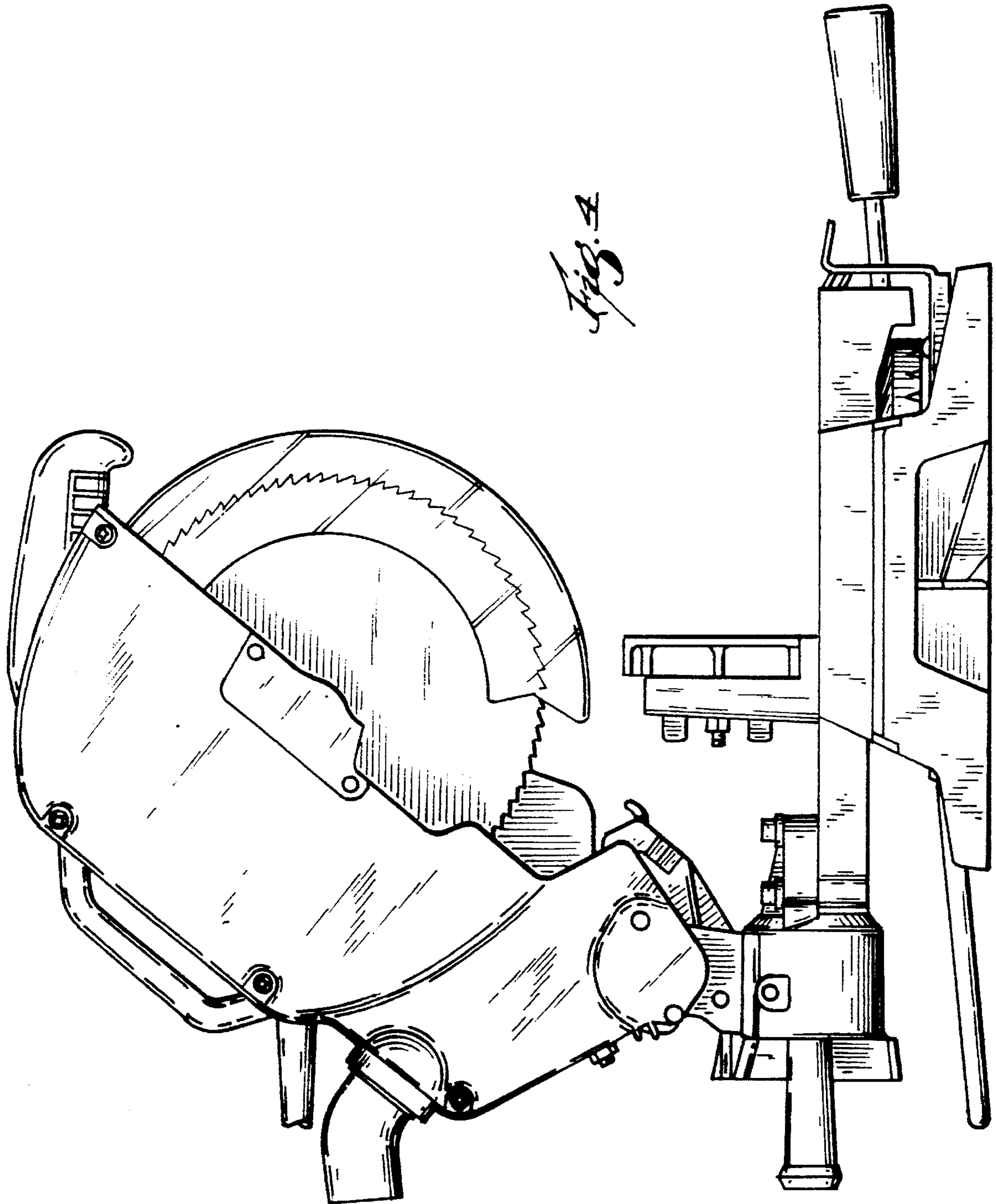


Fig. 3



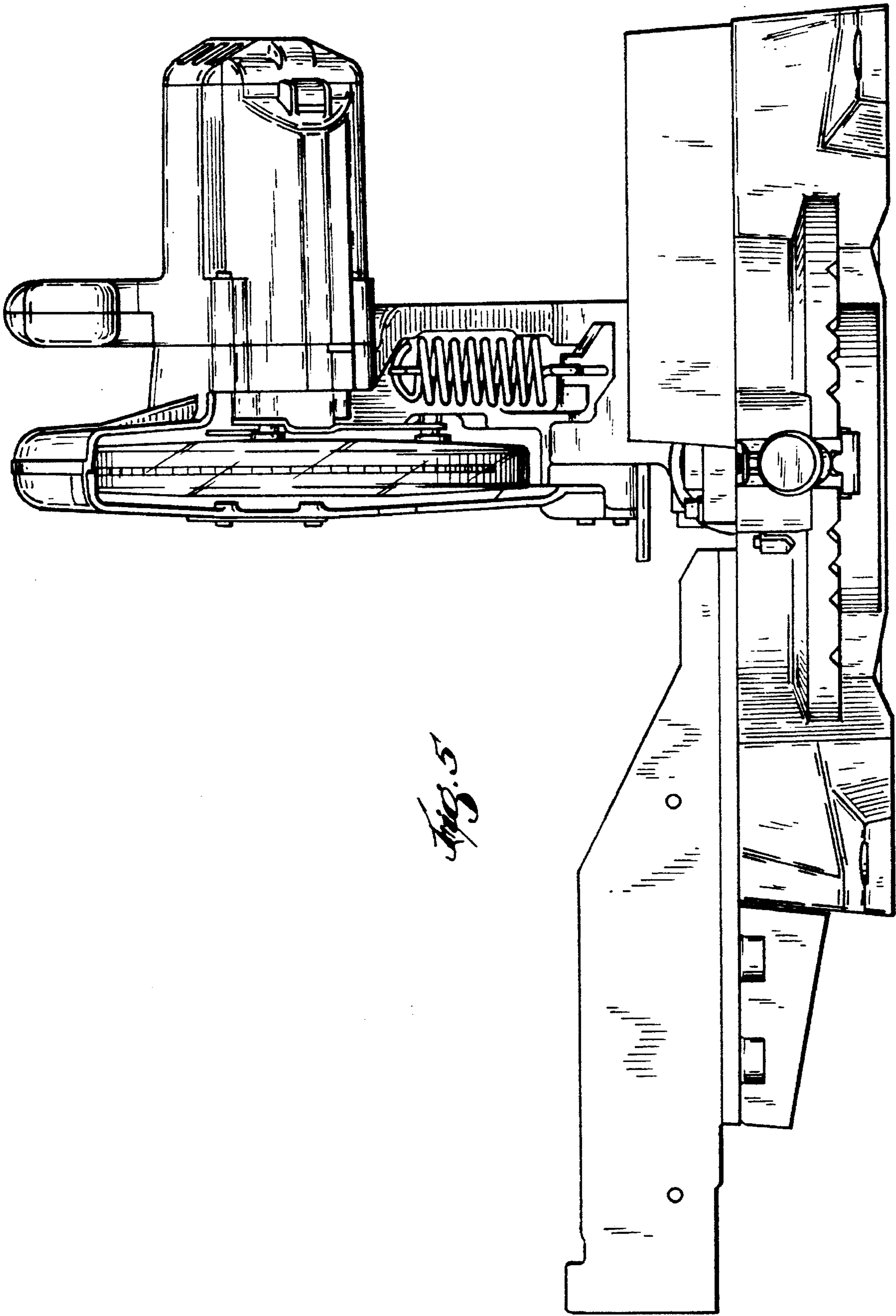


Fig. 5

