



US00D376805S

# United States Patent [19]

Johansson

[11] Patent Number: **Des. 376,805**

[45] Date of Patent: **\*\*Dec. 24, 1996**

[54] **HOLDER FOR MOBILE PHONE IN VEHICLES**

[75] Inventor: **Ebbe Johansson**, Karlsborb, Sweden

[73] Assignee: **Brodit Plast AB**, Karlsborg, Sweden

[\*\*] Term: **14 Years**

[21] Appl. No.: **44,457**

[22] Filed: **Sep. 25, 1995**

### [30] Foreign Application Priority Data

Jun. 2, 1995 [SE] Sweden ..... 95-1130

[52] U.S. Cl. .... **D14/253; D8/349**

[58] Field of Search ..... D14/251, 253, D14/240, 252, 140, 142, 107, 114; D8/349, 373, 354; D3/218; 379/446, 454, 455, 434-436; D6/553; D12/415, 420

### [56] References Cited

#### U.S. PATENT DOCUMENTS

- D. 306,299 2/1990 Soren et al. .... D14/253 X
- D. 308,870 6/1990 Rioux, Jr. .... D14/251
- D. 312,205 11/1990 De Rooij ..... D8/349 X

- D. 317,157 5/1991 Jondelius ..... D8/373 X
- D. 320,992 10/1991 Jondelius ..... D14/253
- D. 333,085 2/1993 Thomsen ..... D8/349 X
- 4,945,561 7/1990 Rioux, Jr. .... 379/454
- 5,222,132 6/1993 Rioux, Jr. .... 379/455
- 5,416,839 5/1995 Lee ..... 379/446 X

Primary Examiner—Jeffrey Asch  
Attorney, Agent, or Firm—Dvorak and Traub

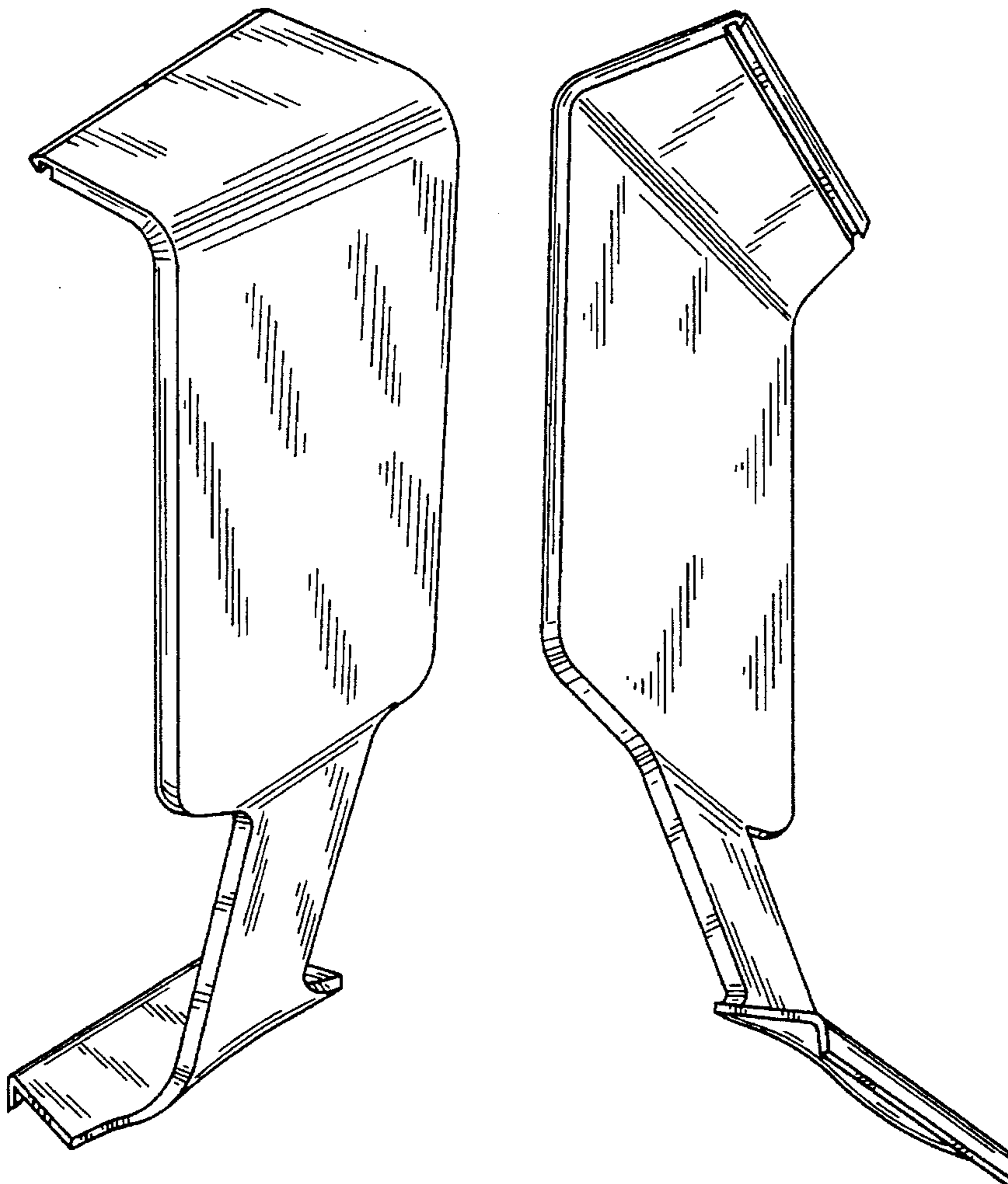
### [57] CLAIM

The ornamental design for a holder for mobile phone in vehicles, as shown.

### DESCRIPTION

FIG. 1 is an upper perspective view of a holder for a mobile phone in vehicles showing my new design; FIG. 2 is a lower perspective view shown in FIG. 1; FIG. 3 is a bottom view; FIG. 4 is a top view; FIG. 5 is a side view; FIG. 6 is a view of an opposite side shown in FIG. 5; FIG. 7 is a front view; and, FIG. 8 is a rear view.

1 Claim, 4 Drawing Sheets



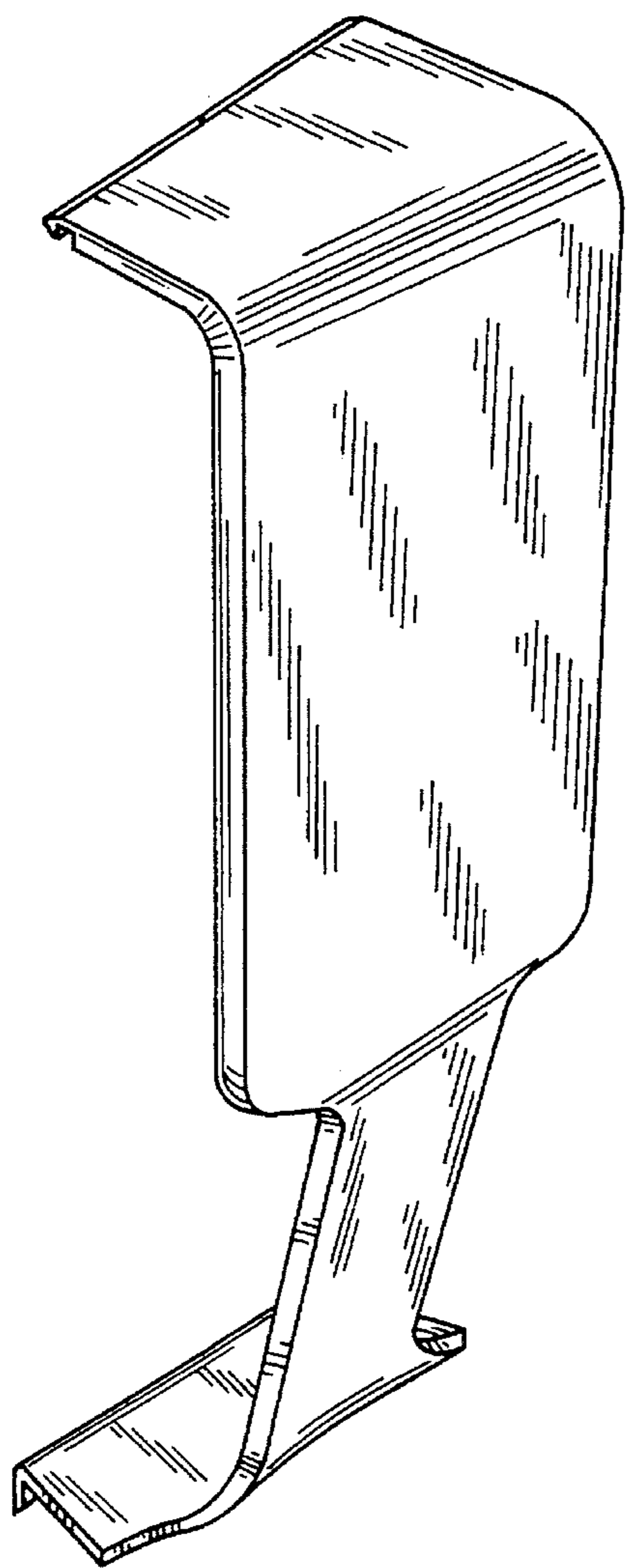


FIG. 1

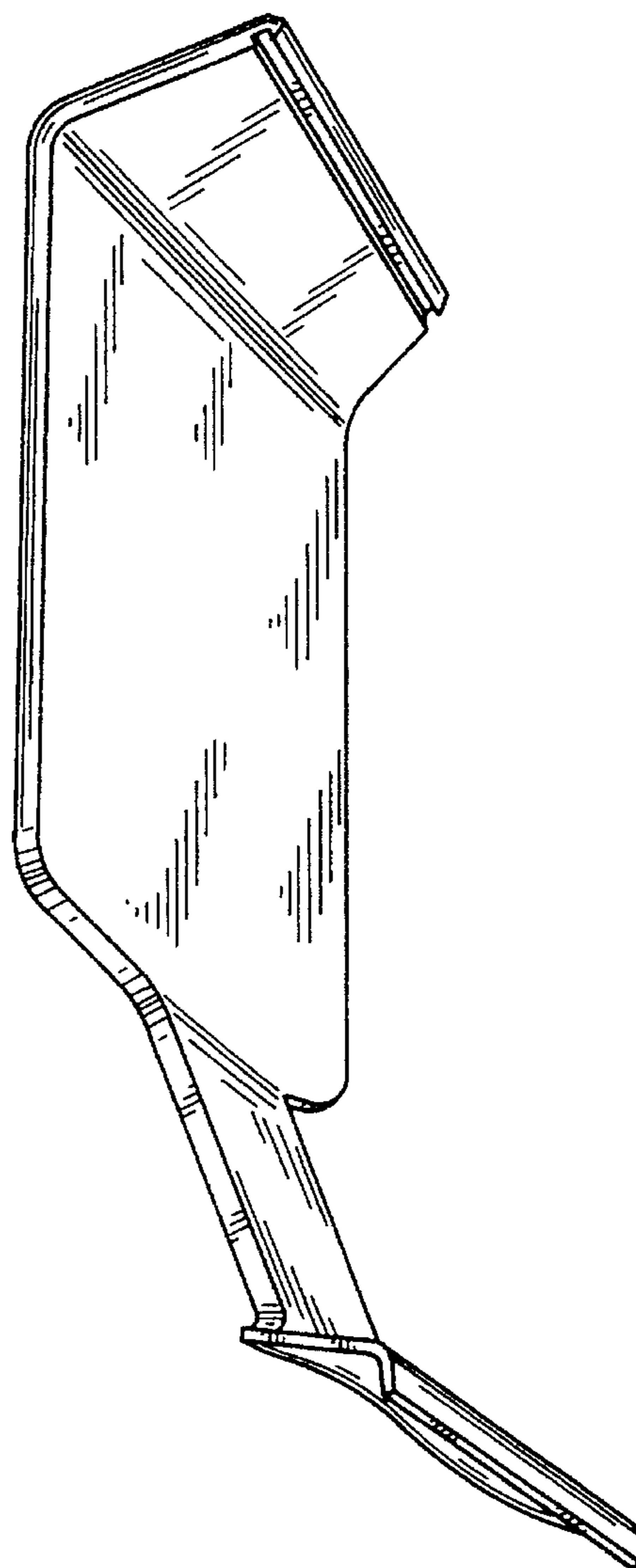


FIG. 2

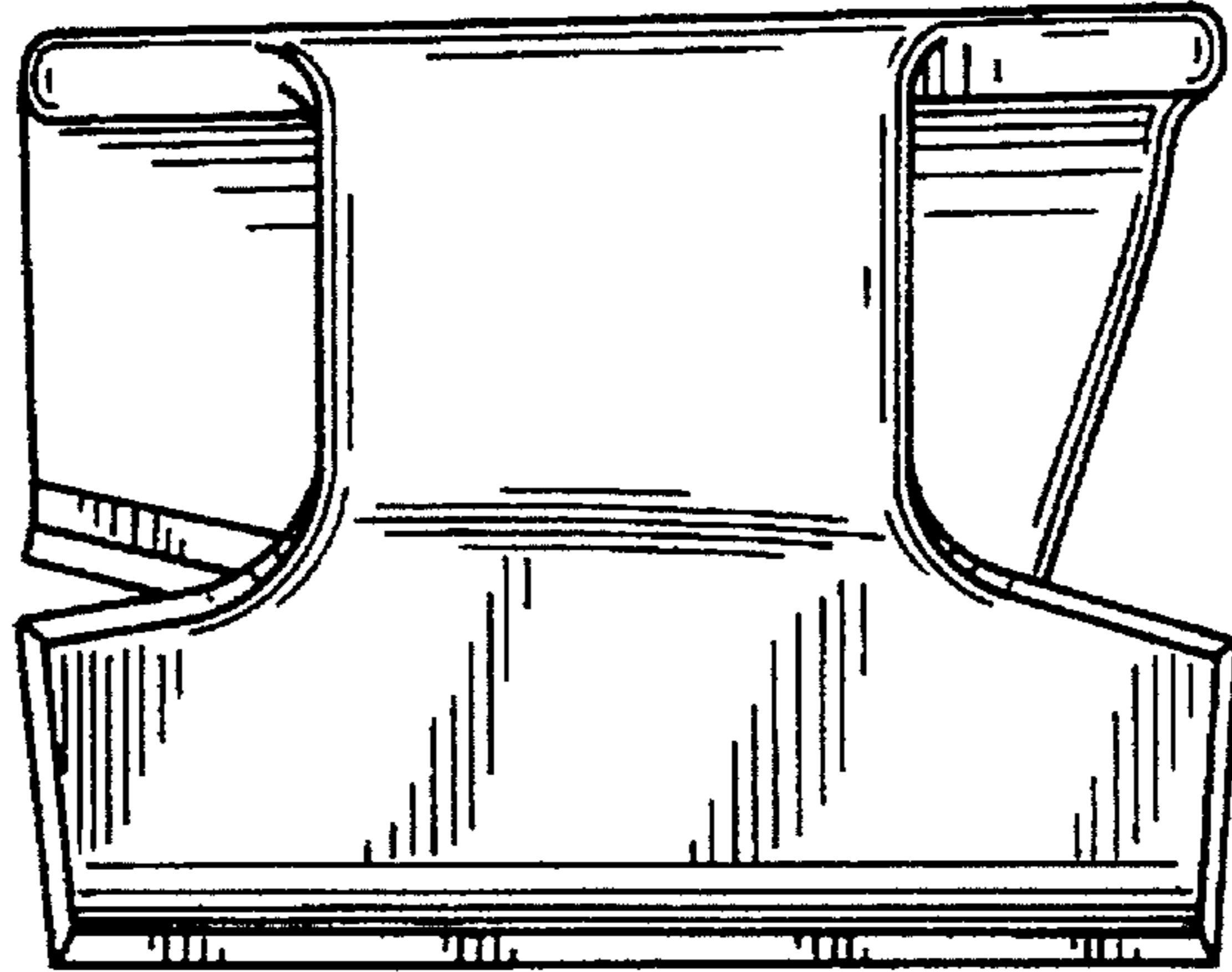


FIG. 3

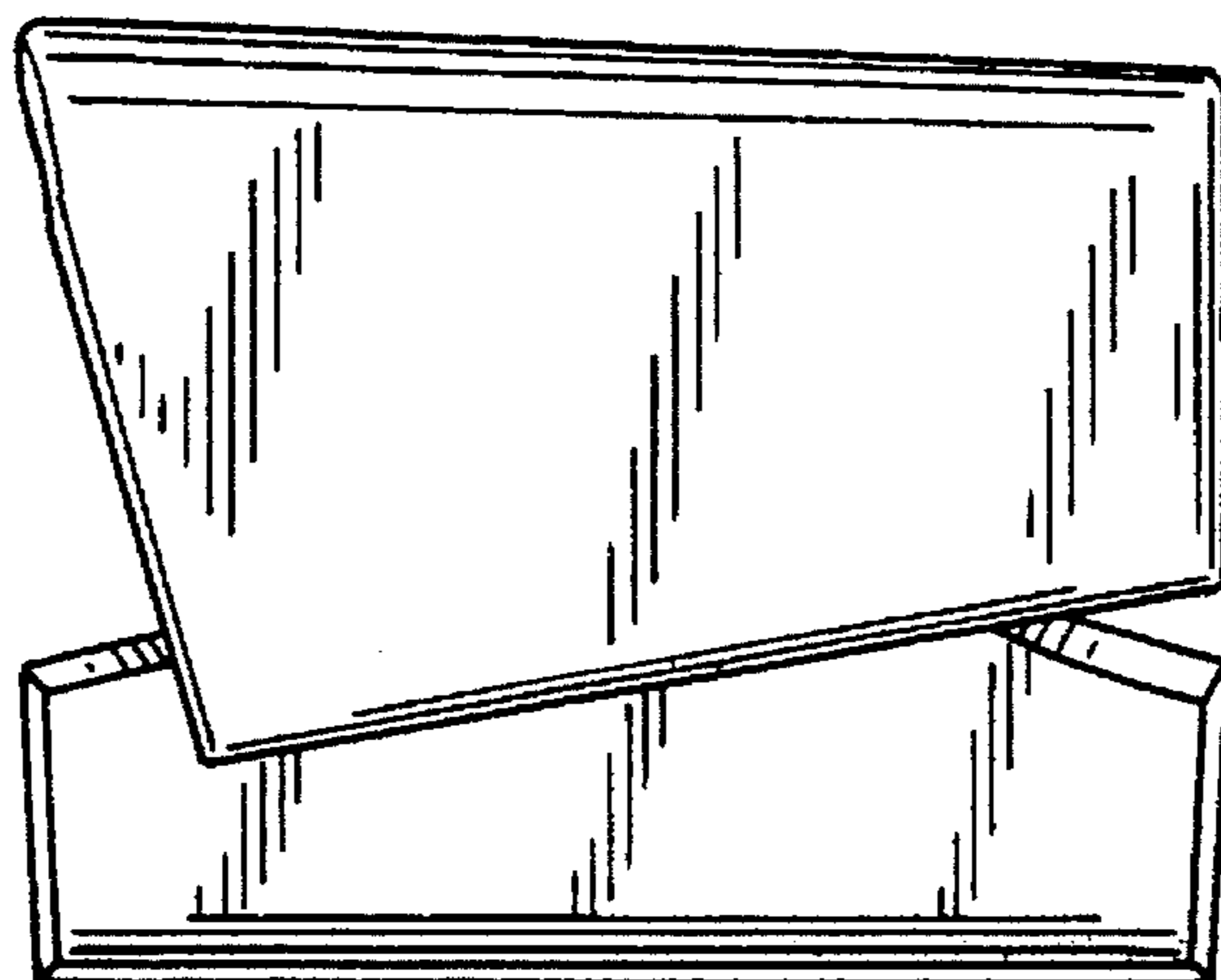


FIG. 4

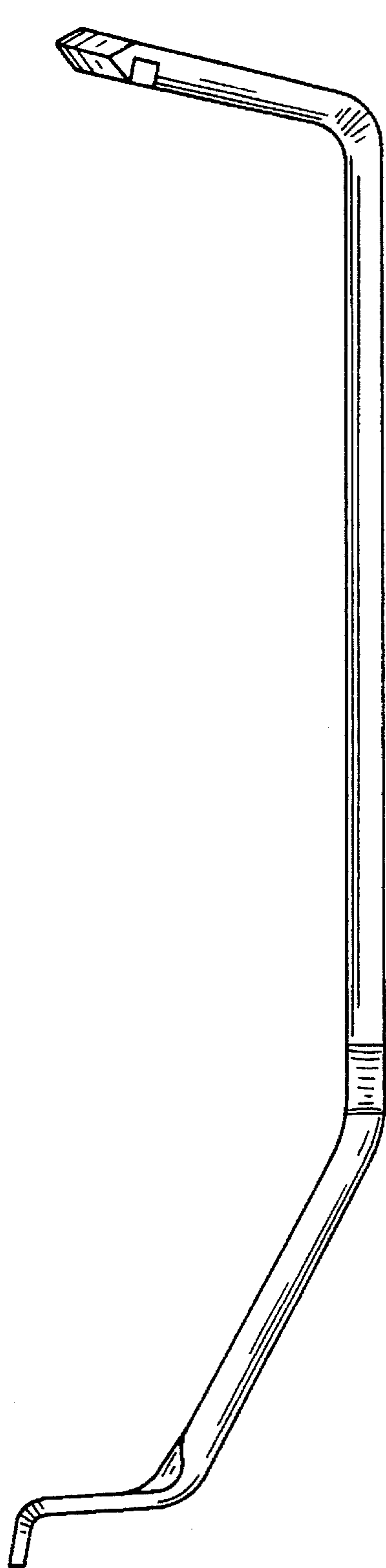


FIG. 5

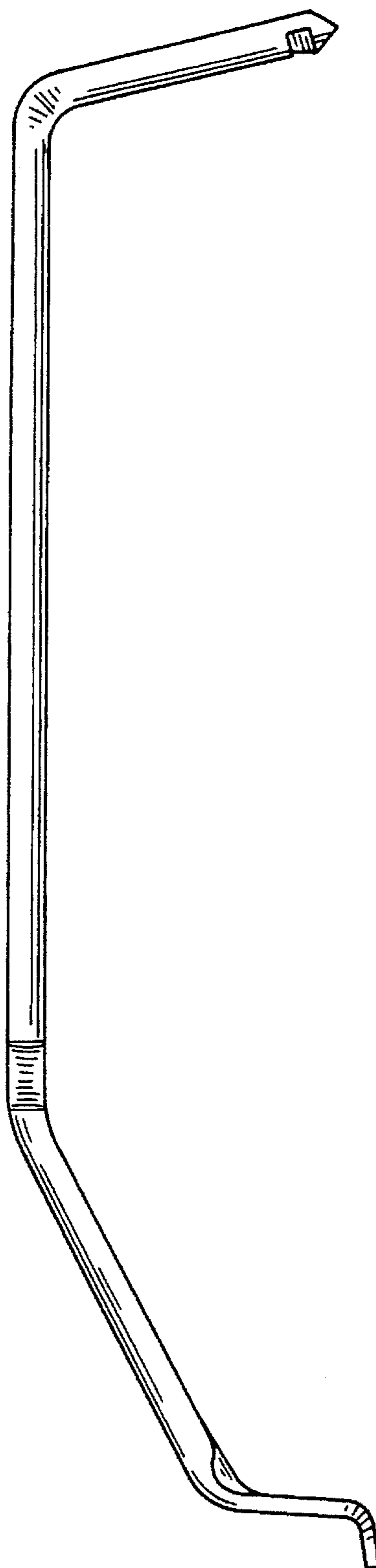


FIG. 6

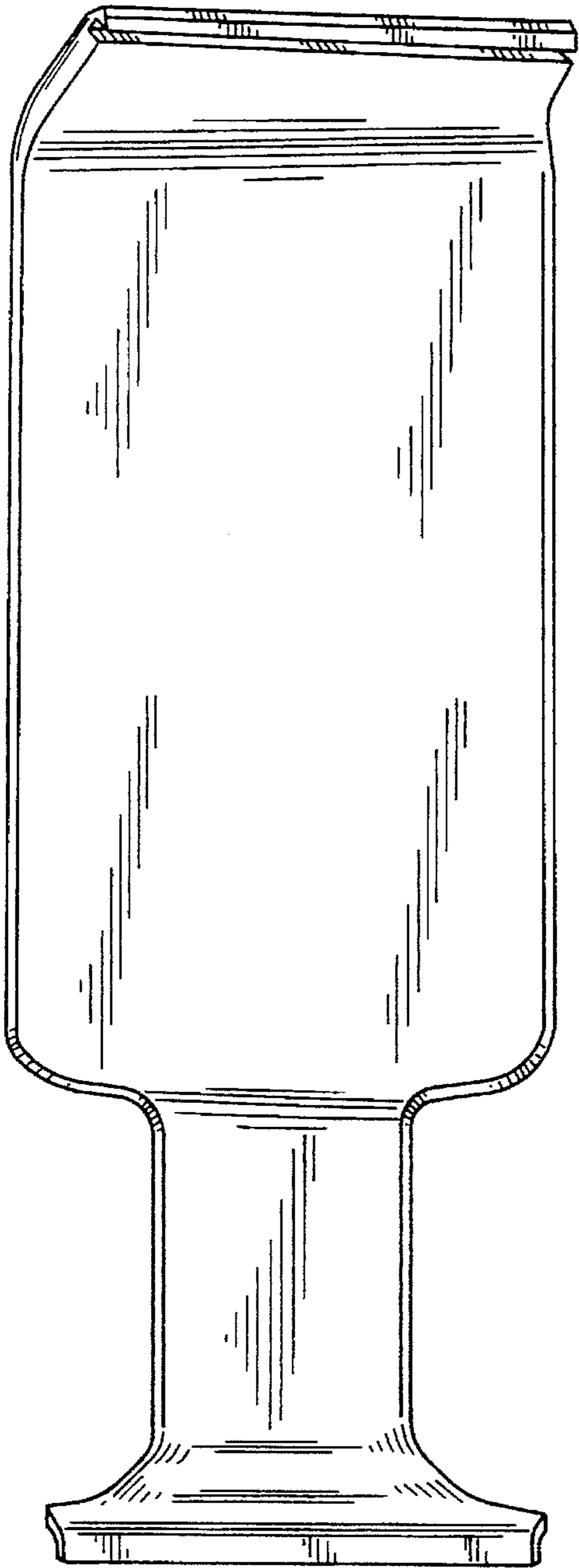


FIG. 7

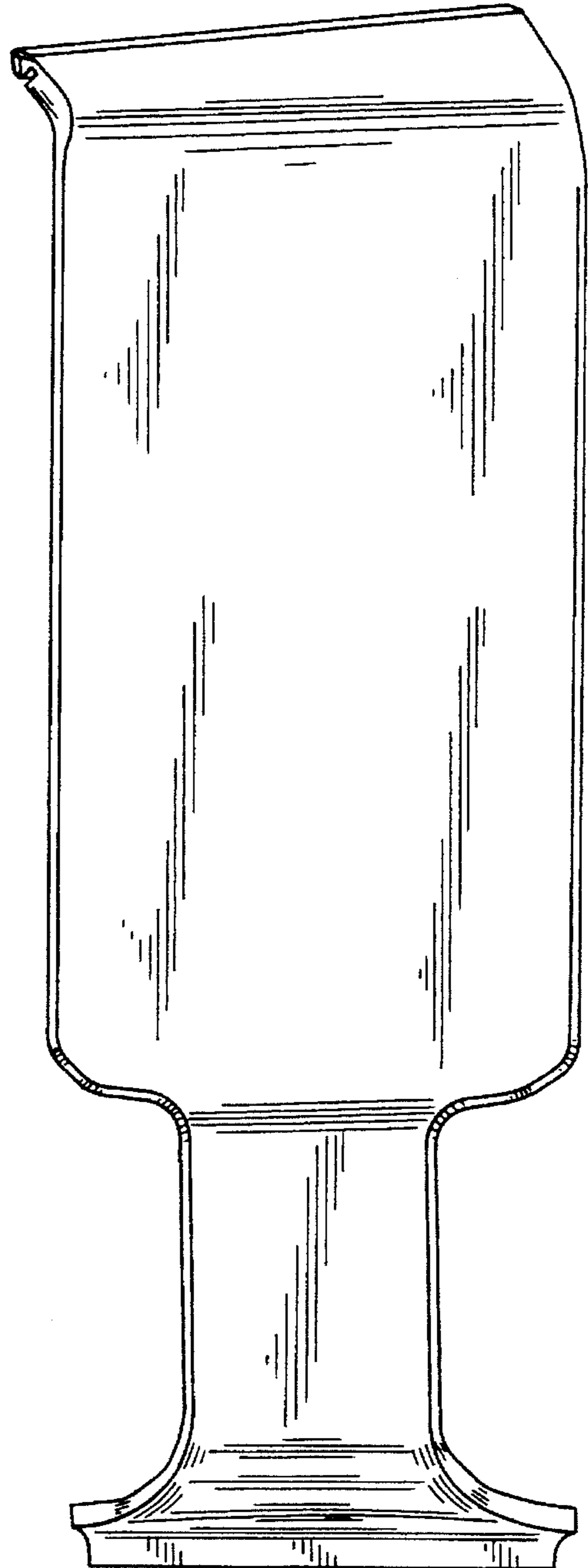


FIG. 8