



US00D376802S

United States Patent [19]

[11] Patent Number: **Des. 376,802**

Asencio

[45] Date of Patent: ****Dec. 24, 1996**

[54] **SPEAKER ENCLOSURE**

4,235,301 11/1980 Mitchell 181/199 X
4,629,029 12/1986 Guinness 181/199 X

[75] Inventor: **Frankie J. Asencio**, Columbus, Ohio

Primary Examiner—Sandra L. Morris

[73] Assignee: **Network Entertainment Systems, Inc.**,
Columbus, Ohio

Assistant Examiner—Nanda Bondade

Attorney, Agent, or Firm—Frank H. Foster; Kremblas, Foster, Millard & Pollick

[**] Term: **14 Years**

[57] **CLAIM**

[21] Appl. No.: **43,212**

The ornamental design for a speaker enclosure, as shown.

[22] Filed: **Aug. 29, 1995**

DESCRIPTION

[52] U.S. Cl. **D14/213; D14/214; D14/215**

[58] Field of Search D14/204, 207,
D14/209–215, 220; 181/144–145, 147–148,
150, 157, 159, 198–199; 381/24, 88, 90–91,
153, 159, 186, 188

FIG. 1 is a front perspective view of a speaker enclosure showing my new design;

FIG. 2 is a front elevation view thereof;

FIG. 3 is a rear elevation view thereof;

FIG. 4 is a top plan view thereof;

FIG. 5 is a bottom plan view thereof;

FIG. 6 is a right side elevation view thereof; and,

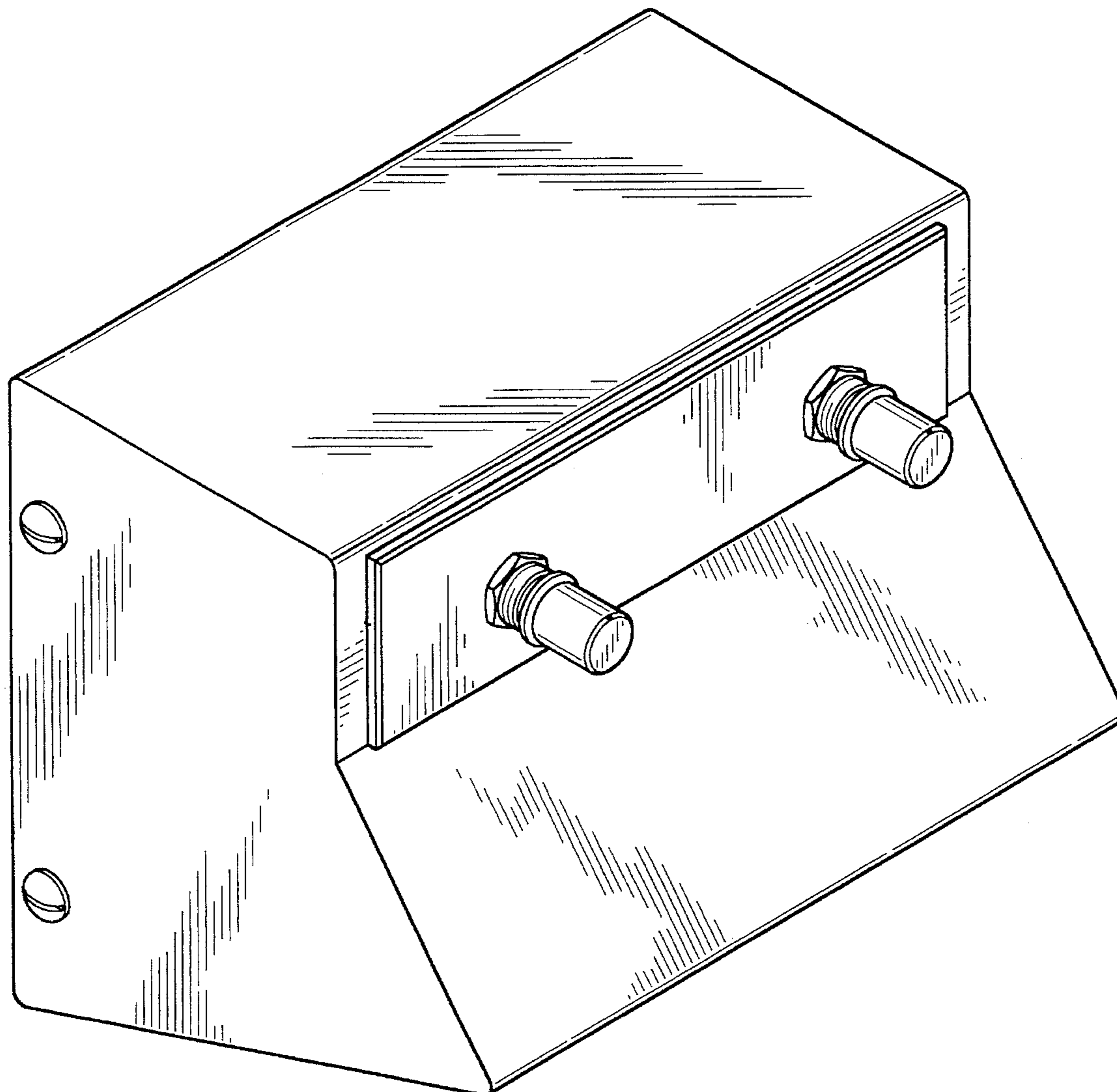
FIG. 7 is a left side elevation view thereof.

[56] **References Cited**

U.S. PATENT DOCUMENTS

D. 201,621 7/1965 Kahn D14/215
D. 276,227 11/1984 Nakamura D14/214
D. 342,949 1/1994 Matsuzaka D14/214

1 Claim, 4 Drawing Sheets



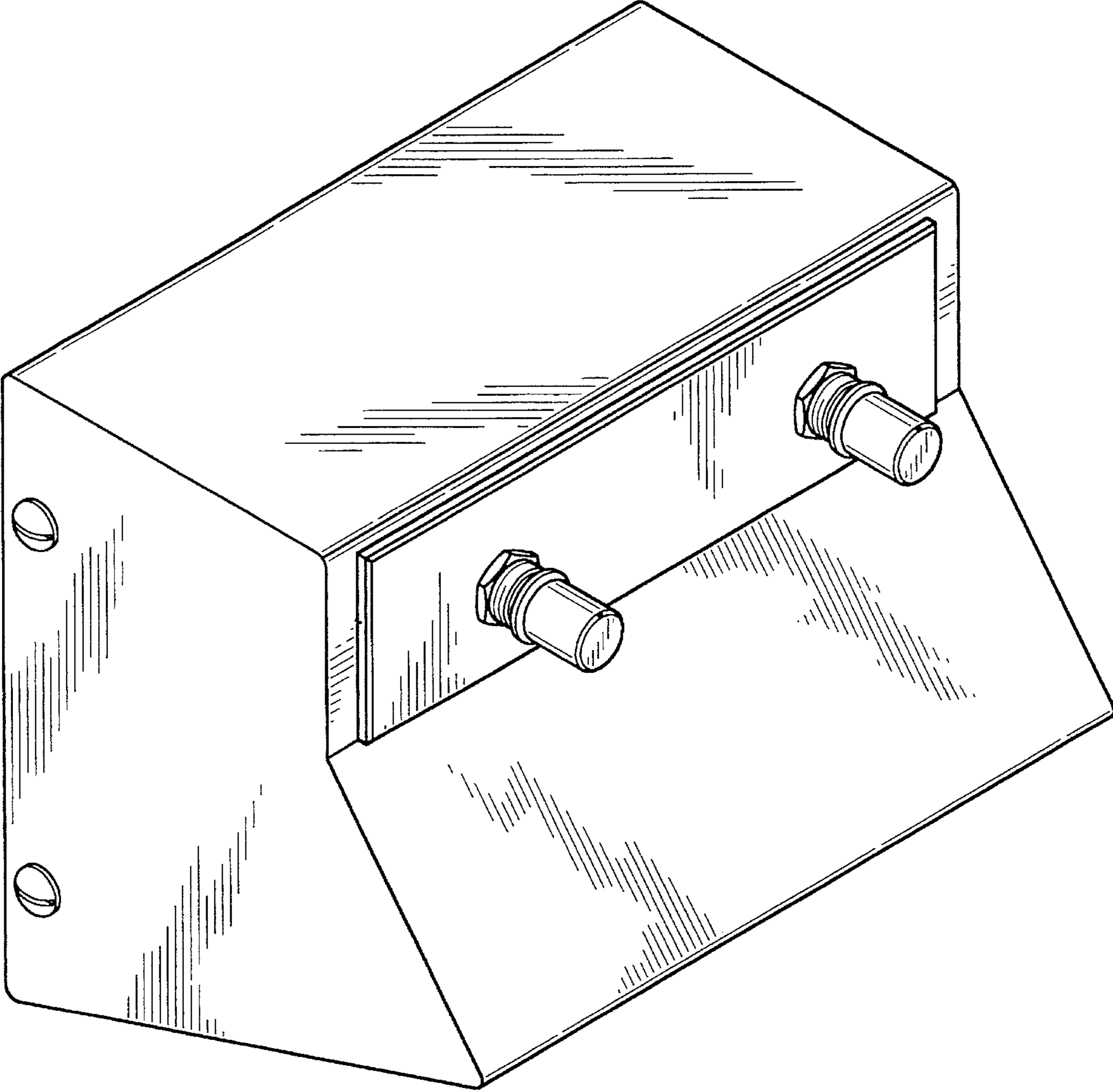


FIG-1

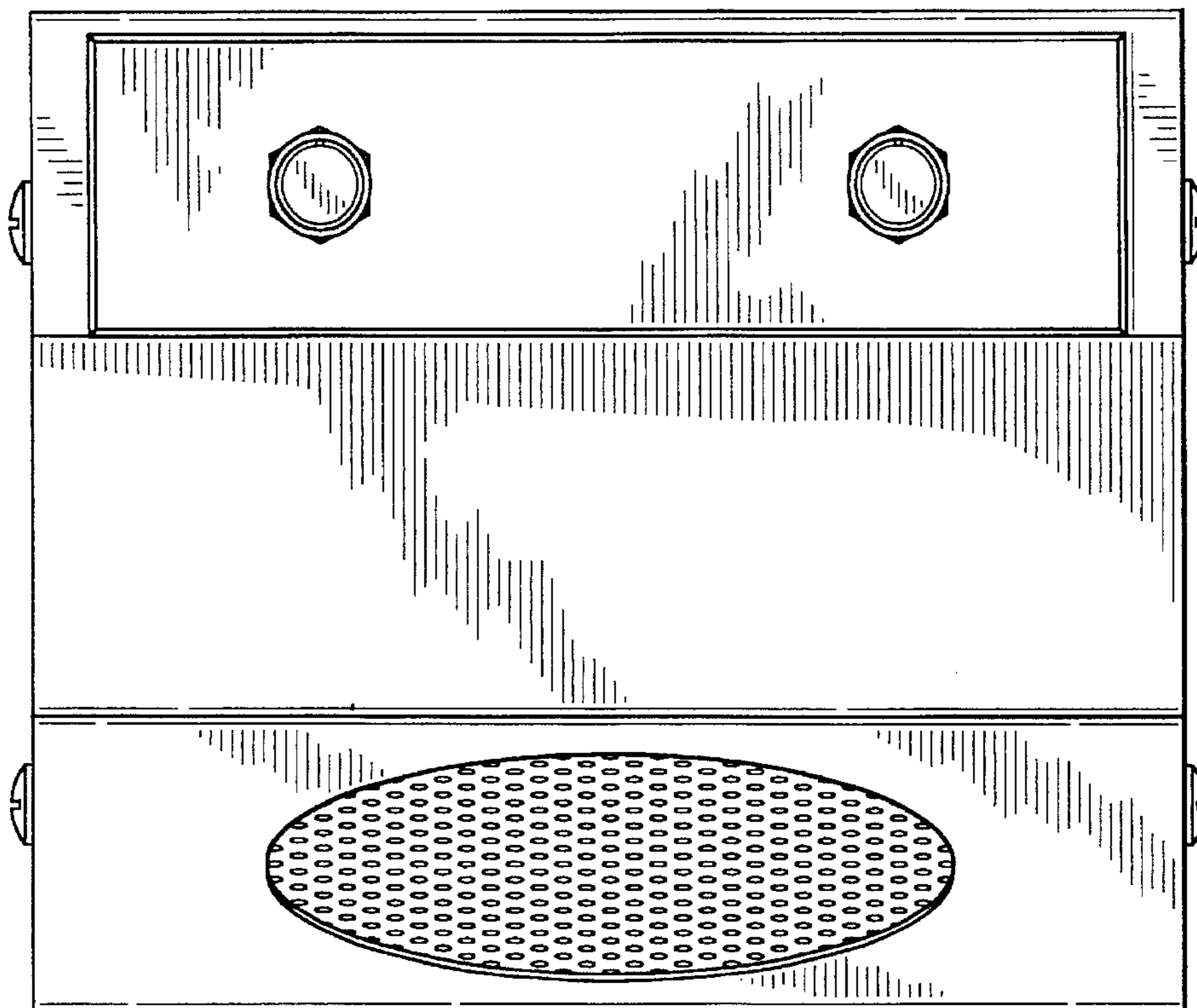


FIG-2

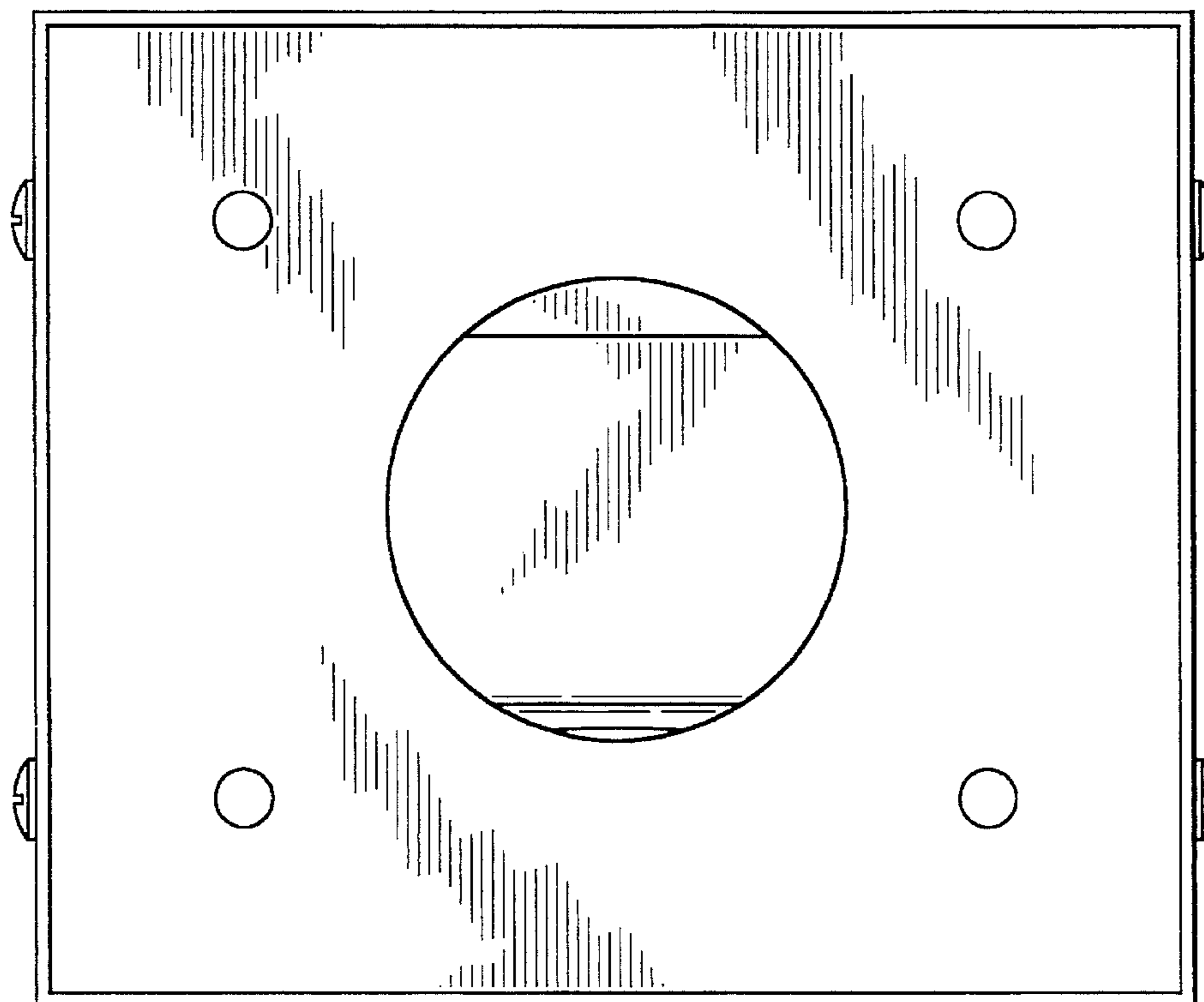


FIG-3

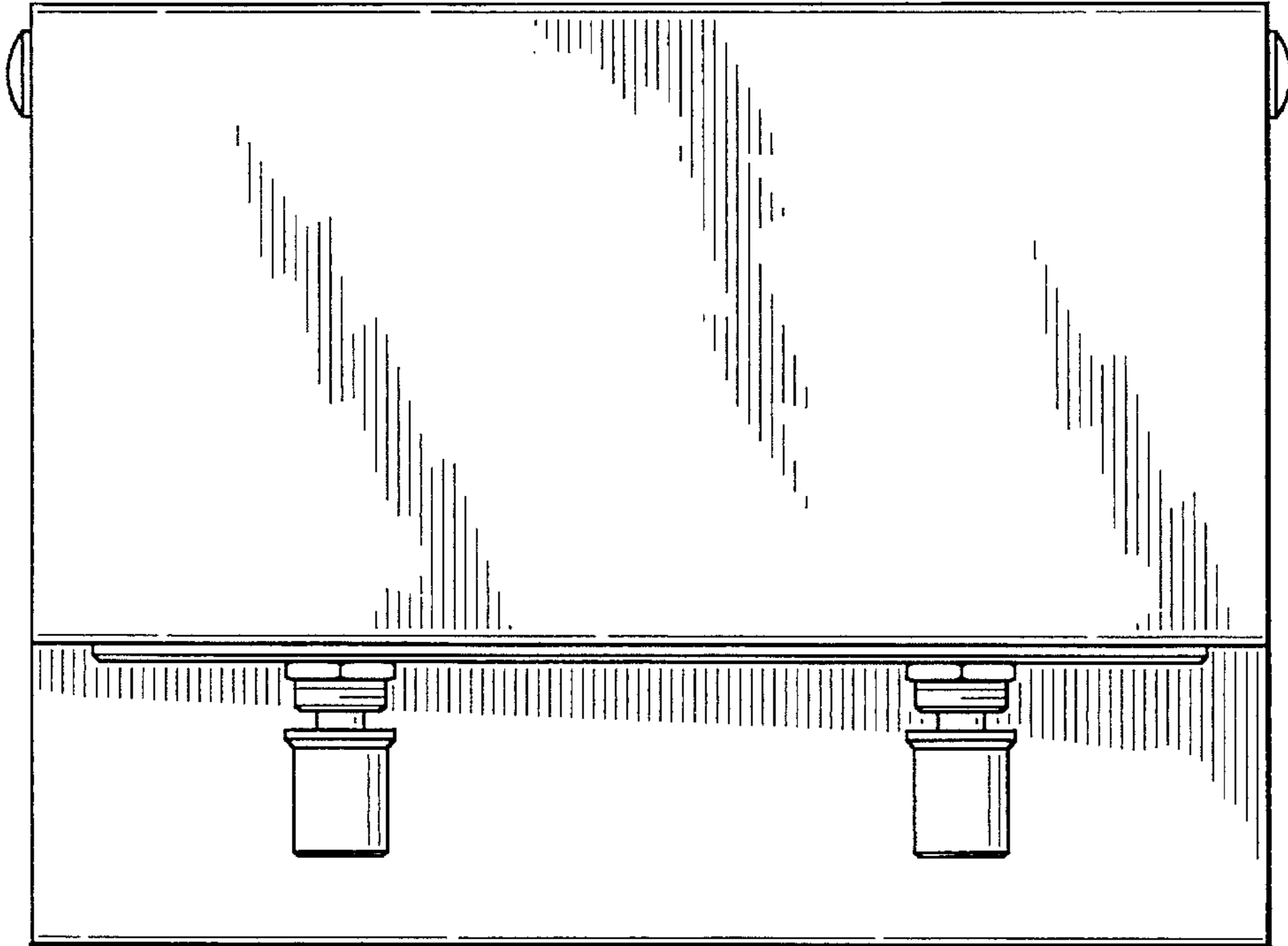


FIG-4

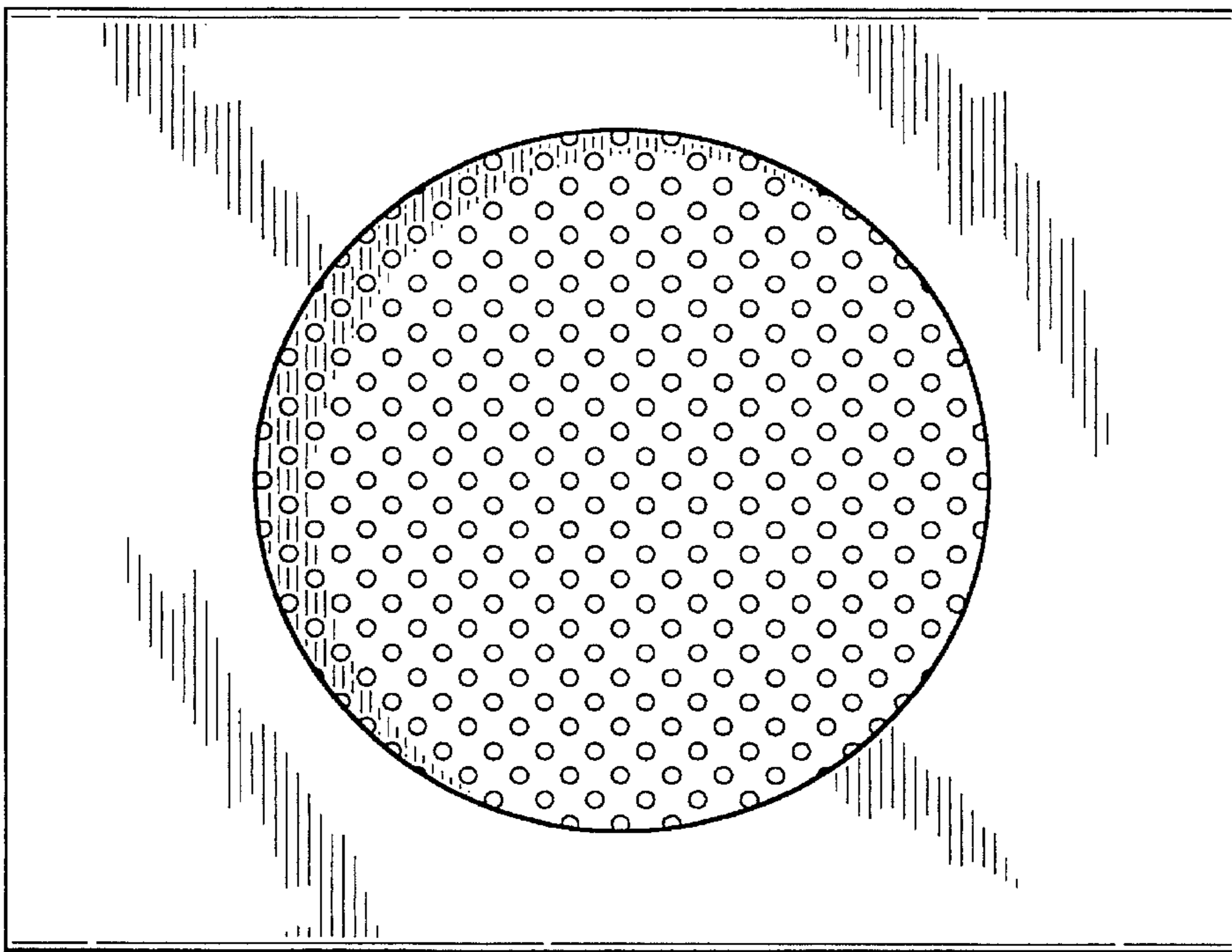


FIG-5

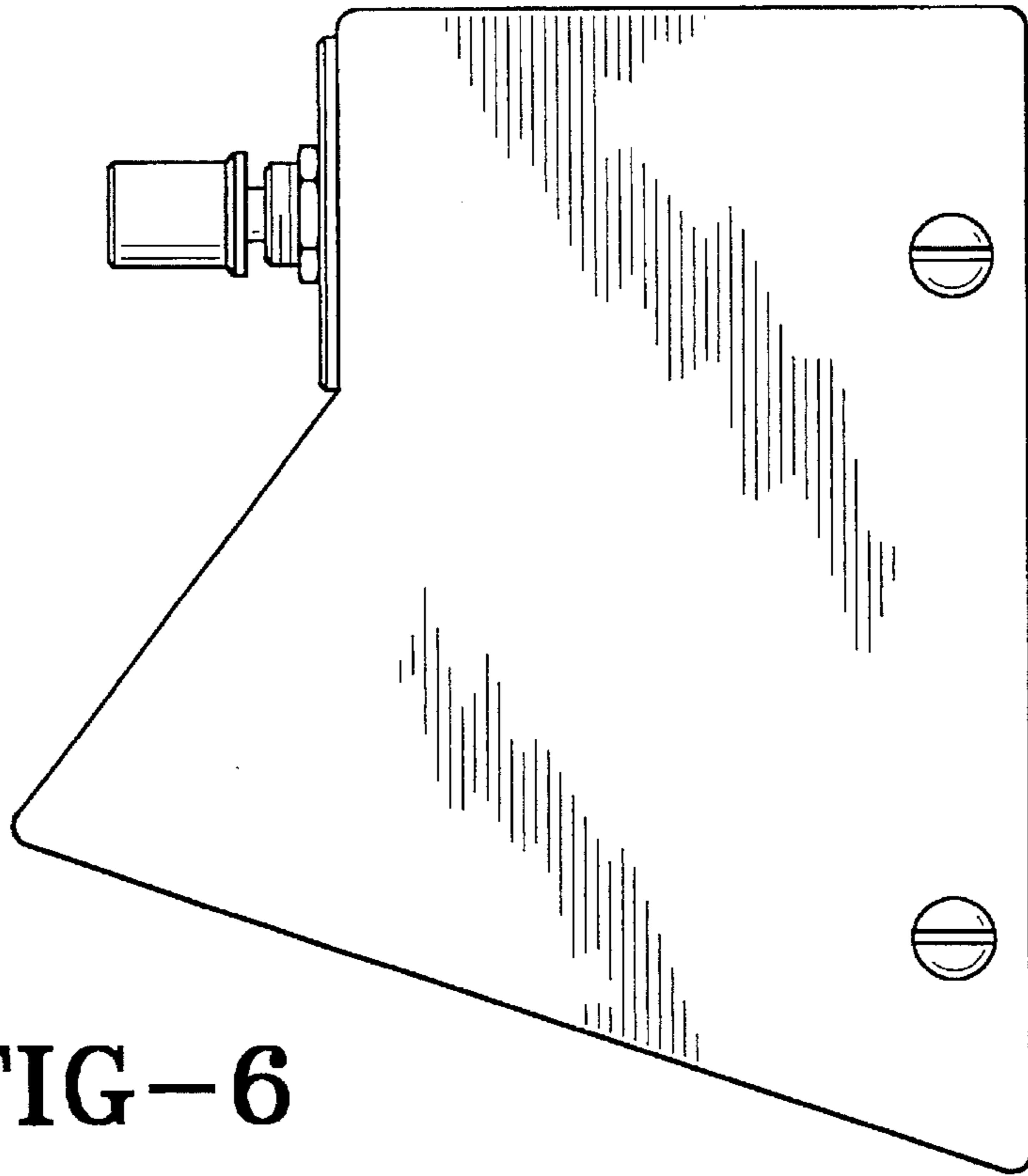


FIG-6

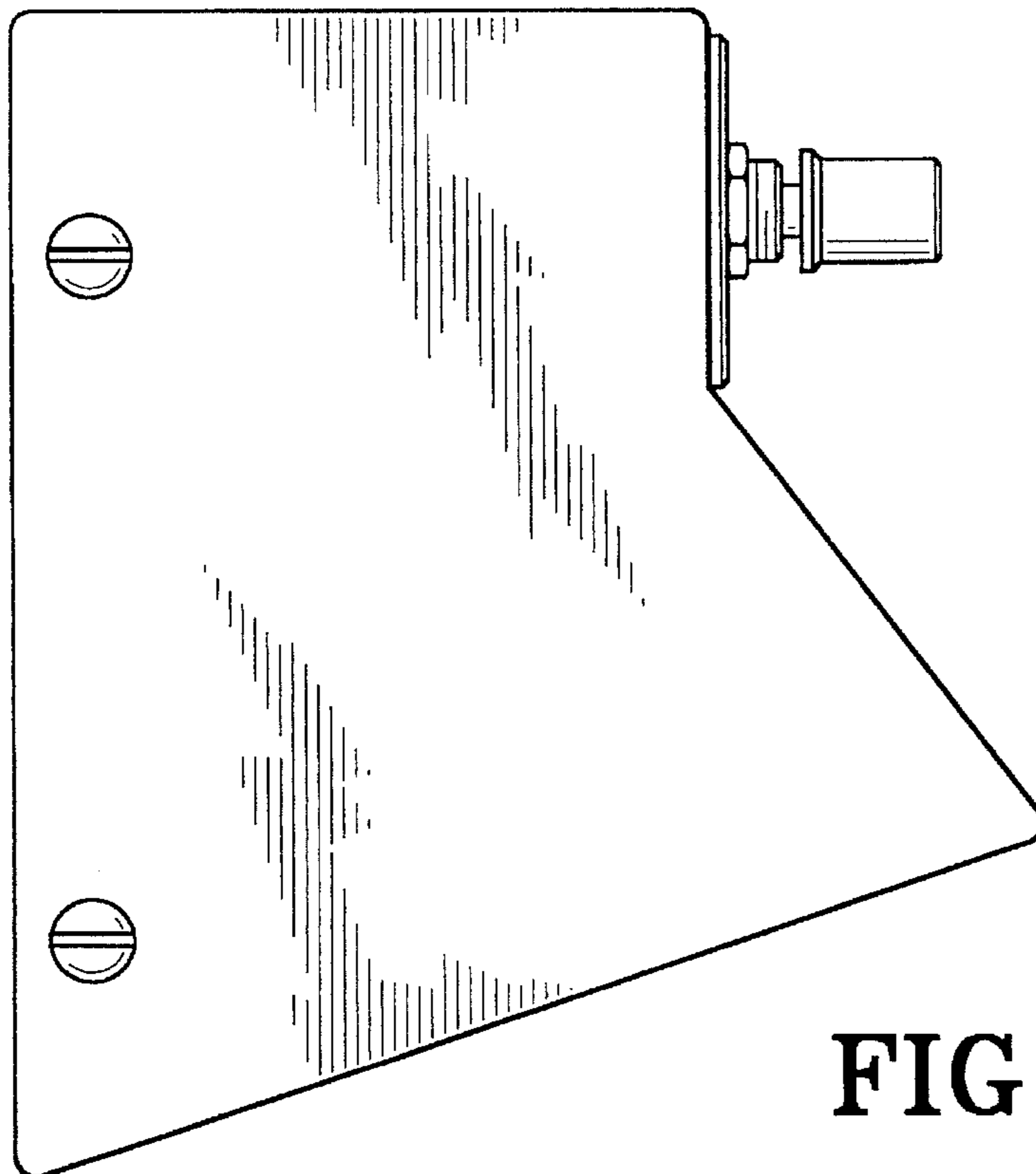


FIG-7