



US00D376796S

United States Patent [19]

Hirasawa

[11] Patent Number: **Des. 376,796**

[45] Date of Patent: ****Dec. 24, 1996**

[54] **RIBBON CASSETTE FOR A VIDEO GAME MACHINE WITH SEAL PRINTER**

[75] Inventor: **Yukinori Hirasawa**, Tokyo, Japan

[73] Assignee: **Casio Computer Co., Ltd.**, Tokyo, Japan

[**] Term: **14 Years**

[21] Appl. No.: **48,440**

[22] Filed: **Dec. 28, 1995**

[52] U.S. Cl. **D14/121; D18/56**

[58] Field of Search D14/120, 121, D14/100, 114, 99, 122; 242/348, 348.4, 341; 273/148 B, 433-438, DIG. 28; 360/132, 133; D21/13, 48; D18/56, 12; 400/208, 234, 194-196

[56] **References Cited**

U.S. PATENT DOCUMENTS

- D. 290,705 7/1987 Yomo D18/56
- D. 296,780 7/1988 Kinoshita D14/121
- D. 332,275 1/1993 Katsuno D14/121

- D. 334,021 3/1993 Nagai et al. D18/56 X
- D. 334,209 3/1993 Katsuno D18/56
- D. 336,902 6/1993 Horikiri D14/121
- D. 361,592 8/1995 Niwano D18/56
- 5,411,339 5/1995 Bahrabadi et al. 400/208 X

Primary Examiner—Prabhakar G. Deshmukh
Attorney, Agent, or Firm—Frishauf, Holtz, Goodman, Langer & Chick

[57] **CLAIM**

The ornamental design for a ribbon cassette for a video game machine with seal printer, as shown.

DESCRIPTION

FIG. 1 is a front elevational view of a ribbon cassette for a video game machine with seal printer showing my new design;

FIG. 2 is a right side elevational view thereof;

FIG. 3 is a left side elevational view thereof;

FIG. 4 is a top plan view thereof;

FIG. 5 is a bottom plan view thereof;

FIG. 6 is a rear elevational view thereof; and,

FIG. 7 is a perspective view thereof.

1 Claim, 2 Drawing Sheets

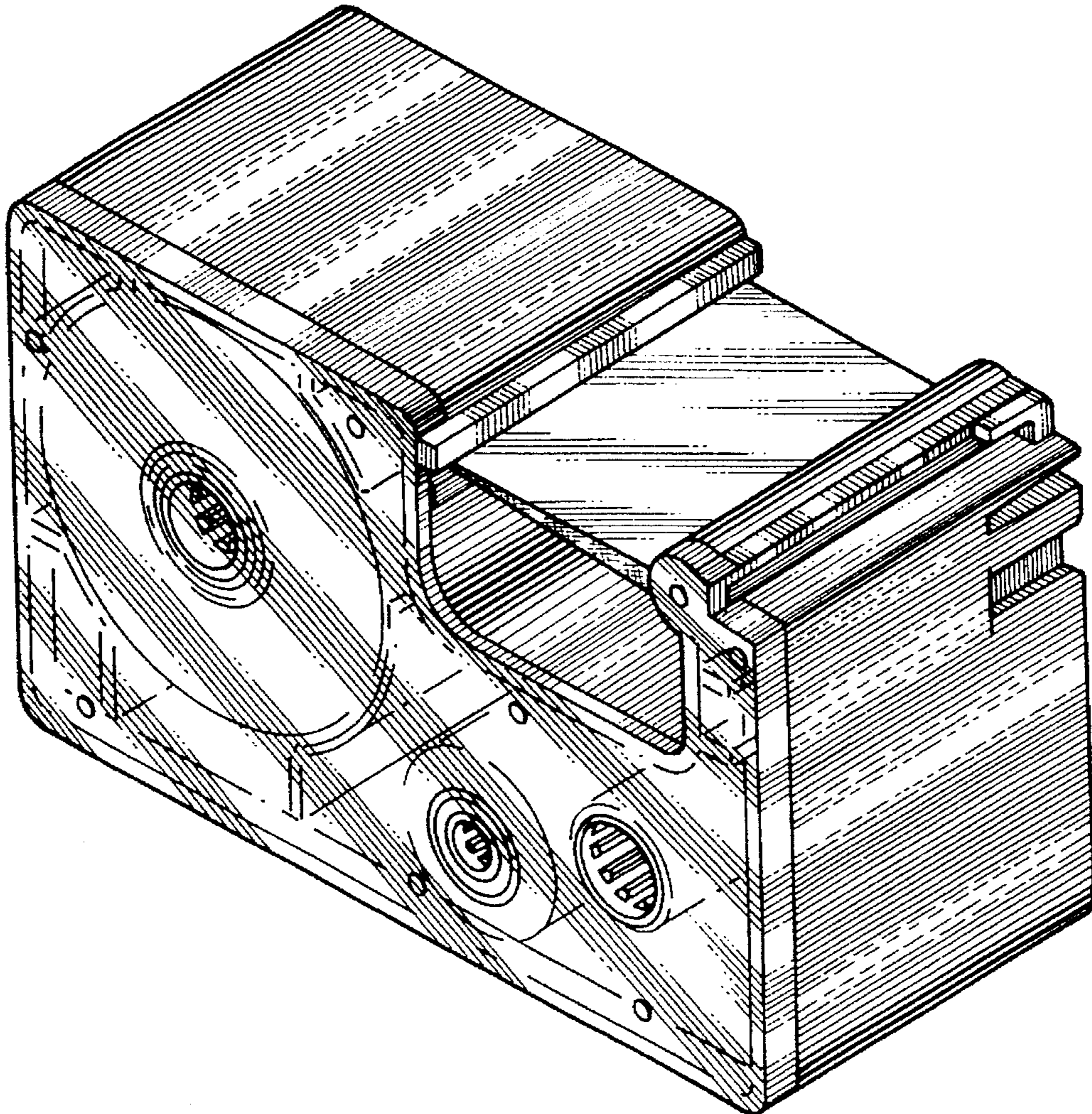


FIG. 2

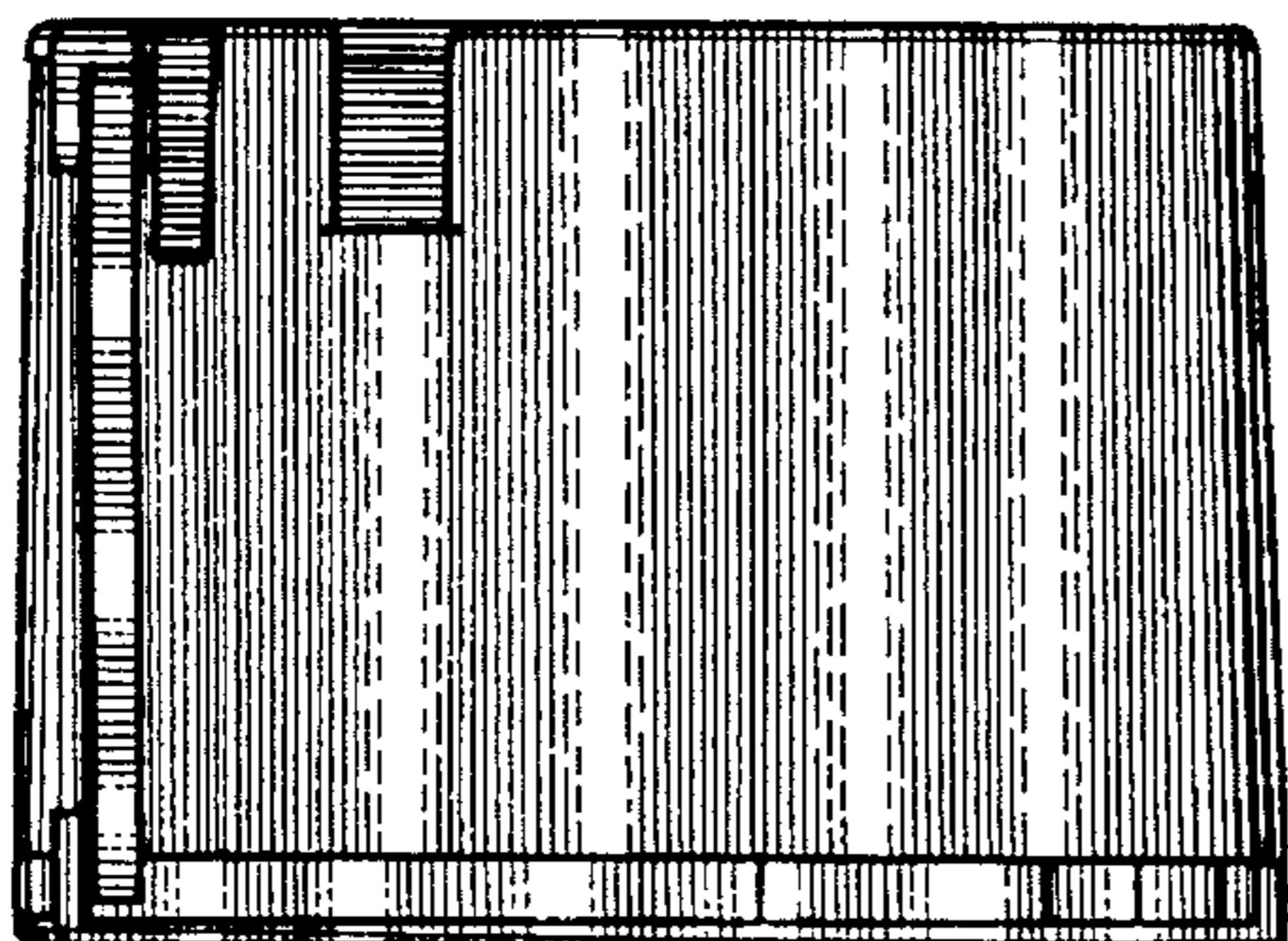


FIG. 3

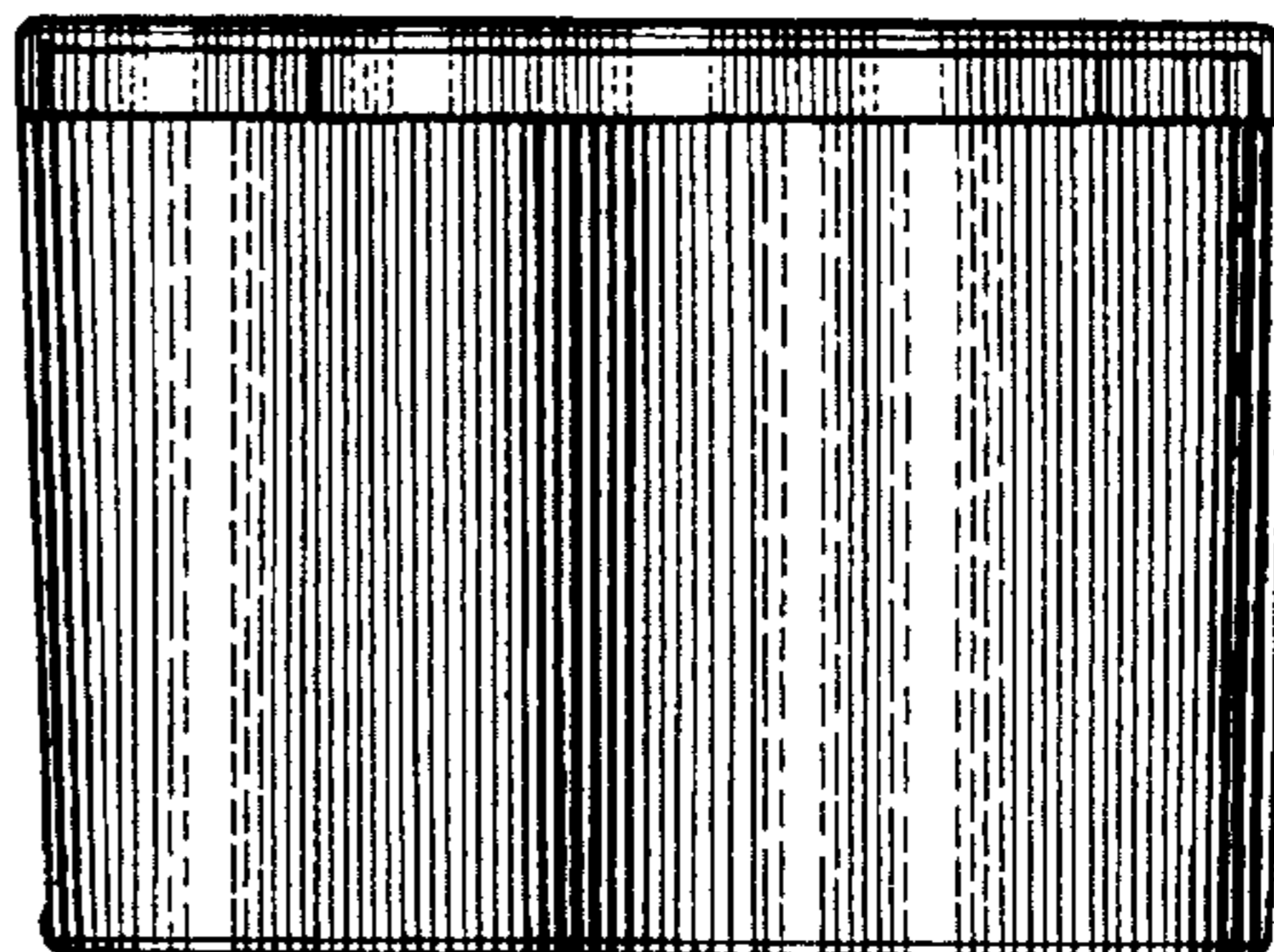


FIG. 1

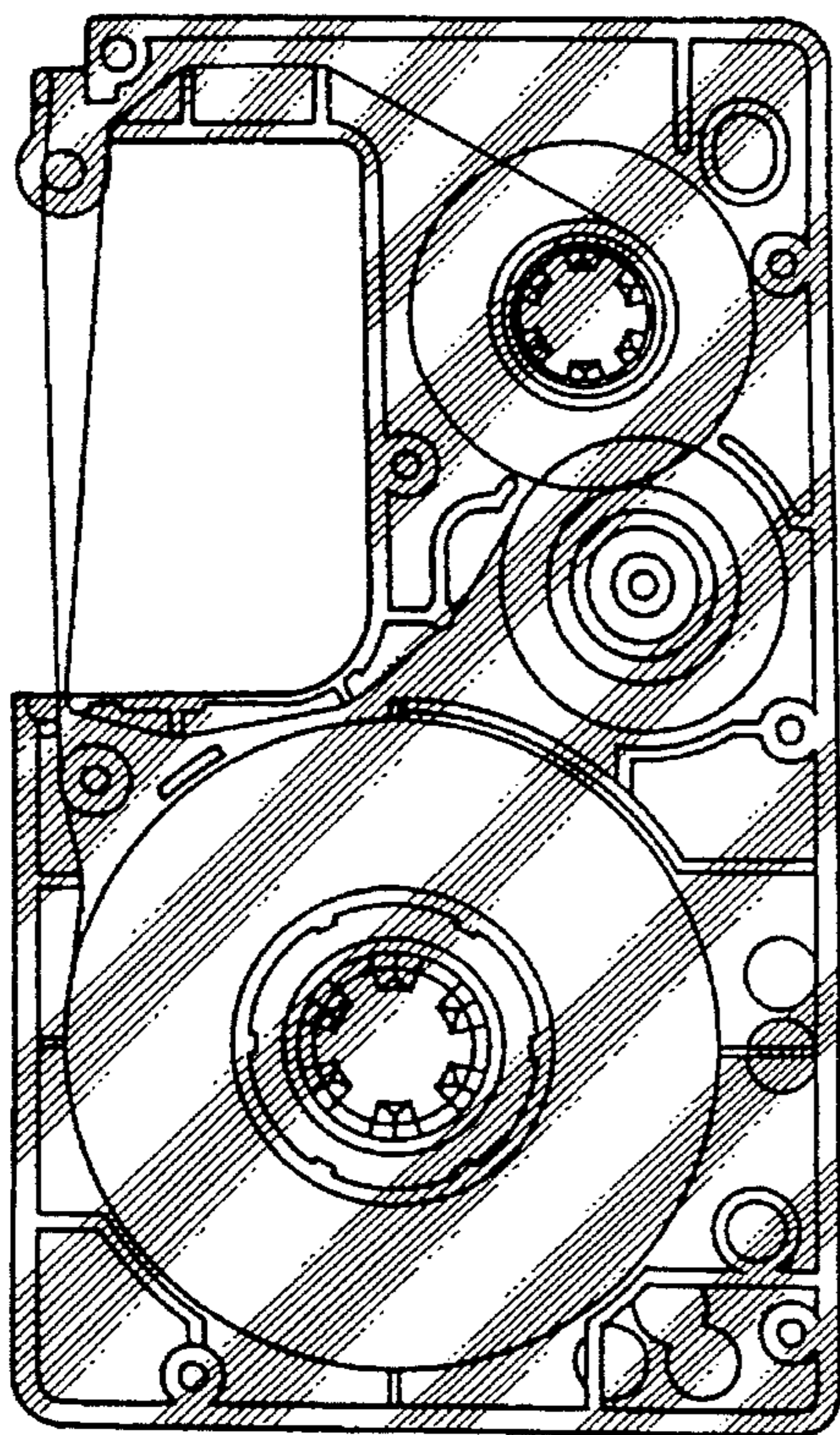
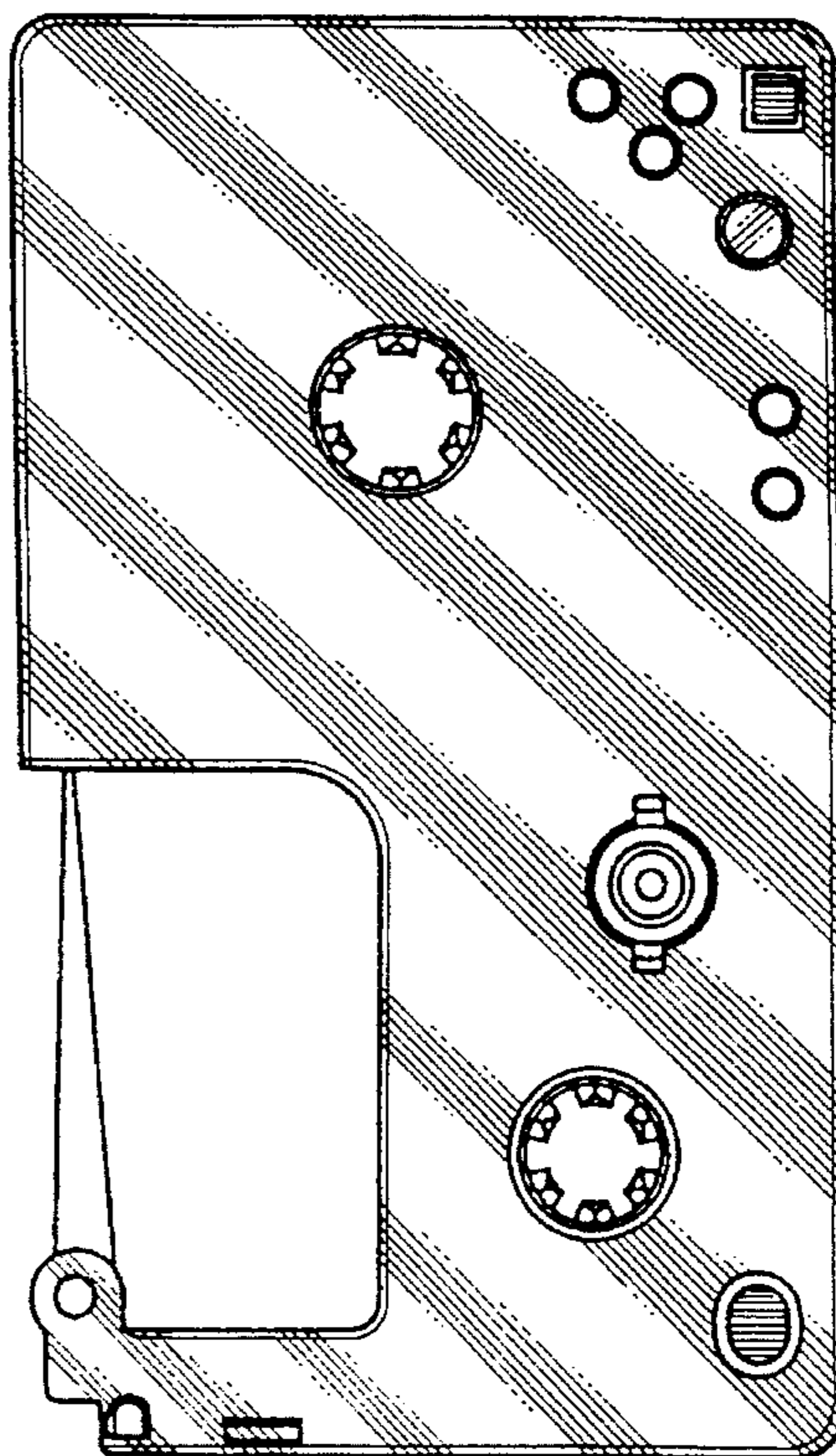


FIG. 6



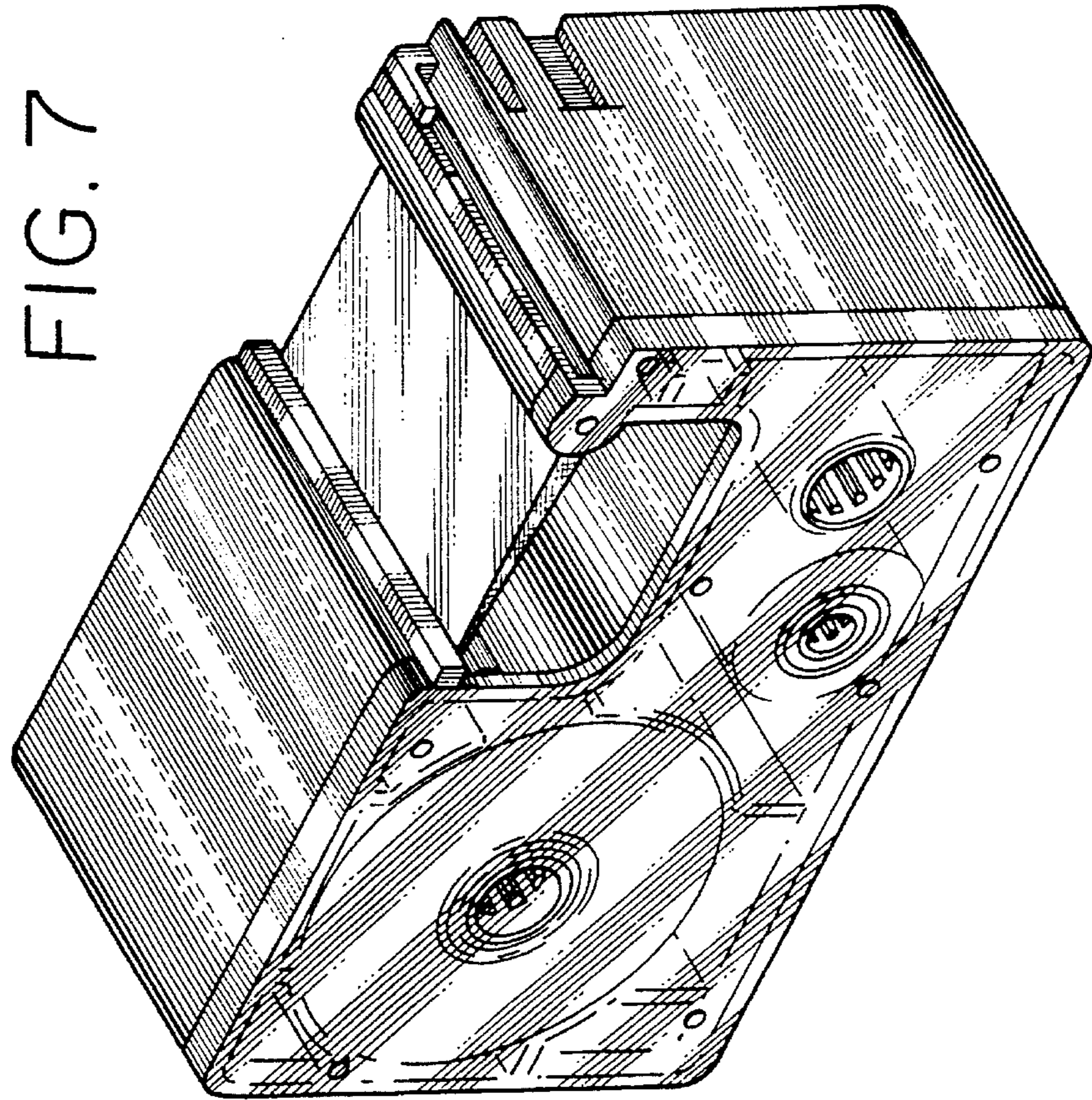


FIG. 7

FIG. 4

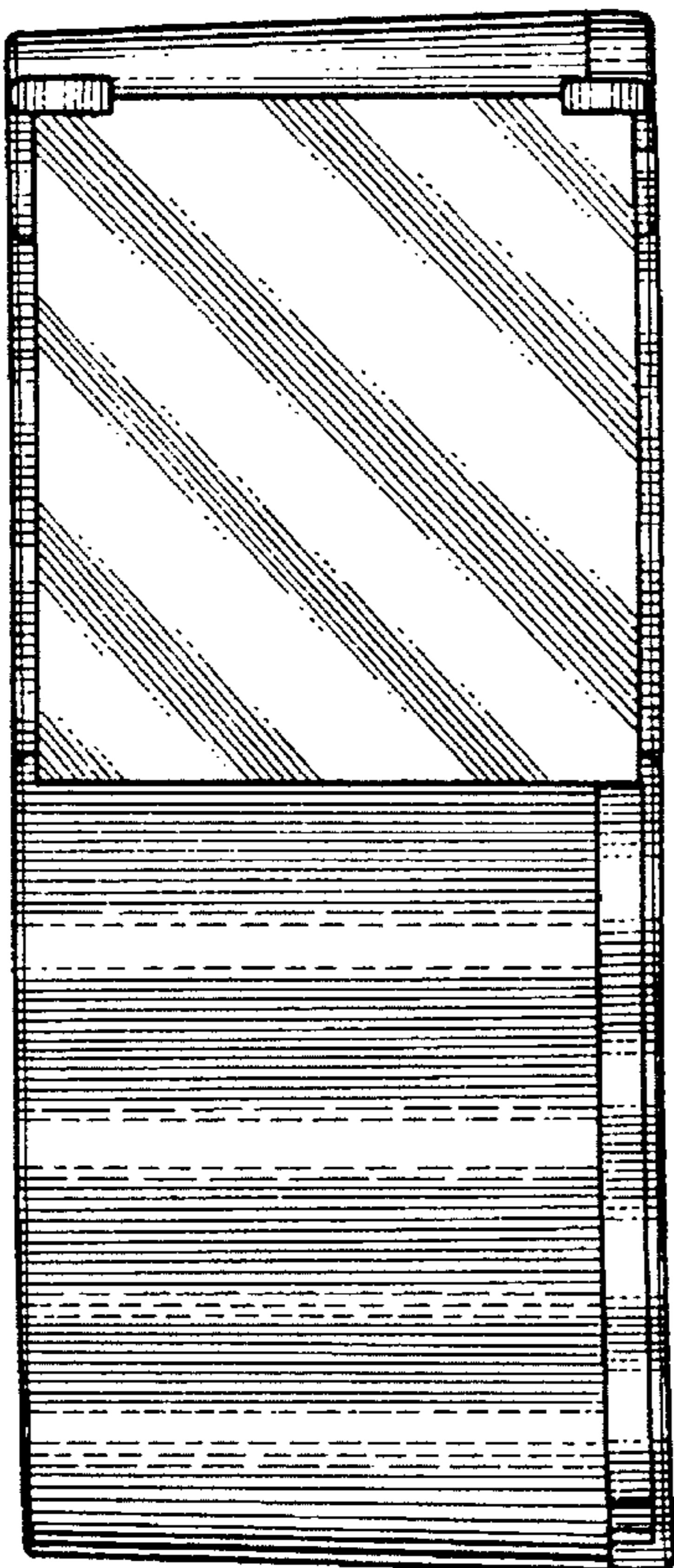


FIG. 5

