



US00D376791S

# United States Patent [19]

[11] Patent Number: **Des. 376,791**

Schreiner

[45] Date of Patent: **\*\*Dec. 24, 1996**

[54] **MOUSE PAD**

[75] Inventor: **Michael J. Schreiner**, Bay Village, Ohio

[73] Assignee: **Hunt Holdings, Inc.**, Wilmington, Del.

[\*\*] Term: **14 Years**

[21] Appl. No.: **924,540**

[22] Filed: **Aug. 4, 1992**

[52] U.S. Cl. .... **D14/114**

[58] Field of Search ..... D7/388; D14/114; D6/582-4; D20/22; 340/709-10; 248/118.1; 400/689-93, 715

[56] **References Cited**

### U.S. PATENT DOCUMENTS

D. 265,704	8/1982	Yamamoto et al. ....	D6/583
D. 285,203	8/1986	Milroy et al. ....	D14/114
D. 309,450	7/1990	Hassel et al. ....	D14/114
D. 338,195	8/1993	Sugerman .....	D14/114
1,861,669	5/1932	Van Sickle .	
2,720,660	10/1955	Smith .....	5/630 X
4,481,556	11/1984	Berke et al. ....	361/365 C
4,482,063	11/1984	Berke et al. ....	211/69.1
4,545,554	10/1985	Latino et al. ....	248/118.1
4,621,781	11/1986	Springer .....	248/118
4,688,862	8/1987	Fowler et al. ....	312/325
4,709,972	12/1987	LaBudde et al. ....	312/206
4,834,502	5/1989	Bristol et al. ....	D14/114 X
4,913,309	4/1990	Fink .....	220/404
4,973,176	11/1990	Dietrich .....	400/715
4,976,407	12/1990	Schwartz et al. ....	248/118.3
5,040,757	8/1991	Benaway .....	248/118.3
5,048,784	9/1991	Schwartz et al. ....	248/295.1
5,050,826	9/1991	Johnston .....	248/118.1
5,056,743	10/1991	Zwar et al. ....	248/118
5,056,753	10/1991	Lunau et al. ....	248/218.4
5,058,840	10/1991	Moss et al. ....	248/118.5

5,072,905	12/1991	Hyatt .....	248/118
5,074,511	12/1991	Wilson .....	248/346
5,088,668	2/1992	Grimm .....	248/118.3
5,125,606	6/1992	Cassano et al. ....	248/118
5,131,614	7/1992	Garcia et al. ....	248/118
5,162,781	11/1992	Cambridge .....	340/710
5,165,630	11/1992	Connor .....	248/118.1

### OTHER PUBLICATIONS

Business Land Catalog item Mouse Pad, p. 54, 1989.  
Global Computer Supply item Mouse Pad, p. 47, Jul. 1989.

*Primary Examiner*—M. H. Tung  
*Attorney, Agent, or Firm*—Synnestvedt & Lechner

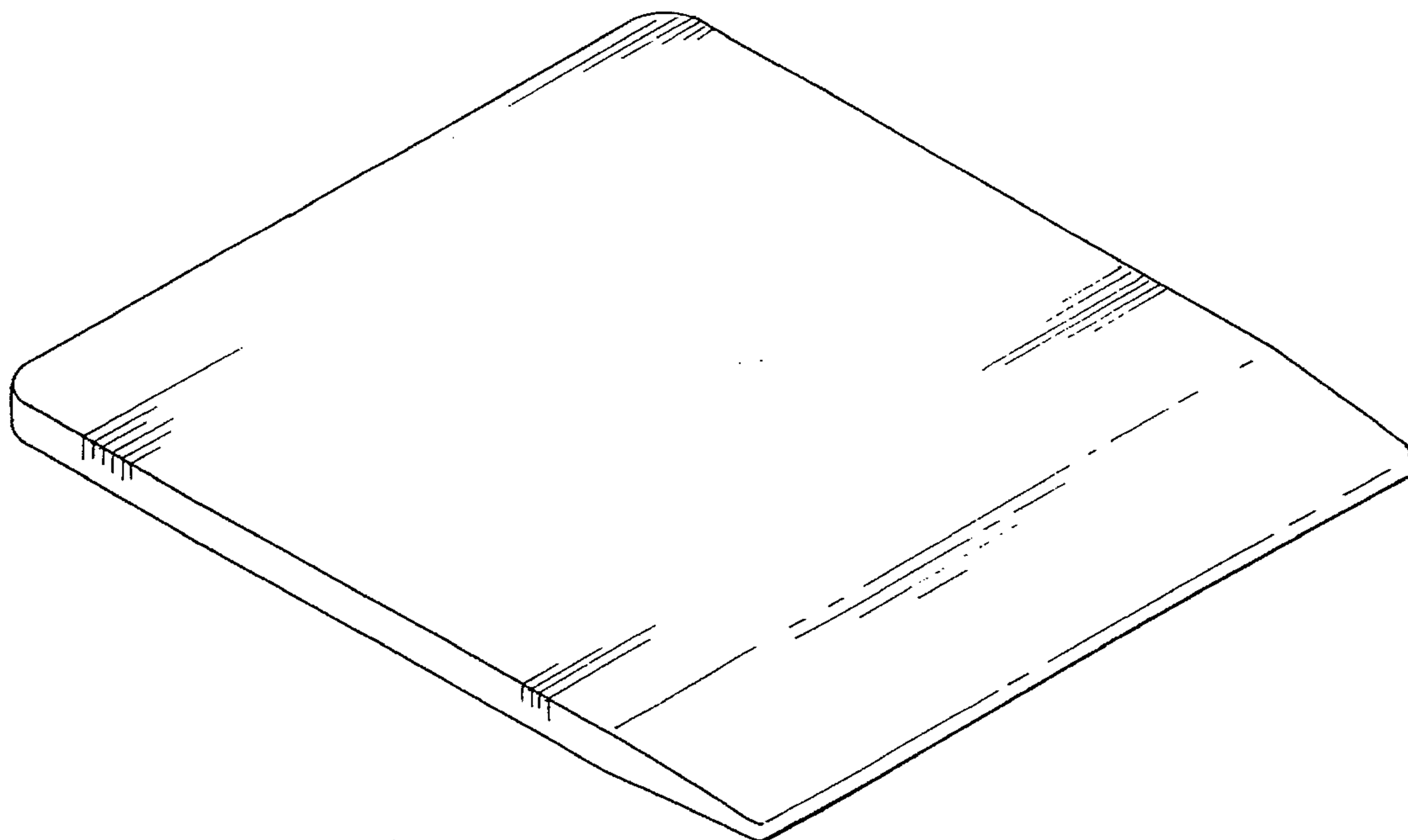
### [57] CLAIM

The ornamental design for a mouse pad, as shown and described.

### DESCRIPTION

FIG. 1 is a top plan view of the ornamental design for a mouse pad of the present invention;  
FIG. 2 is a bottom plan view of the ornamental design for a mouse pad of the present invention;  
FIG. 3 is a perspective view of the ornamental design for a mouse pad of the present invention;  
FIG. 4 is a perspective view of the ornamental design for a mouse pad of the present invention, one corner of the mouse pad bent flexibly upward;  
FIG. 5 is a front elevational view of the ornamental design for a mouse pad of the present invention;  
FIG. 6 is a rear elevational view of the ornamental design for a mouse pad of the present invention; and,  
FIG. 7 is a side elevational view of the ornamental design for a mouse pad of the present invention.  
The broken line drawings in FIGS. 4 and 9 are for illustrative purposes only and form no part of the claimed design.

**1 Claim, 4 Drawing Sheets**



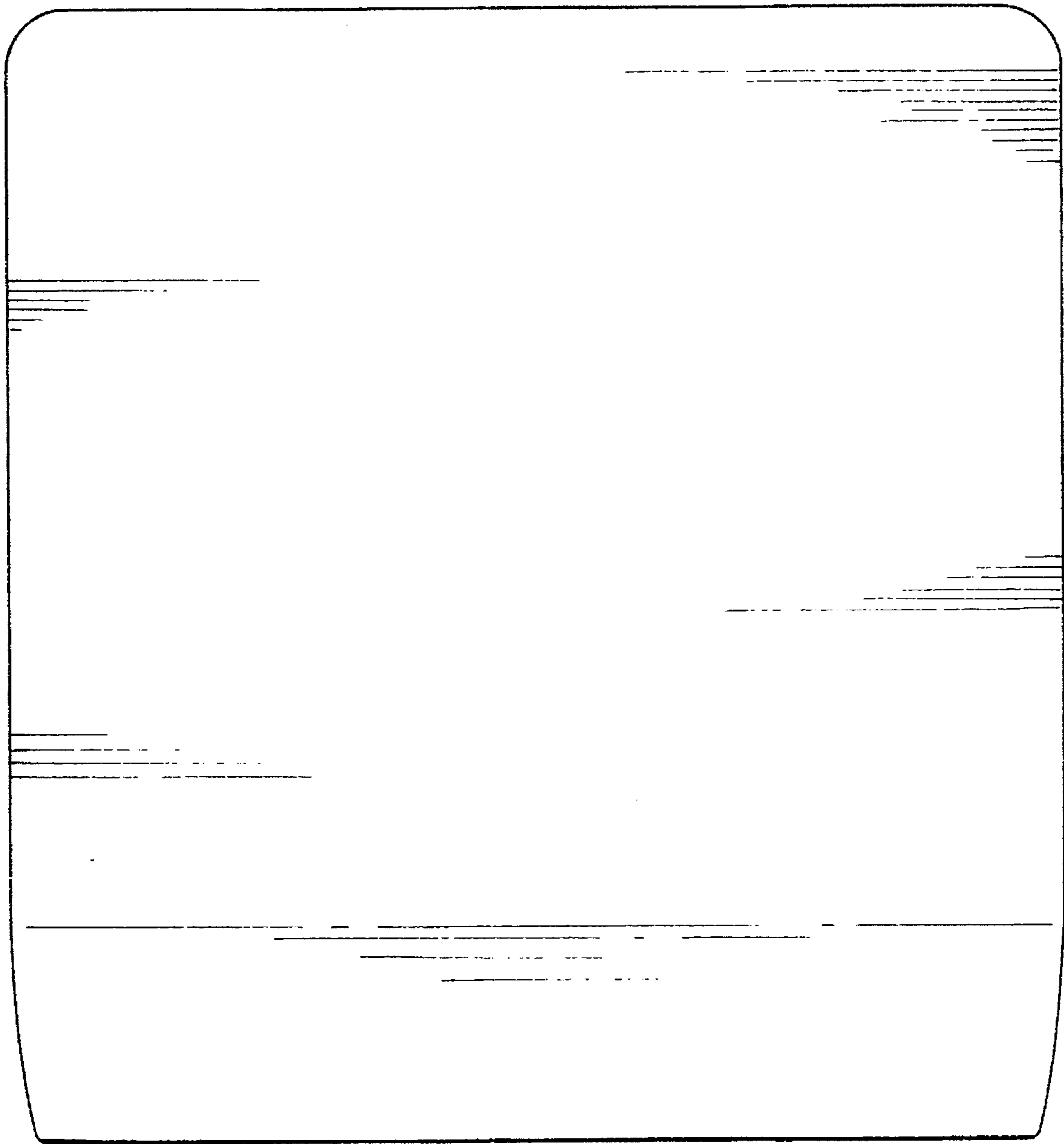


FIG. 1

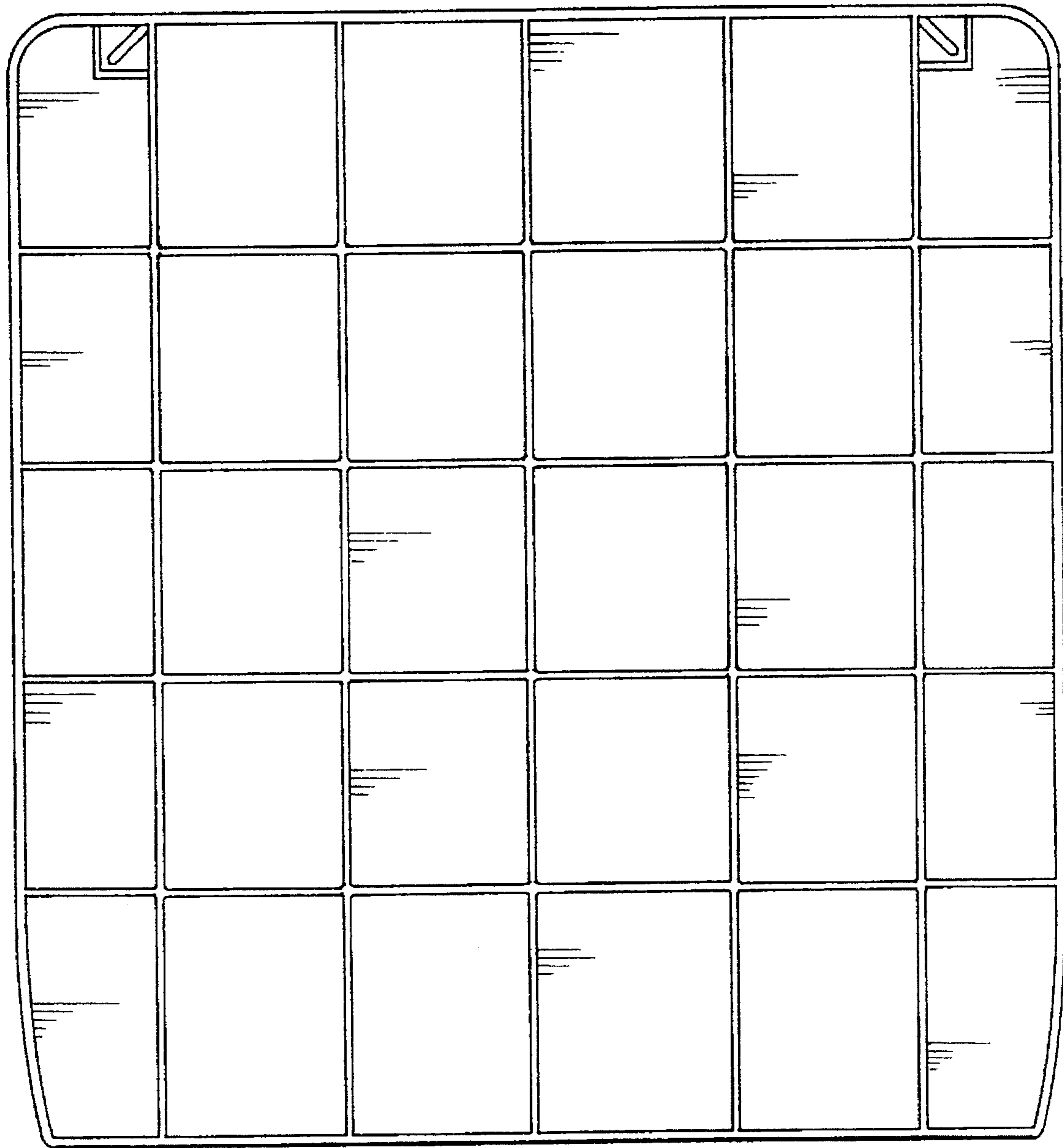


FIG. 2

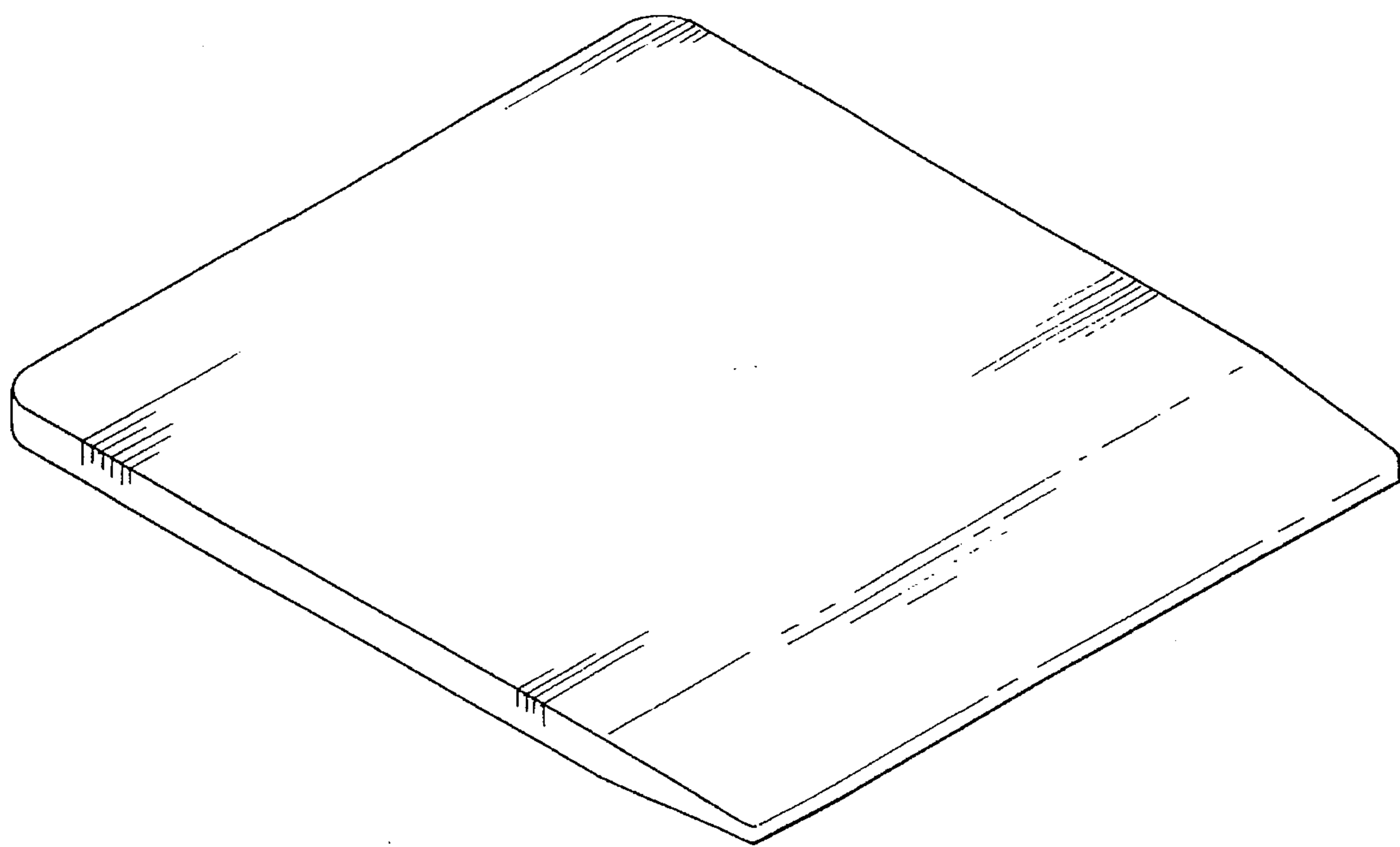


FIG. 3

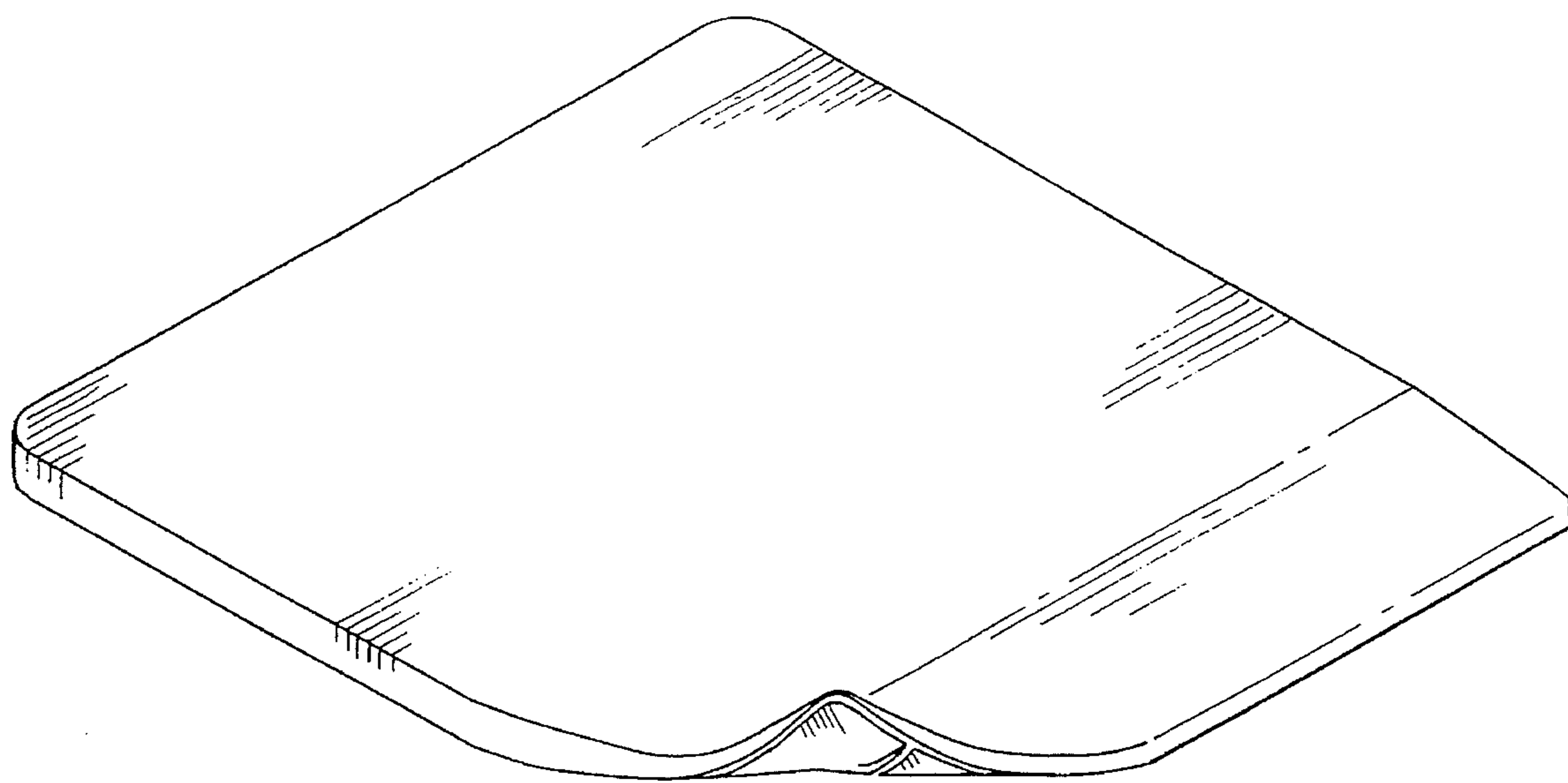


FIG. 4

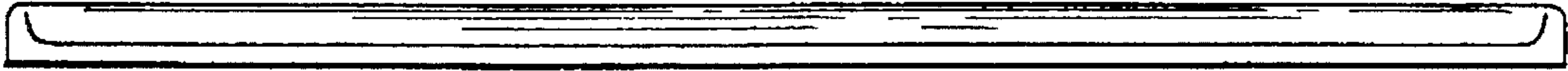


FIG. 5



FIG. 6



FIG. 7