



US00D376783S

# United States Patent [19]

[11] Patent Number: **Des. 376,783**

**Magalhaes**

[45] Date of Patent: **\*\*Dec. 24, 1996**

[54] **AXLE BRAKE**

5,439,081 8/1995 Glass ..... 188/218 X  
5,507,367 4/1996 Dagh et al. .... 188/18 A

[76] Inventor: **Manuel C. Magalhaes**, 9 Saljon Ct.,  
Centereach, N.Y. 11720

*Primary Examiner*—Melody N. Brown  
*Attorney, Agent, or Firm*—Harold H. Dutton, Jr.; W. Charles  
L. Jamison; Diane F. Liebman

[\*\*] Term: **14 Years**

[21] Appl. No.: **41,758**

### [57] CLAIM

[22] Filed: **Jul. 24, 1995**

The ornamental design for an axle brake, as shown.

[52] U.S. Cl. .... **D12/180**

### DESCRIPTION

[58] Field of Search ..... D12/180; 188/18 A,  
188/18 R, 21, 58, 71.5, 71.6, 71.1, 218,  
264 AA, 72.3

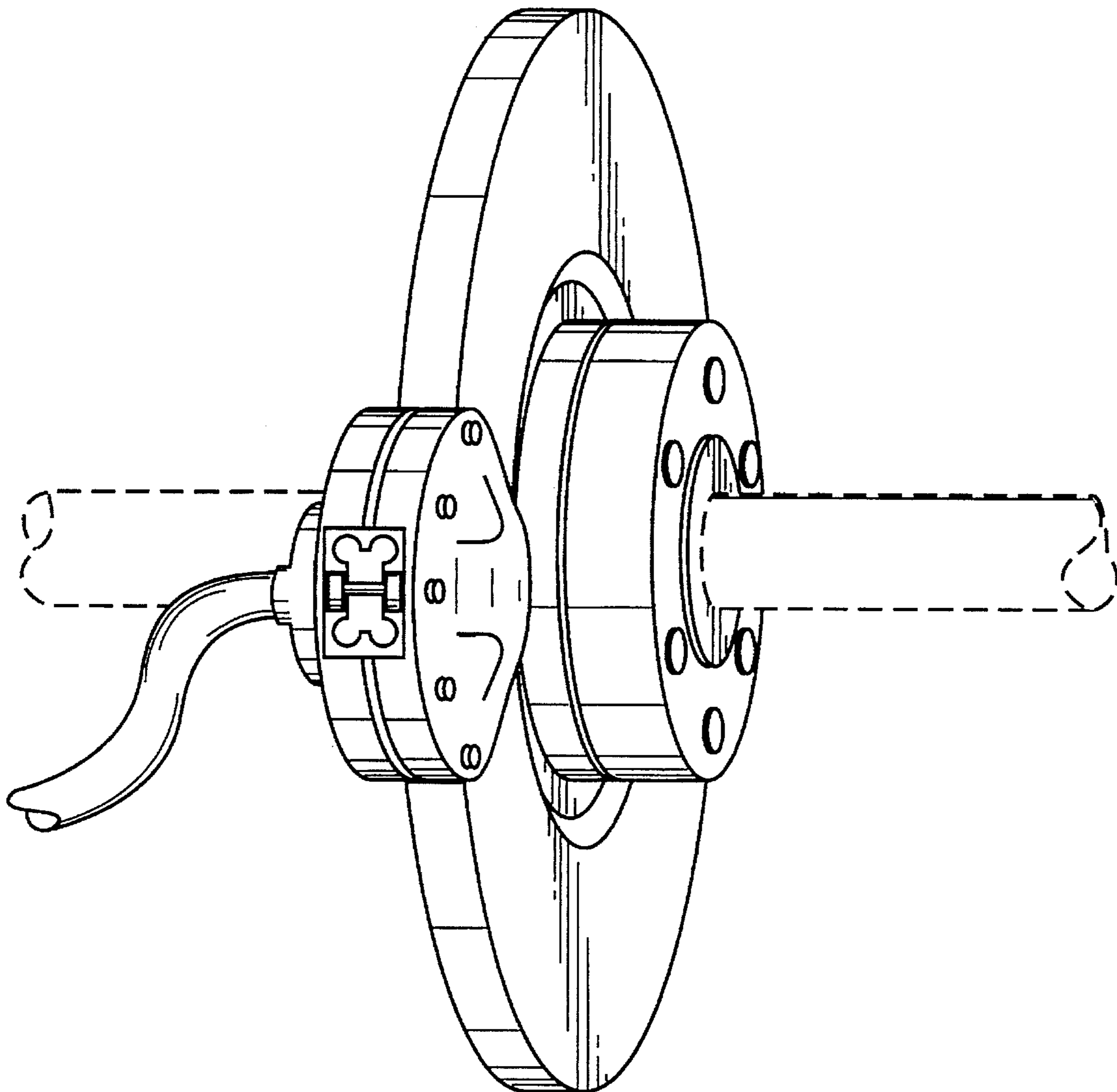
FIG. 1 is a perspective view of an axle brake showing my new design the broken lines are shown for illustrative purposes only and form no part of the claimed design;  
FIG. 2 is a right side view thereof;  
FIG. 3 is a left side view thereof;  
FIG. 4 is a front view thereof;  
FIG. 5 is a rear view thereof;  
FIG. 6 is a top view thereof; and,  
FIG. 7 is a bottom view thereof.

### [56] References Cited

#### U.S. PATENT DOCUMENTS

3,469,658	9/1969	Forsythe .....	188/18 A
4,294,334	10/1981	Shinoda et al. ....	188/18 A
4,673,064	6/1987	Will .....	188/18 A
5,190,123	2/1993	Hvolka .....	188/71.6
5,407,035	4/1995	Cole et al. ....	188/218 X
5,417,313	5/1995	Matsuzaki et al. ....	188/218 X

**1 Claim, 4 Drawing Sheets**



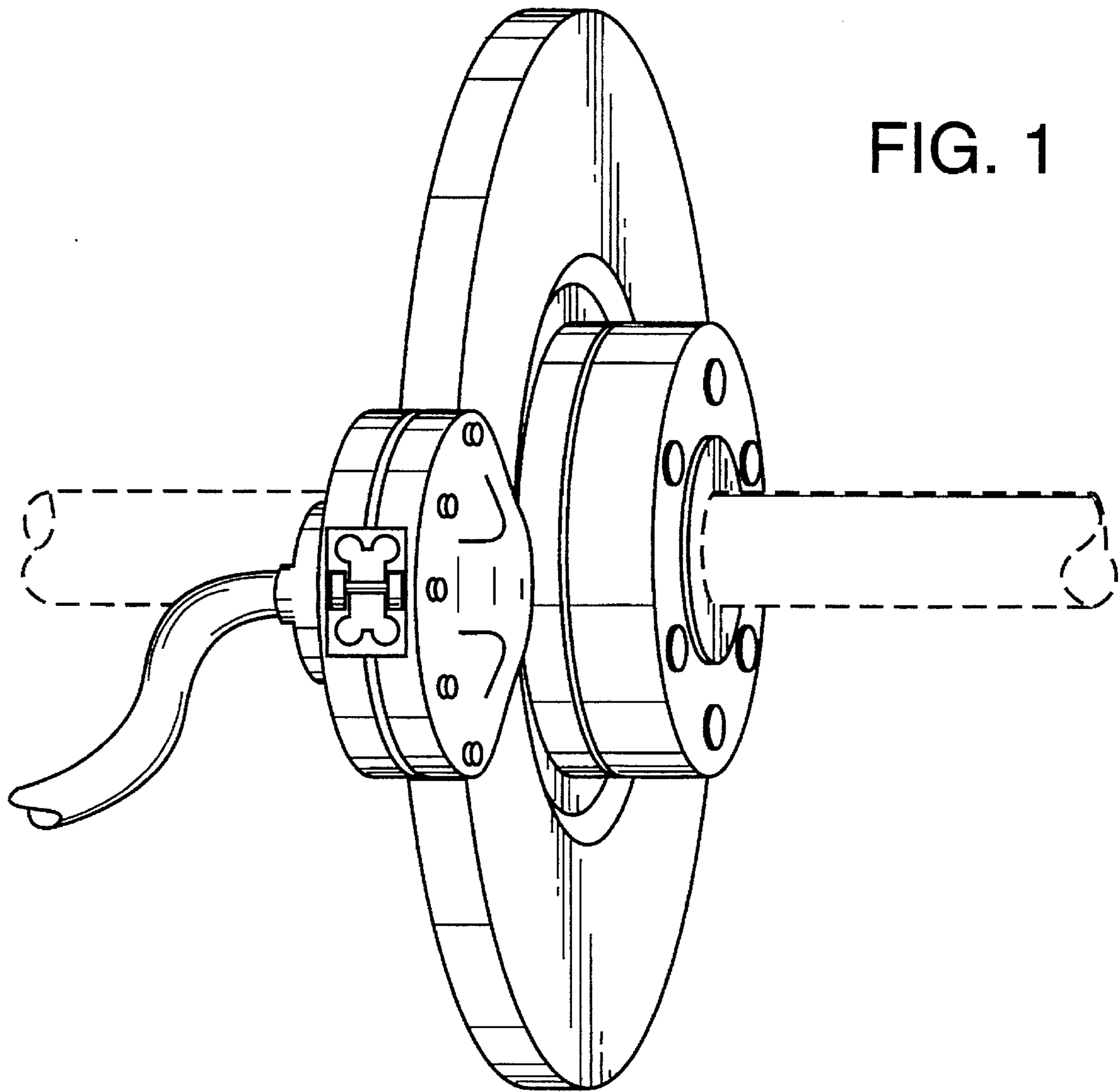


FIG. 1

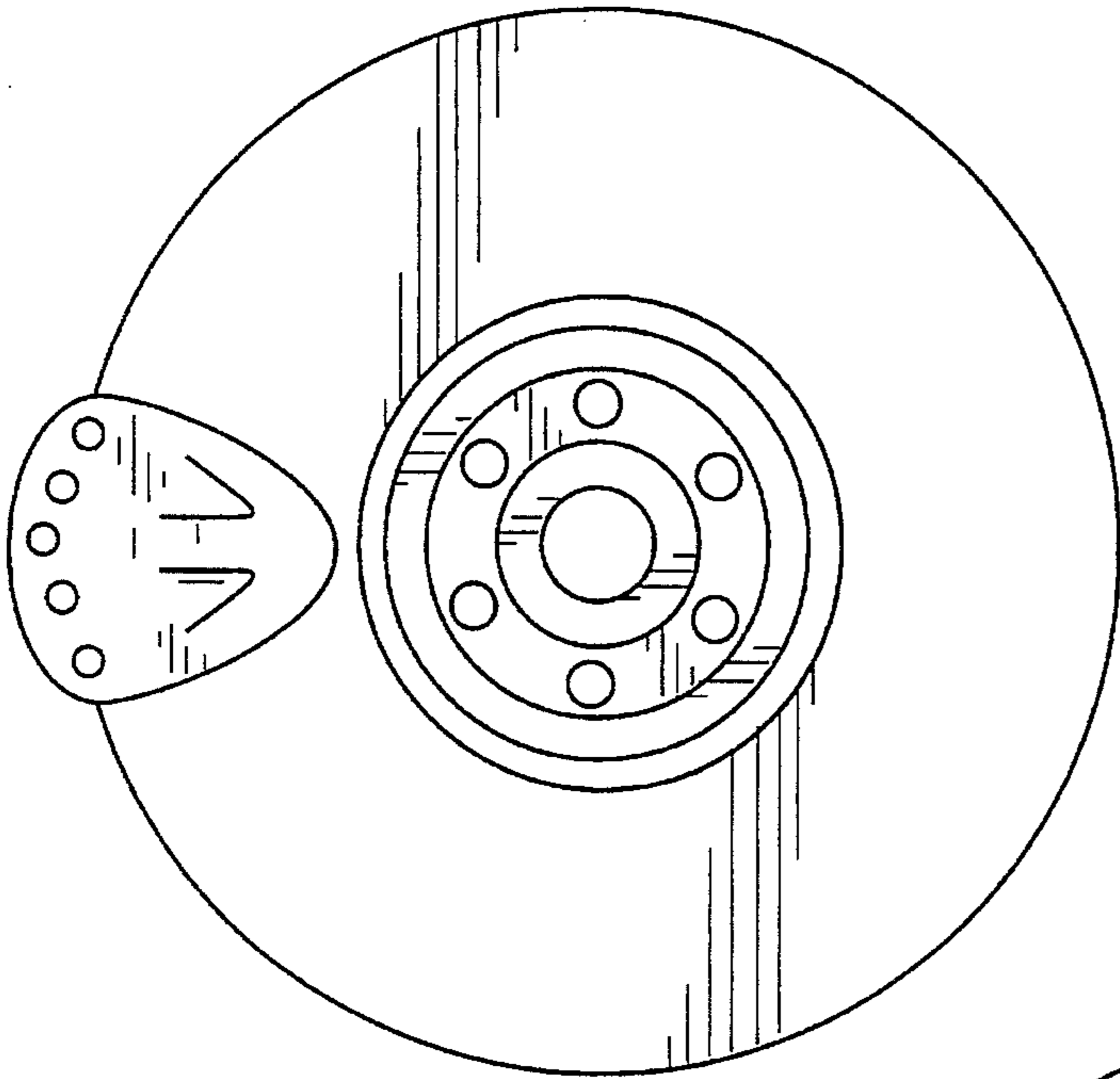
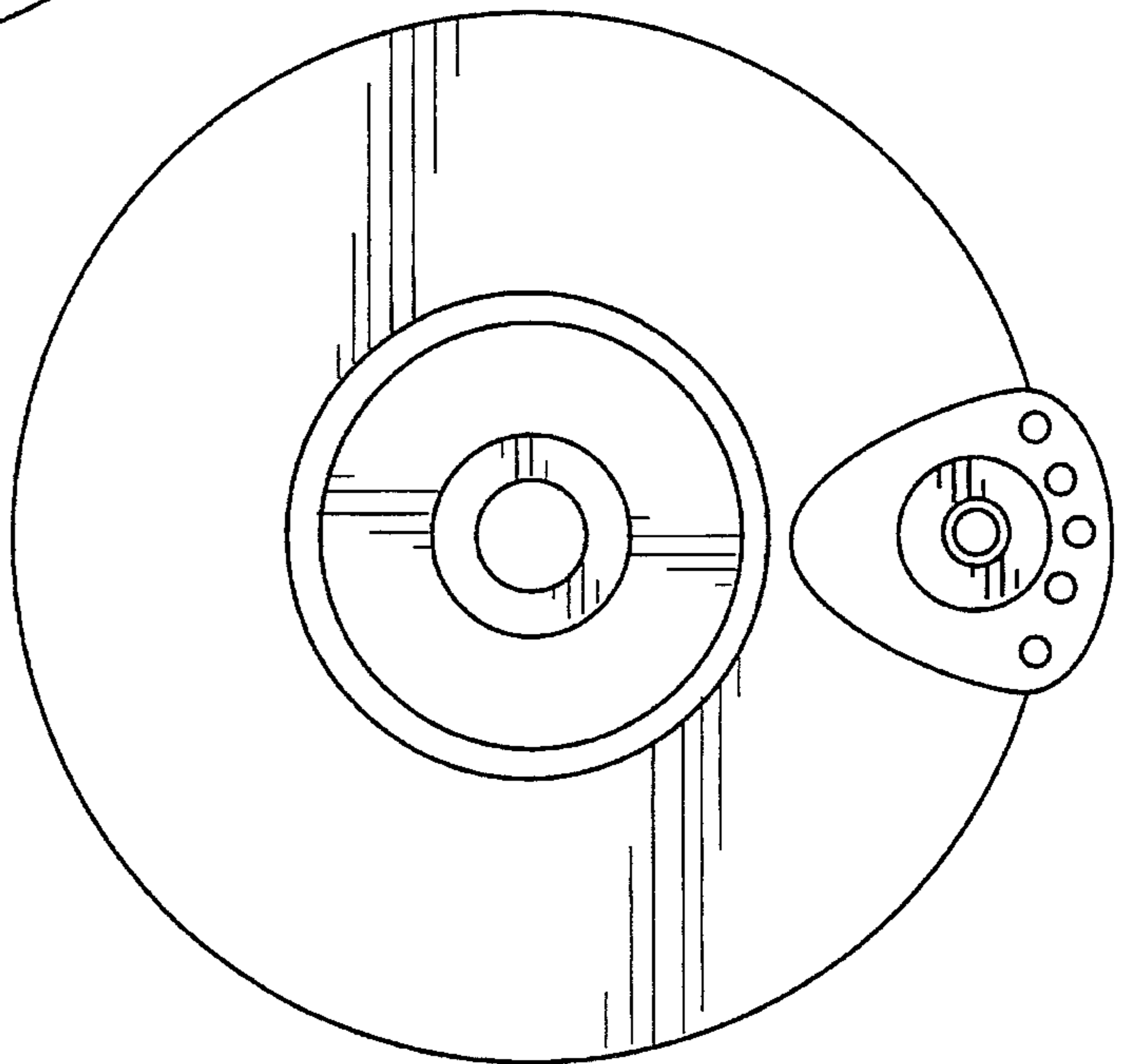


FIG. 2

FIG. 3



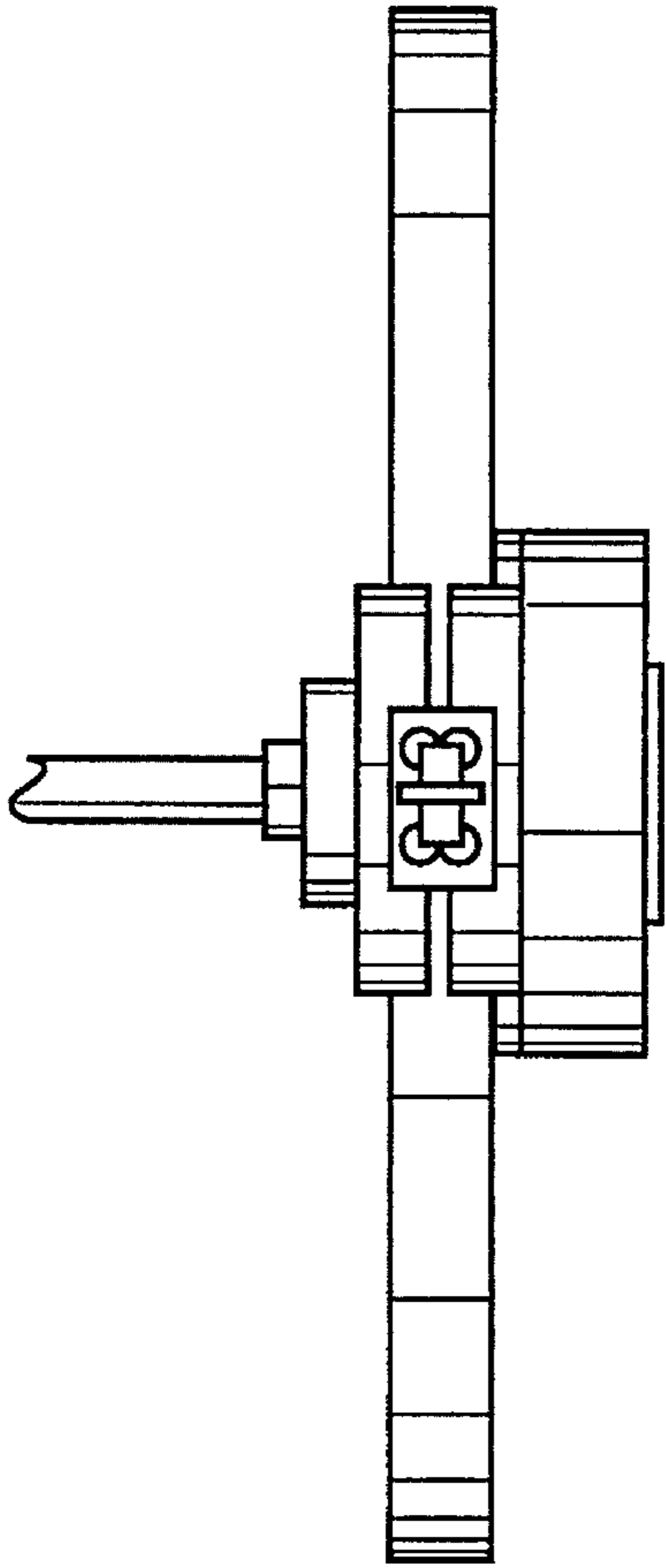


FIG. 4

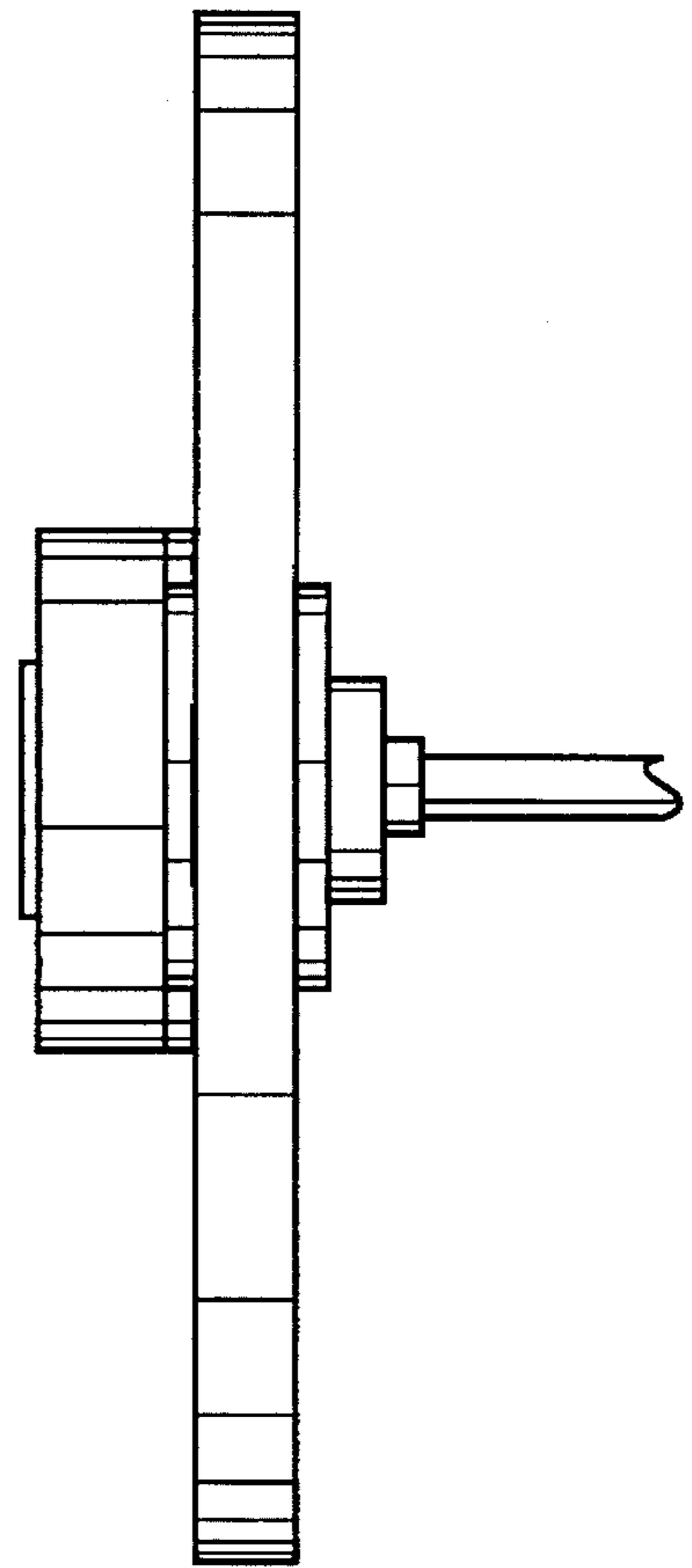


FIG. 5

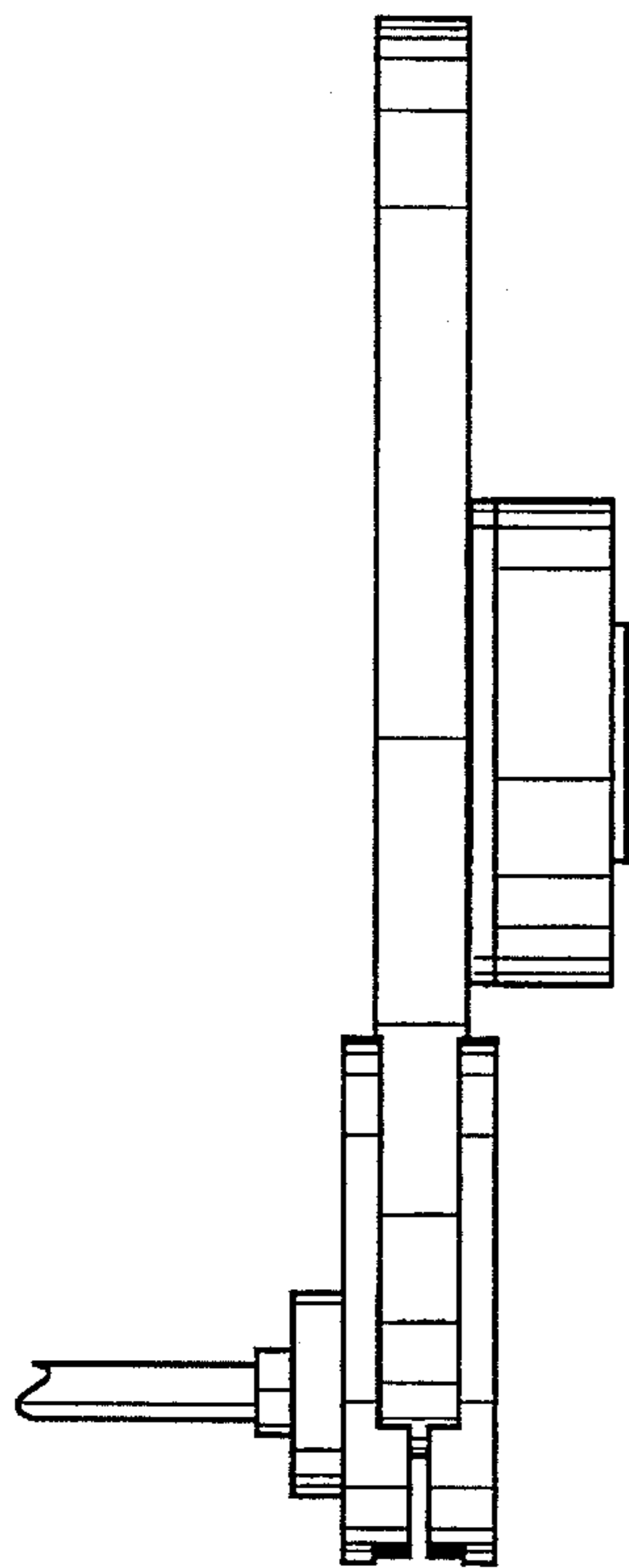


FIG. 6

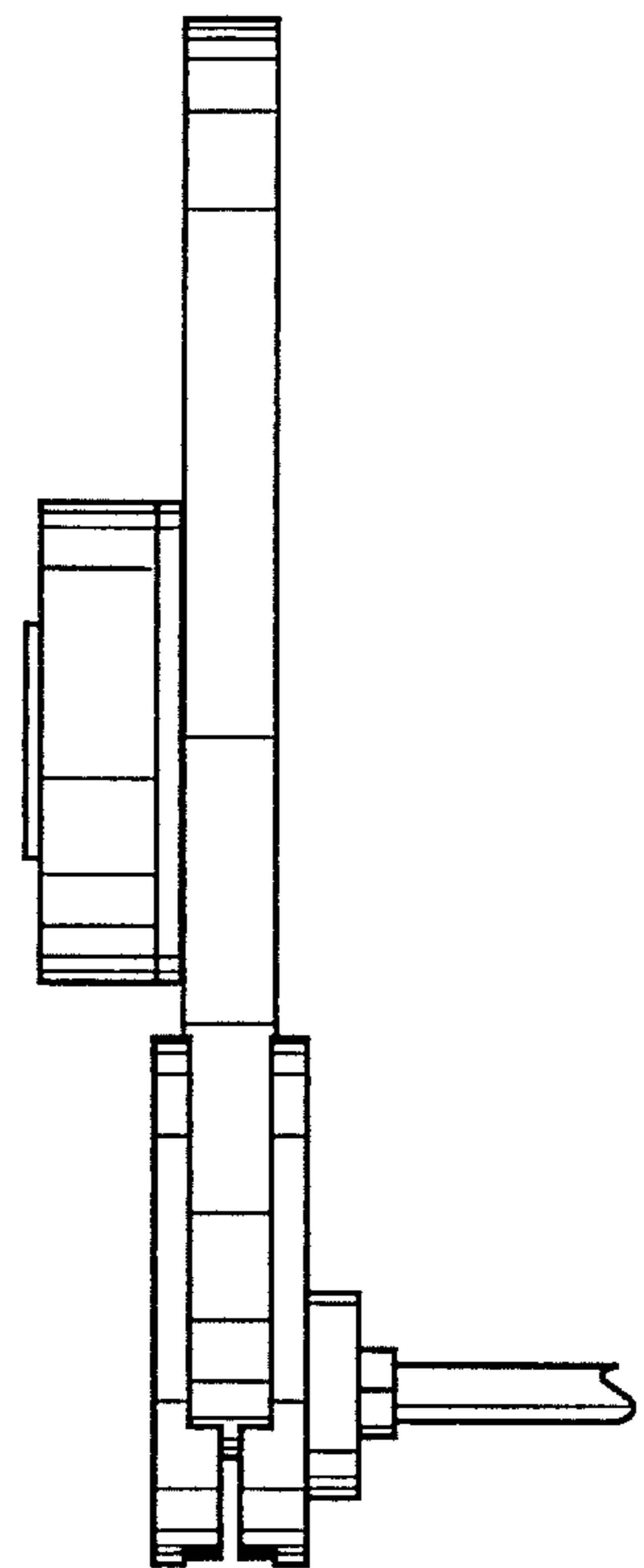


FIG. 7