



US00D376780S

United States Patent [19] McCoy

[11] Patent Number: **Des. 376,780**

[45] Date of Patent: ****Dec. 24, 1996**

[54] **ADJUSTABLE HEIGHT HITCH BALL UNIT**

5,421,601 6/1995 Hinze et al. 280/507
5,476,279 12/1995 Klemetsen 280/415.1

[75] Inventor: **Richard McCoy, Granger, Ind.**

OTHER PUBLICATIONS

[73] Assignee: **Reese Products, Inc., Elkhart, Ind.**

J C Whitney & Co catalog, No. 575C, ©1995, p. 87, the bolt on adjustable Weight-Distributing Hitch.

[**] Term: **14 Years**

Primary Examiner—Melody N. Brown
Attorney, Agent, or Firm—King and Schickli

[21] Appl. No.: **45,459**

[57] CLAIM

[22] Filed: **Oct. 20, 1995**

[52] U.S. Cl. **D12/162**

[58] Field of Search D12/162; 280/477,
280/490.1, 491, 495, 507, 511, 415.1, 416.1;
403/128-130

The ornamental design for an adjustable height hitch ball unit, as shown and described.

DESCRIPTION

[56] References Cited

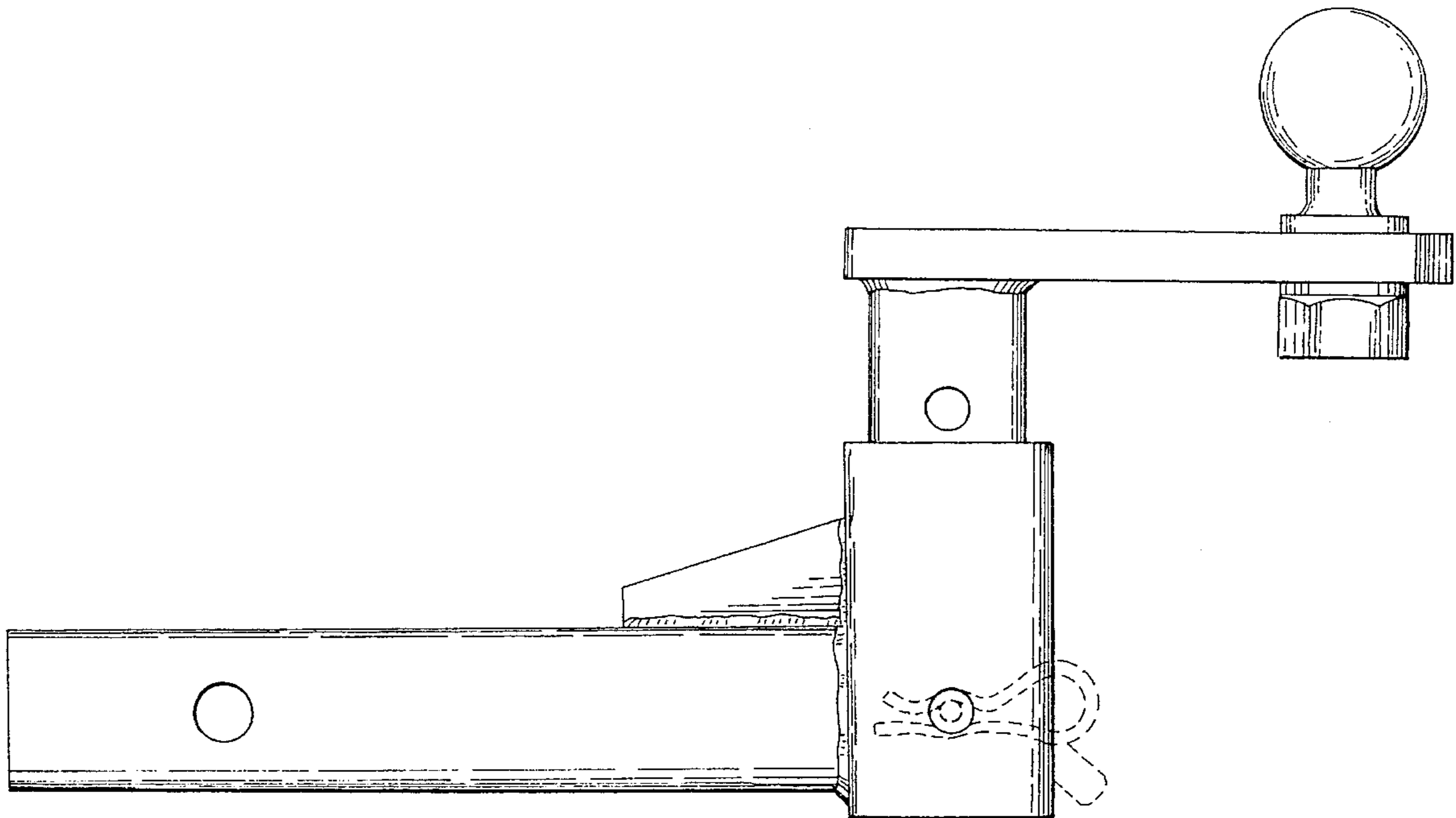
U.S. PATENT DOCUMENTS

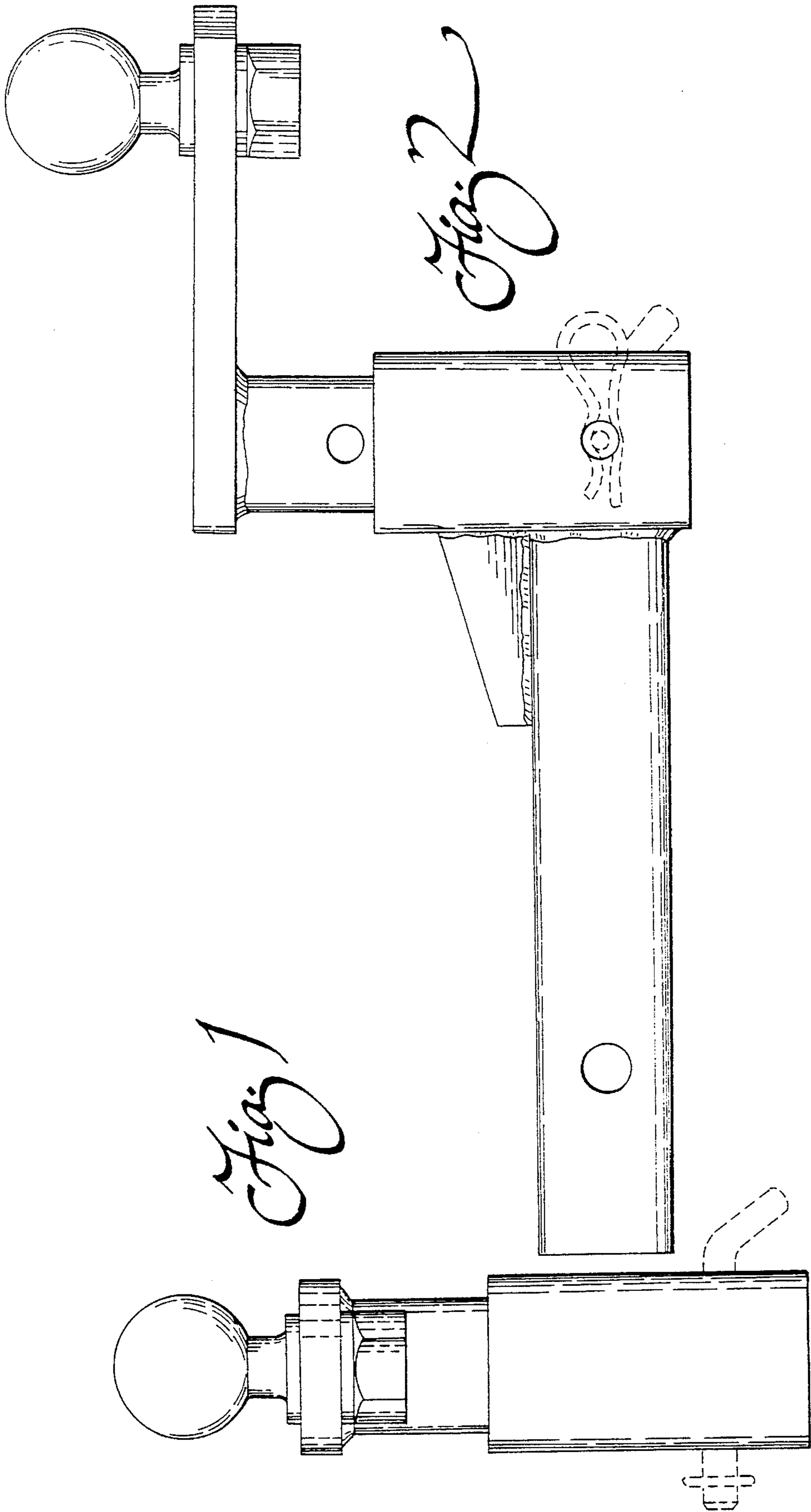
3,922,006	11/1975	Borges	280/415.1
4,482,167	11/1984	Haugrad	280/491.3
4,662,647	5/1987	Calvert	280/490.1
5,161,815	11/1992	Penor, Jr.	280/477
5,265,899	11/1993	Harrison	280/416.1
5,351,982	10/1994	Walrath	280/495
5,354,087	10/1994	Head	280/490.1
5,358,269	10/1994	Jakeman et al.	280/490.1
5,413,366	5/1995	Gibbons	280/490.1

FIG. 1 is a front elevational view of the adjustable height hitch ball unit of the present invention;
FIG. 2 is a right elevational view thereof;
FIG. 3 is a rear elevational view thereof;
FIG. 4 is a left side elevational view thereof;
FIG. 5 is a top plan view thereof; and,
FIG. 6 is a bottom plan view thereof.

The broken lines shown in all views of the drawing are for illustrative purposes only and form no part of the claimed design.

1 Claim, 3 Drawing Sheets





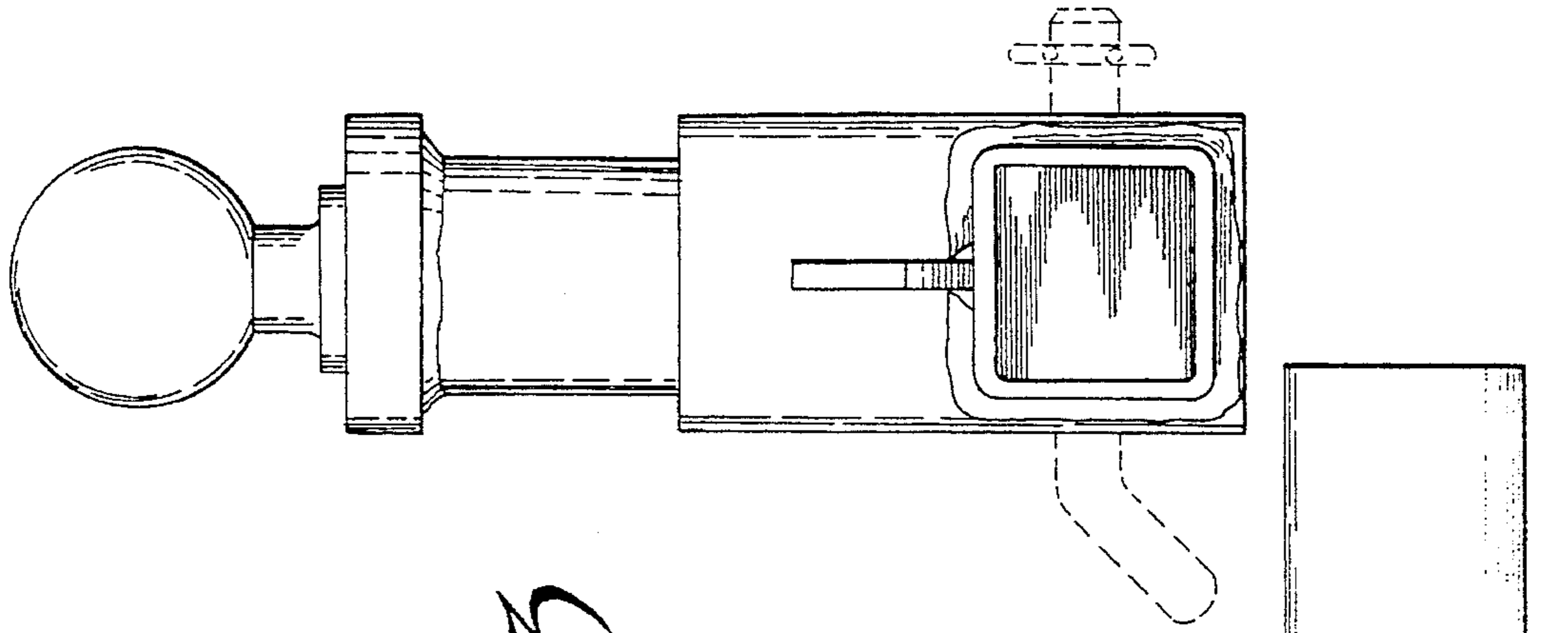


Fig. 3

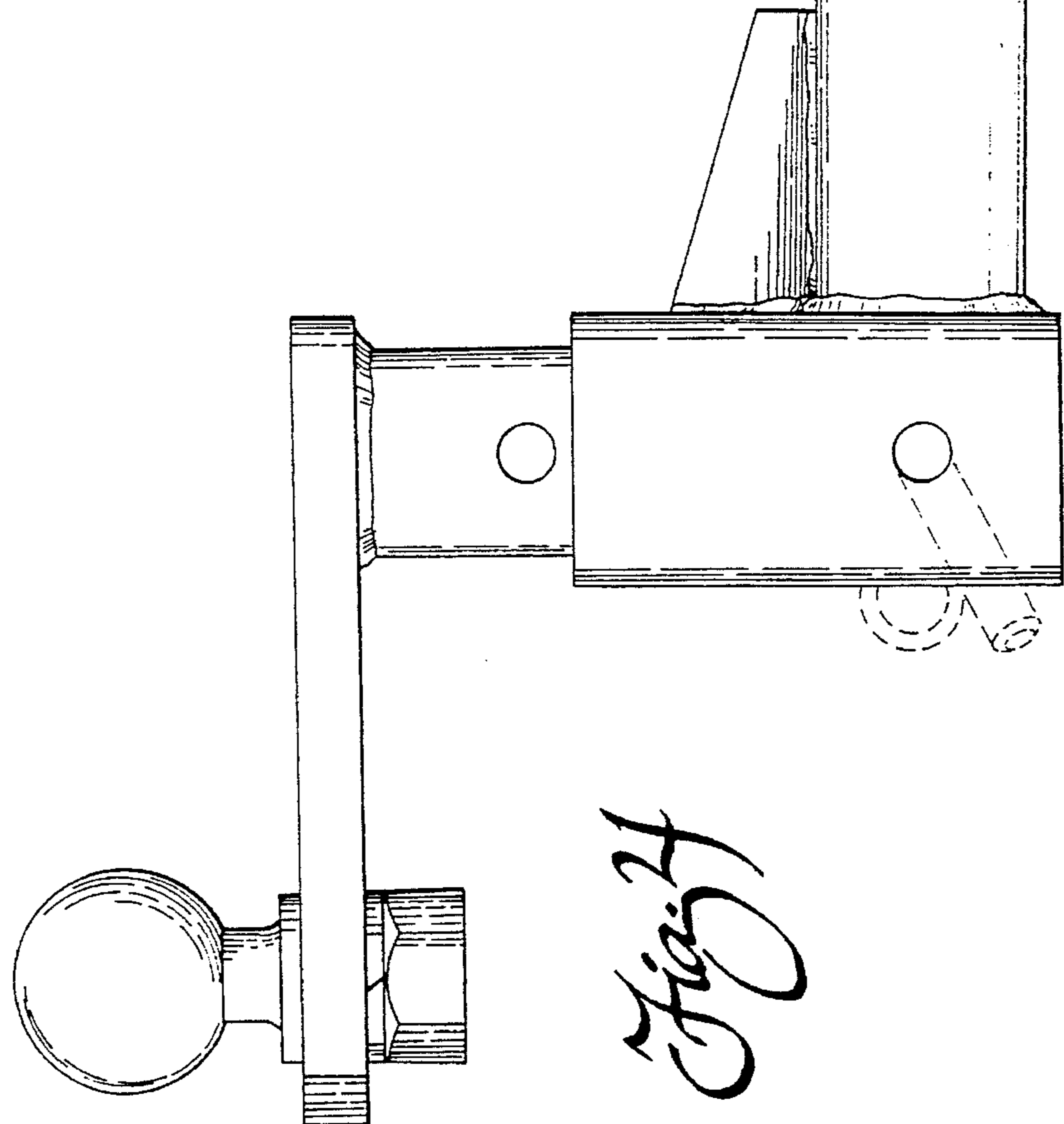


Fig. 2

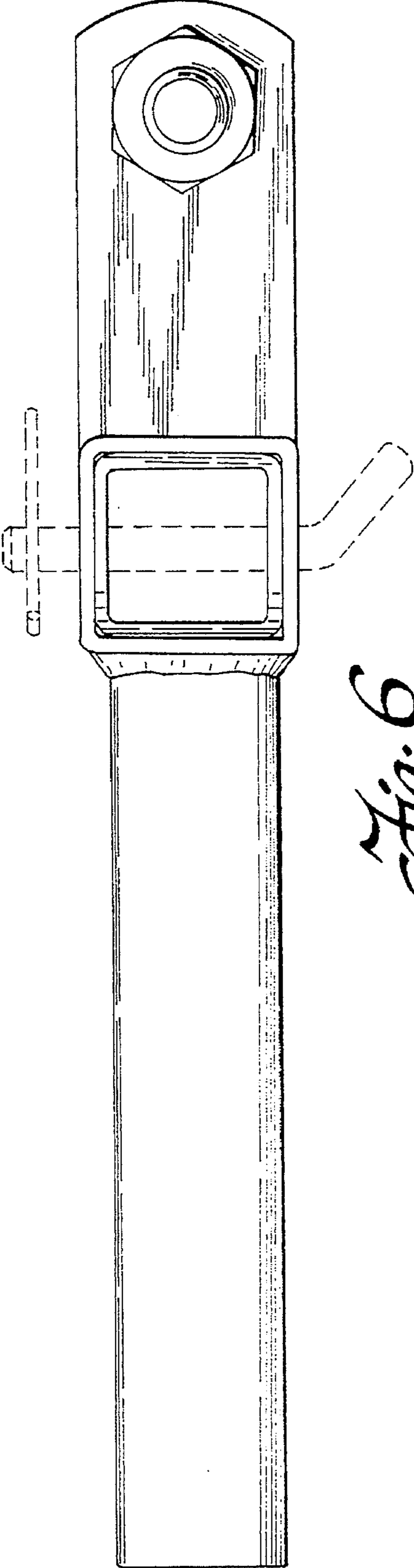


Fig. 6

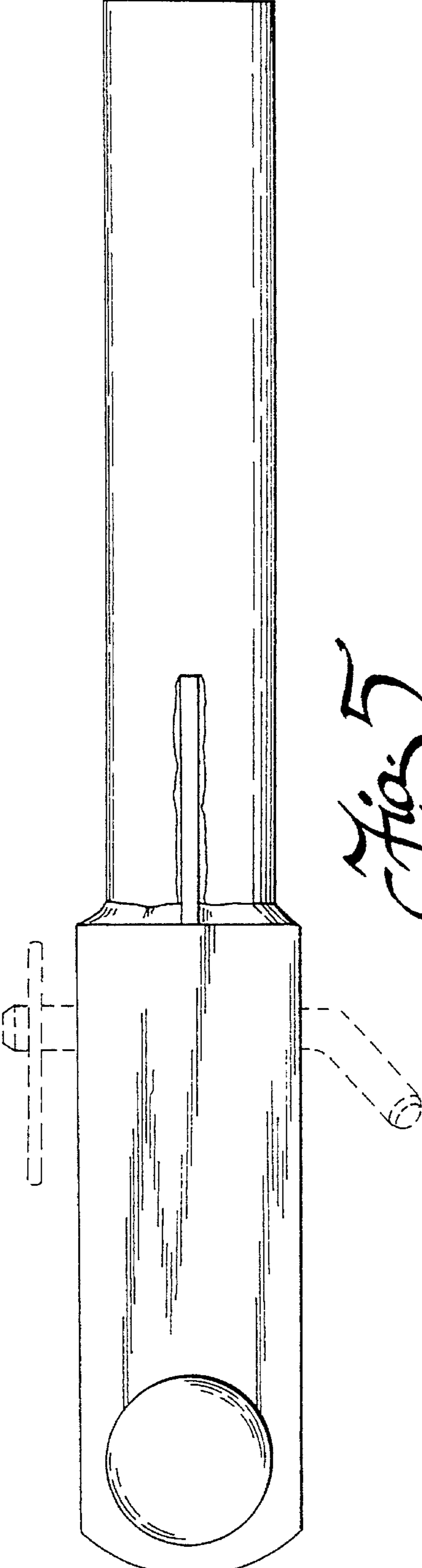


Fig. 5