



US00D376776S

United States Patent [19]

[11] Patent Number: **Des. 376,776**

Gotschi et al.

[45] Date of Patent: ****Dec. 24, 1996**

[54] BICYCLE SUPPORT

1941385 3/1971 Germany 280/293

[75] Inventors: **Beat Gotschi; Hans Pletscher**, both of Marthalen, Switzerland

Primary Examiner—Holly M. Baynham
Attorney, Agent, or Firm—Oliff & Berridge

[73] Assignee: **Gebruder Pletscher AG**, Marthalen, Switzerland

[57] CLAIM

[**] Term: **14 Years**

The ornamental design for bicycle support, as shown and described.

[21] Appl. No.: **47,926**

DESCRIPTION

[22] Filed: **Dec. 14, 1995**

FIG. 1 is a perspective view of the bicycle support in an up position;

Related U.S. Application Data

[62] Division of Ser. No. 25,749, Jul. 11, 1994.

FIG. 2 is a perspective of the bicycle support of FIG. 10 in a down position;

[30] Foreign Application Priority Data

Feb. 8, 1994 [CH] Switzerland DMA/002422

FIG. 3 is an outer side view of the bicycle support in an up position;

[52] U.S. Cl. **D12/120**

FIG. 4 is an inner side view of the bicycle support in an up position;

[58] Field of Search D12/120; 280/301, 280/294, 293

FIG. 5 is a front view of the bicycle support in an up position;

[56] References Cited

U.S. PATENT DOCUMENTS

D. 317,143 5/1991 Weissenberger D12/120
2,297,624 9/1942 Horstman 280/301
4,556,230 12/1985 Dickman 280/293 X

FIG. 6 is a rear view of the bicycle support in an up position;
FIG. 7 is a top view of the bicycle support in an up position;
FIG. 8 is an underneath view of the bicycle support in an up position;

FOREIGN PATENT DOCUMENTS

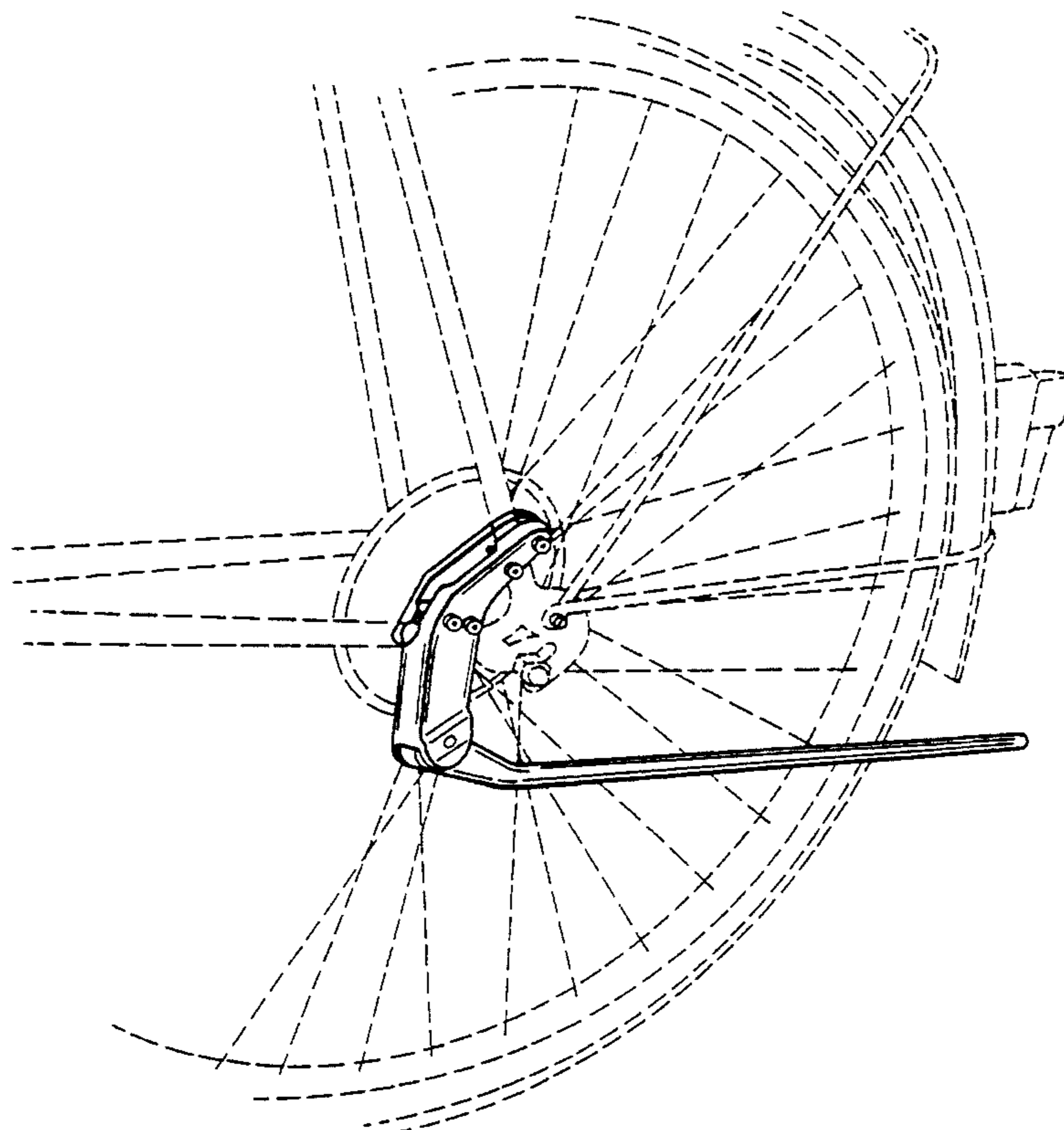
886830 10/1943 France 280/293
1011129 6/1952 France 280/293

FIG. 9 is an outer side view of the bicycle support in a down position; and,

FIG. 10 is a rear view of the bicycle support in a down position.

The broken line showing of a partial bicycle in FIGS. 1 and 2 is for illustrative purposes only and forms no part of the claimed design.

1 Claim, 8 Drawing Sheets



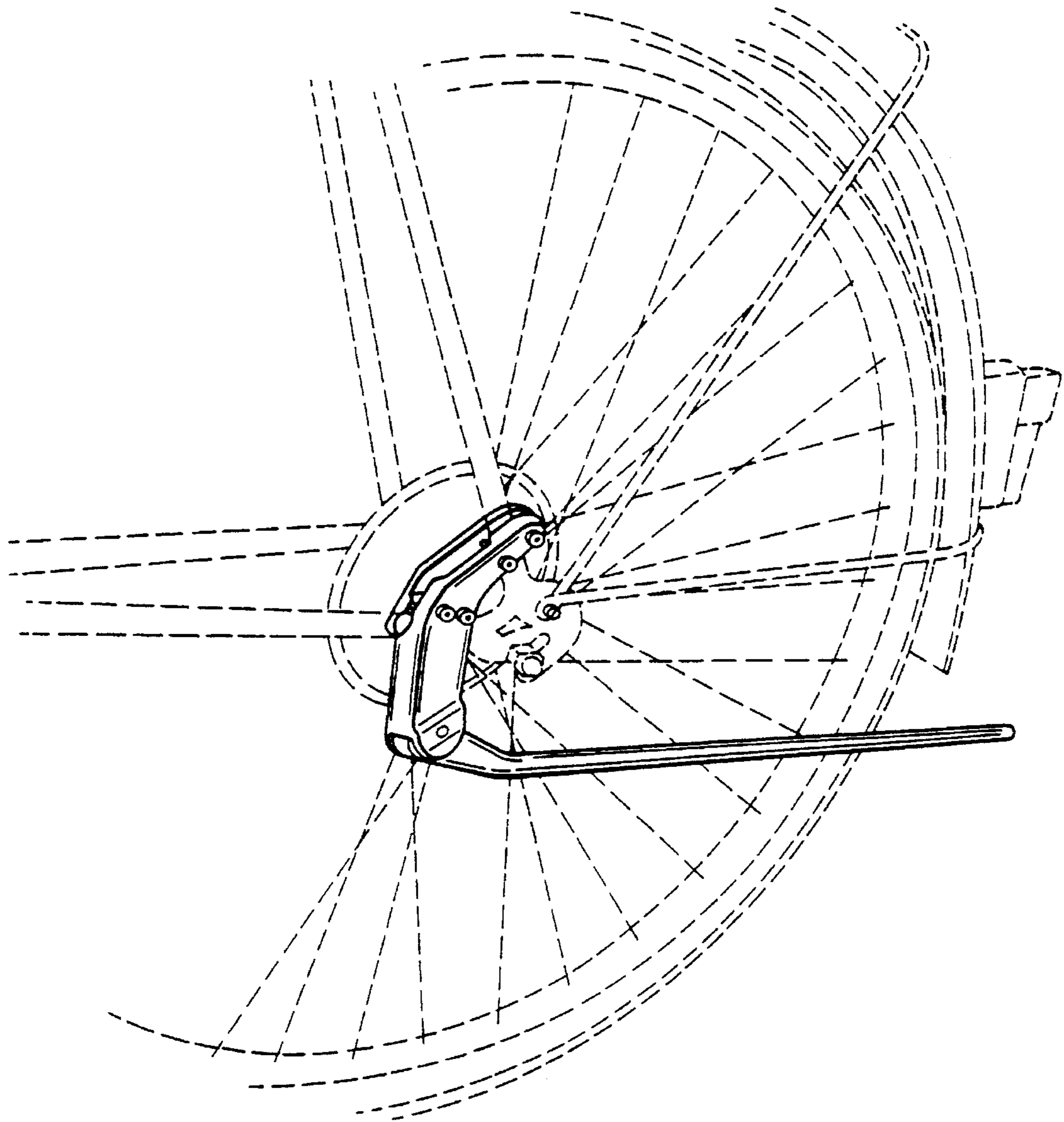


Fig. 1

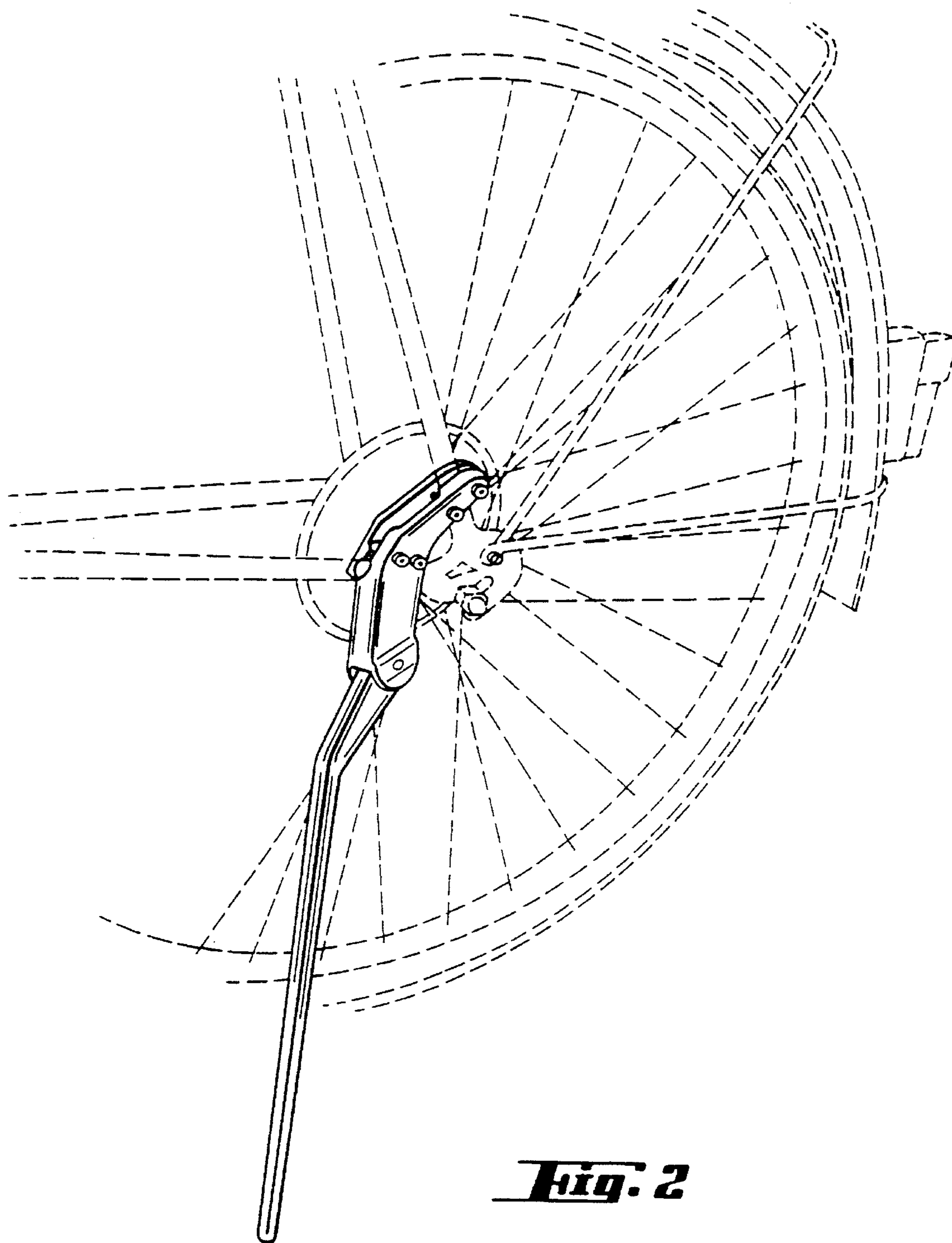
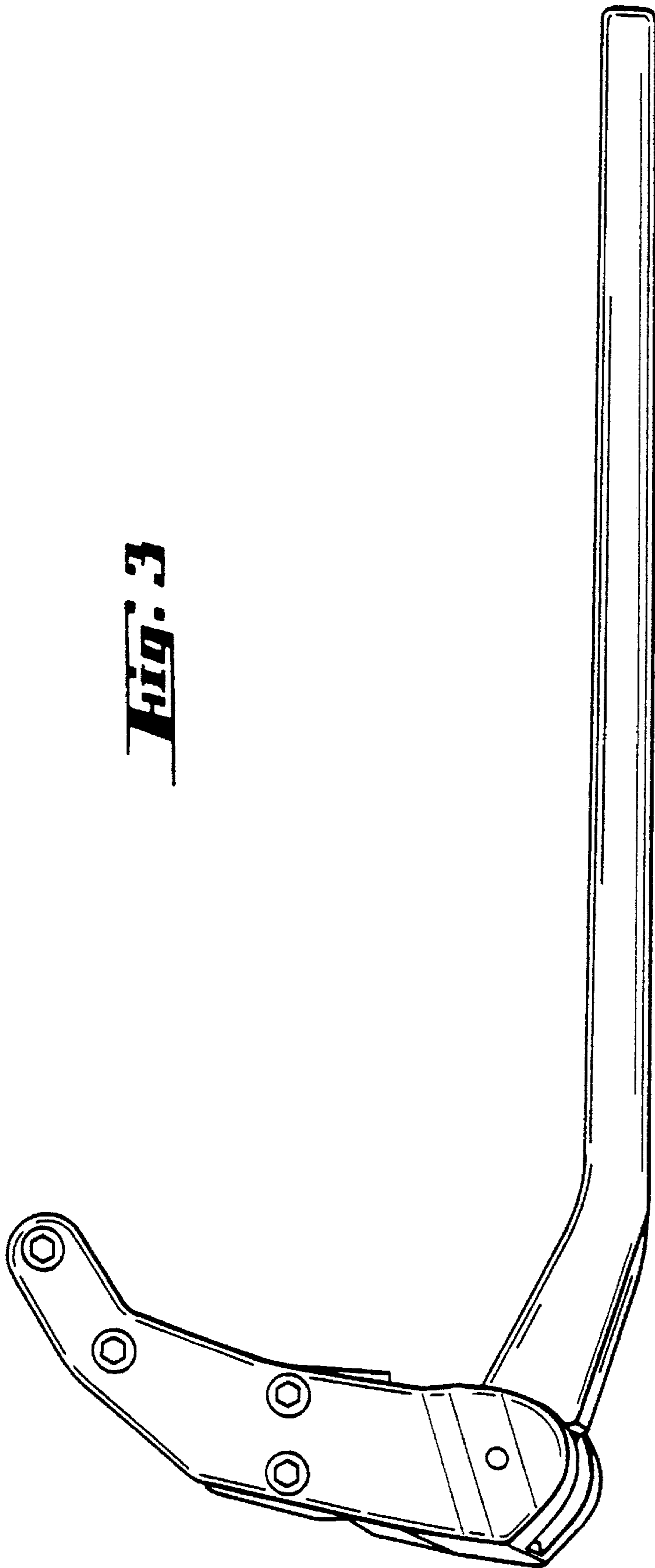


Fig. 2

FIG. 3



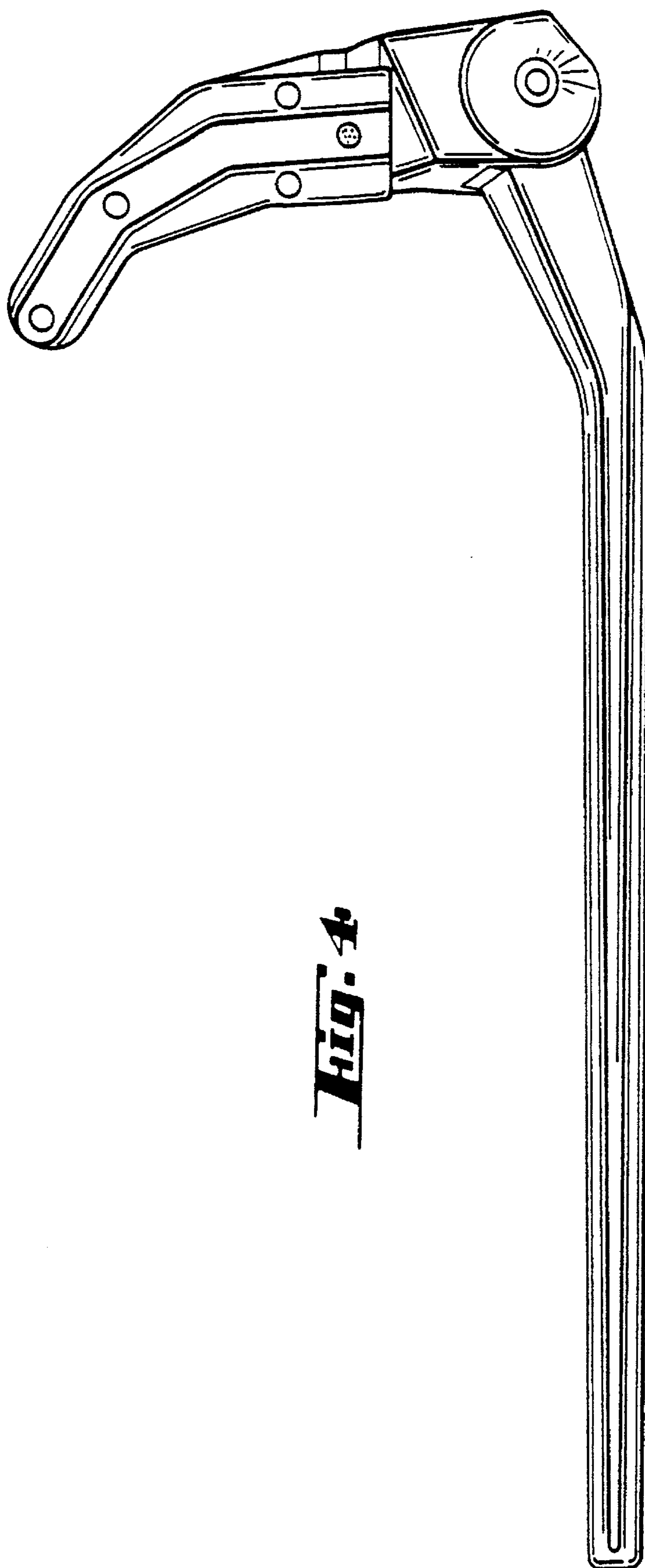


Fig. 4

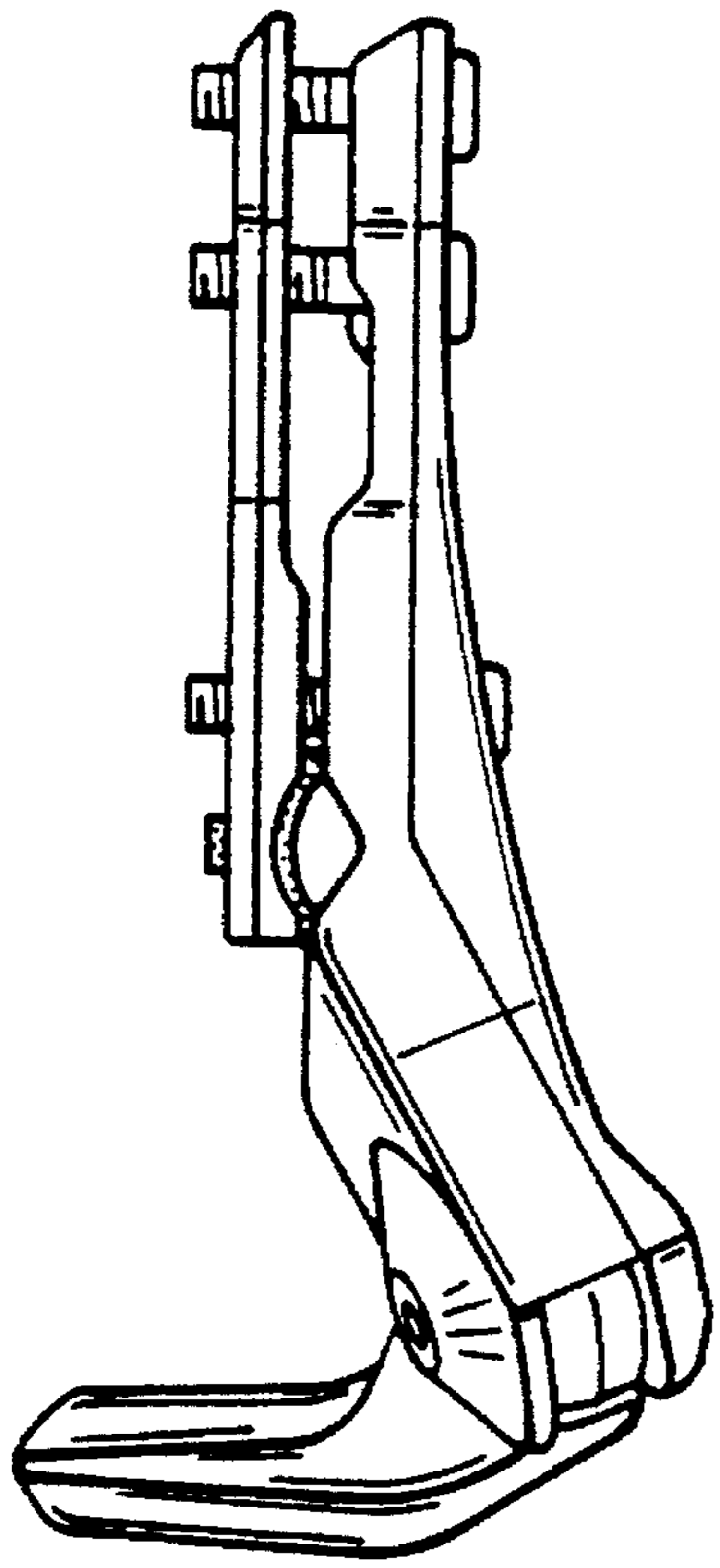


Fig. 5

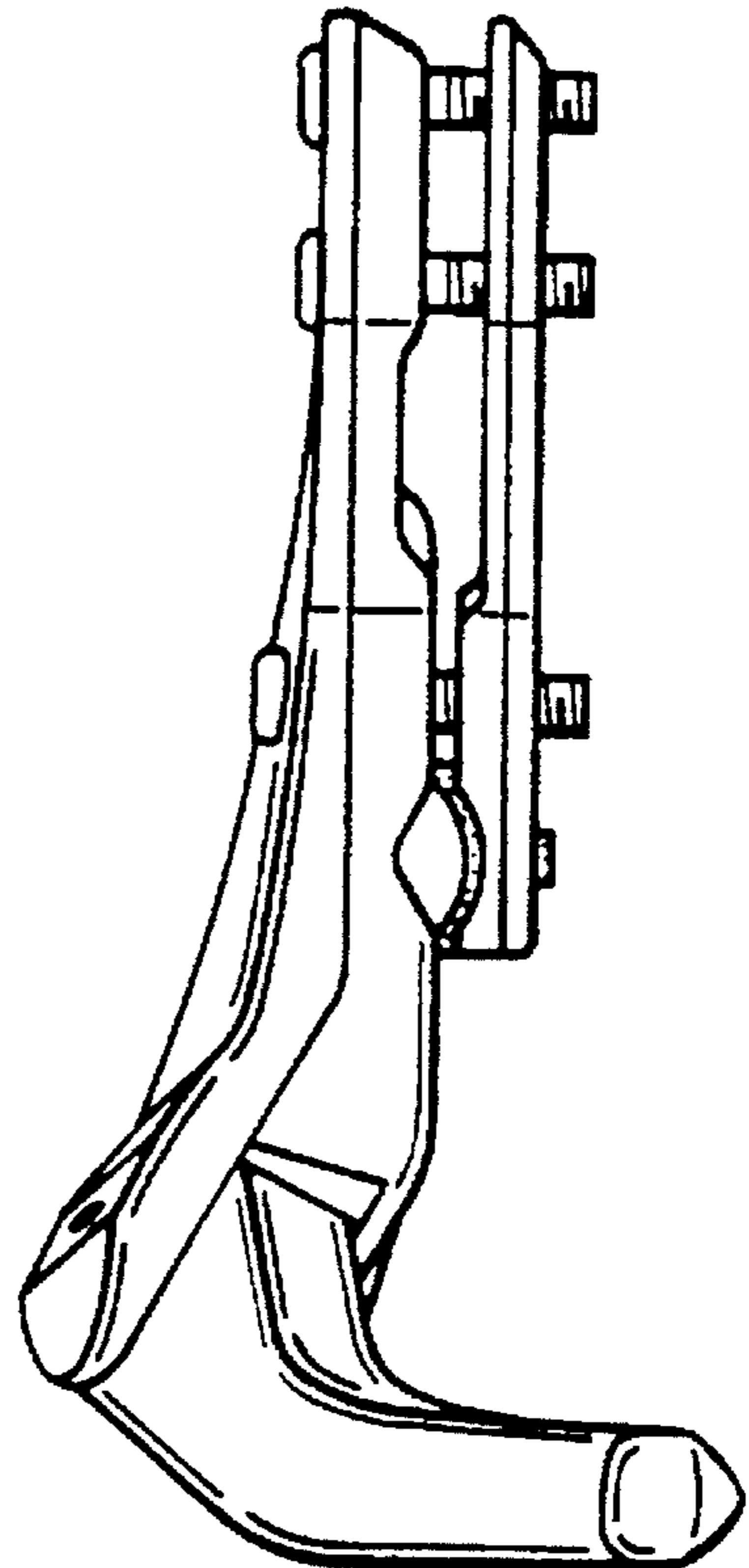


Fig. 6



Fig. 7

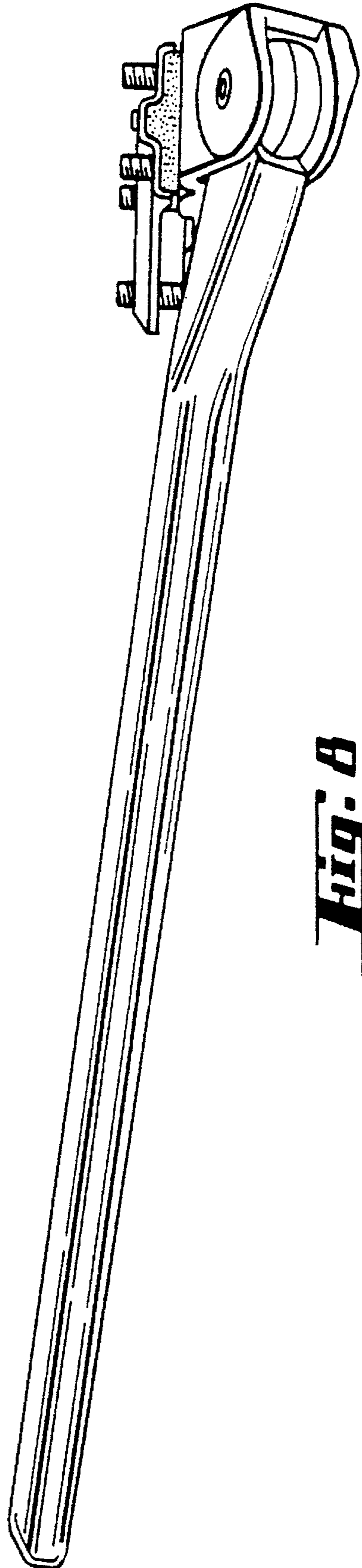


Fig. 8

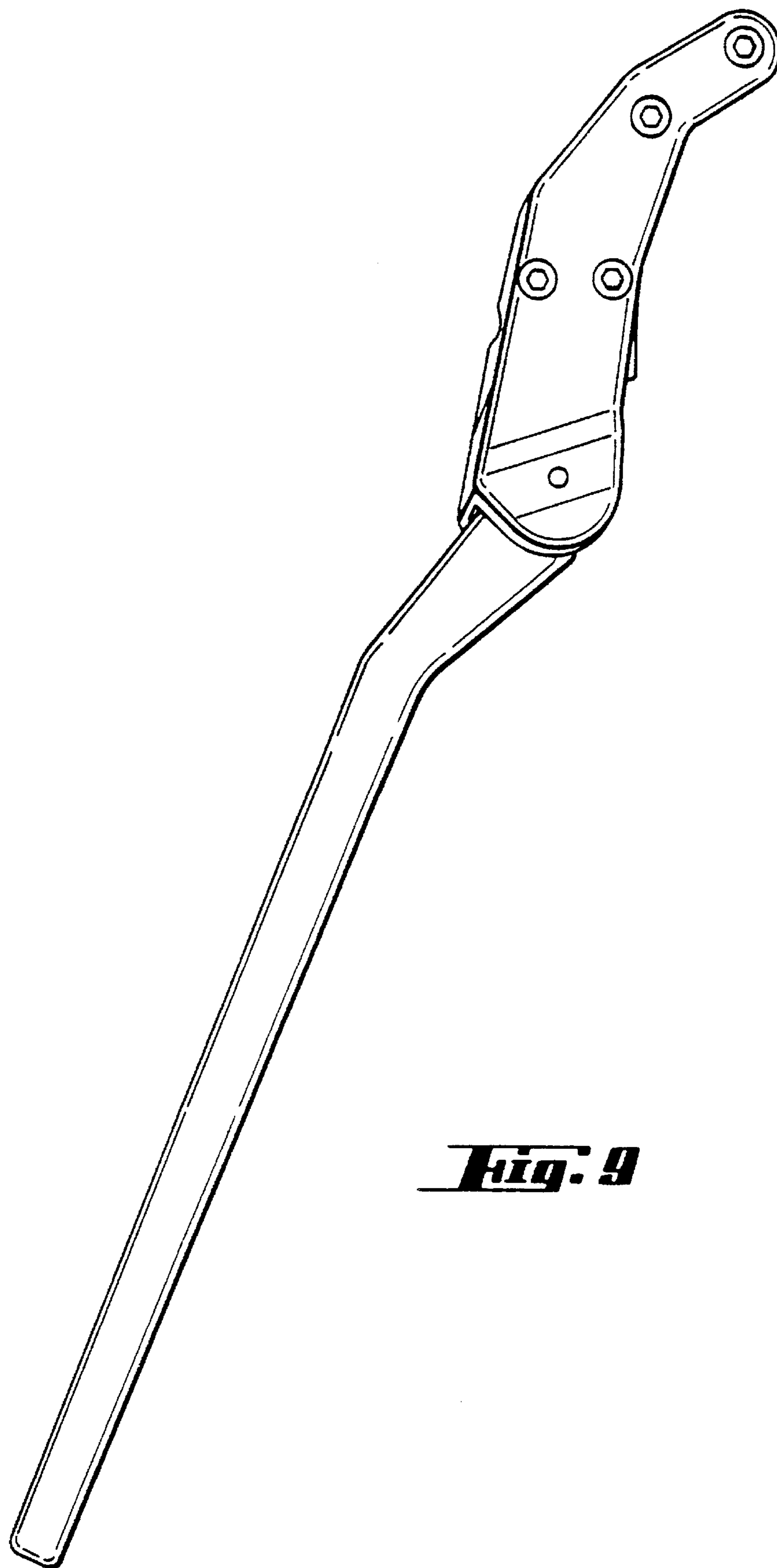


Fig. 9

Fig. 10

