



US00D376775S

# United States Patent [19]

[11] Patent Number: **Des. 376,775**

**Fang**

[45] Date of Patent: **\*\*Dec. 24, 1996**

[54] **DECORATIVE BICYCLE FRAME SHROUD**

*Attorney, Agent, or Firm*—Morton J. Rosenberg; David I. Klein

[76] Inventor: **Mu-tung Fang**, No. 8-1, Hsin Yi Rd., Tainan City, Taiwan

[57] **CLAIM**

[\*\*] Term: **14 Years**

The ornamental design for a decorative bicycle frame shroud, as shown and described.

[21] Appl. No.: **47,571**

**DESCRIPTION**

[22] Filed: **Dec. 7, 1995**

[52] U.S. Cl. .... **D12/117; D12/114**

[58] Field of Search ..... D12/111, 114, D12/117; 280/281.1, 288.1-288.3, 288.4

FIG. 1 is a perspective view of a decorative bicycle frame shroud showing my present design;  
FIG. 2 is a front view thereof;  
FIG. 3 is a rear view thereof;  
FIG. 4 is a left side elevational view;  
FIG. 5 is a right side elevational view;  
FIG. 6 is a top plan view thereof;  
FIG. 7 is a bottom plan view; and,  
FIG. 8 is a right side elevational view on a reduced scale showing the decorative shroud mounted on a bike that is shown in broken lines for illustrative purposes only and form no part of the claimed design.

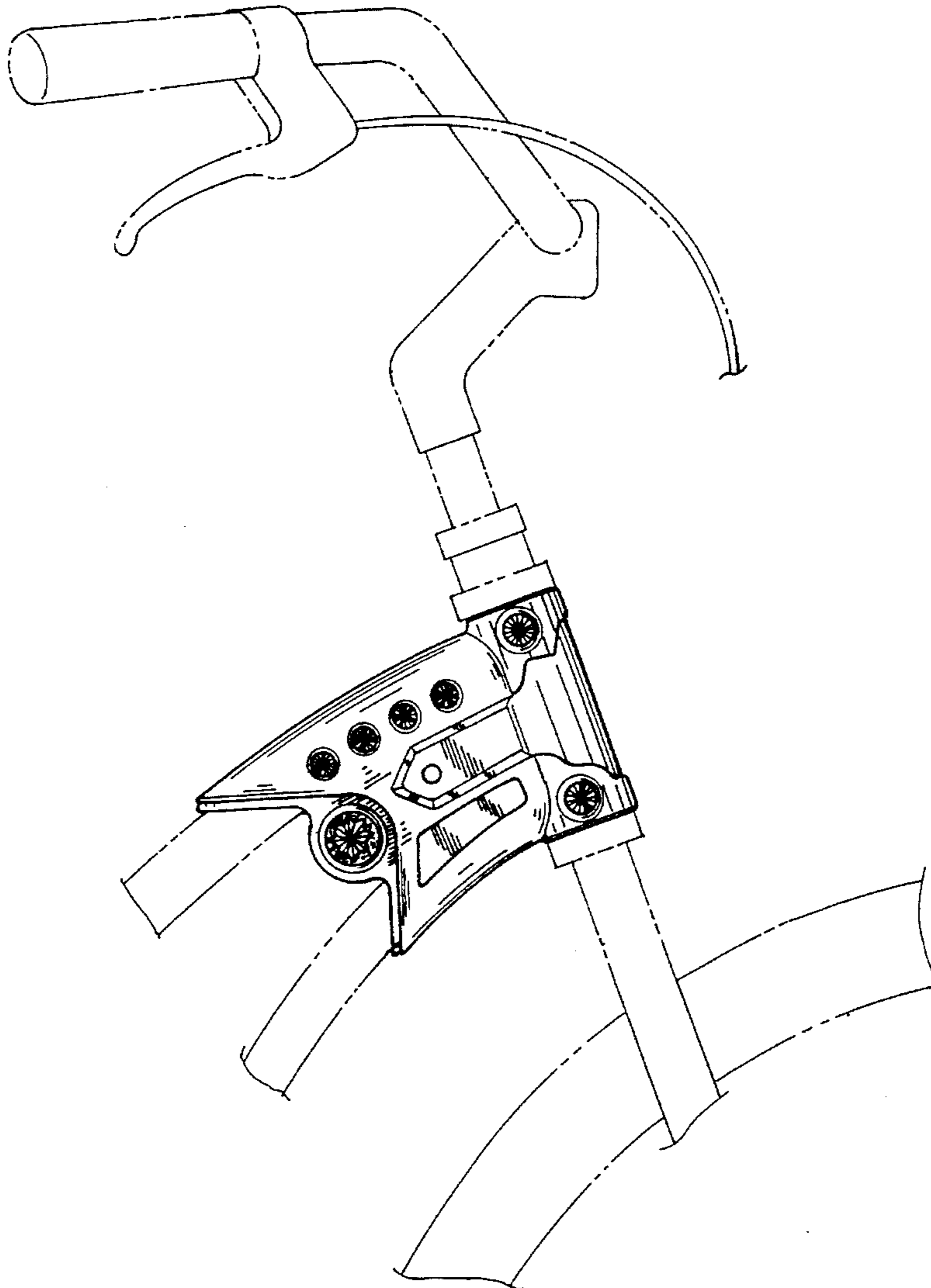
[56] **References Cited**

**U.S. PATENT DOCUMENTS**

D. 343,599	1/1994	Camfield et al. ....	D12/111
D. 359,467	6/1995	Hsieh .....	D12/111
D. 362,209	9/1995	Diez et al. ....	D12/111
D. 365,048	12/1995	Fang .....	D12/111
4,613,146	9/1986	Sharp et al. ....	D80/281.1

*Primary Examiner*—Melody N. Brown

**1 Claim, 5 Drawing Sheets**



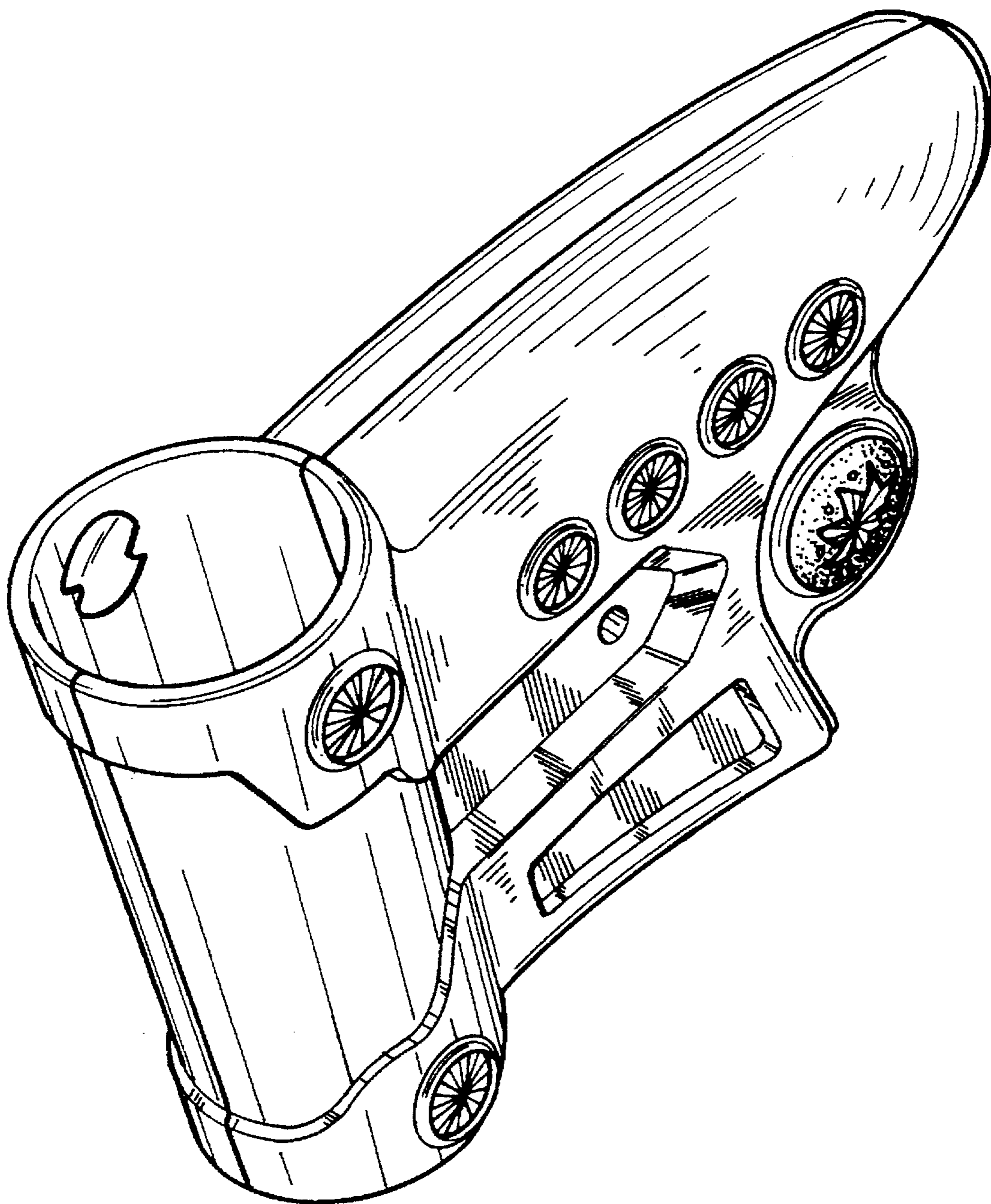


FIG. 1

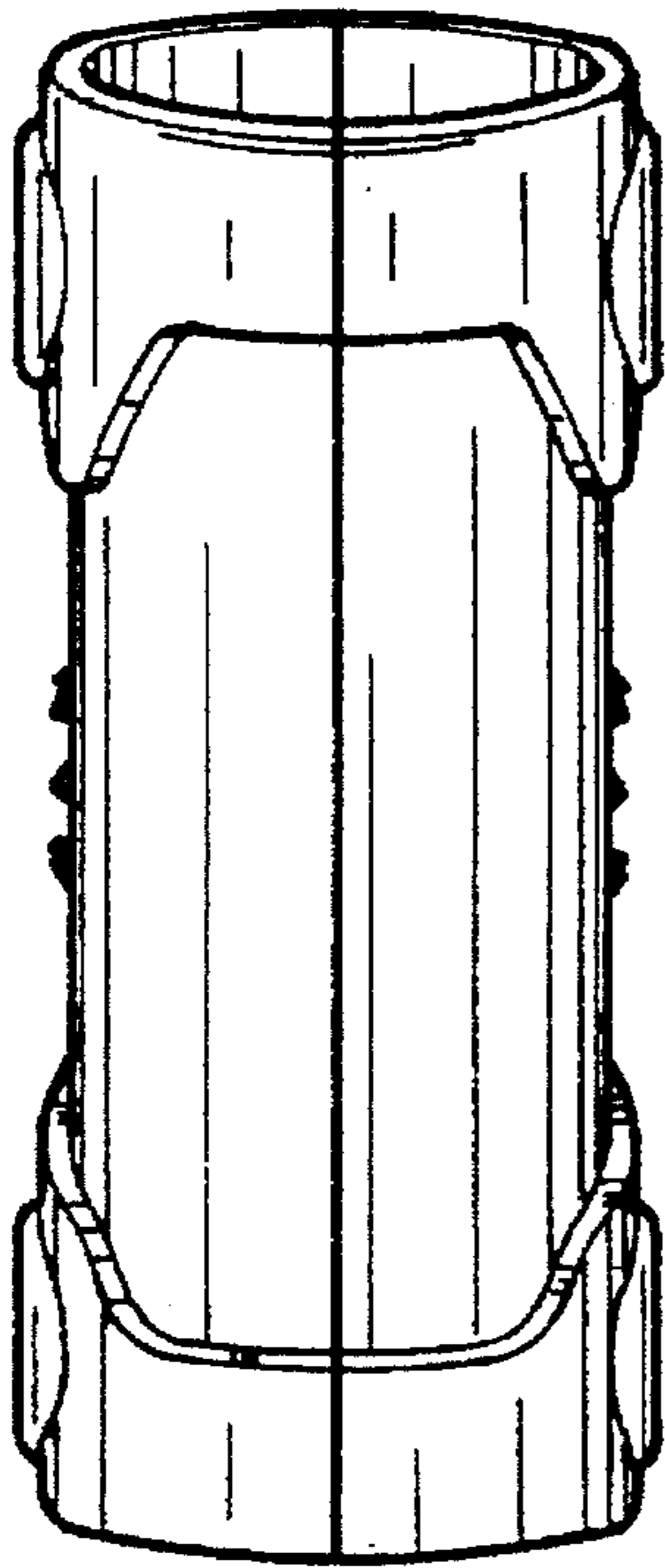


FIG. 2

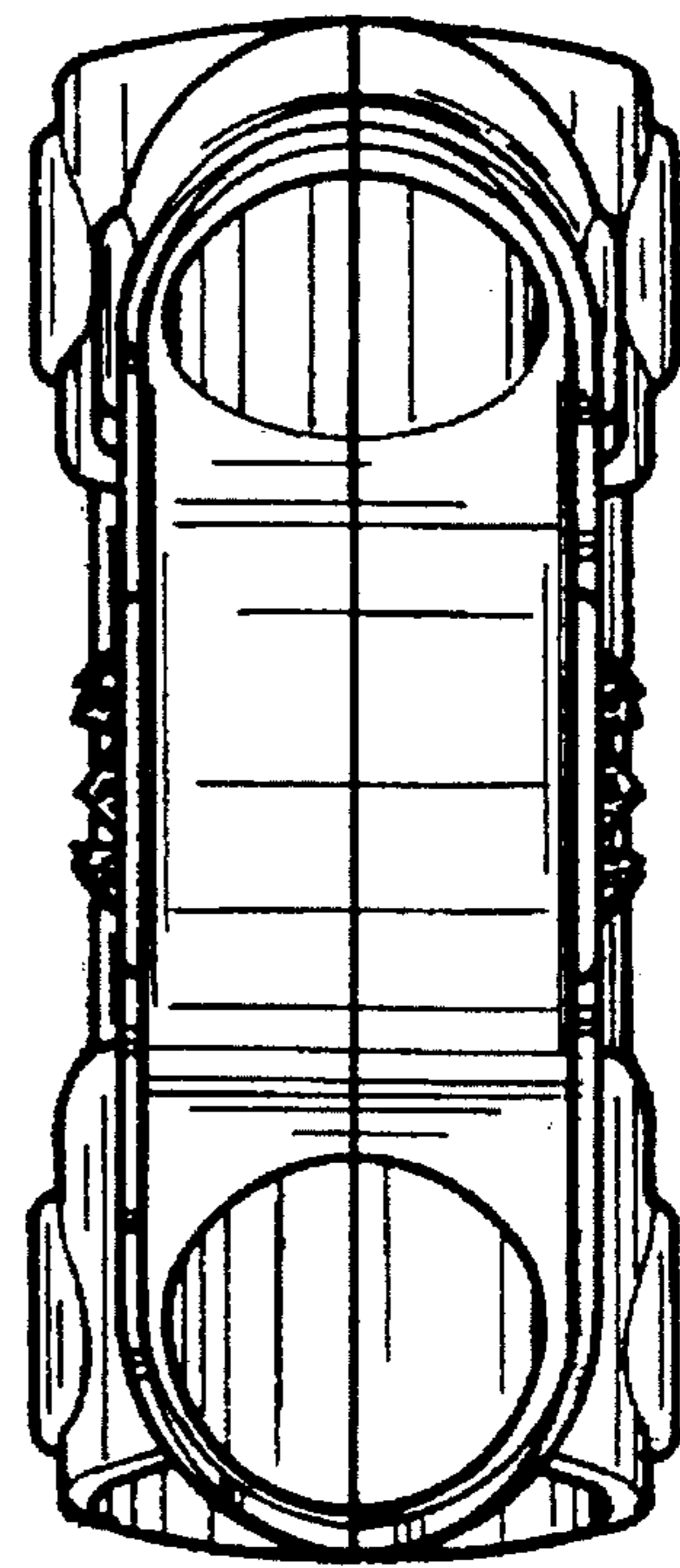


FIG. 3



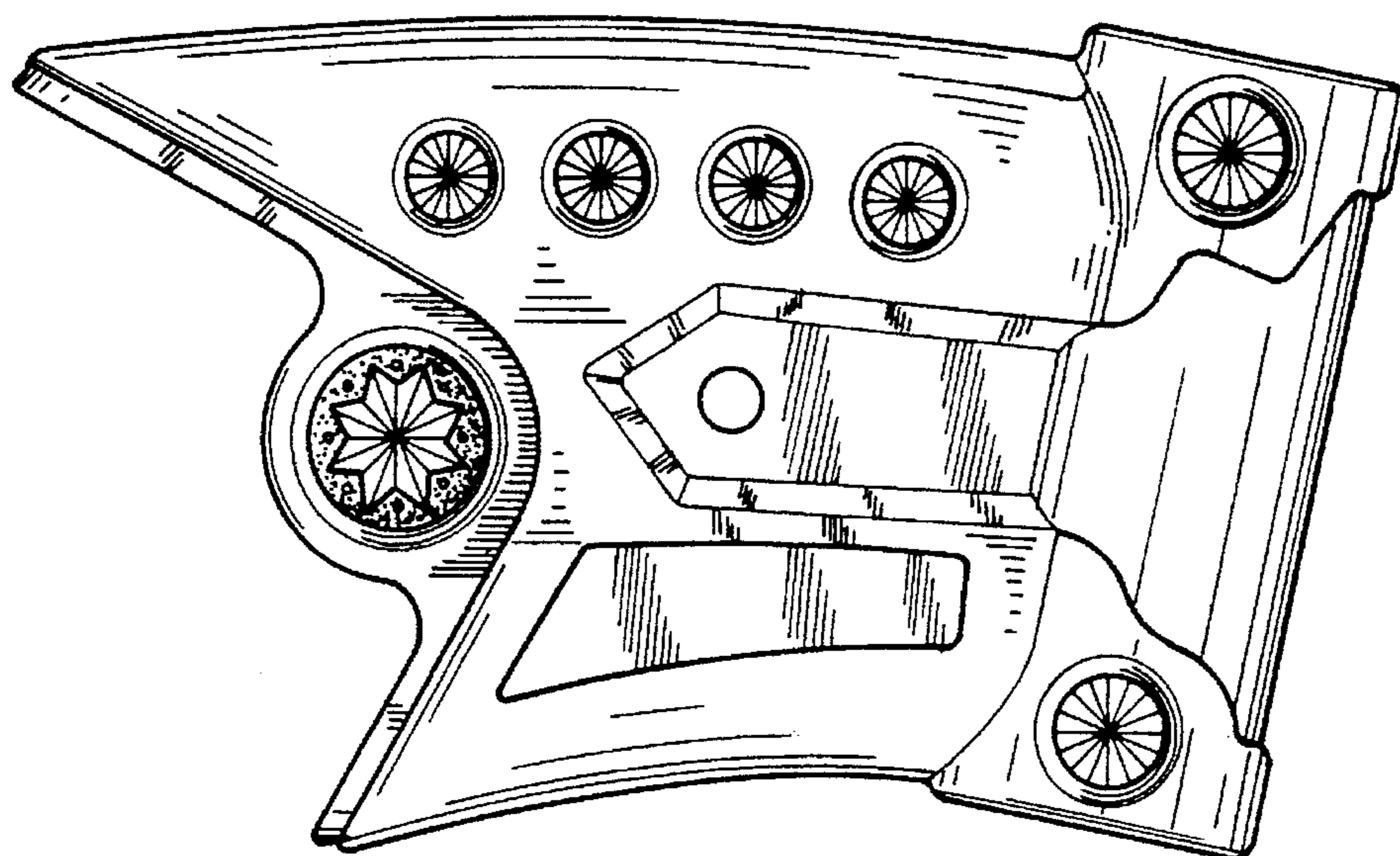


FIG. 4

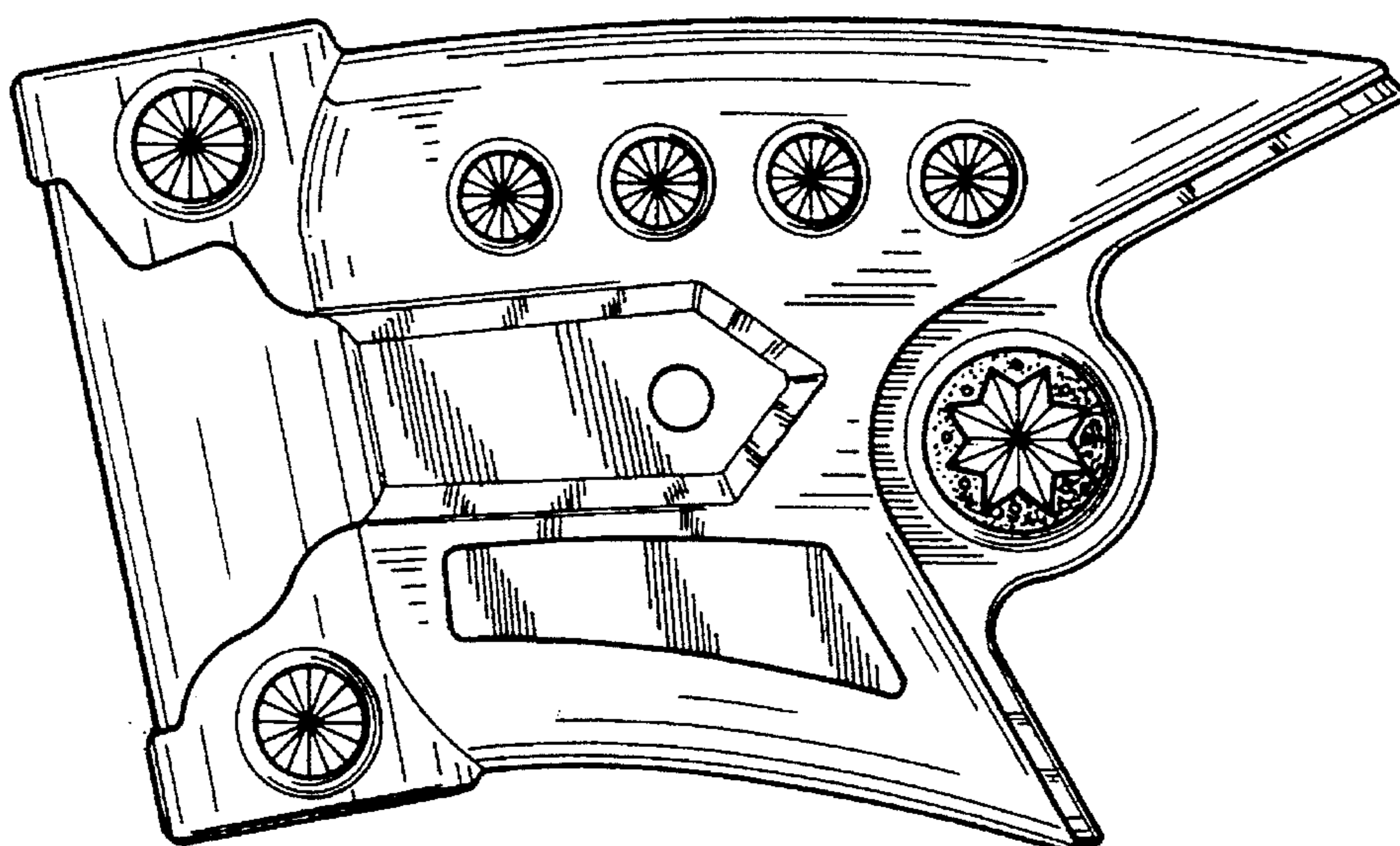


FIG. 5

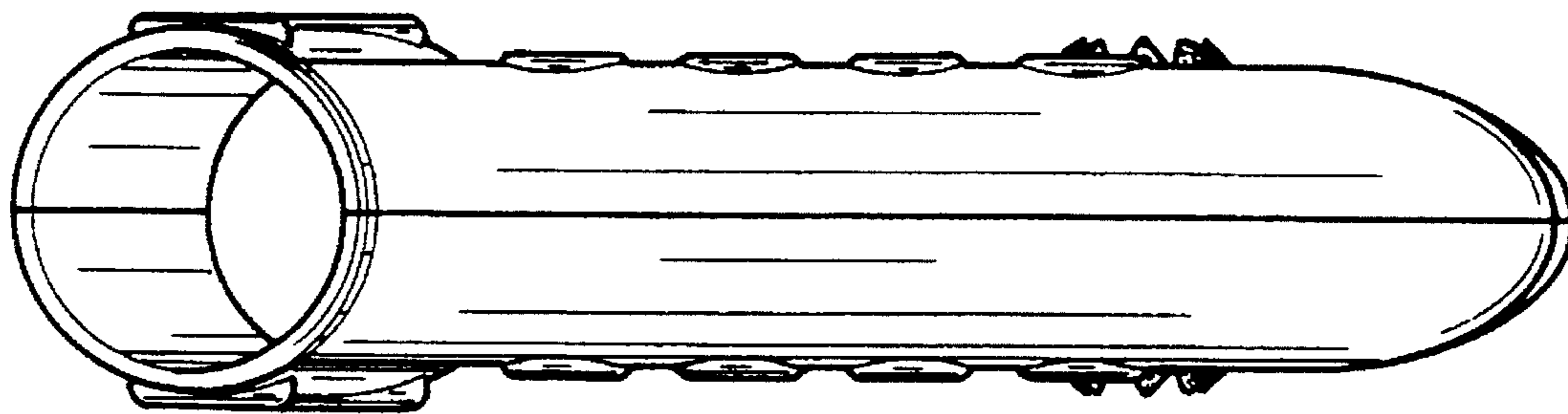


FIG. 6

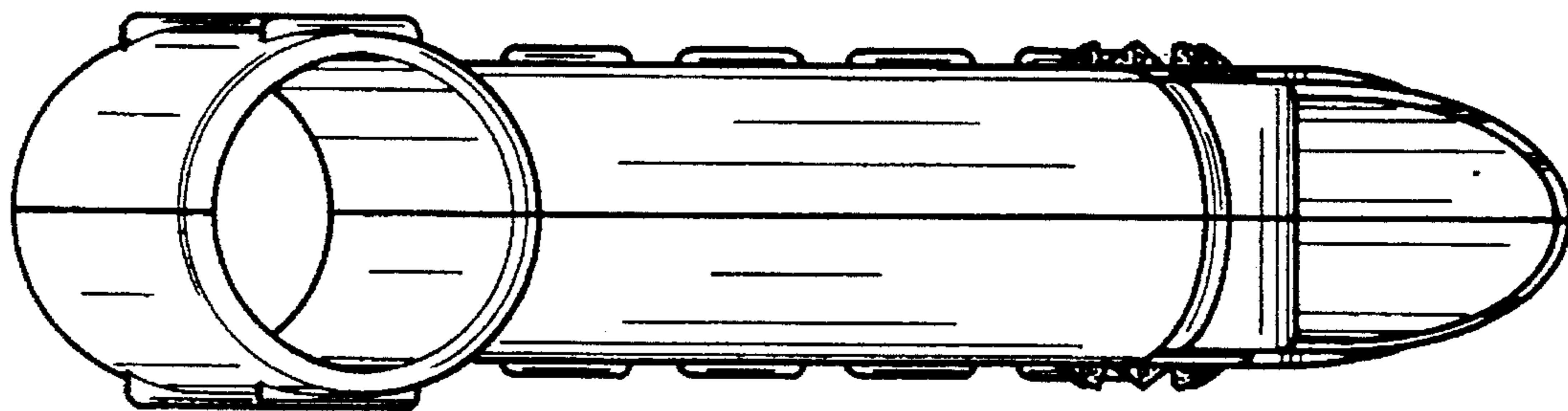


FIG. 7

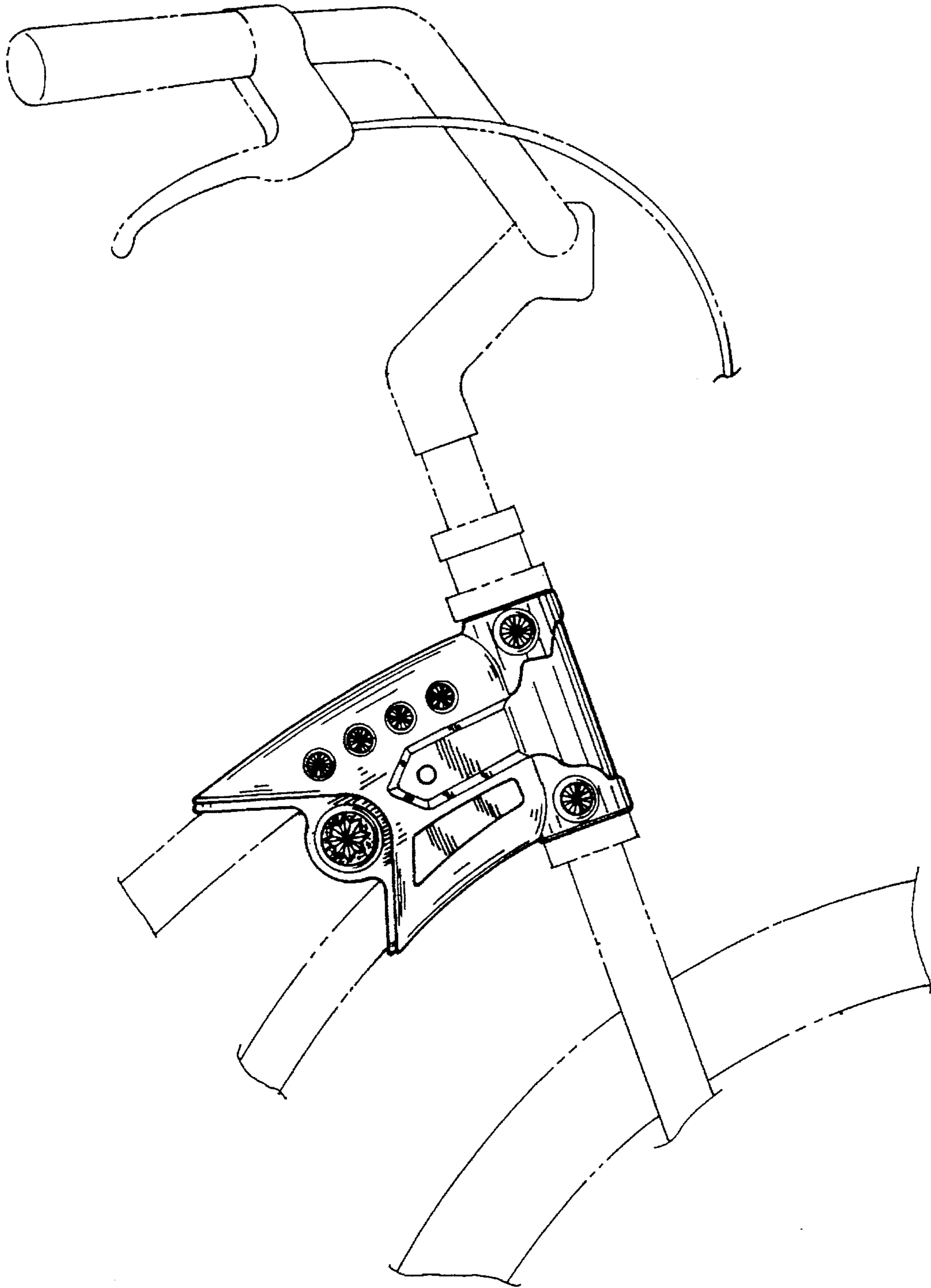


FIG. 8