



US00D376766S

**United States Patent** [19]  
**Cranford et al.**

[11] **Patent Number: Des. 376,766**  
[45] **Date of Patent: \*\*Dec. 24, 1996**

[54] **HAND-HELD PERSONAL SECURITY  
DEVICE FOR EMITTING A CHEMICAL  
SPRAY AS WELL AS PROVIDING AN  
AUDIBLE ALARM AND A LIGHT**

D. 355,863	2/1995	Collins .....	D10/106
3,901,209	8/1975	Woolsey et al. ....	D21/145
4,316,338	2/1982	Mason et al. .	
4,449,474	5/1984	Mariol .	
4,843,336	6/1989	Kuo .	

[76] Inventors: **Richard Cranford**, 401 Greensward  
La., A104, Del Ray Beach, Fla. 33445;  
**D. Robert Jordan**, 1094 Fisher La.,  
Winnetka, Ill. 60093

*Primary Examiner*—Marcus A. Jackson  
*Attorney, Agent, or Firm*—Dennis H. Lambert

[\*\*] Term: **14 Years**

[57] **CLAIM**

The ornamental design for a hand-held personal security device for emitting a chemical spray as well as providing an audible alarm and a light, as shown and described.

[21] Appl. No.: **31,207**

**DESCRIPTION**

[22] Filed: **Nov. 14, 1994**

[52] **U.S. Cl.** ..... **D10/106**; D21/145

FIG. 1 is a top, front and side perspective view of a hand-held personal security device for emitting a chemical spray as well as providing an audible alarm and a light according to the invention;

[58] **Field of Search** ..... D10/104, 106,  
D10/121; 340/540, 545, 546, 565, 568,  
571, 572, 573, 574; D21/145; 273/84 R

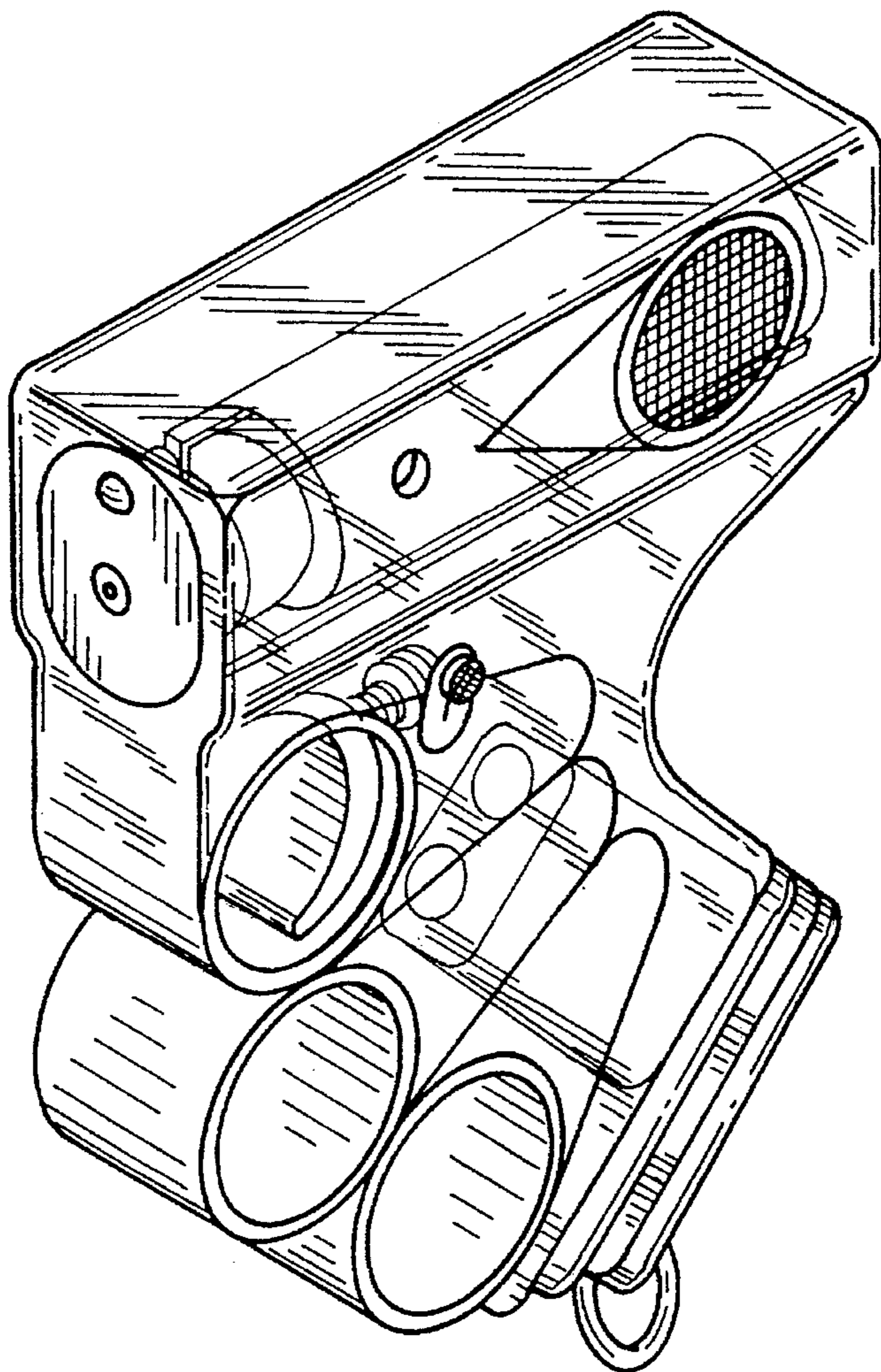
FIG. 2 is a right side view in elevation thereof;  
FIG. 3 is a left side view in elevation thereof;  
FIG. 4 is a front view in elevation thereof;  
FIG. 5 is a top plan view in elevation thereof;  
FIG. 6 is a rear elevational view thereof; and,  
FIG. 7 is a bottom plan view thereof.

[56] **References Cited**

**U.S. PATENT DOCUMENTS**

D. 283,684	5/1986	Francis .....	D10/106
D. 311,349	10/1990	Walsh .....	D10/106
D. 332,756	1/1993	Taylor .....	D10/106
D. 338,844	8/1993	Savio et al. ....	D10/106

**1 Claim, 2 Drawing Sheets**



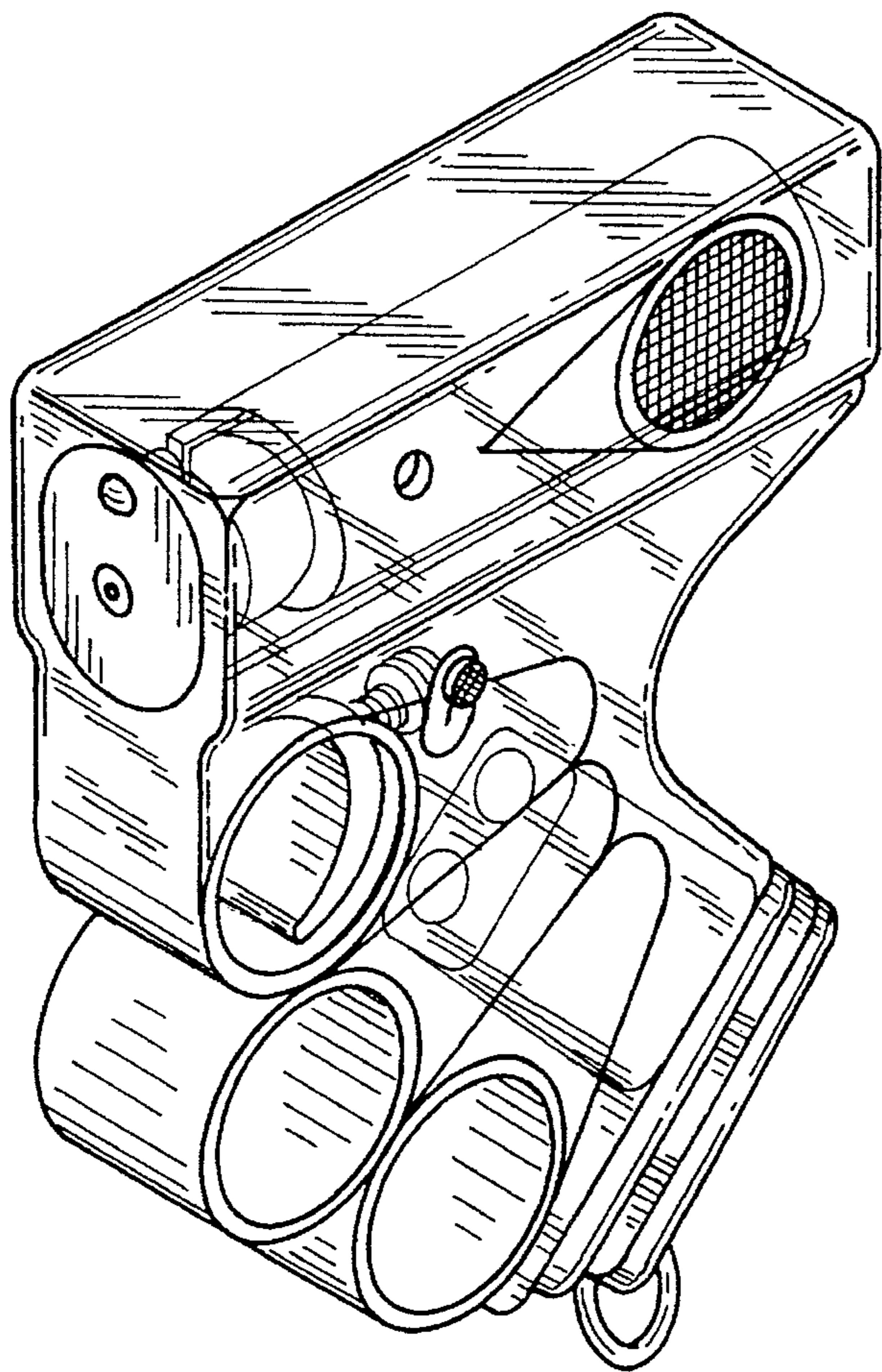


FIG. 1

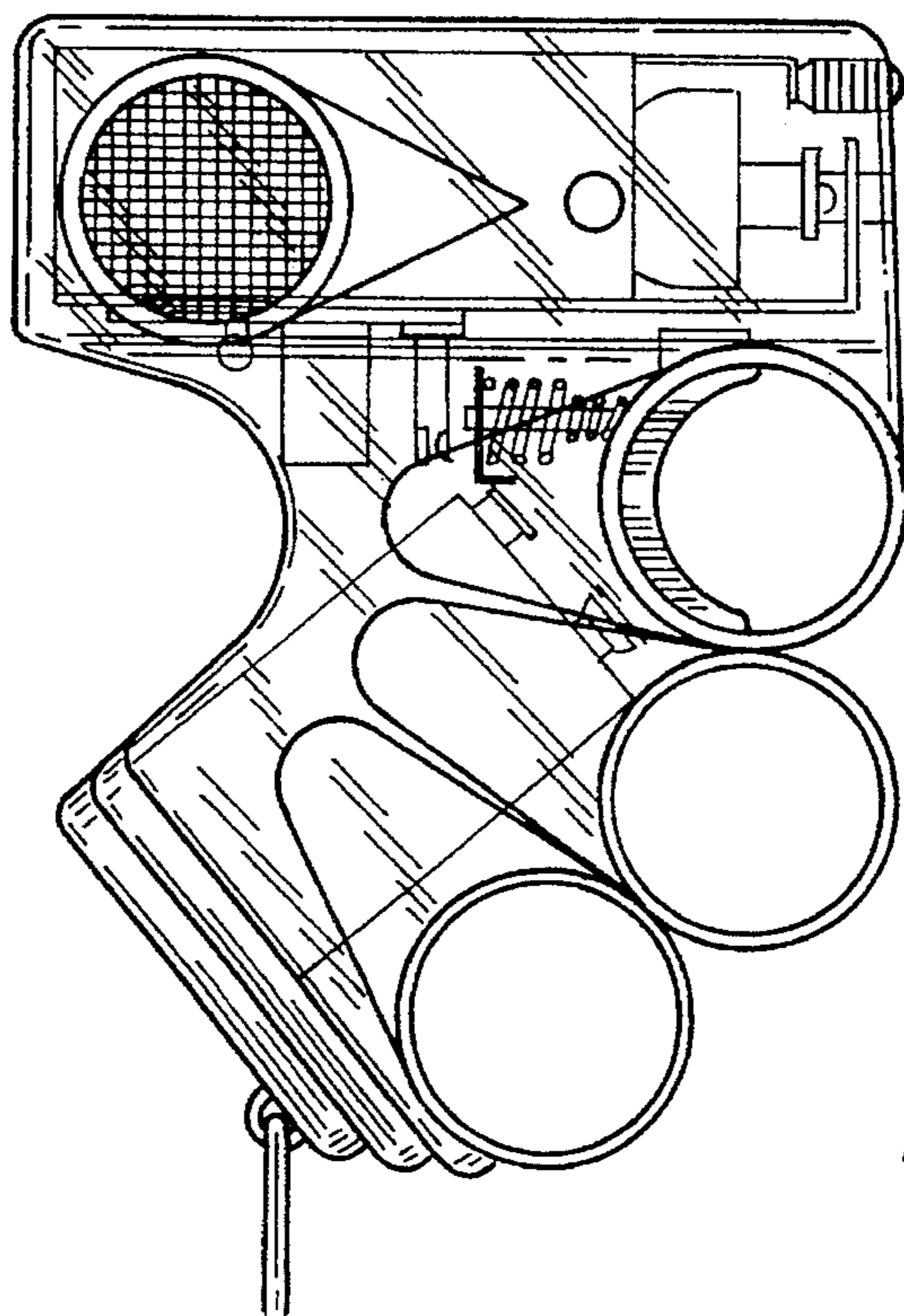


FIG. 2

FIG. 5

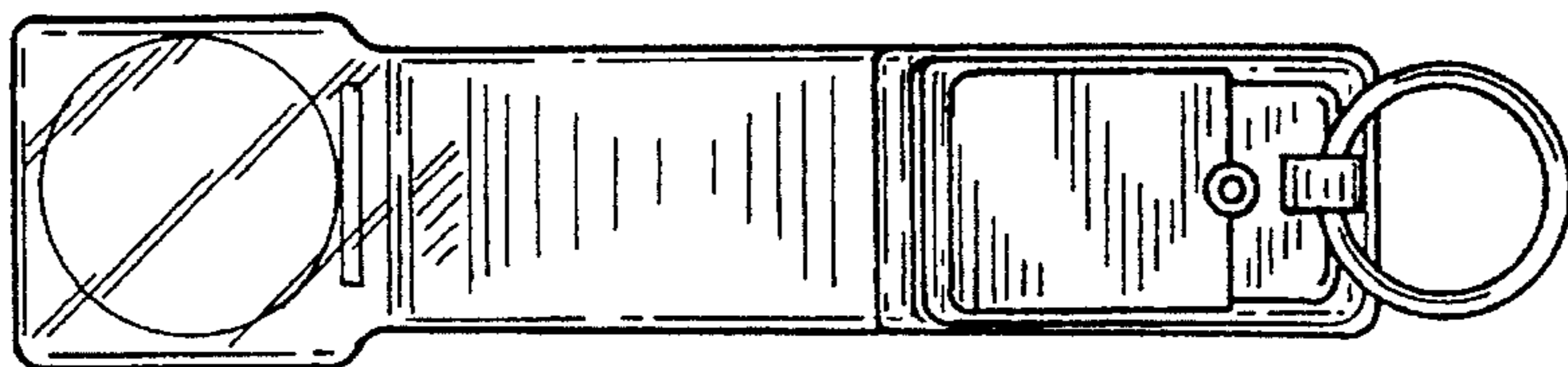


FIG. 6

FIG. 7

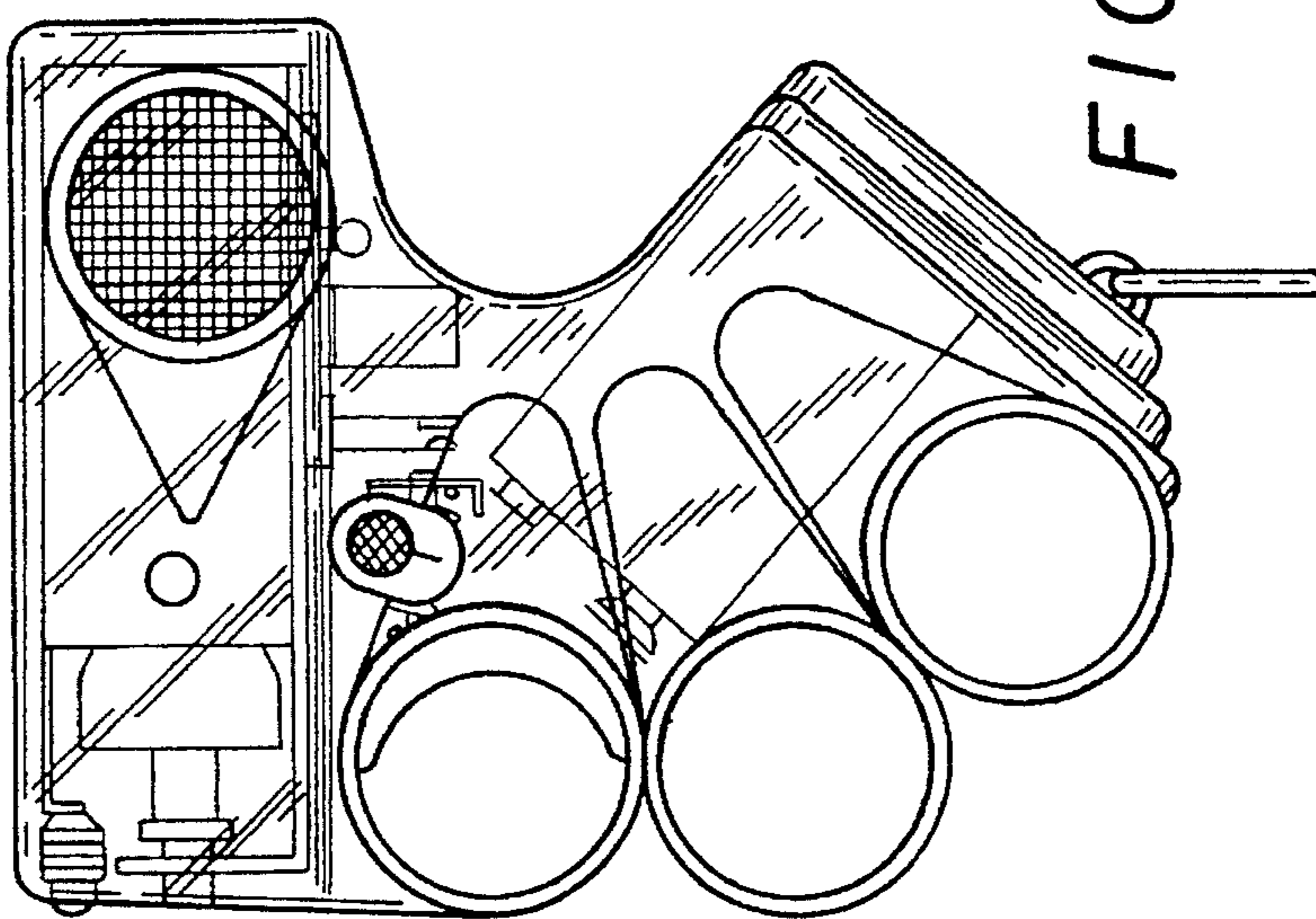
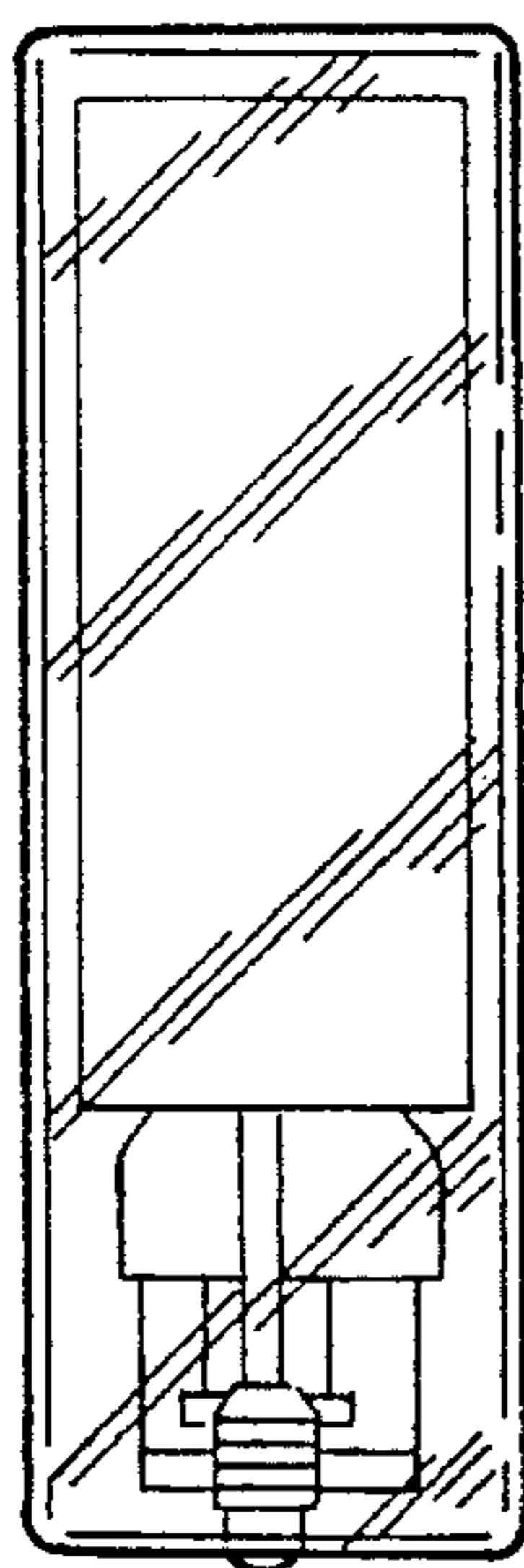


FIG. 3

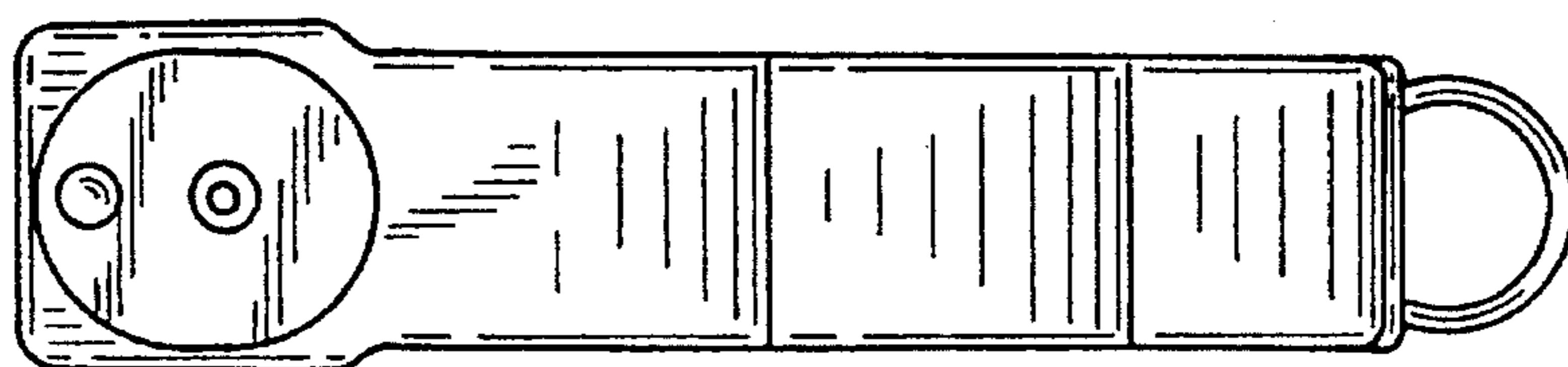


FIG. 4