



US00D376759S

United States Patent [19]

[11] Patent Number: **Des. 376,759**

Bradfield

[45] Date of Patent: ****Dec. 24, 1996**

[54] CONTAINER

4,821,884	4/1989	Griffin et al.	229/903 X
4,979,669	12/1990	Kerton	229/145 X
5,226,532	7/1993	Davidson et al.	229/242 X
5,252,793	10/1993	Woods	229/903 X

[75] Inventor: **Richard D. Bradfield**, Fetcham, United Kingdom

[73] Assignee: **Thomas J. Lipton Co., Division of Conopco, Inc.**, Englewood Cliffs, N.J.

FOREIGN PATENT DOCUMENTS

406556	1/1991	European Pat. Off.	229/242
690054	4/1953	United Kingdom .	

[**] Term: **14 Years**

Primary Examiner—Sandra L. Morris
Assistant Examiner—Nanda Bondade
Attorney, Agent, or Firm—James J. Farrell

[21] Appl. No.: **39,931**

[22] Filed: **Jun. 7, 1995**

[57] CLAIM

[30] Foreign Application Priority Data

The ornamental design for a container, as shown and described.

Dec. 9, 1994 [GB] United Kingdom 2043839

[52] U.S. Cl. **D9/432**

[58] Field of Search D9/414, 415, 418, D9/430, 431; 229/145, 242, 903

DESCRIPTION

[56] References Cited

U.S. PATENT DOCUMENTS

D. 244,833	6/1977	Persson	D9/433 X
D. 312,402	11/1990	Boggus, Jr.	D9/432
2,515,327	7/1950	Bergstein	229/145 X
2,701,090	2/1955	Buttery .	
3,623,650	11/1971	Watts .	
4,432,489	2/1984	Cote .	
4,798,323	1/1989	Platt .	

FIG. 1 is a front, top and right side perspective view of a container showing my new design;
FIG. 2 is a left side elevational view thereof;
FIG. 3 is a rear elevational view thereof;
FIG. 4 is a bottom plan view thereof; and,
FIG. 5 is a perspective view thereof, with the lid in an open position.
The broken line shown on FIGS. 1, 2 and 5 represent the tear lines.

1 Claim, 3 Drawing Sheets

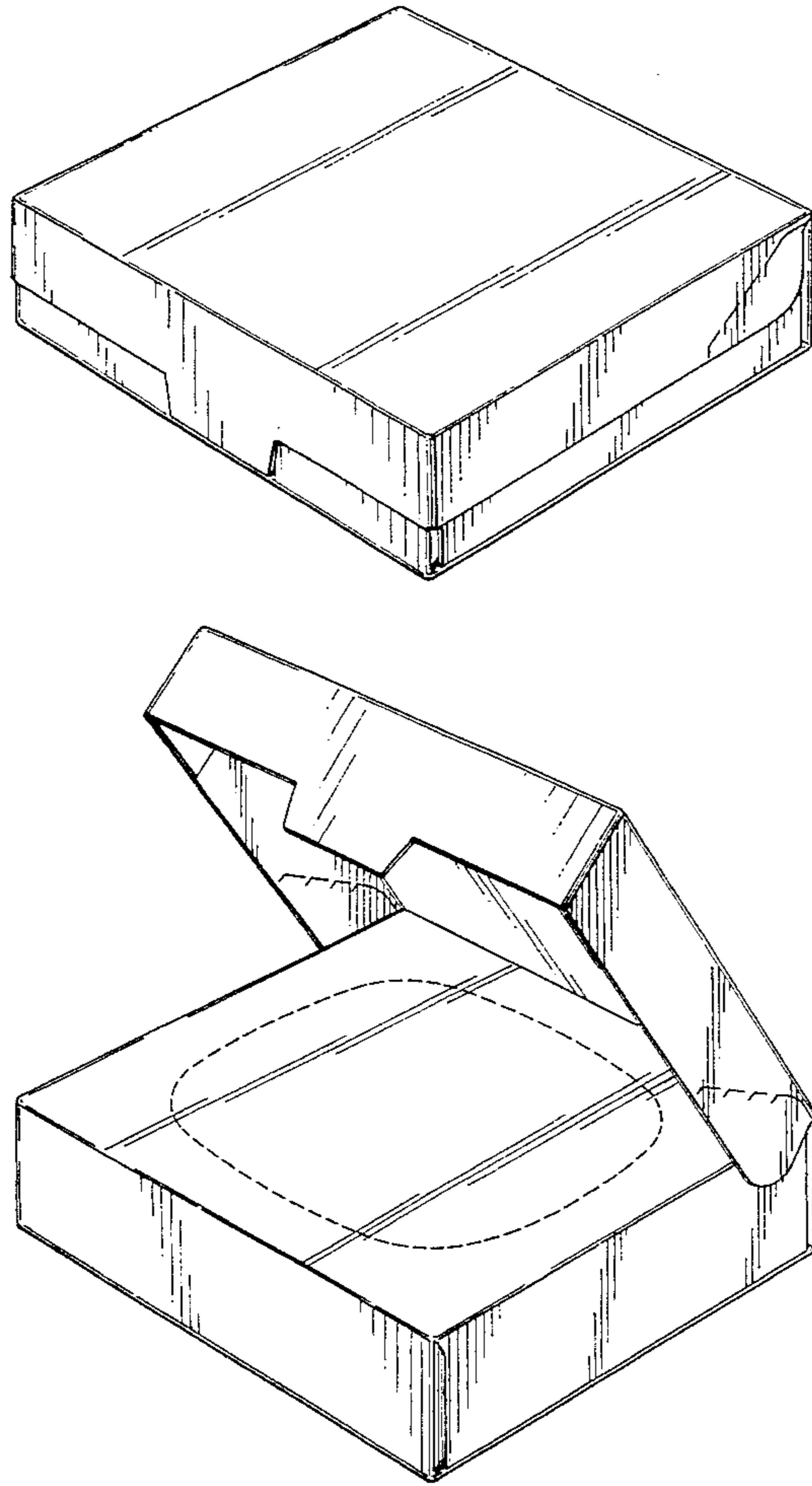


Fig.1.

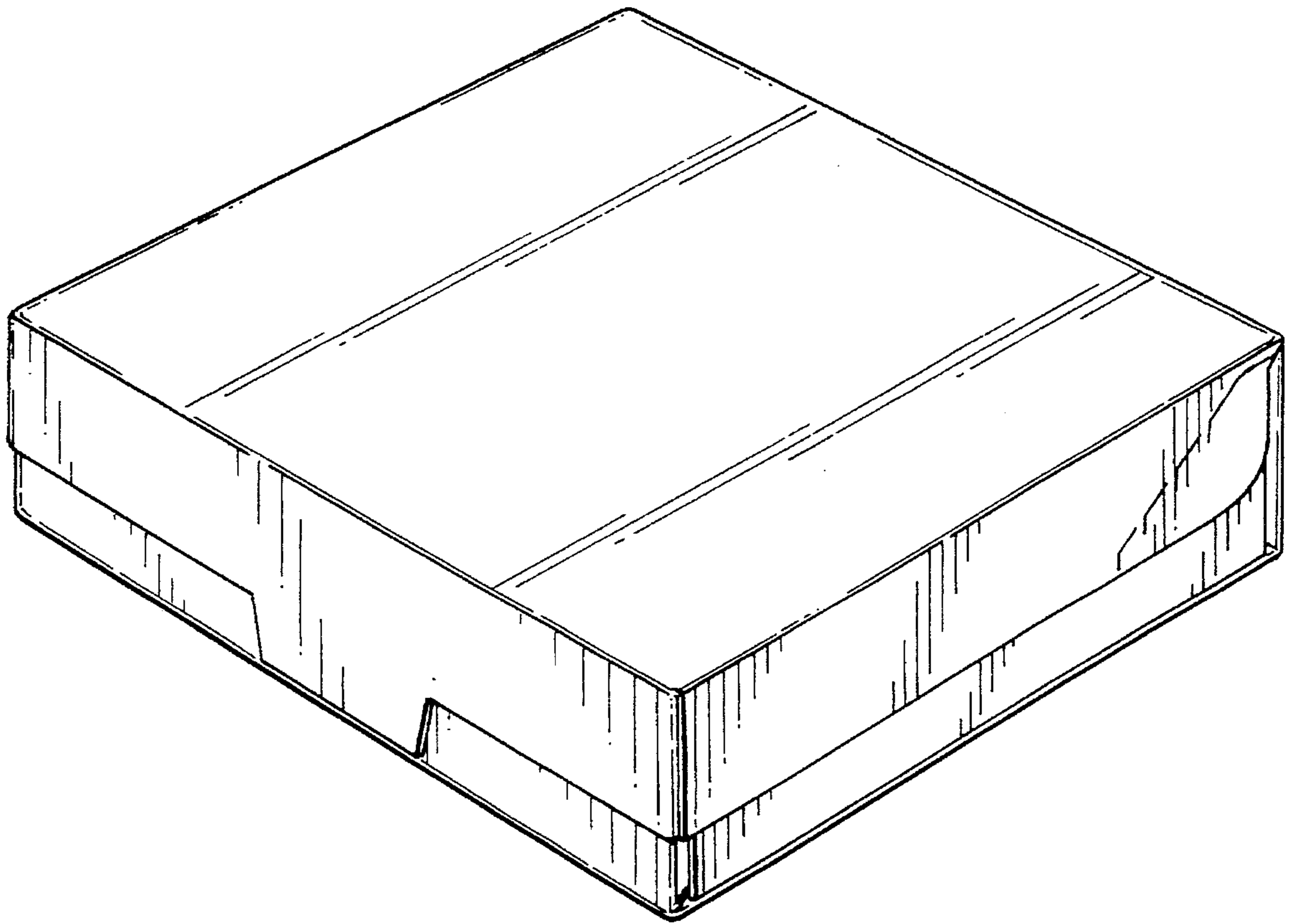


Fig.2.

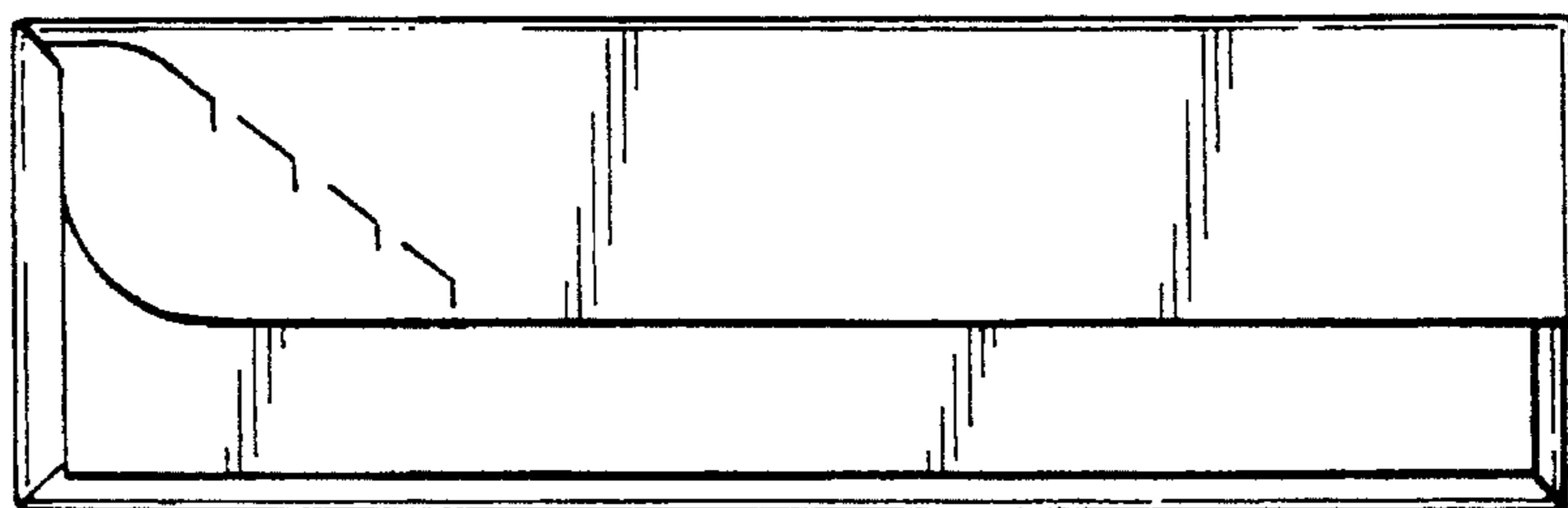


Fig.3.

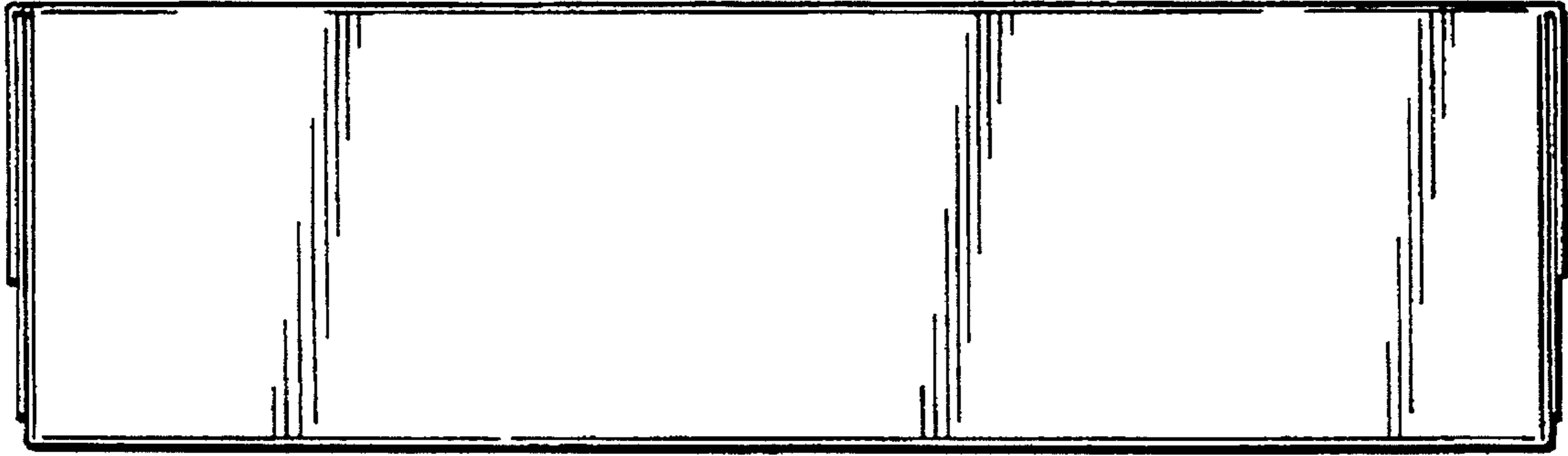


Fig.4.

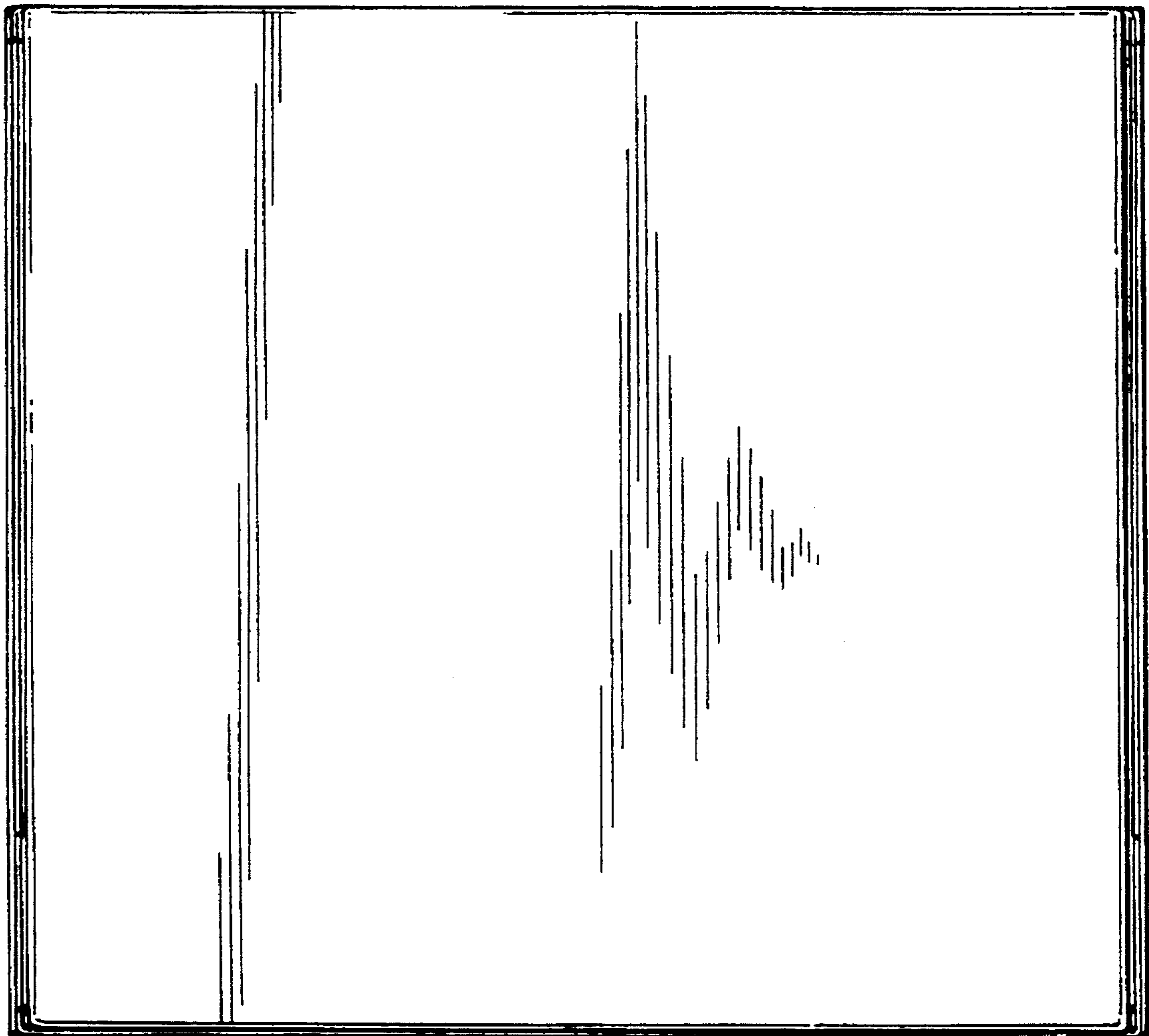


Fig.5.

