



US00D376756S

United States Patent [19]

[11] Patent Number: **Des. 376,756**

Adams

[45] Date of Patent: ****Dec. 24, 1996**

[54] **REMOVABLE FASTENER**

3,995,820	12/1976	Einhorn	248/216.1
3,995,821	12/1976	Einhorn	248/216.1
4,796,848	1/1989	Lanz	248/71

[75] Inventor: **William E. Adams**, Portersville, Pa.

[73] Assignee: **Adams Mfg. Corp.**, Portersville, Pa.

[**] Term: **14 Years**

Primary Examiner—Paula A. Mortimer
Attorney, Agent, or Firm—Buchanan Ingersoll, P.C.; Lynn J. Alstadt

[21] Appl. No.: **48,474**

[57] **CLAIM**

[22] Filed: **Dec. 29, 1995**

The ornamental design for a removable fastener, as shown and described.

[52] U.S. Cl. **D8/382**

[58] Field of Search D8/380, 382; 24/457, 24/563; 248/71, 74.5, 547, 216.1, 216.4; 411/439, 470, 920

DESCRIPTION

[56] **References Cited**

U.S. PATENT DOCUMENTS

694,996	3/1902	Sauer .	
1,116,573	11/1914	Day et al.	248/71 X
1,600,224	9/1926	Grundy .	
1,914,256	6/1933	Holmes	411/470
2,280,983	4/1942	Stover	248/71
2,681,196	6/1954	Lind .	
2,961,210	11/1960	Pfaff et al. .	
2,984,442	5/1961	Lawson .	

FIG. 1 is a front perspective view of a removable fastener showing my new design;
FIG. 2 is a left side view, the right side being a mirror image thereof;
FIG. 3 is a bottom view thereof;
FIG. 4 is a top view thereof;
FIG. 5 is a rear view thereof; and,
FIG. 6 is a front view thereof.
The broken line showing of the nail in FIG. 2 is for illustrative purposes only and forms no part of the claimed design.

1 Claim, 1 Drawing Sheet

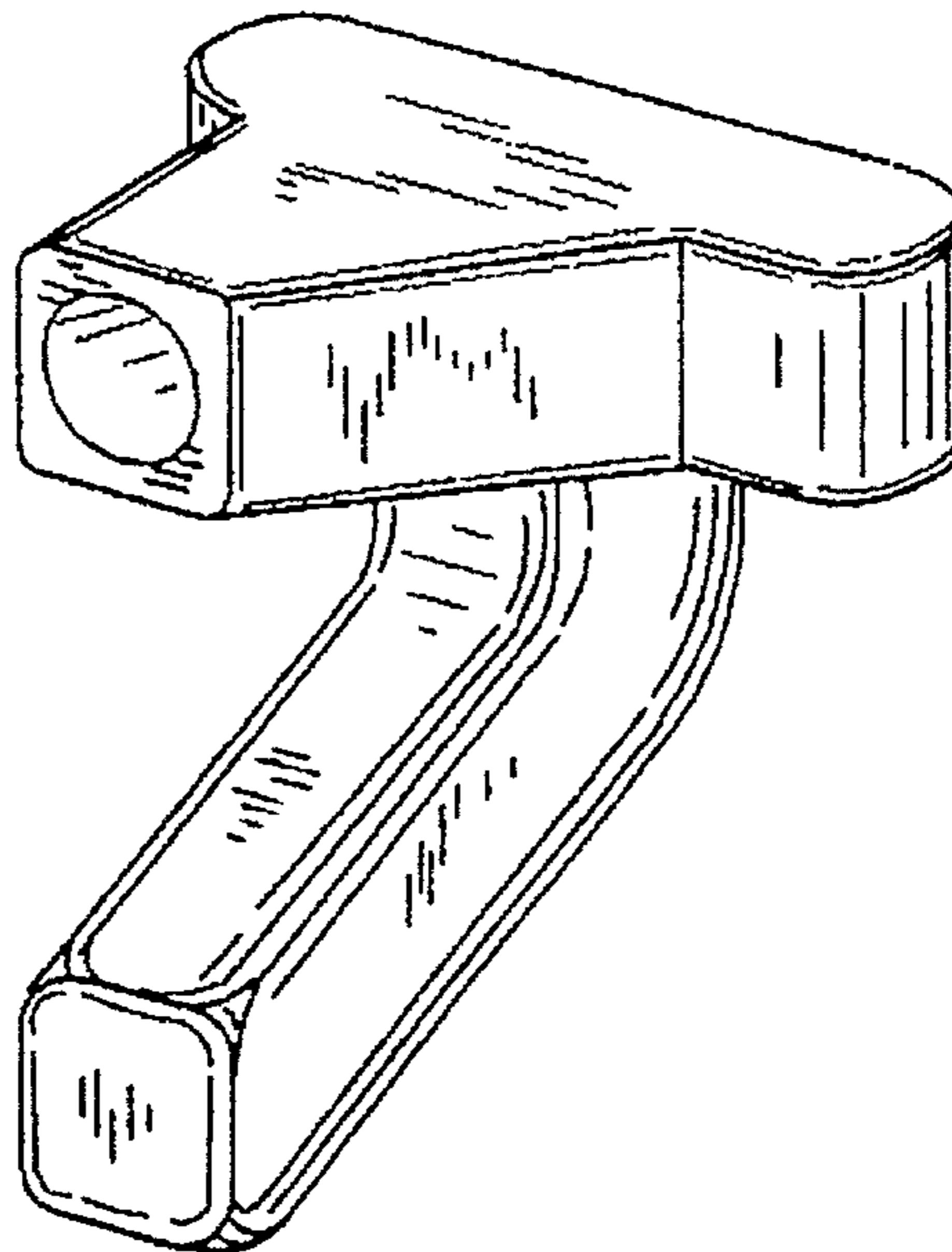


Fig.1.

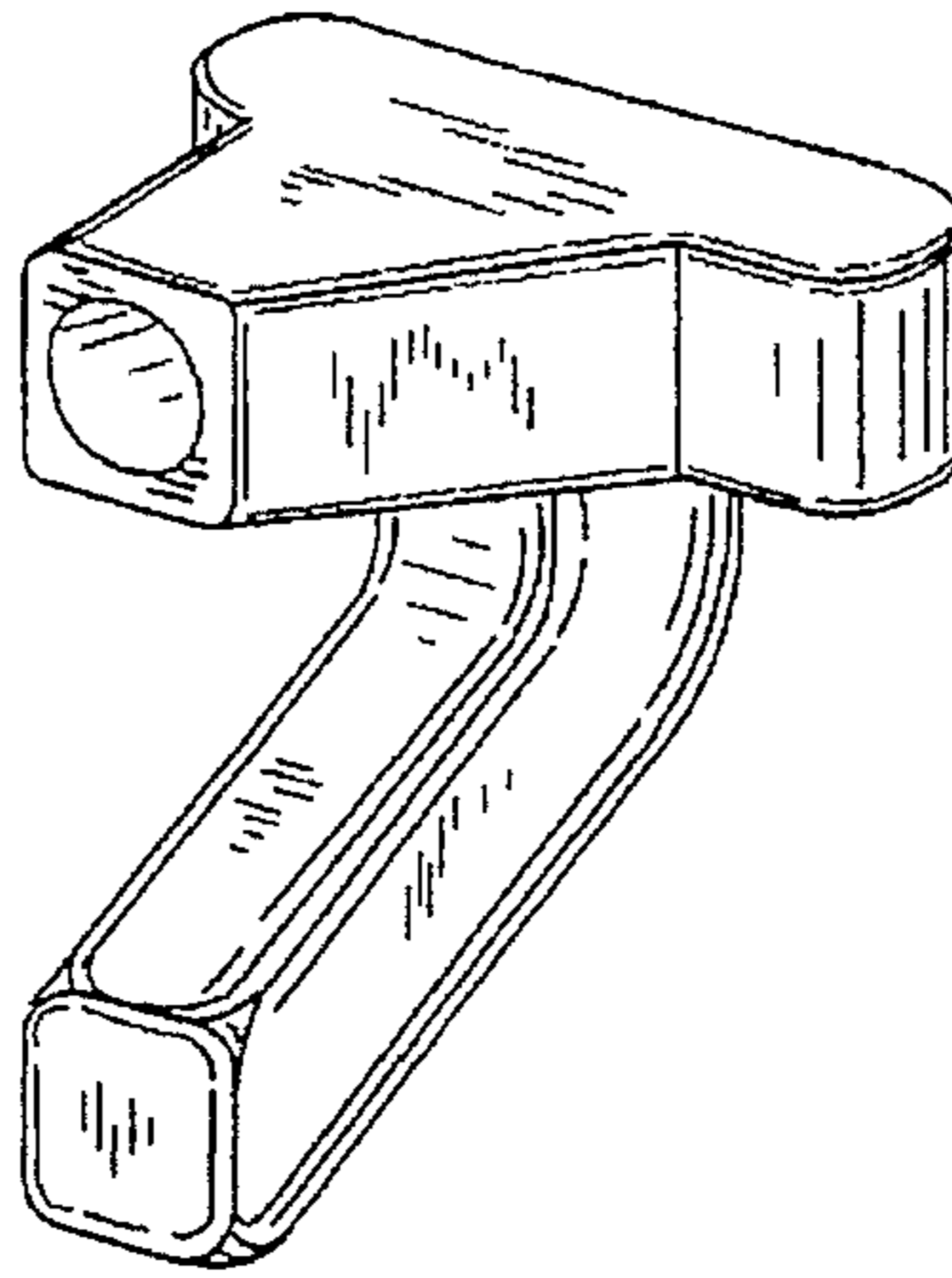


Fig.2.

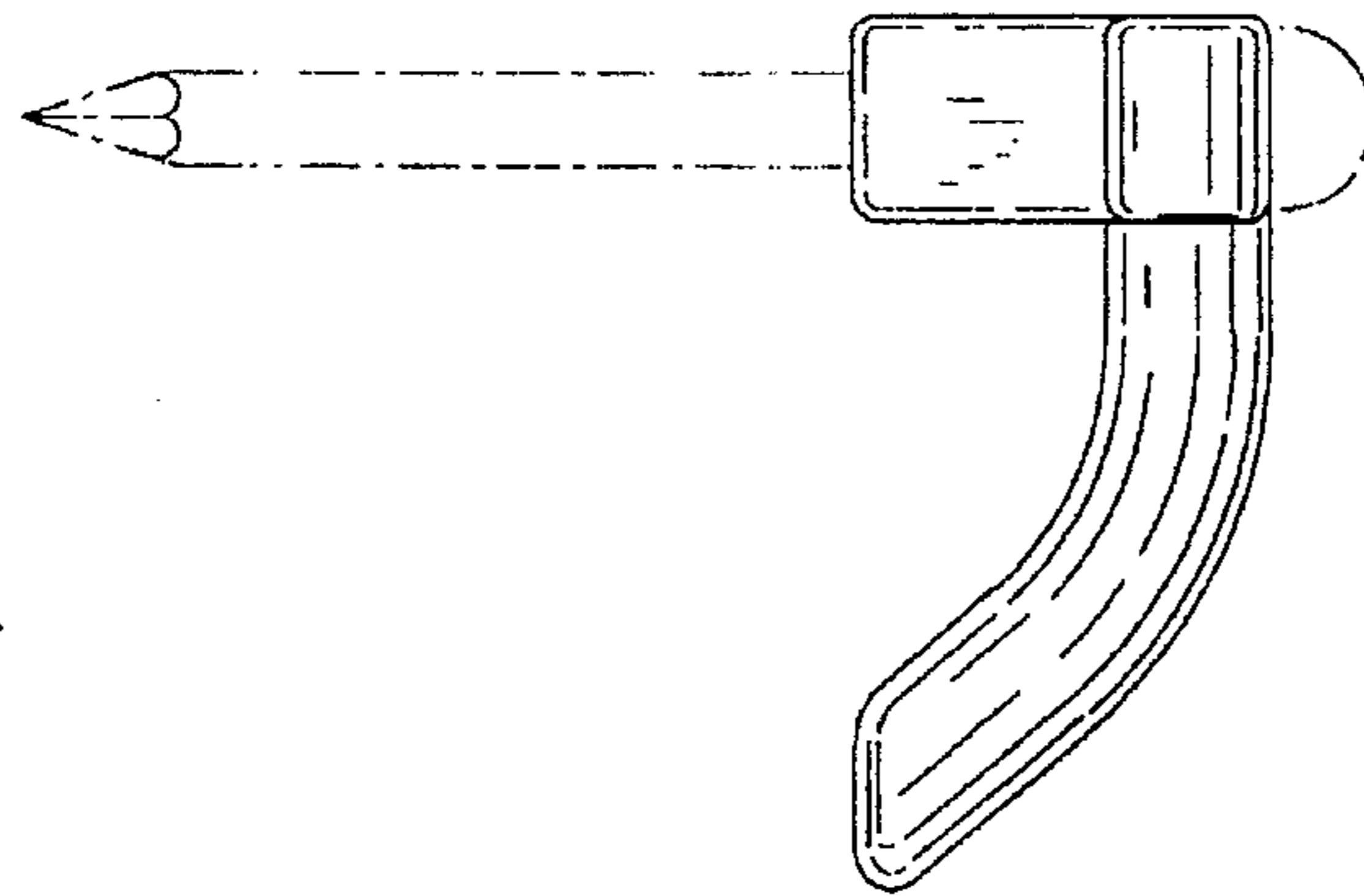


Fig.3.

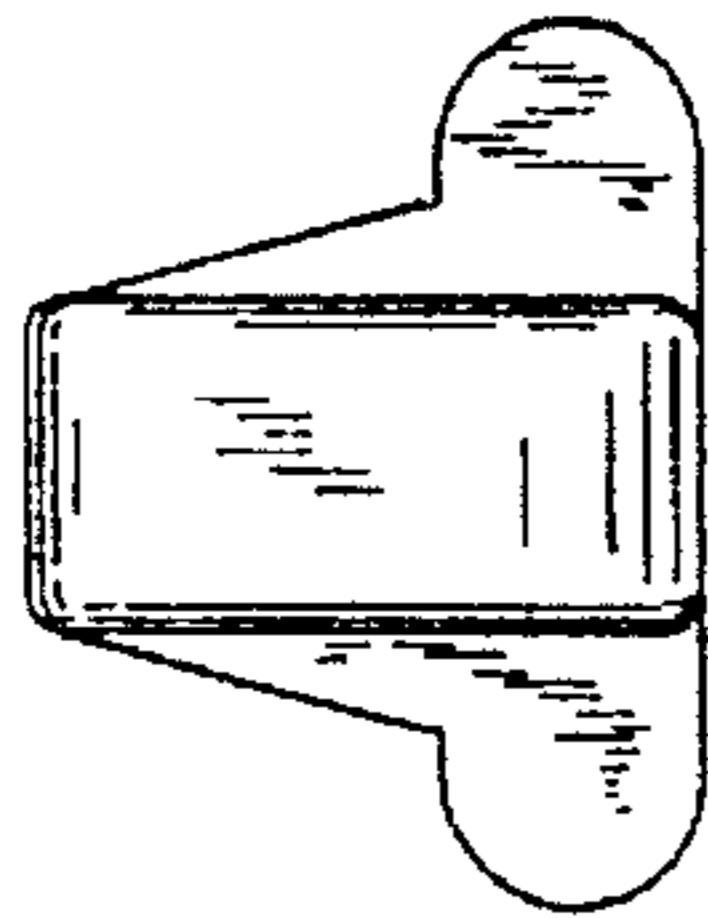


Fig.4.

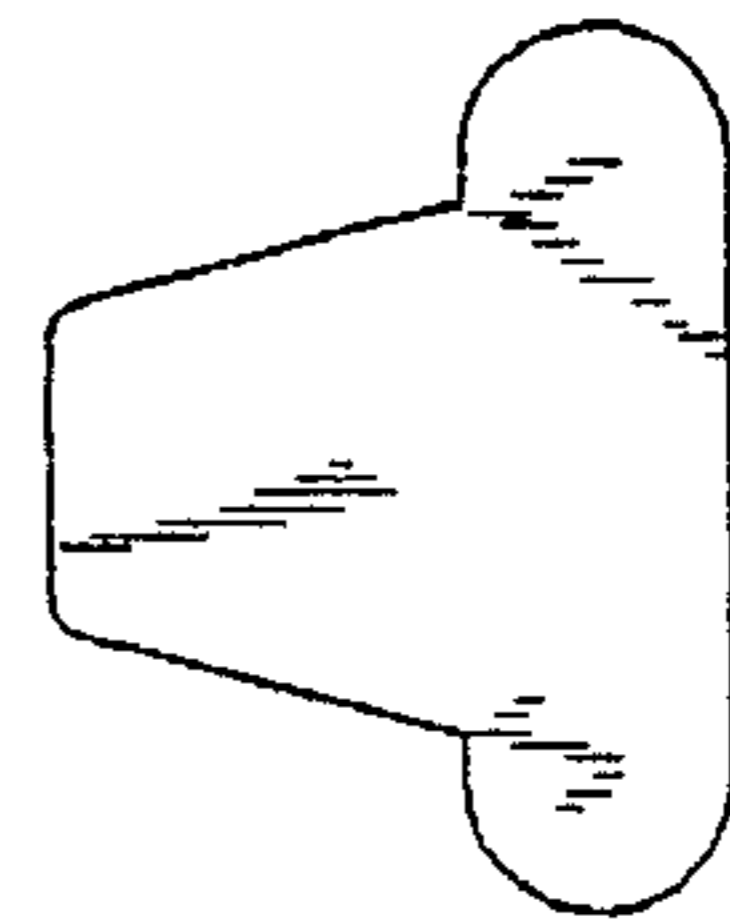


Fig.5.

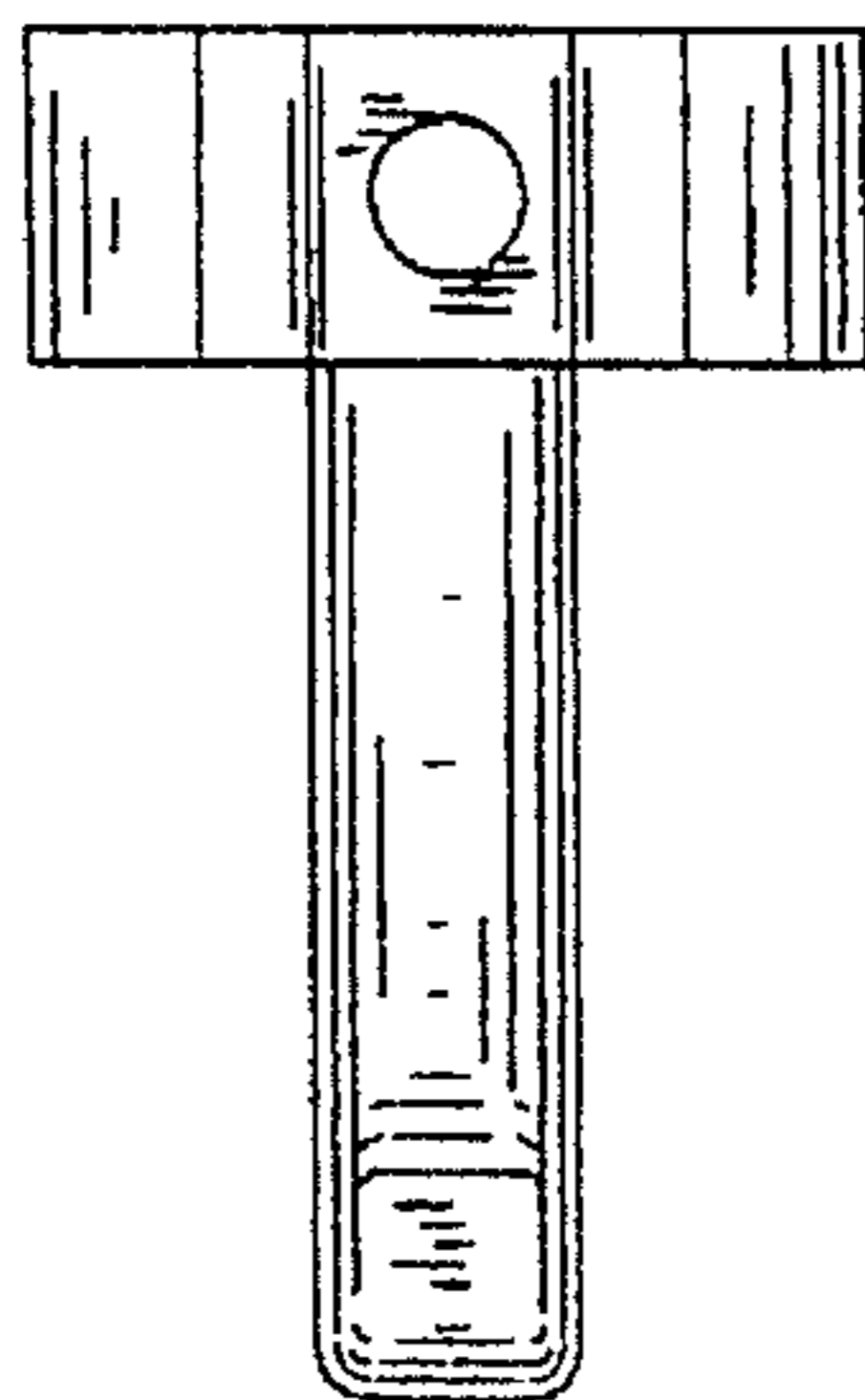


Fig.6.

