



US00D376755S

# United States Patent [19]

[11] Patent Number: **Des. 376,755**

Cox

[45] Date of Patent: **\*\*Dec. 24, 1996**

[54] CURTAIN ROD HANGER

[76] Inventor: **Lonnie E. Cox**, 179 Richardson Rd., Maynard, Ark. 72444

[\*\*] Term: **14 Years**

[21] Appl. No.: **47,803**

[22] Filed: **Oct. 31, 1995**

[52] U.S. Cl. .... **D8/380**

[58] Field of Search ..... D8/349, 354, 373, D8/380; 248/259-262

### [56] References Cited

#### U.S. PATENT DOCUMENTS

D. 140,446	2/1945	Pavese	.....	D8/372	X
D. 142,540	10/1945	White	.....	D8/380	X
2,679,373	5/1954	Henley	.....	248/262	
2,770,437	11/1956	Pasch	.....	248/262	
5,146,648	9/1992	Hudson	.....	248/261	X

Primary Examiner—Holly H. Baynham  
Attorney, Agent, or Firm—Walker, McKenzie & Walker, P.C.

### [57] CLAIM

The ornamental design for a curtain rod hanger, as shown and described.

### DESCRIPTION

FIG. 1 is a perspective view of a curtain rod hanger as taken from the right front elevation, showing a first embodiment of the new design;

FIG. 2 is a perspective view of the curtain rod hanger of FIG. 1, as taken from the left rear elevation;

FIG. 3 is a front elevational view of the curtain rod hanger of FIG. 1;

FIG. 4 is a rear elevational view of the curtain rod hanger of FIG. 1;

FIG. 5 is a top plan view of the curtain rod hanger of FIG. 1;

FIG. 6 is a bottom plan view of the curtain rod hanger of FIG. 1;

FIG. 7 is a left side elevational view of the curtain rod hanger of FIG. 1;

FIG. 8 is a right side elevational view of the curtain rod hanger of FIG. 1;

FIG. 9 is a perspective view of a curtain rod hanger as taken from the left front elevation, showing a second embodiment of the new design;

FIG. 10 is a perspective view of the curtain rod hanger of FIG. 9, as taken from the right rear elevation;

FIG. 11 is a front elevational view of the curtain rod hanger of FIG. 9;

FIG. 12 is a rear elevational view of the curtain rod hanger of FIG. 9;

FIG. 13 is a top plan view of the curtain rod hanger of FIG. 9;

FIG. 14 is a bottom view of the curtain rod hanger of FIG. 9;

FIG. 15 is a left side elevational view of the curtain rod hanger of FIG. 9; and,

FIG. 16 is a right side elevational view of the curtain rod hanger of FIG. 9.

1 Claim, 2 Drawing Sheets

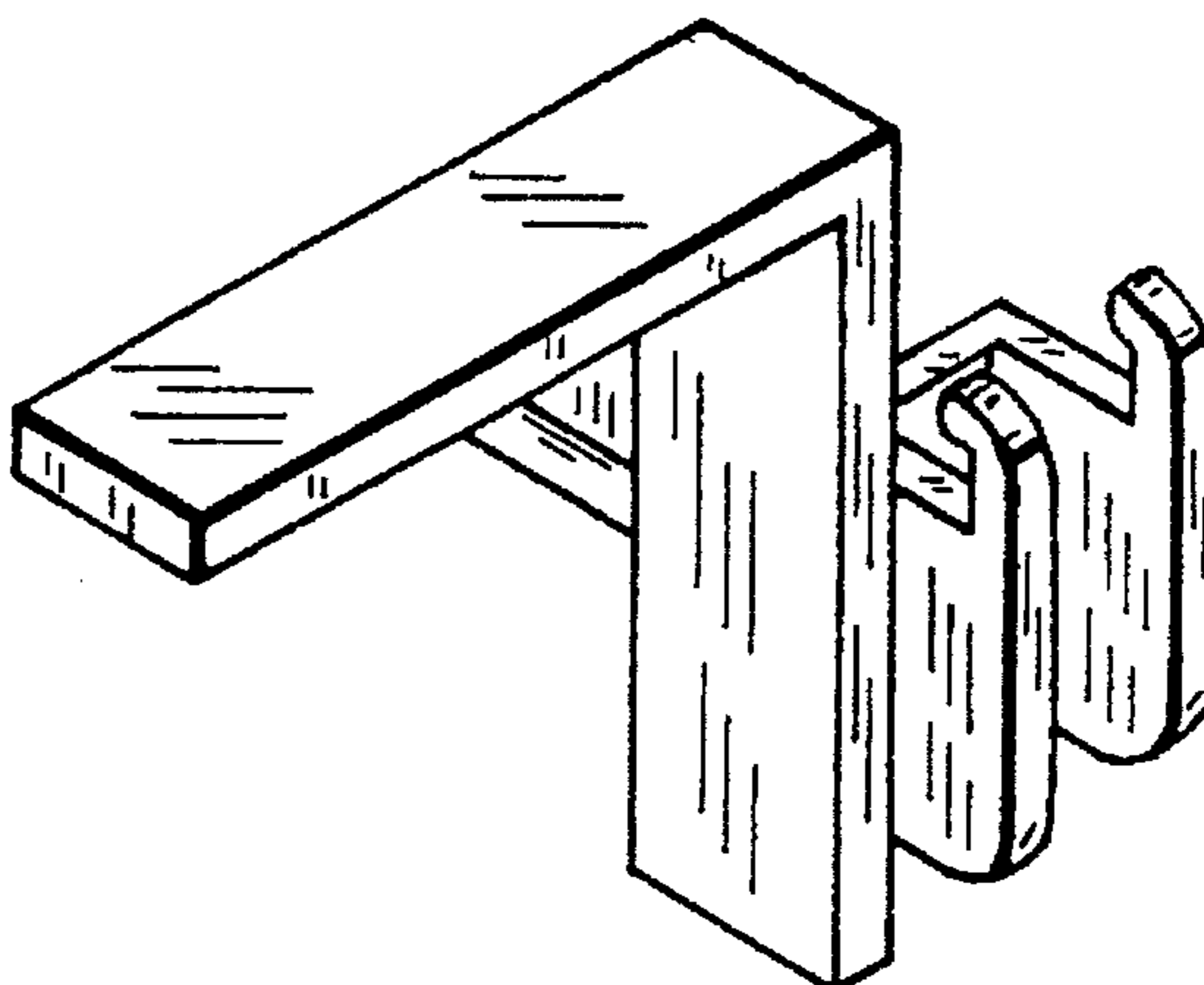
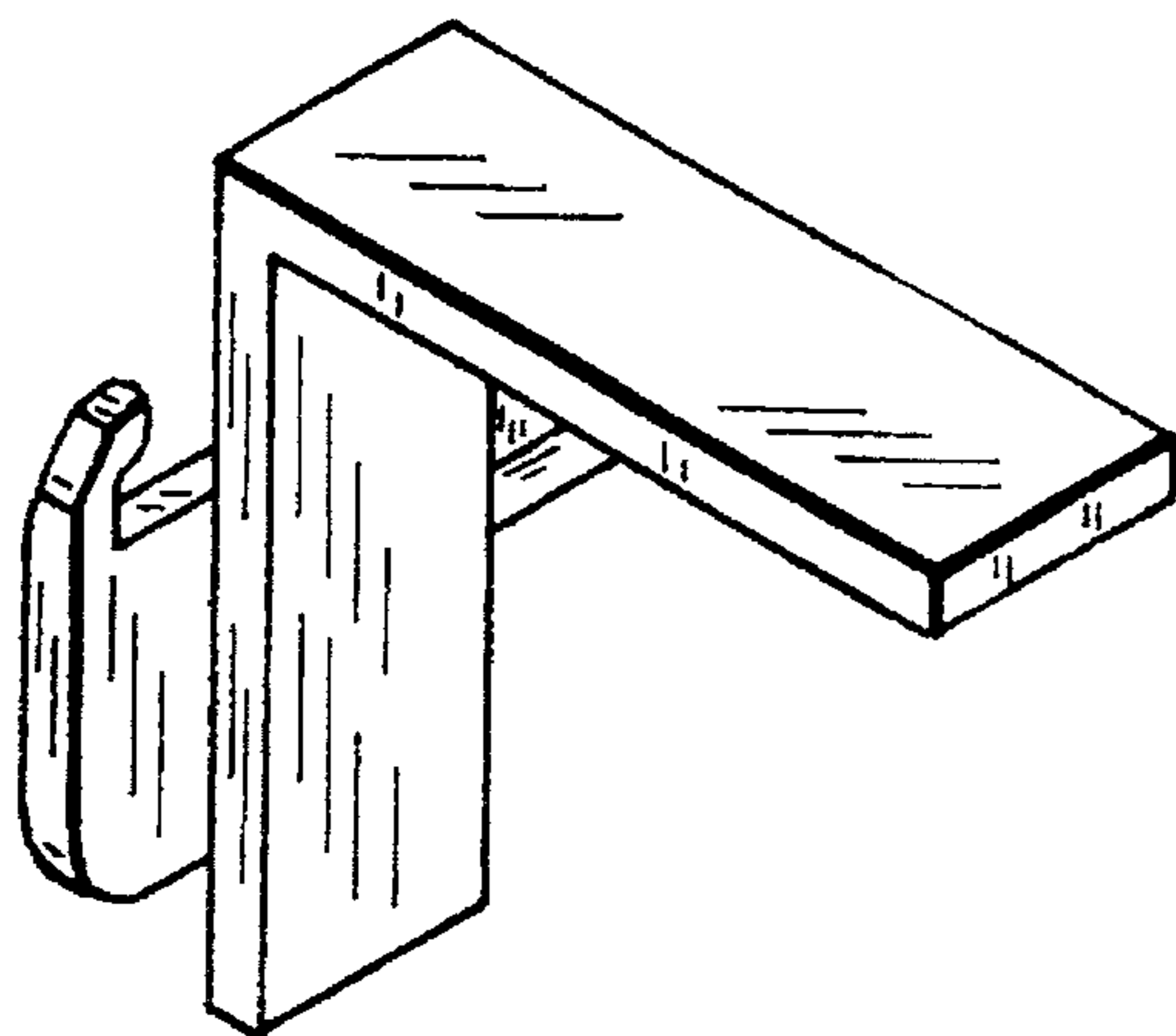


FIG. 1

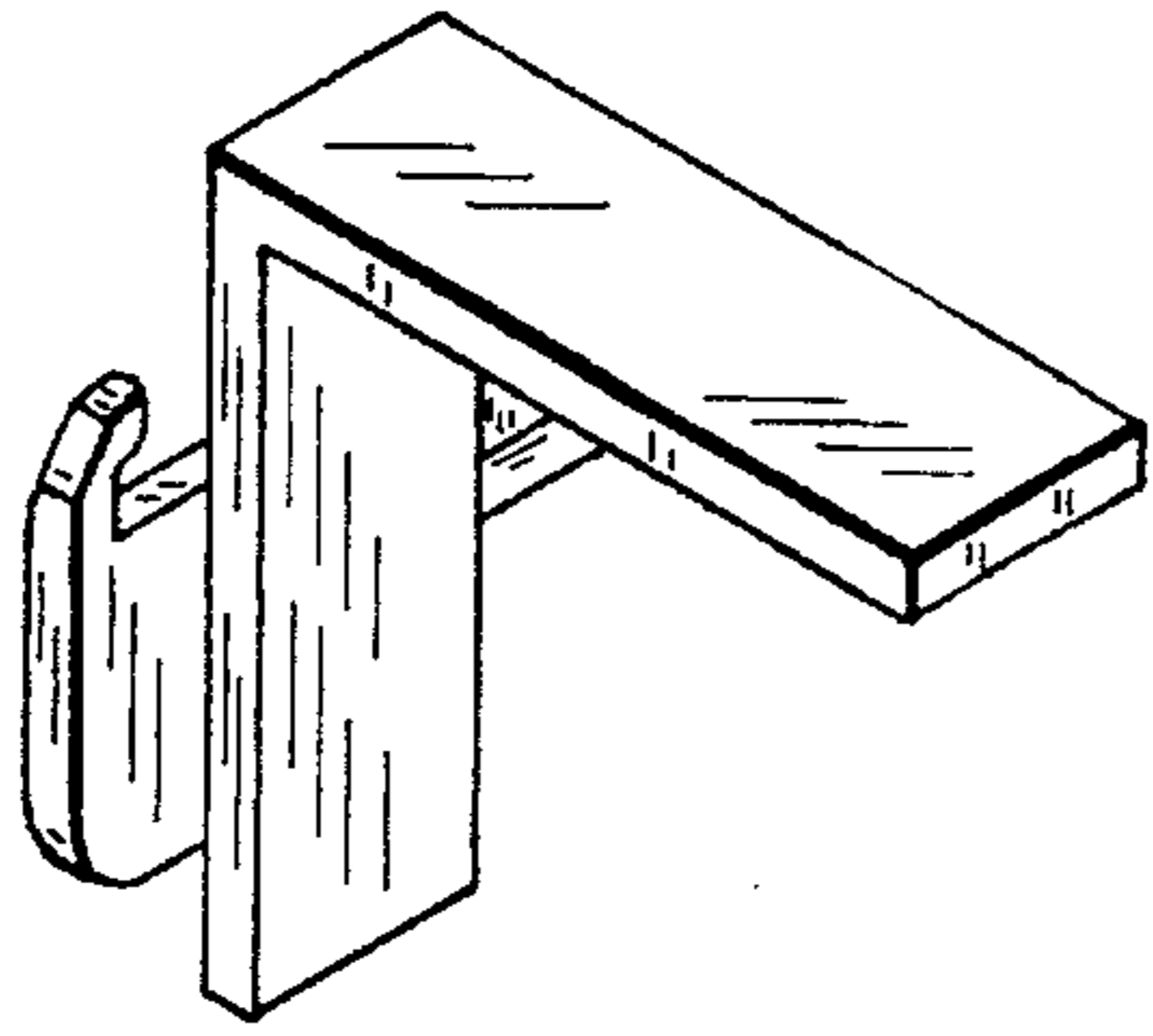


FIG. 2

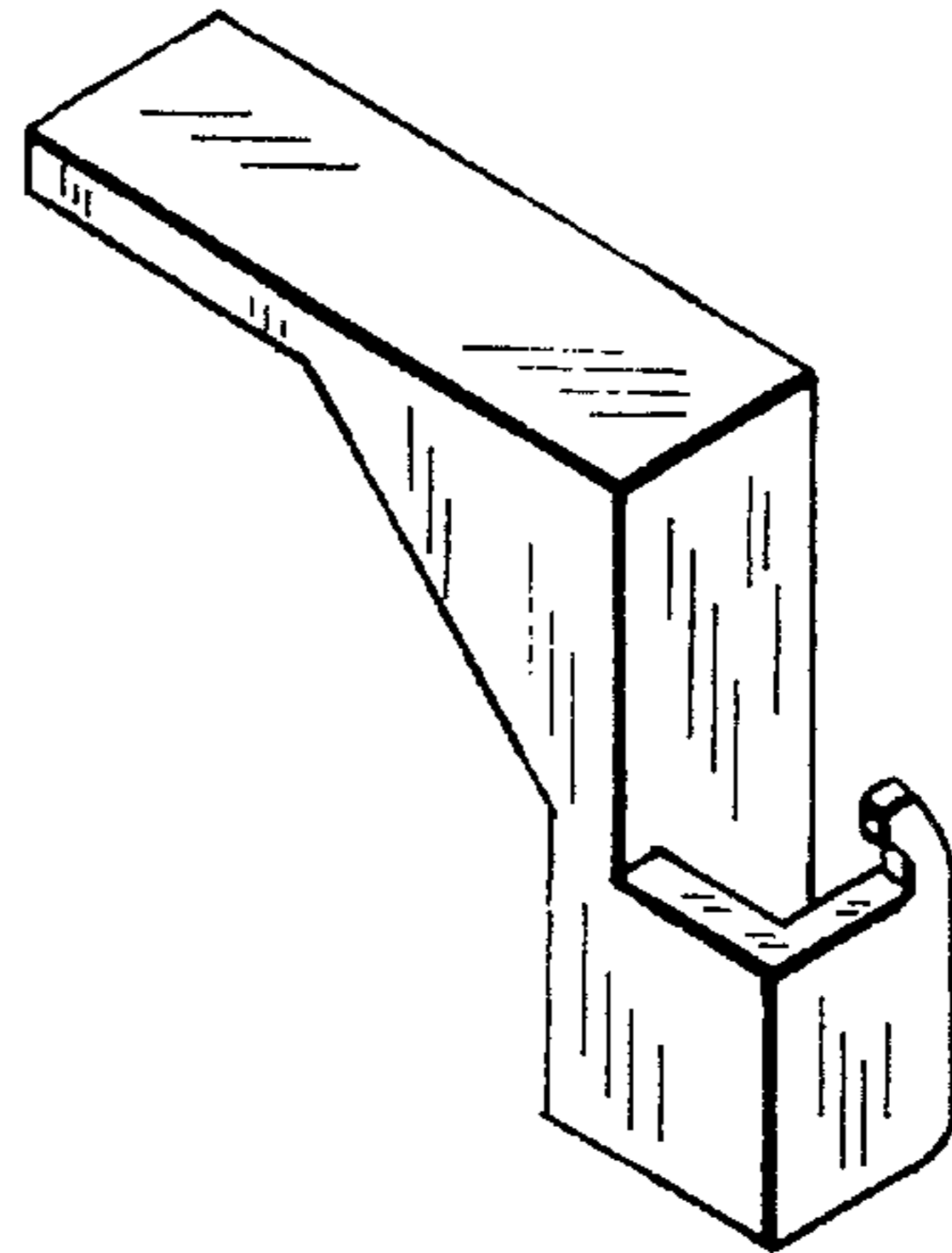


FIG. 3

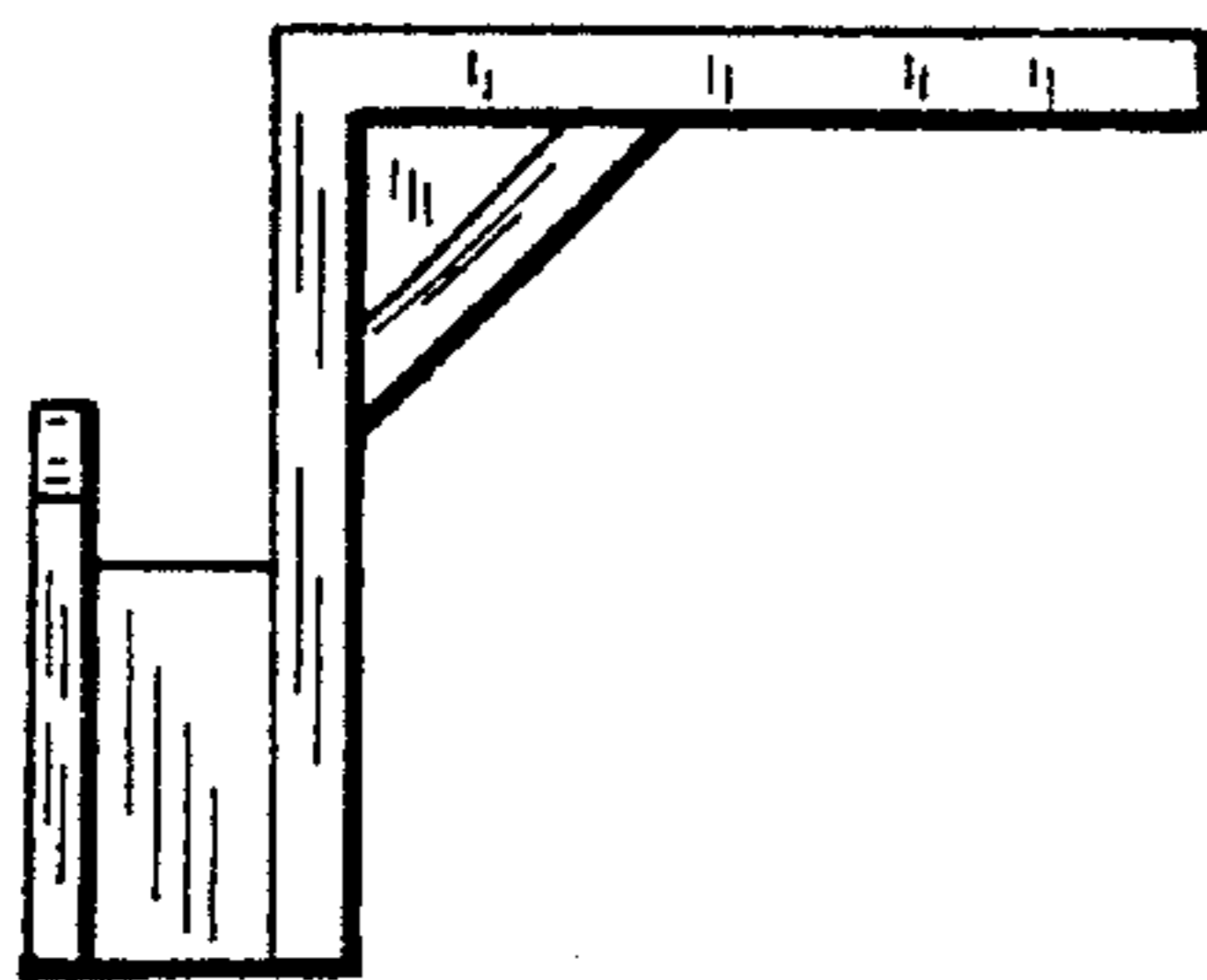


FIG. 4

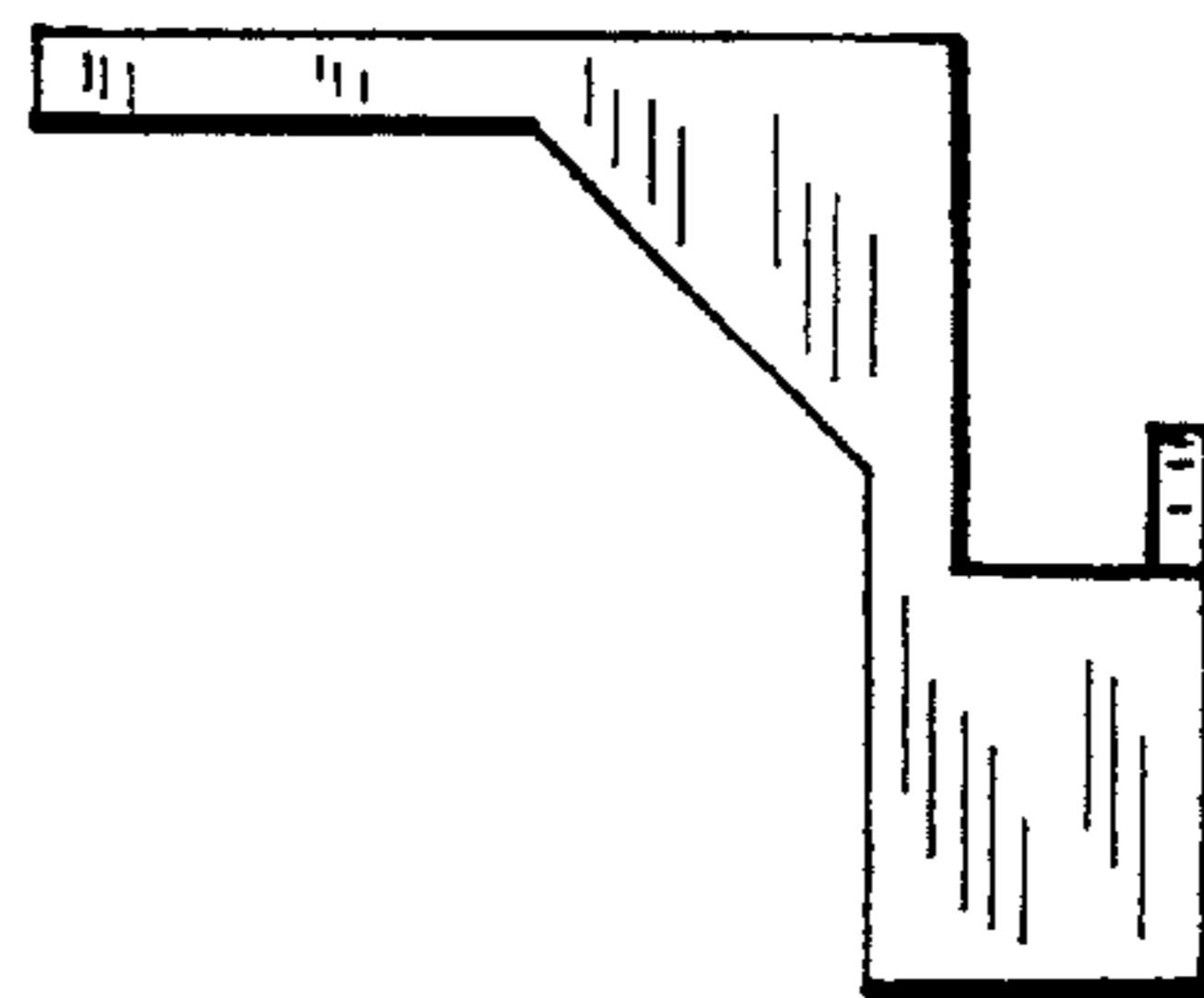


FIG. 5

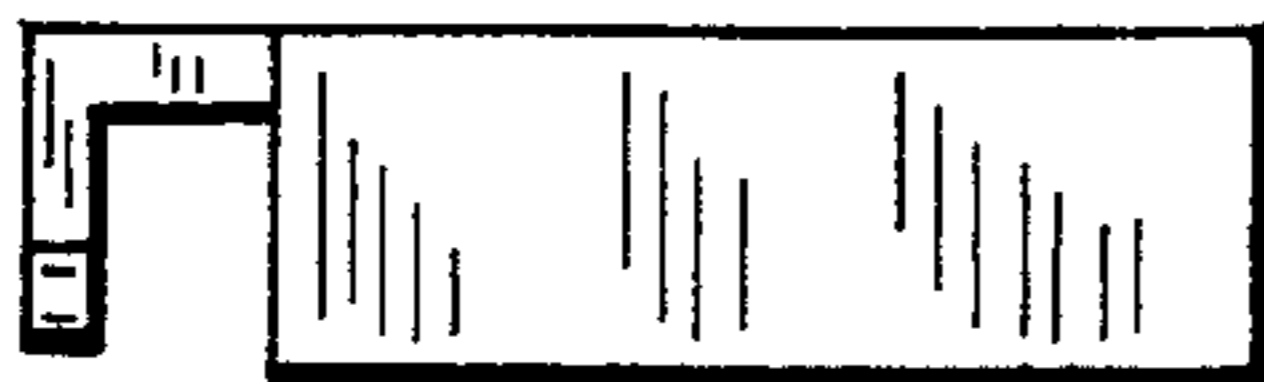


FIG. 6



FIG. 7



FIG. 8



FIG. 9

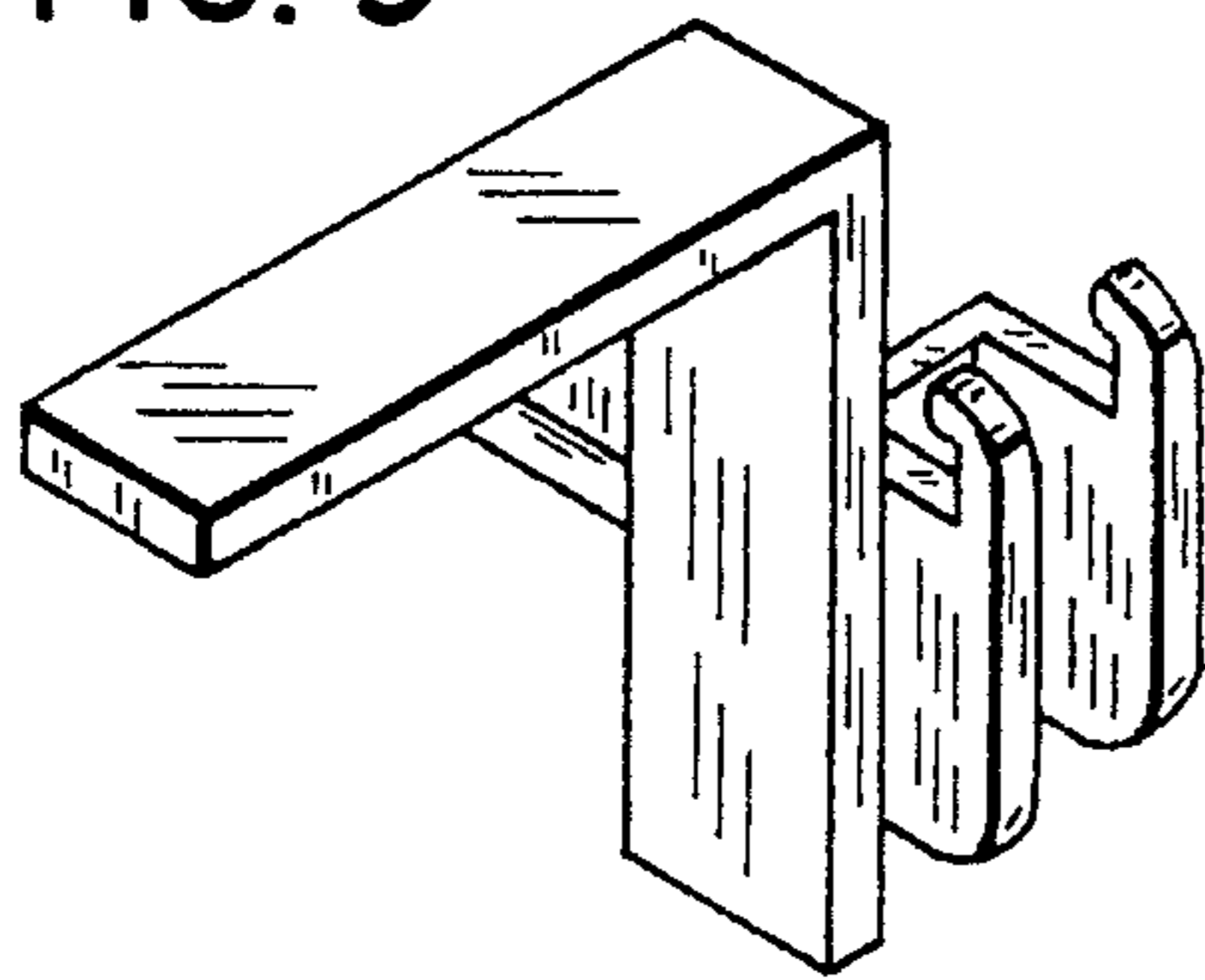


FIG. 10

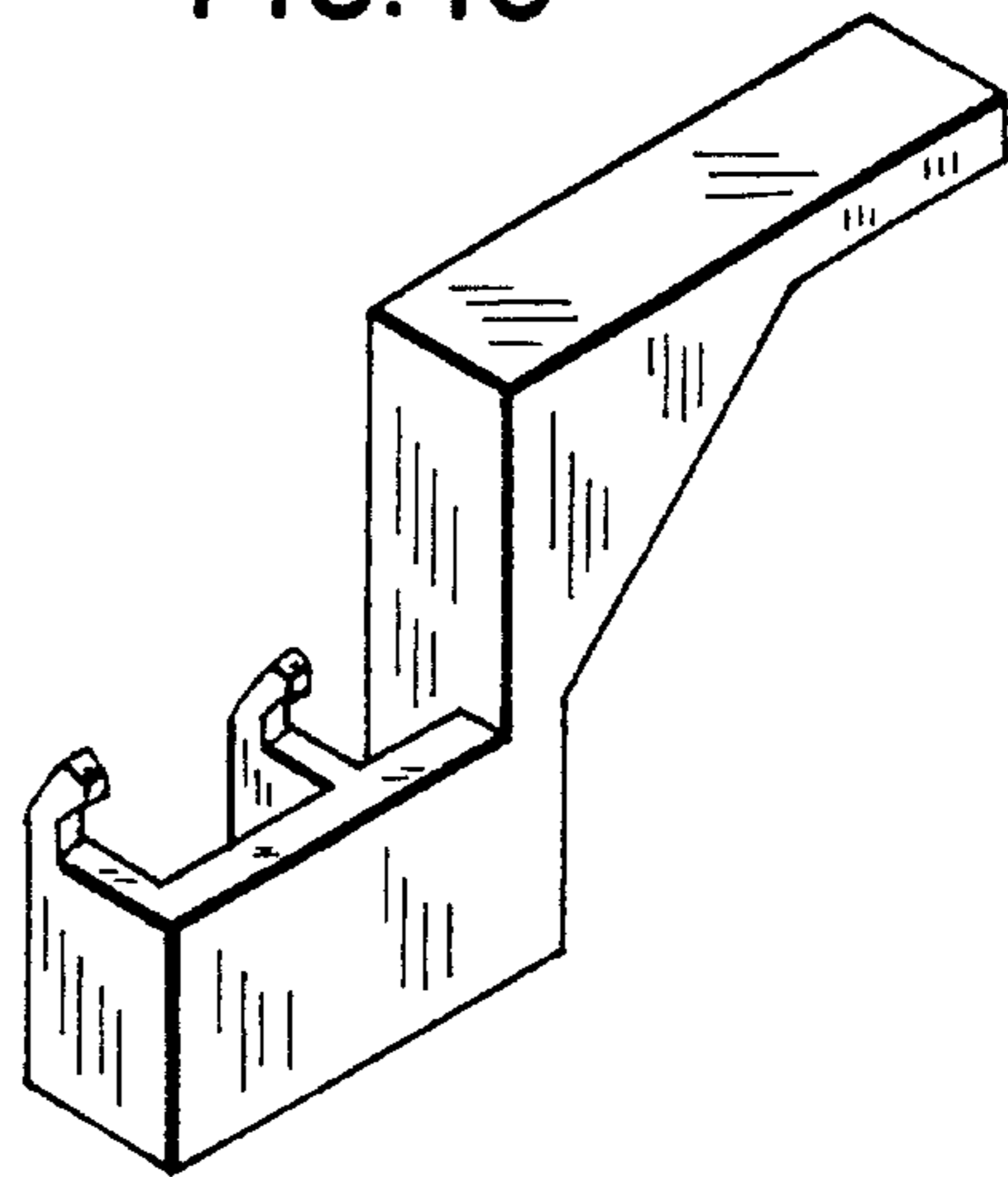


FIG. 11

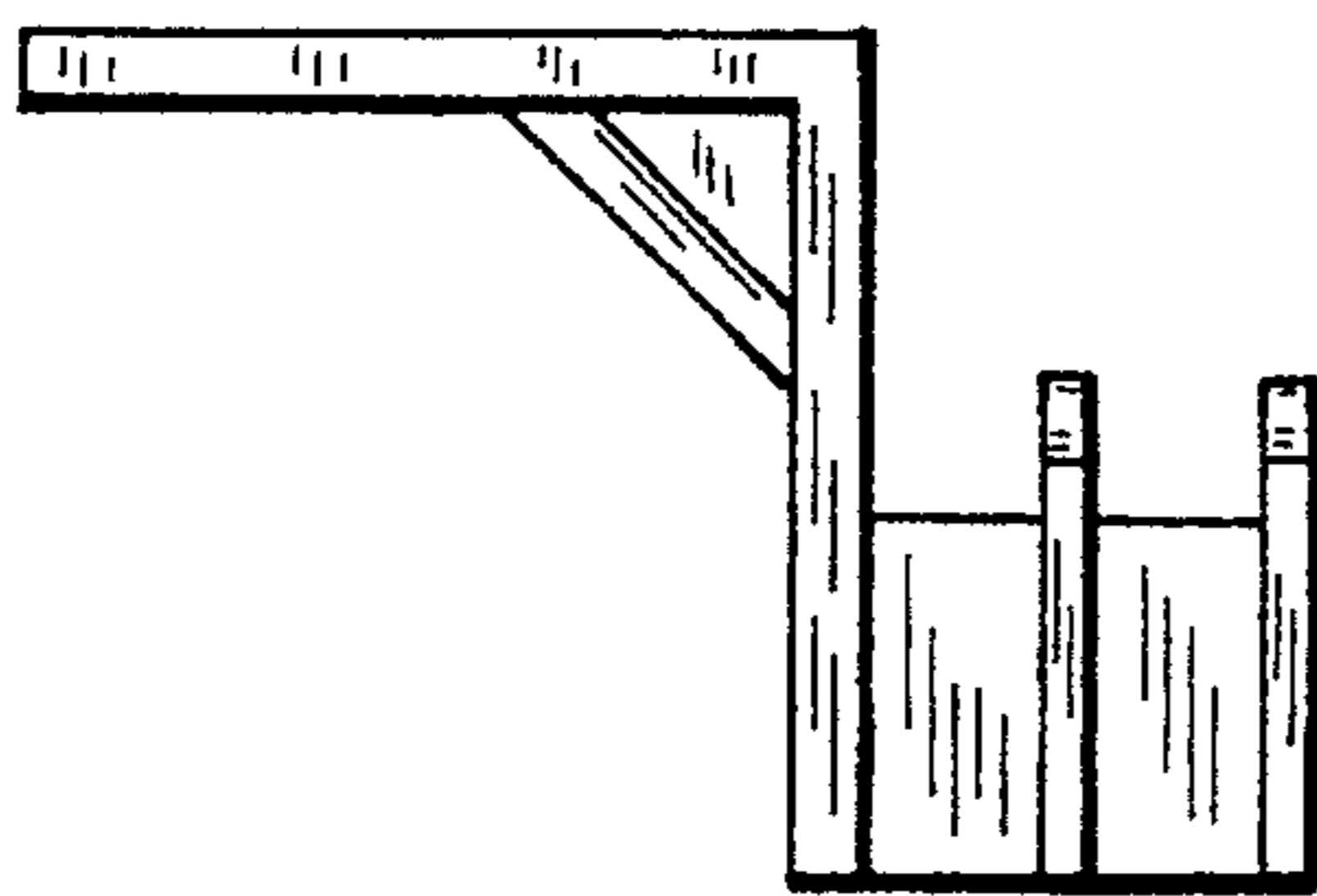


FIG. 12

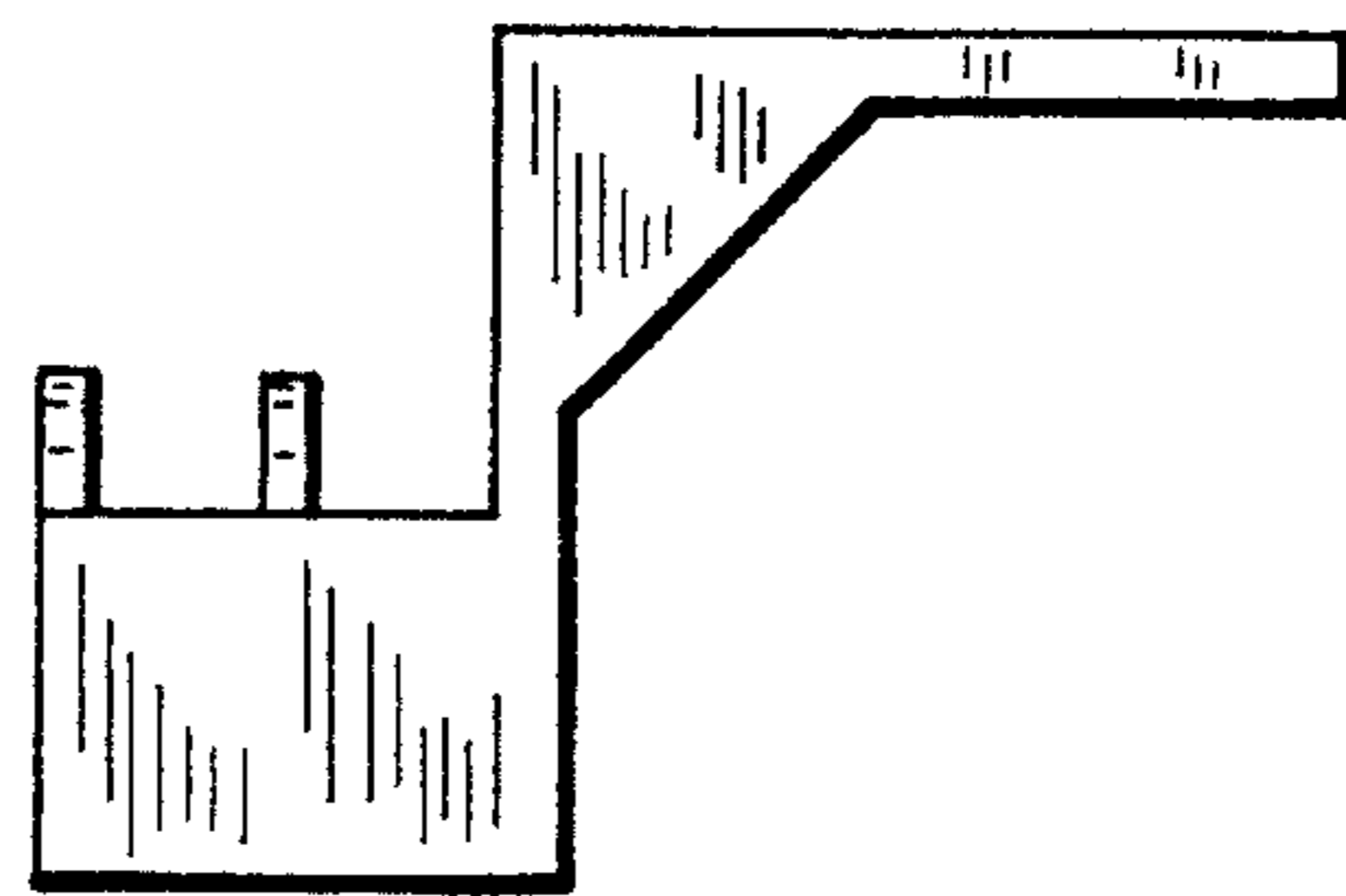


FIG. 13

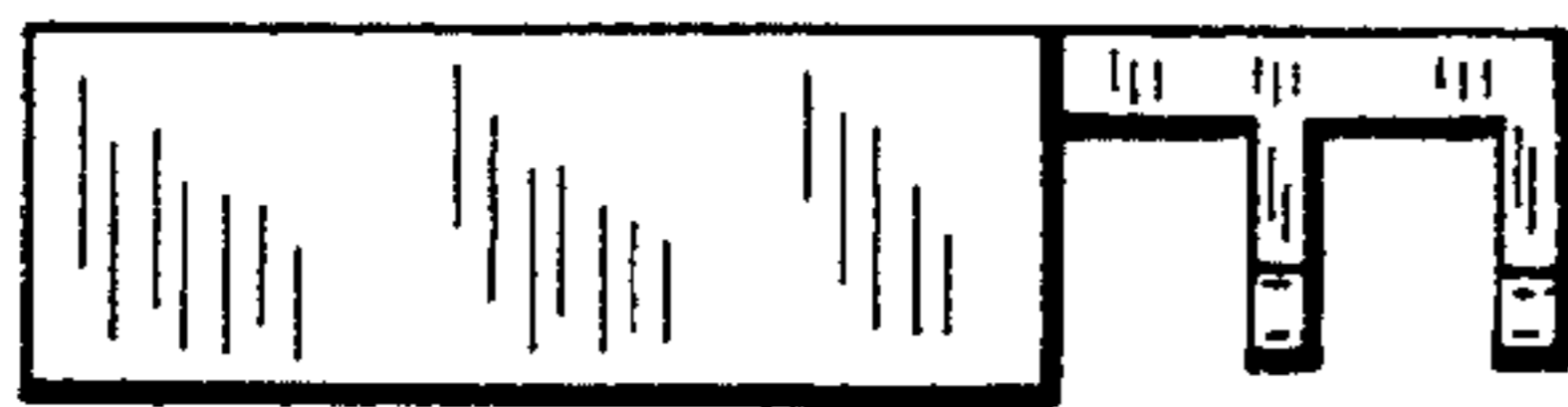


FIG. 14

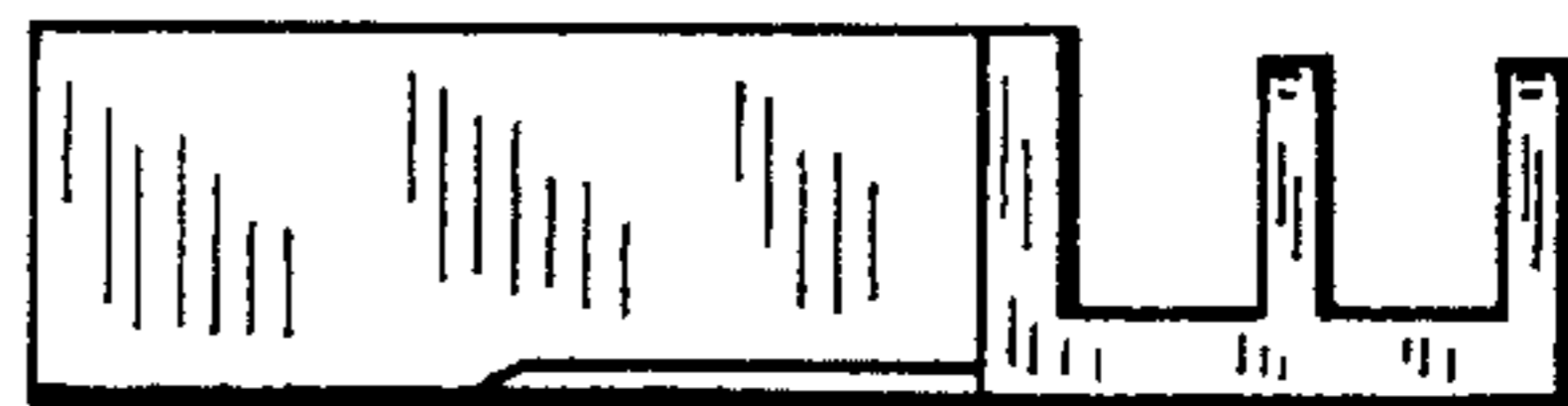


FIG. 15



FIG. 16

