



US00D376749S

United States Patent [19]

[11] Patent Number: **Des. 376,749**

Hertzog

[45] Date of Patent: ****Dec. 24, 1996**

[54] **BRACKET**

[76] Inventor: **Allen C. Hertzog**, 306 Rte. 9 Apt. 40,
Cape May, N.J. 08204

[**] Term: **14 Years**

[21] Appl. No.: **34,883**

[22] Filed: **Feb. 15, 1995**

[52] U.S. Cl. **D8/349**

[58] Field of Search D8/349, 354, 373;
248/214, 215, 301, 304, 339; 24/363

4,584,813	4/1986	Hudson	248/214
4,858,871	8/1989	Romano .	
4,961,296	10/1990	Morehouse .	
5,312,077	5/1994	Gutierrez	248/214

FOREIGN PATENT DOCUMENTS

920059 3/1947 France .

Primary Examiner—Holly Baynham
Attorney, Agent, or Firm—Richard C. Litman

[57] CLAIM

The ornamental design for a bracket, as shown and described.

DESCRIPTION

FIG. 1 is an environmental perspective view of a bracket showing my new design;
 FIG. 2 is a top view thereof;
 FIG. 3 is a front elevational view thereof;
 FIG. 4 is a right side elevational view with the left side being a mirror image thereof;
 FIG. 5 is a rear elevational view thereof; and,
 FIG. 6 is a bottom view thereof.

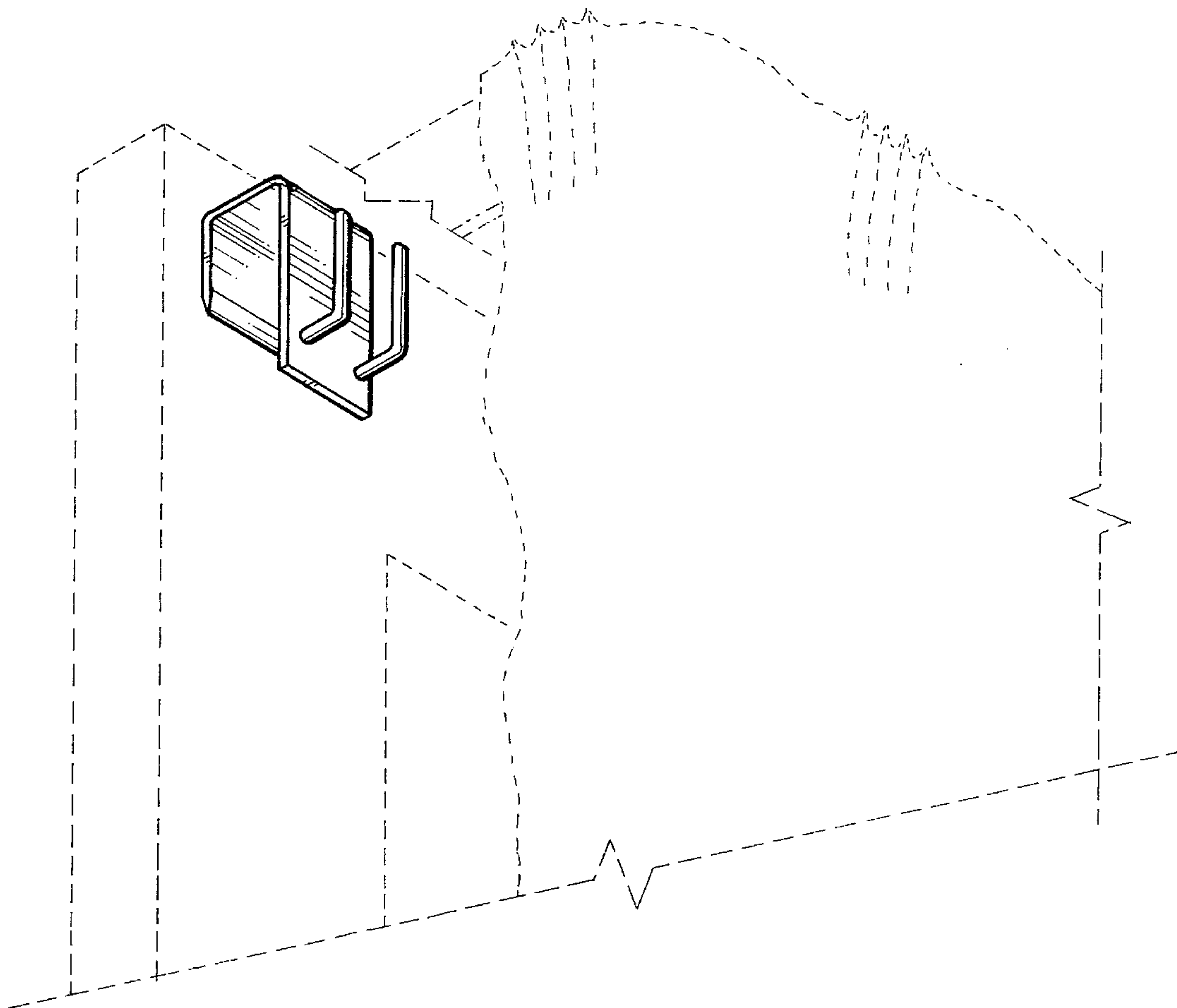
The broken line showing of a frame and curtain is for illustrative purposes only and forms no part of the claimed design.

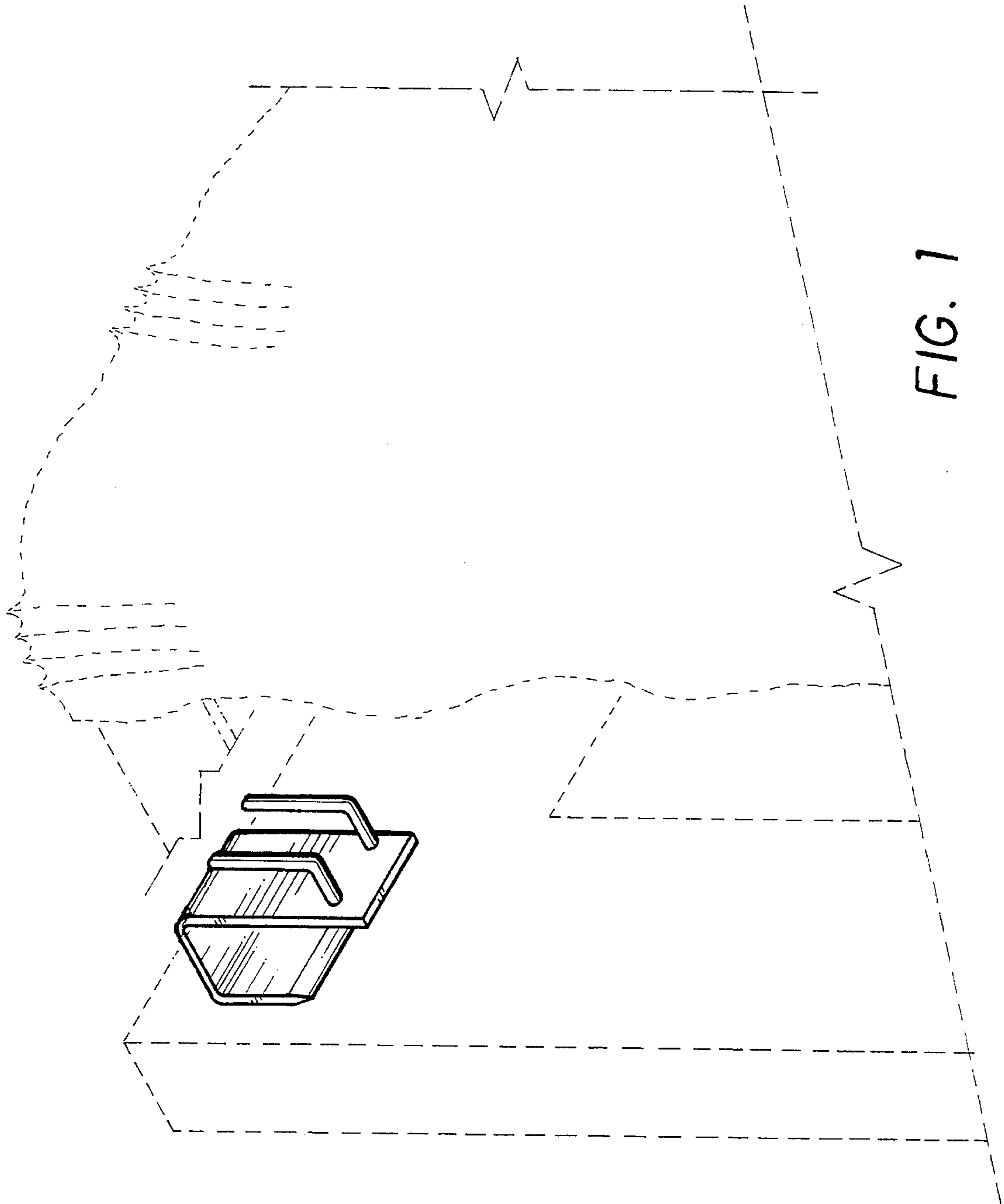
1 Claim, 2 Drawing Sheets

[56] References Cited

U.S. PATENT DOCUMENTS

D. 142,538	10/1945	White .	
D. 142,540	10/1945	White .	
D. 279,450	7/1985	Chap .	
D. 285,410	9/1986	Webber .	
367,202	7/1887	Fanning .	
1,119,695	12/1914	Hatch .	
1,441,913	1/1923	Darling	248/215 X
1,720,308	7/1929	Vogt .	
1,763,764	6/1930	Dignan .	
1,955,223	4/1934	Brouyette	248/214 X
2,679,373	5/1954	Henley .	
3,104,086	9/1963	Salzmann .	
4,449,686	5/1984	Kersey	248/215





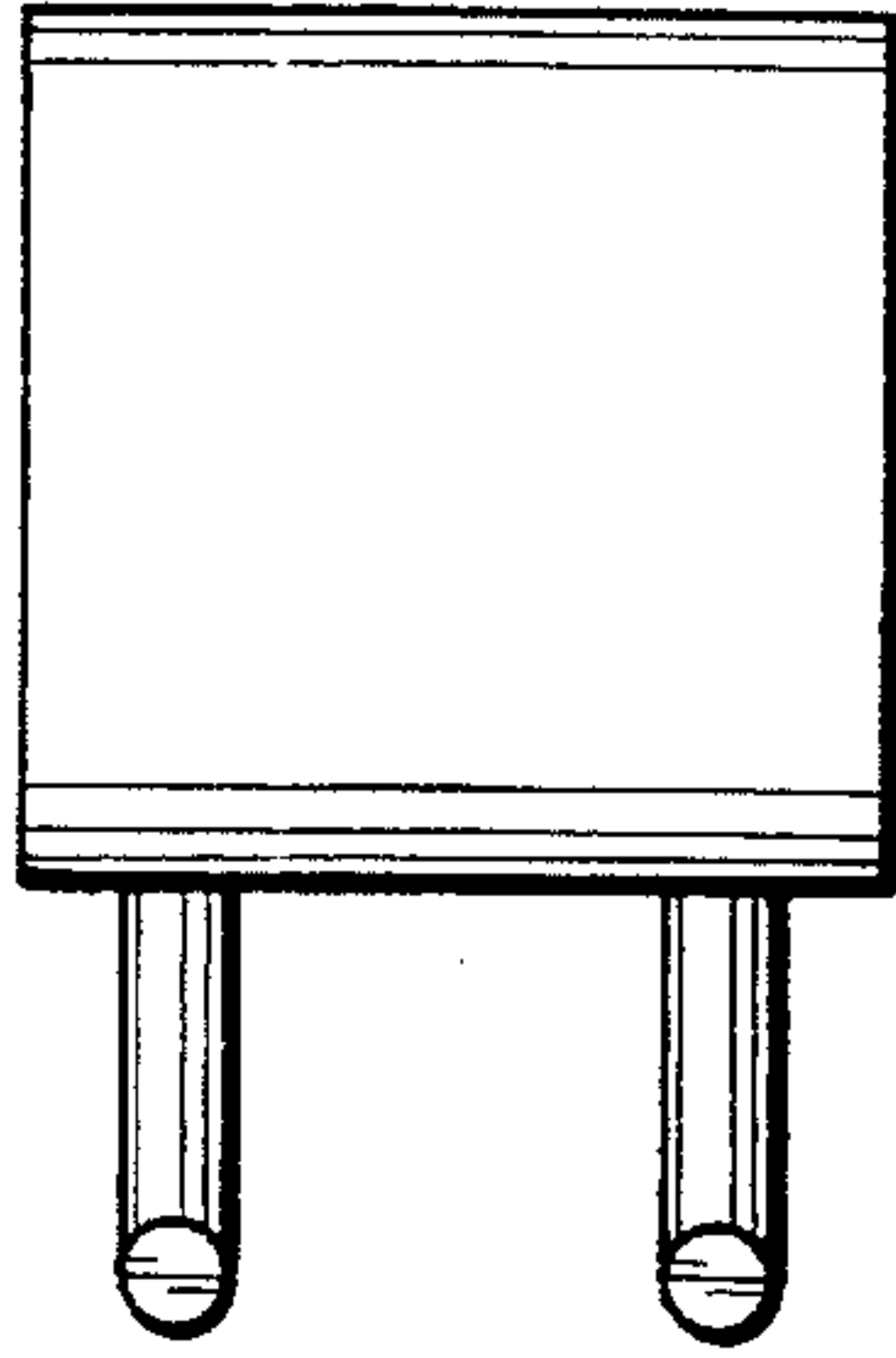


FIG. 2

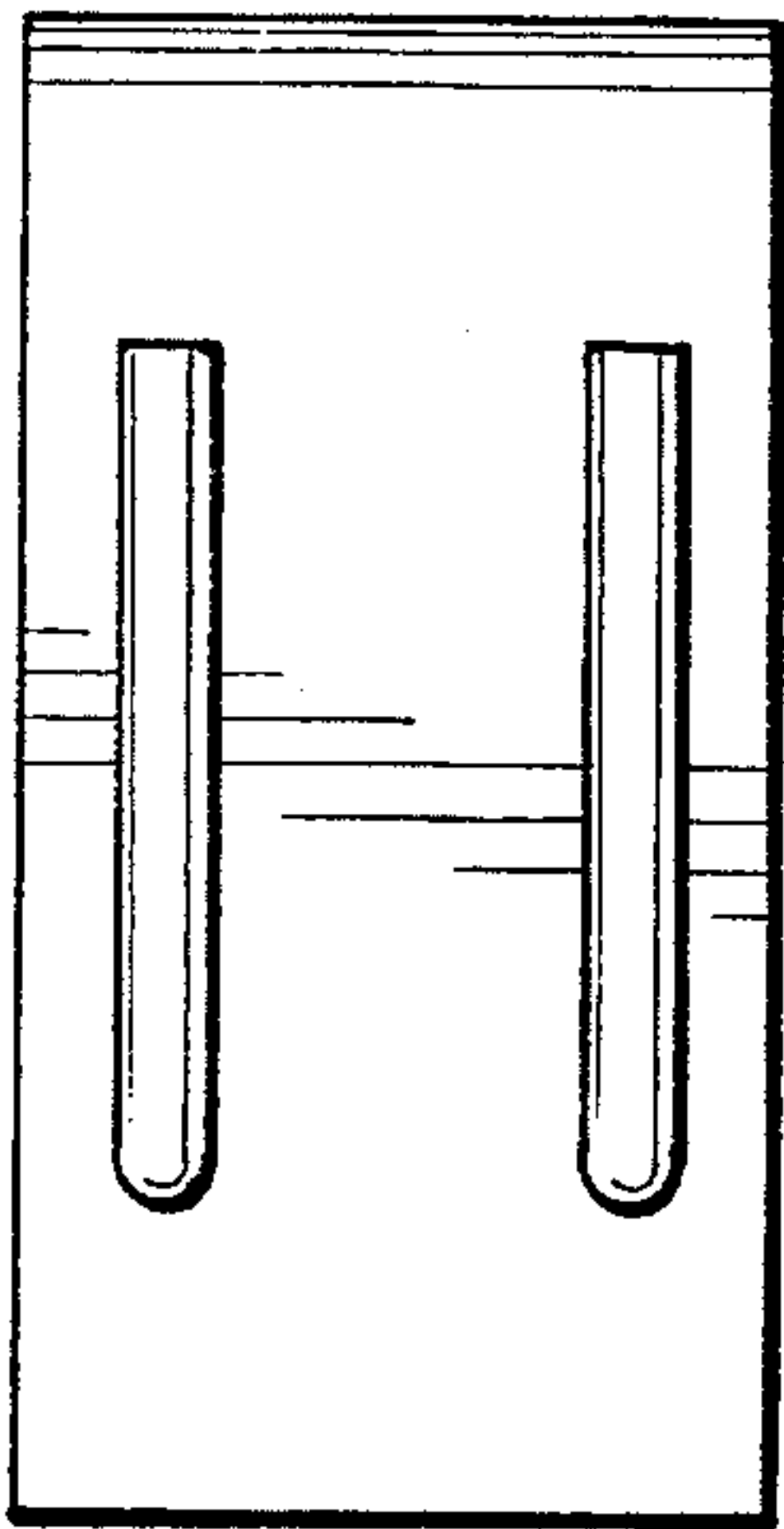


FIG. 3

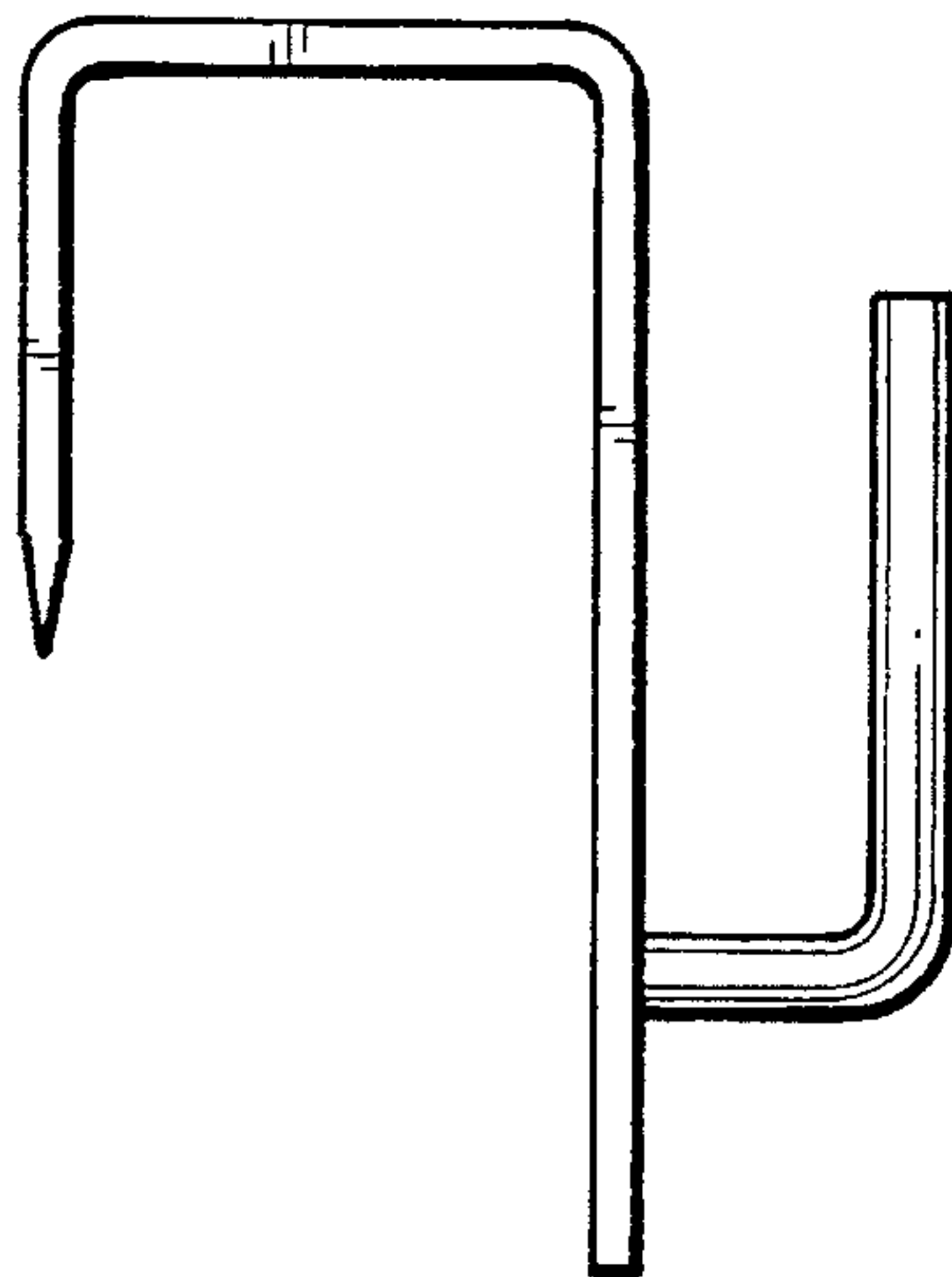


FIG. 4

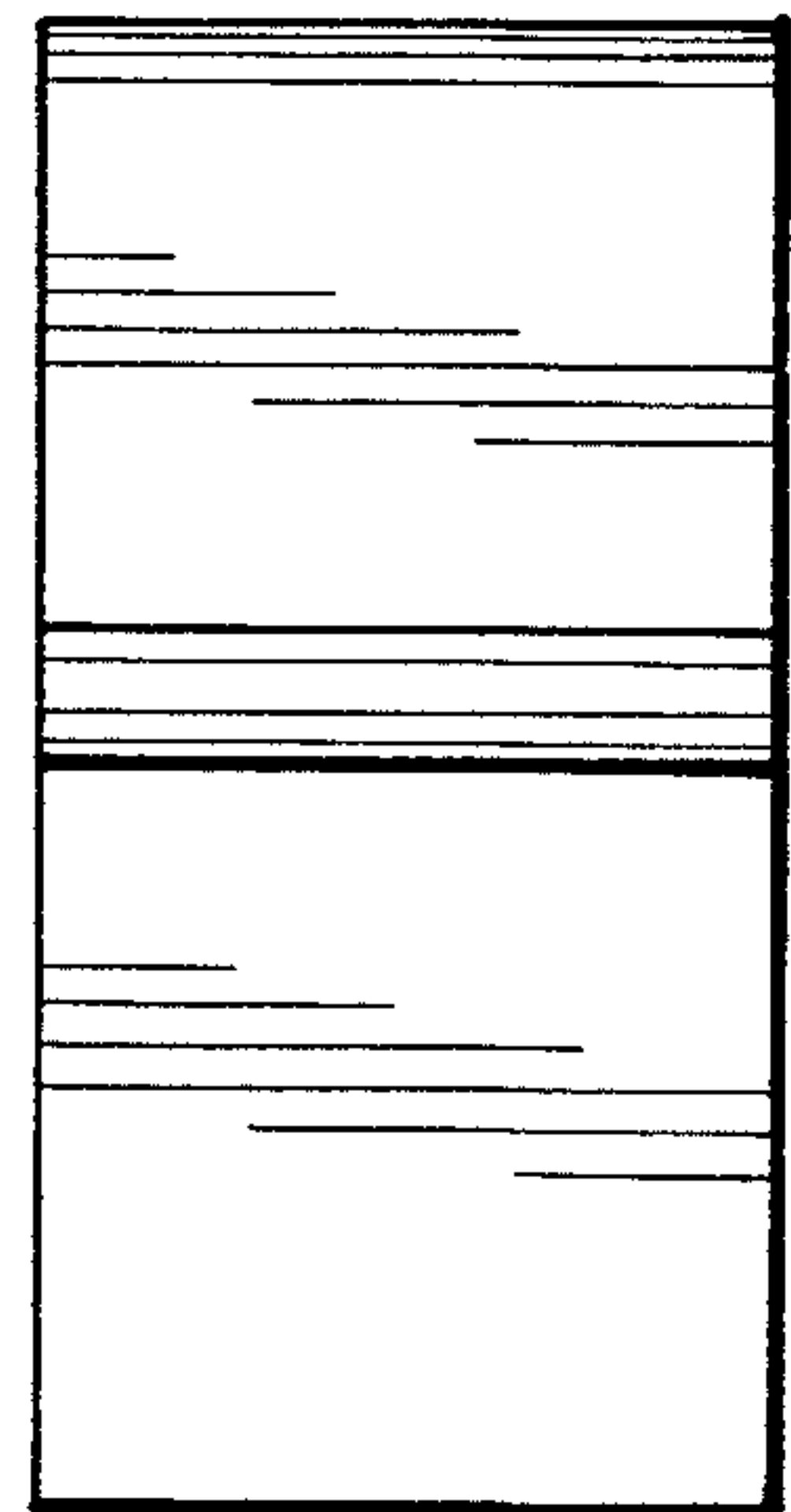


FIG. 5

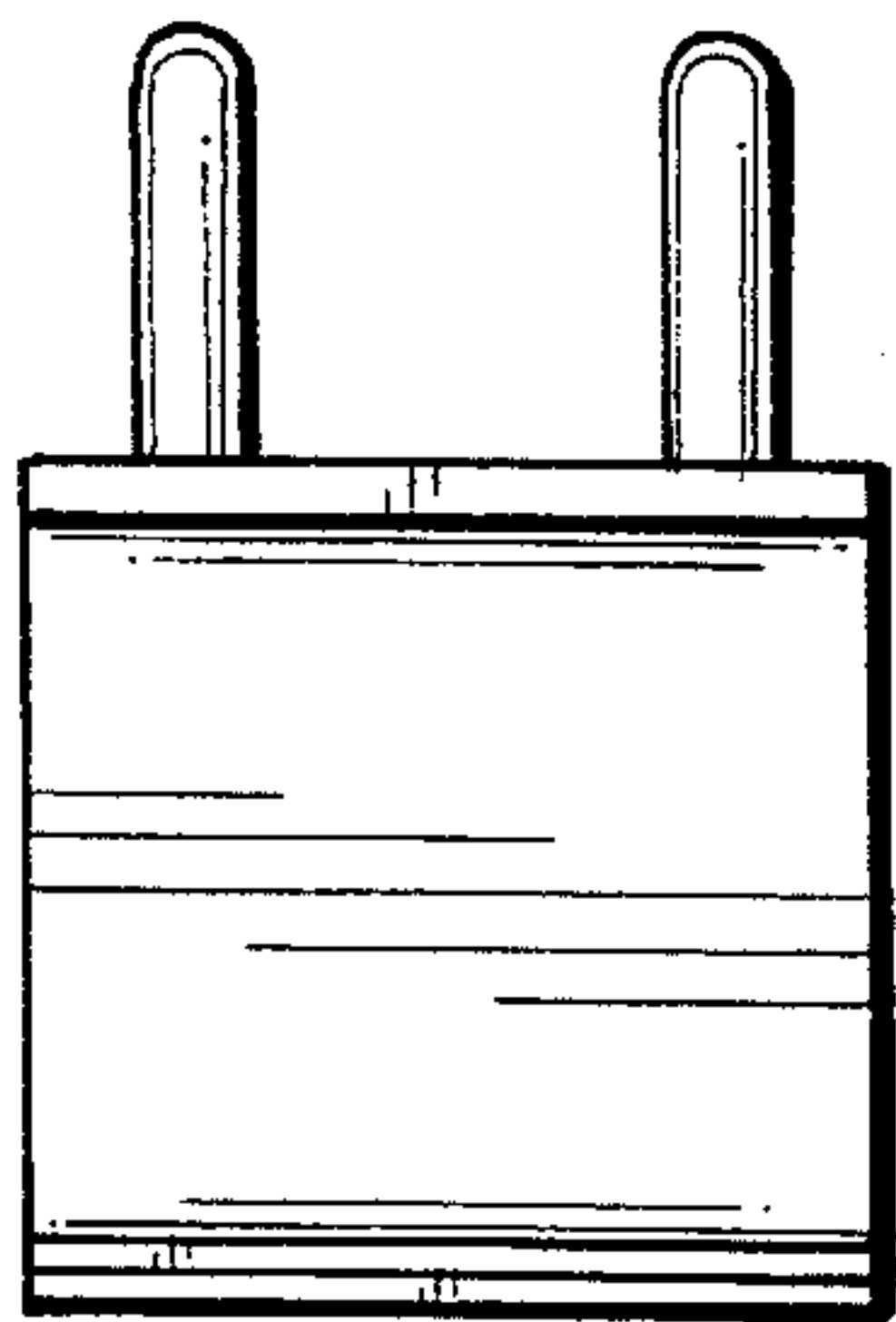


FIG. 6