



US00D376748S

United States Patent [19]

Small et al.

[11] Patent Number: Des. 376,748

[45] Date of Patent: **Dec. 24, 1996

[54] **PADLOCK SHACKLE GUARD**

5,426,959 6/1995 Kies 70/56

[76] Inventors: **Michael H. Small**, 4966 Red Bluff Rd.,
Riverside, Calif. 92503; **Kevin E. Small**, 270 Main St., Cedarville, Calif.
96104

Primary Examiner—Brian N. Vinson

[**] Term: **14 Years**

[57] CLAIM

The ornamental design for a padlock shackle guard, as shown and described.

[21] Appl. No.: **40,864**

DESCRIPTION

[22] Filed: **Jun. 29, 1995**

[52] U.S. Cl. **D8/346**

[58] Field of Search D8/343, 346; 70/54-56,
70/158, 163-164, DIG. 43, DIG. 56

FIG. 1 is a front elevational view of a padlock shackle guard showing our new design;

FIG. 2 is a rear elevational view thereof;

FIG. 3 is a top plan view thereof;

FIG. 4 is a bottom plan view thereof;

FIG. 5 is a left side elevational view thereof, the right side being a mirror image of that shown;

FIG. 6 is a top, rear, and right side perspective view thereof; and,

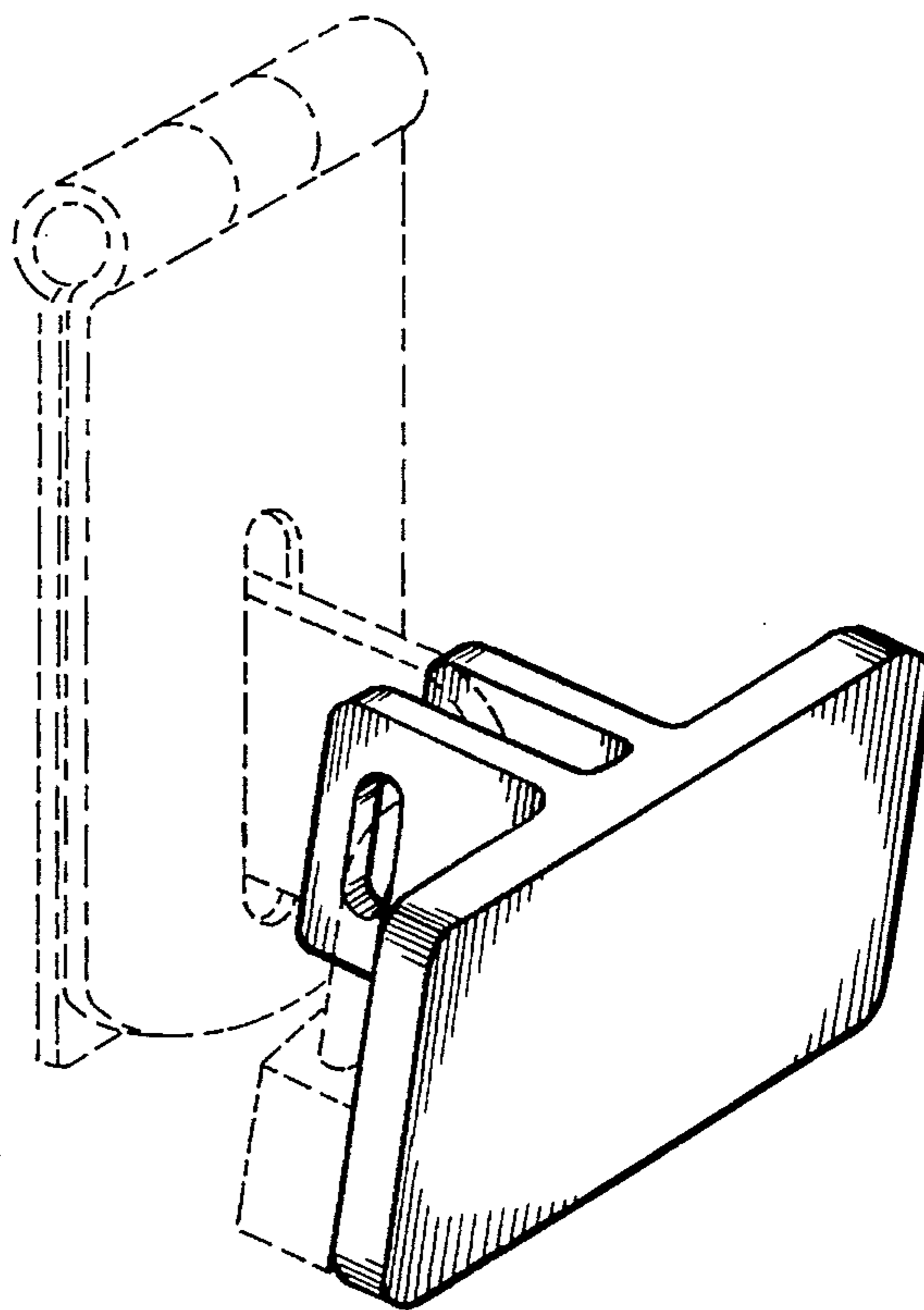
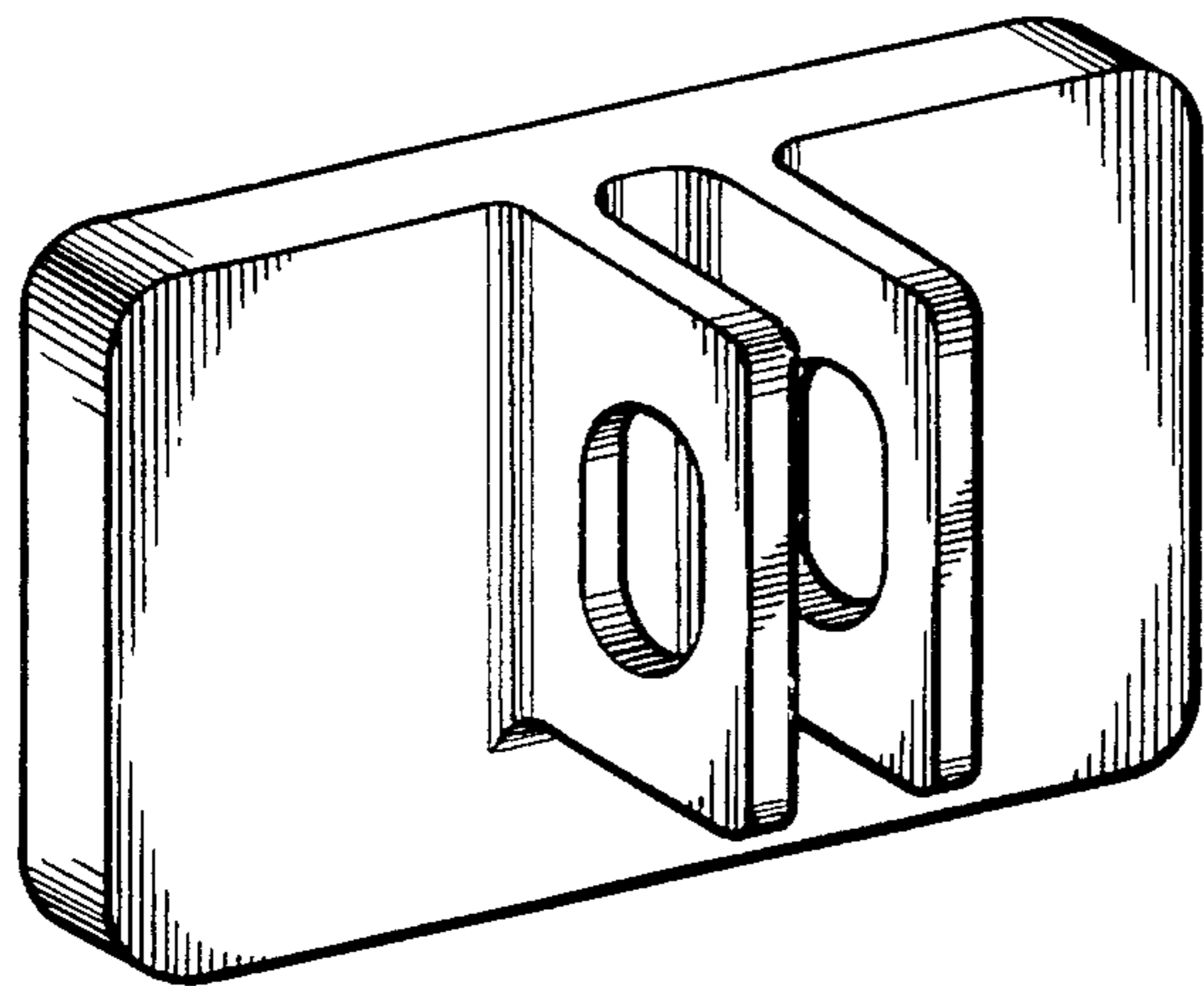
FIG. 7 is a reduced top, front, and left side perspective view thereof, the broken-line disclosure of lock equipment being for illustrative purposes only and forming no part of the claimed design.

[56] References Cited

U.S. PATENT DOCUMENTS

D. 317,557	6/1991	Poe	D8/346 X
2,930,219	3/1960	Fansmith	70/54 X
3,744,280	7/1973	Brown, Jr. et al.	70/54
3,759,557	9/1973	Athas	70/54 X
4,238,941	12/1980	Halopoff	70/56 X
4,972,689	11/1990	Anderson	70/56

1 Claim, 4 Drawing Sheets



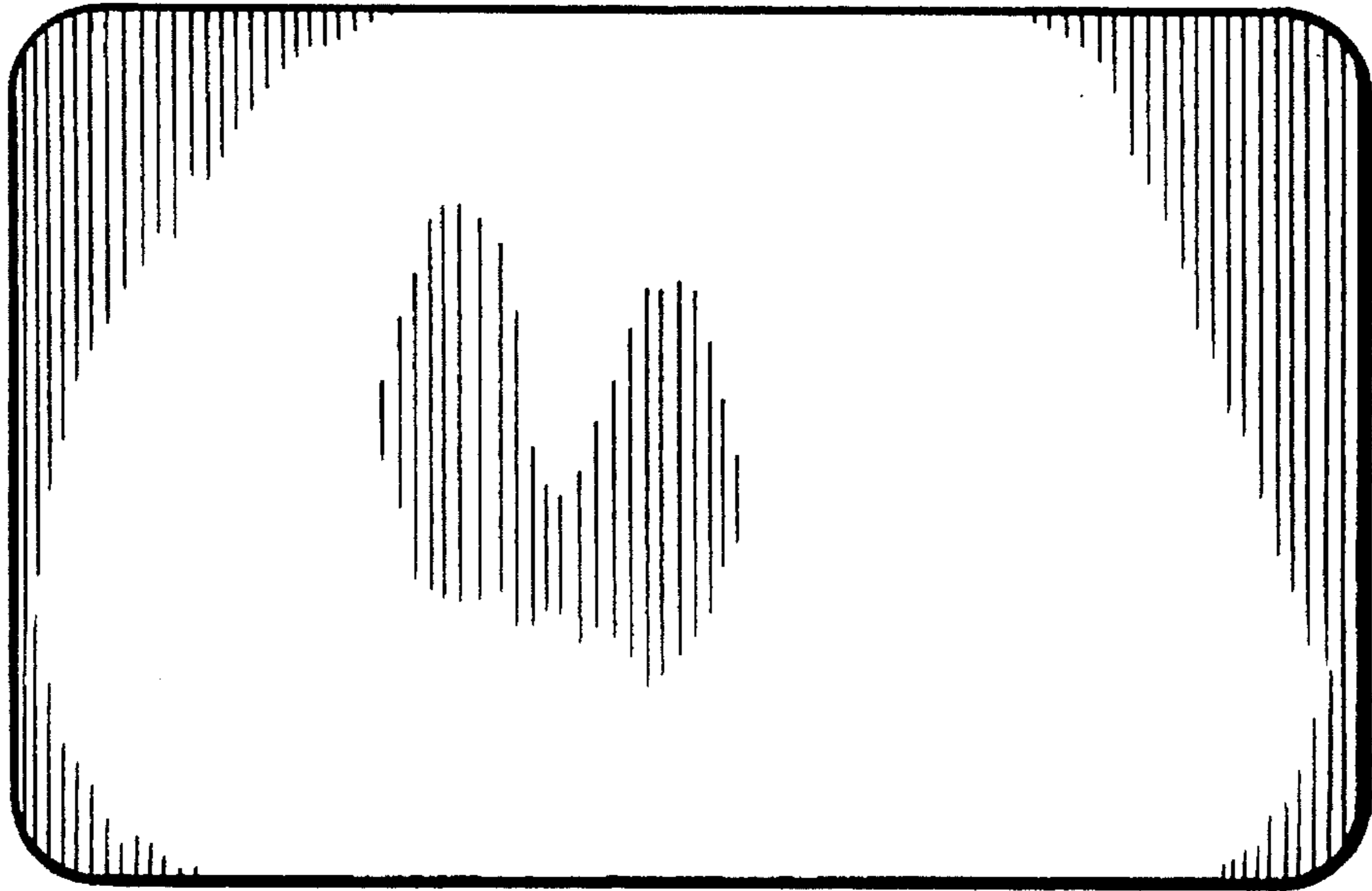


FIG. 1

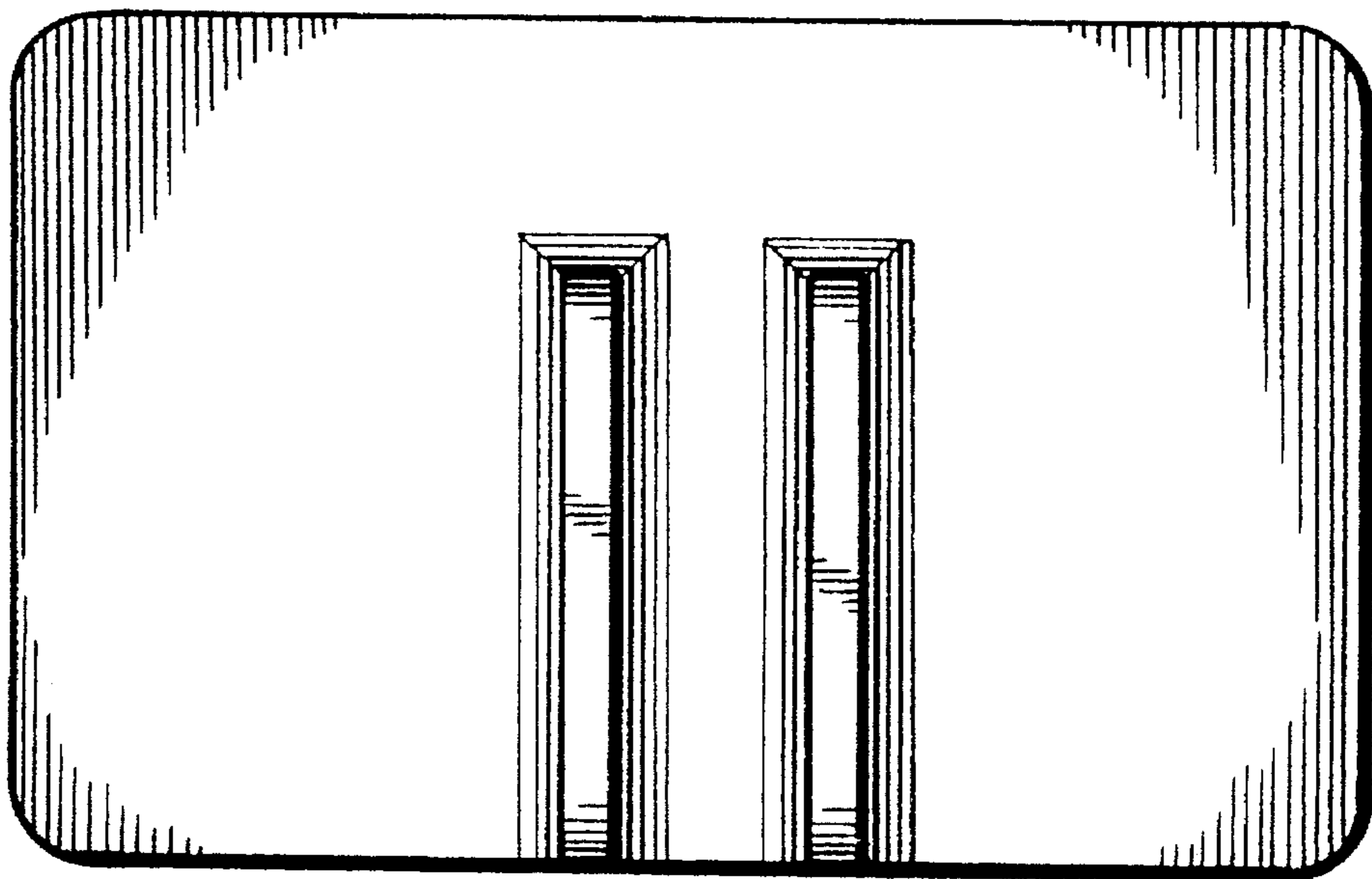


FIG. 2

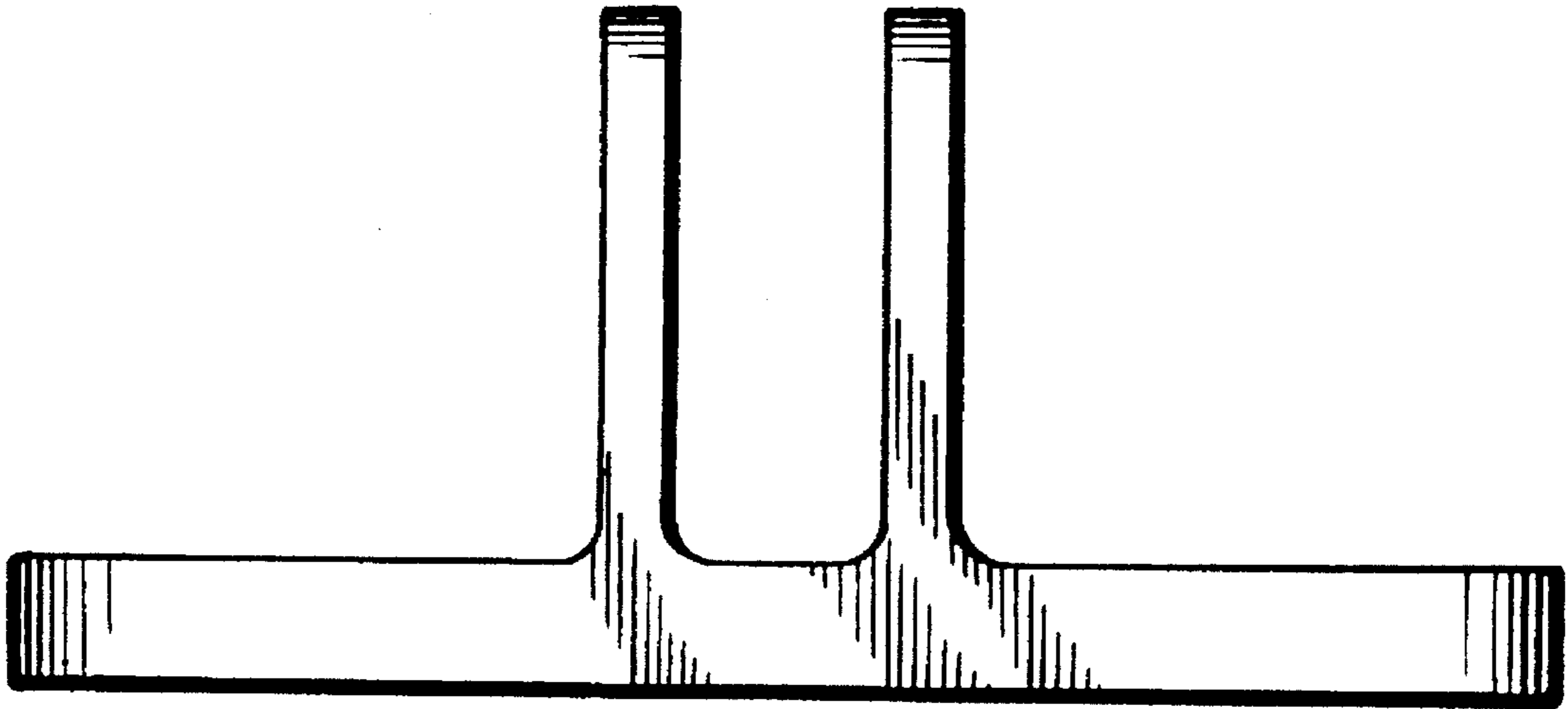


FIG. 3

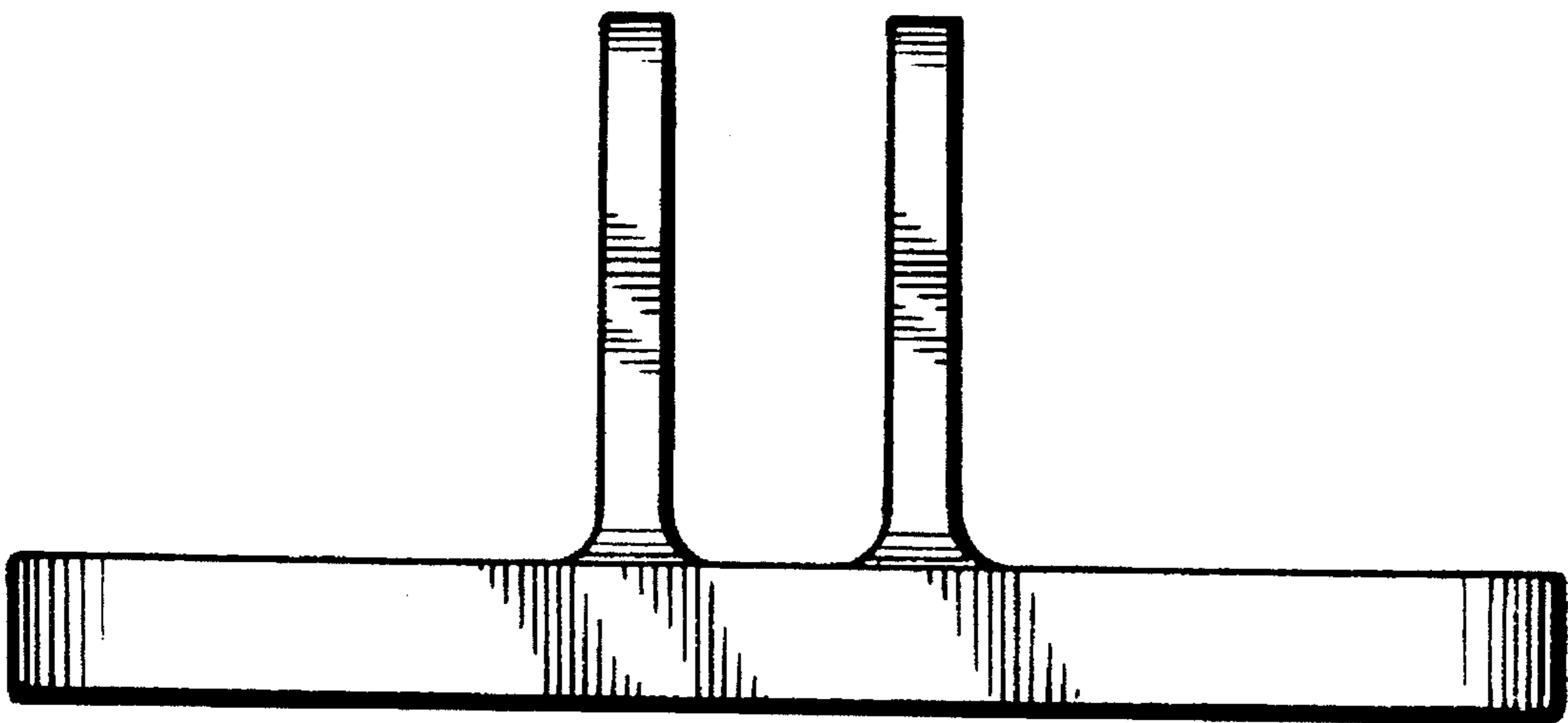


FIG. 4

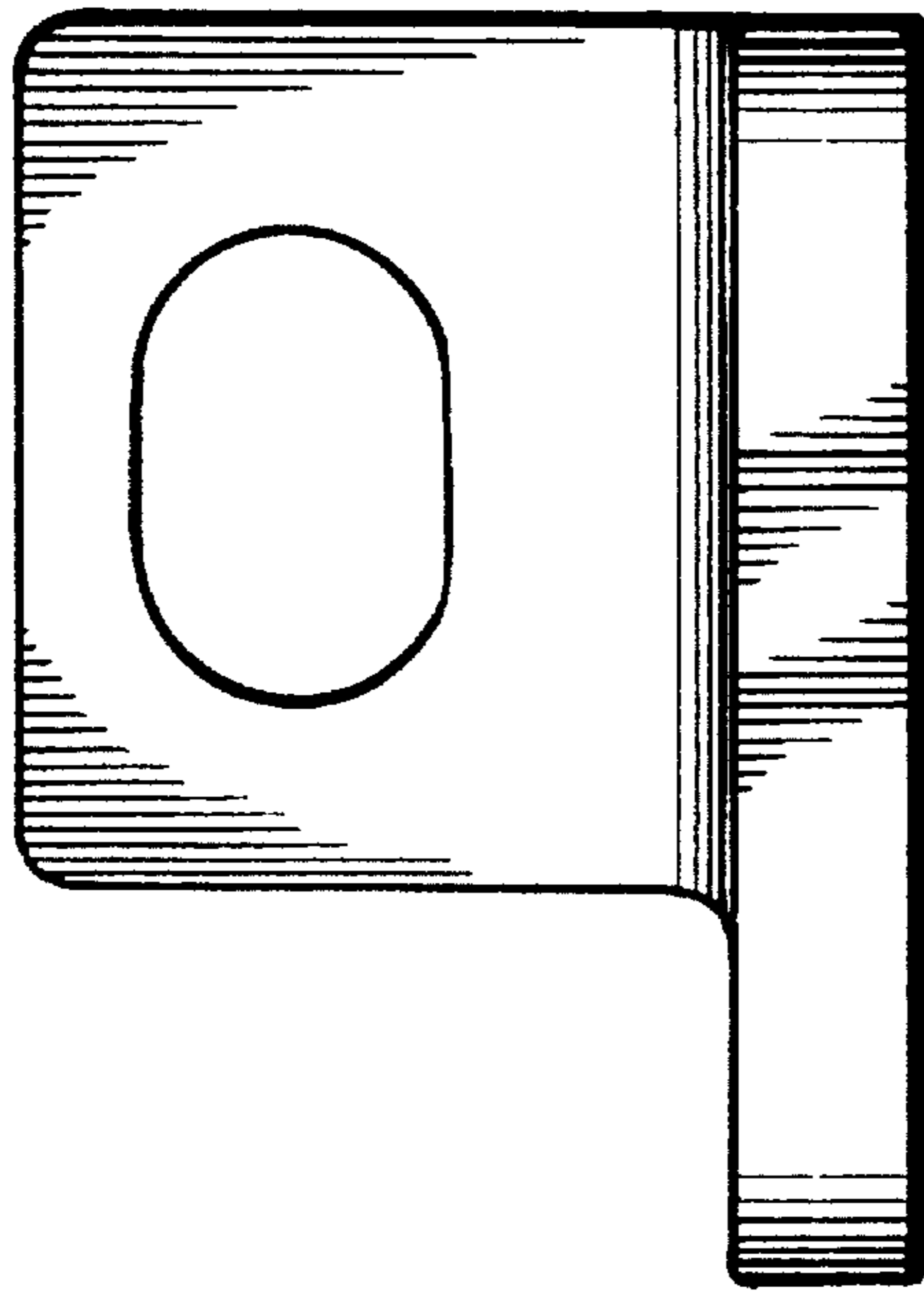


FIG. 5

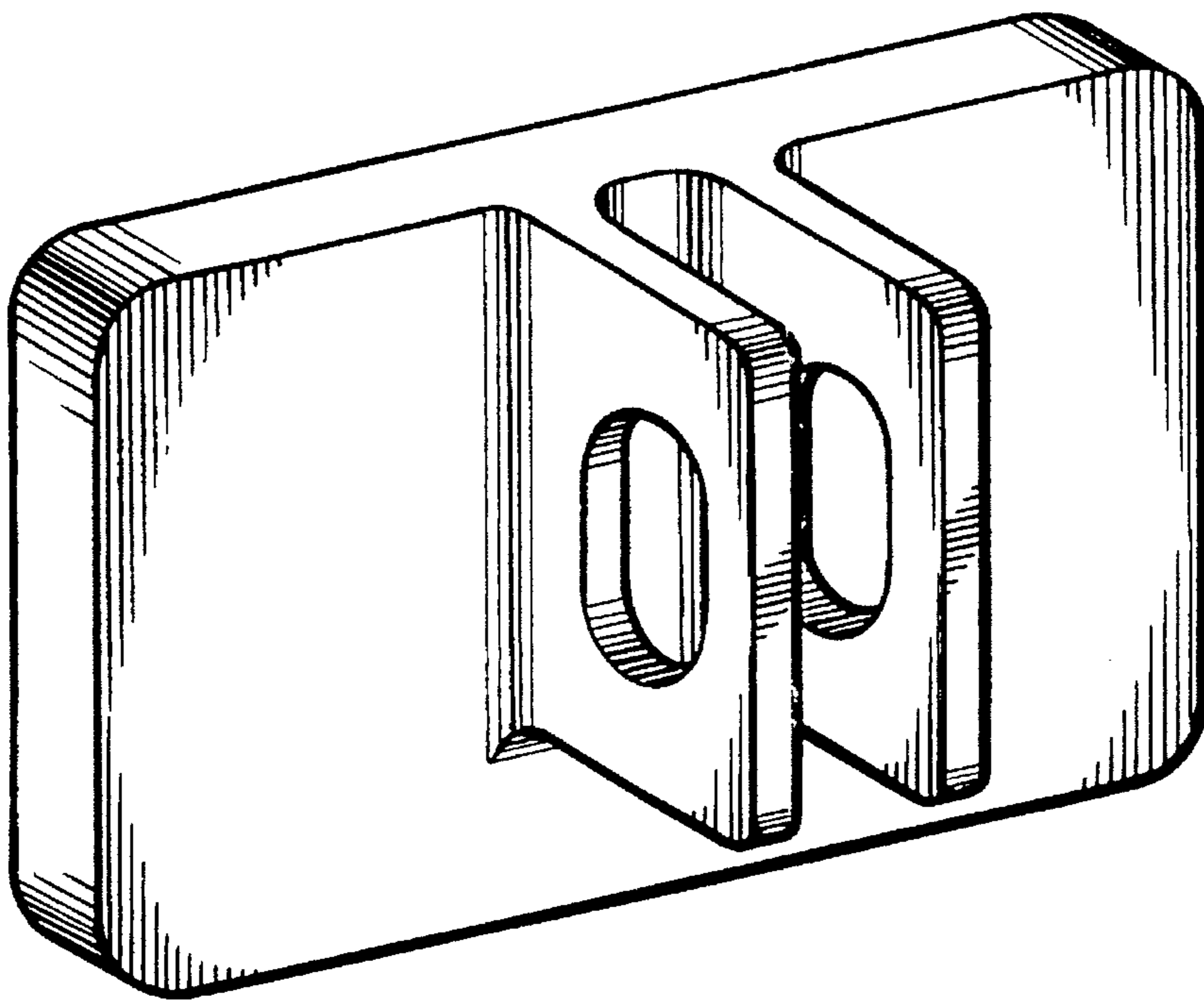


FIG. 6

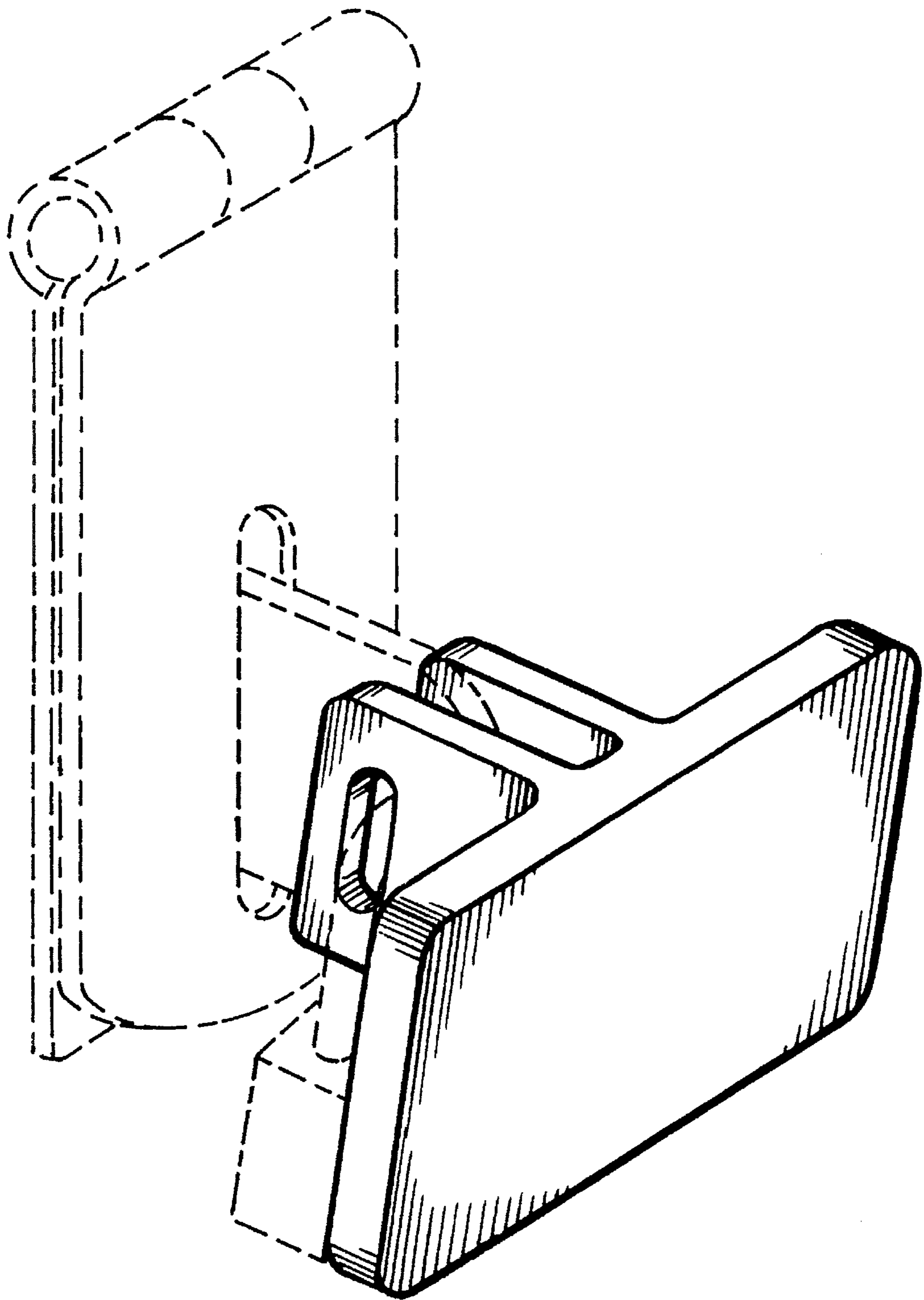


FIG. 7