



US00D376747S

# United States Patent [19]

Jackson

[11] Patent Number: **Des. 376,747**

[45] Date of Patent: **\*\*Dec. 24, 1996**

[54] **DOOR SECURITY DEVICE**

5,016,930 5/1991 Hamilton ..... 292/346

[76] Inventor: **Ronald E. Jackson**, 216 W. Southport Rd., Indianapolis, Ind. 46217

*Primary Examiner*—Kay H. Chin  
*Attorney, Agent, or Firm*—Locke Reynolds

[\*\*] Term: **14 Years**

[57] **CLAIM**

[21] Appl. No.: **26,680**

The ornamental design for a door security device, as shown and described.

[22] Filed: **Aug. 3, 1994**

### DESCRIPTION

[52] U.S. Cl. .... **D8/330; D8/333**

[58] Field of Search ..... D8/333, 343, 344, D8/341, 330; 292/293, 264, 346, 340, 256

FIG. 1 is a perspective view showing the front, top and side of a door security device including a strike plate and cable ring according to my new design installed on a door with a handle, the door being in a closed position in a doorway. The door, handle and doorway are shown in phantom and form no part of my new design;

### [56] References Cited

#### U.S. PATENT DOCUMENTS

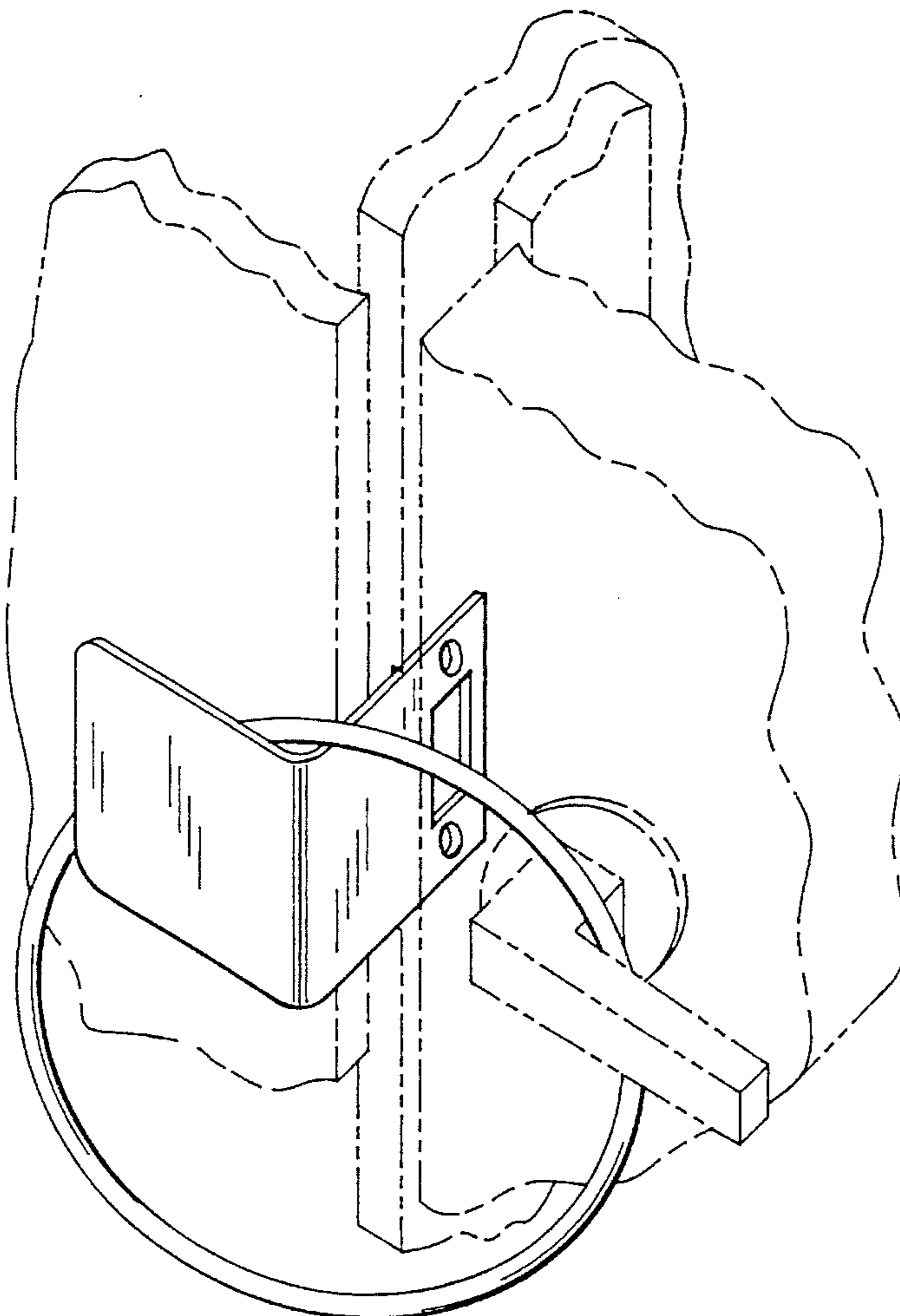
D. 351,781	10/1994	DeWitt .....	D8/344
765,658	7/1904	Beseler .	
827,624	7/1906	Foster .	
3,451,708	6/1969	Brooks .	
3,640,558	2/1972	Gewertz et al. ....	292/264
3,853,343	12/1974	Hunter .	
4,155,577	5/1979	Raymond .....	292/264
4,474,394	10/1984	Crepinsek .....	292/340
4,478,442	10/1984	Martin .	
4,575,140	3/1986	Dargis .	
4,917,422	4/1990	Rose .	

FIG. 2 is a perspective view showing the front, top and side of a strike plate as shown in FIG. 1, with a pair of screws for fastening the strike plate to a doorway shown in exploded fashion;

FIG. 3 is a perspective view showing the back, bottom and other side of the strike plate shown in FIG. 2; and,

FIG. 4 is an elevational view of a cable ring of the door security device, the strike plate has been omitted for clarity of illustration.

**1 Claim, 3 Drawing Sheets**



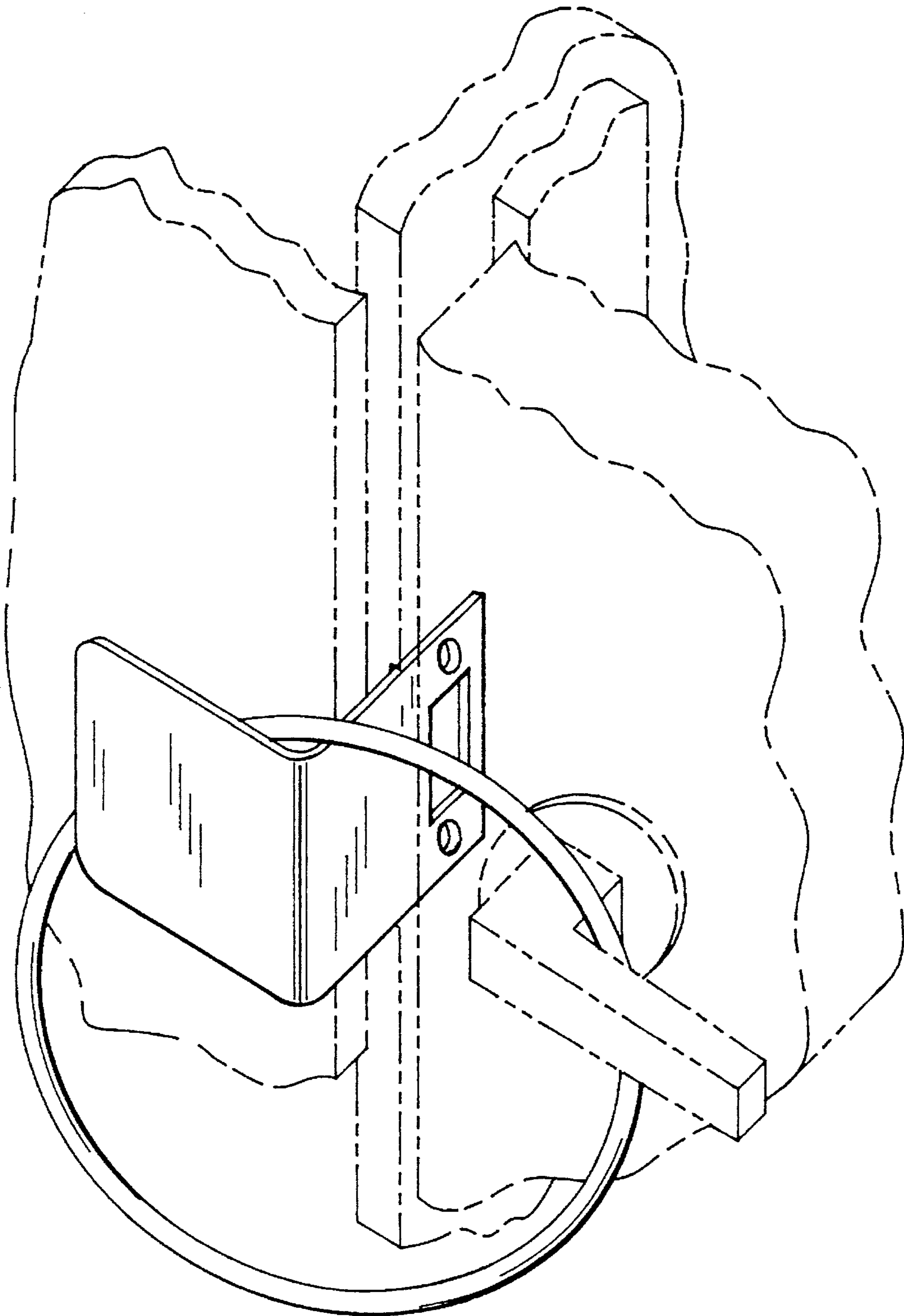


FIG. 1

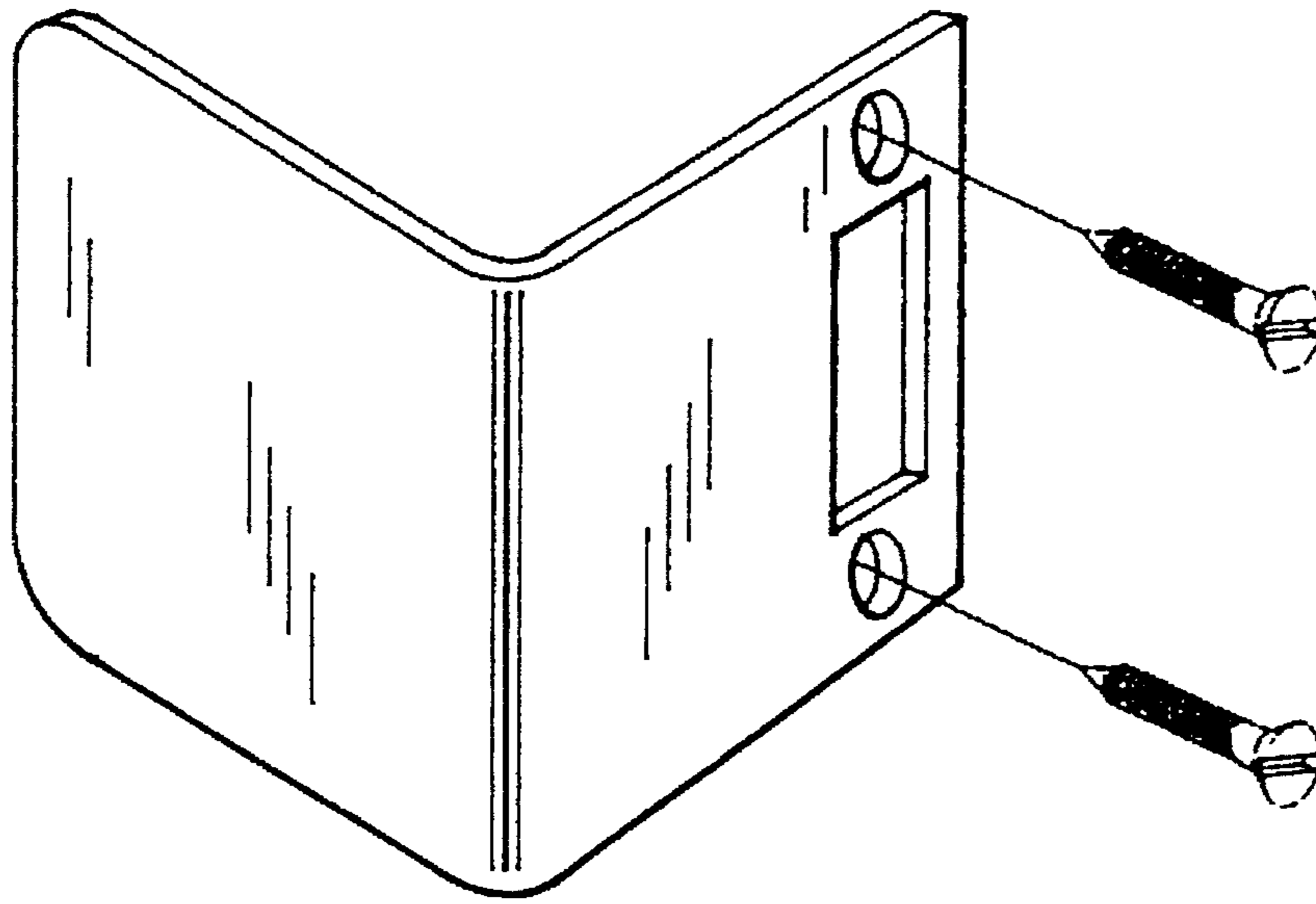


FIG. 2

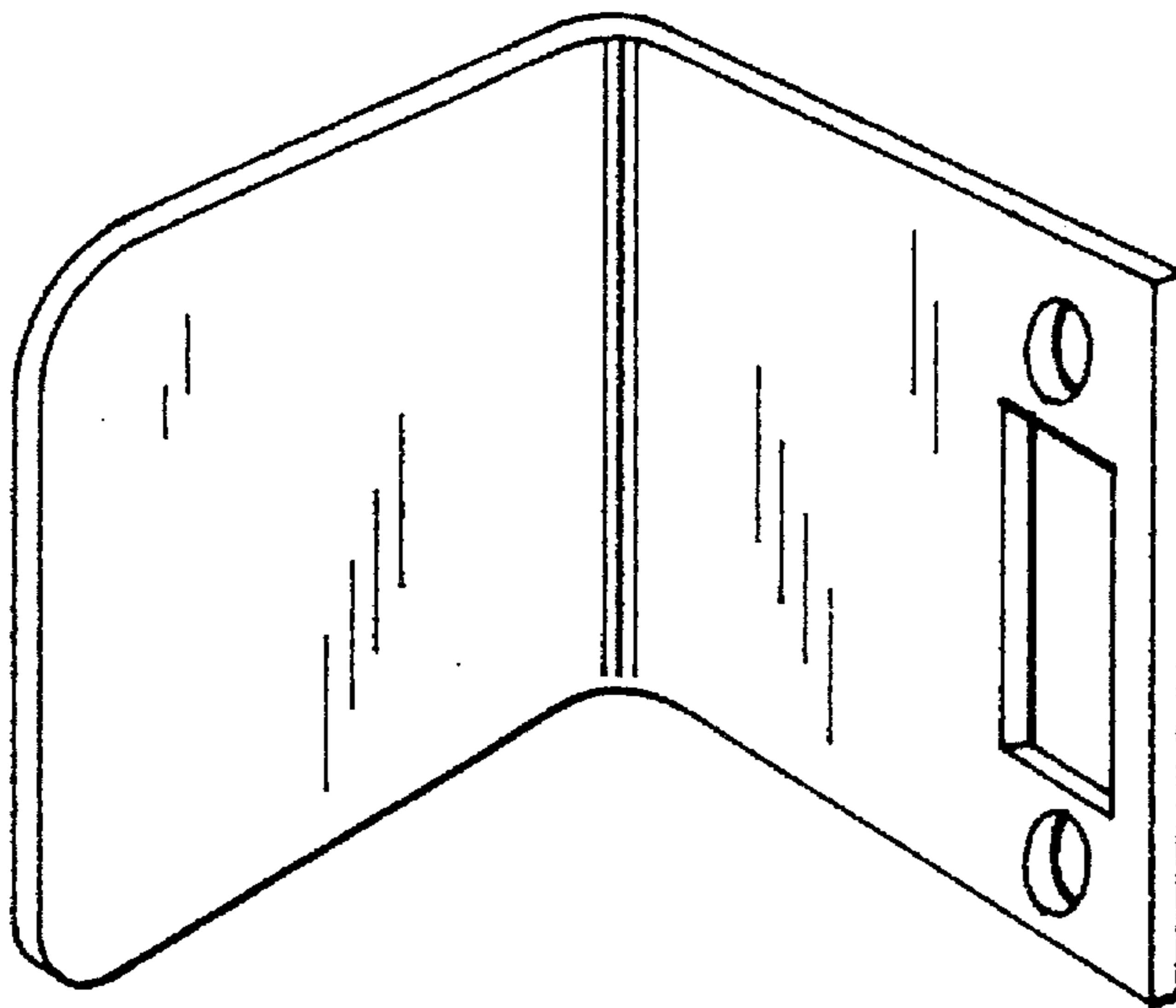


FIG. 3

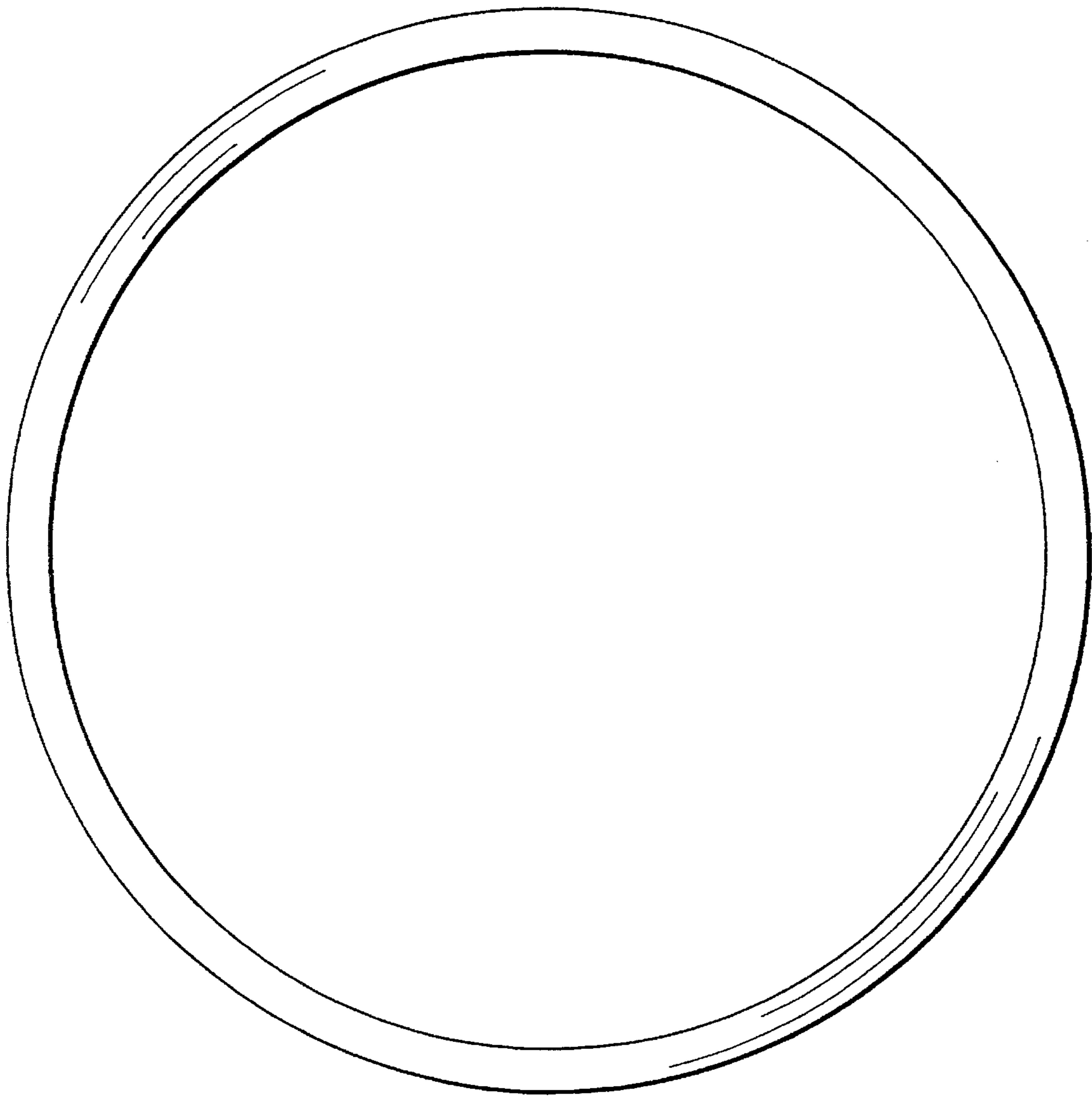


FIG. 4