



US00D376746S

United States Patent [19]

Abeyta

[11] Patent Number: **Des. 376,746**

[45] Date of Patent: ****Dec. 24, 1996**

[54] WINDOW FRAME EXTRACTING TOOL

[76] Inventor: **Monico Abeyta**, 1323 S. 40th St., Tacoma, Wash. 98408

[**] Term: **14 Years**

[21] Appl. No.: **47,369**

[22] Filed: **Dec. 1, 1995**

[52] U.S. Cl. **D8/88**

[58] Field of Search D8/14, 51, 52, D8/88, 107; 81/427.5, 488; 254/113, 120, 121, 131, 132, 133

[56] **References Cited**

U.S. PATENT DOCUMENTS

D. 291,051	7/1987	Difede	D8/51
D. 300,901	5/1989	Lapelusa	D8/51
D. 312,196	11/1990	Norona	D8/88
D. 341,537	11/1993	Halsey	D8/88
2,718,375	9/1955	Purdy	254/131

Primary Examiner—Philip S. Hyder
Attorney, Agent, or Firm—Harold H. Dutton, Jr.; W. Charles L. Jamison; Diane F. Liebman

[57] **CLAIM**

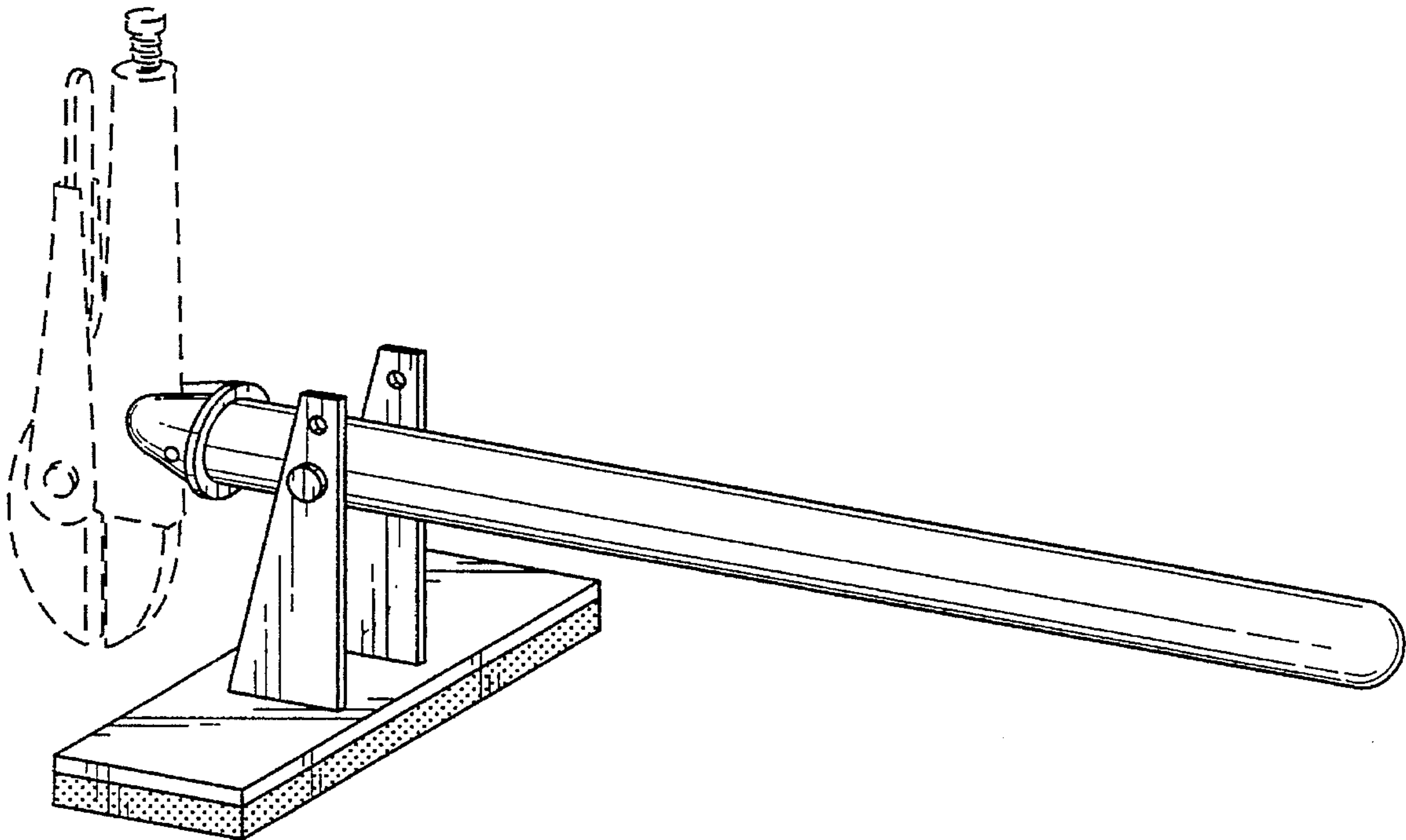
The ornamental design for a window frame extracting tool, as shown and described.

DESCRIPTION

FIG. 1 is a perspective view of a window frame extracting tool showing my new design;
FIG. 2 is a rear view thereof;
FIG. 3 is a left end view thereof;
FIG. 4 is a right end view thereof;
FIG. 5 is a top view thereof; and,
FIG. 6 is a bottom view thereof.

The broken line portion of FIG. 1 is for illustrative purposes only and forms no part of the claimed design.

1 Claim, 3 Drawing Sheets



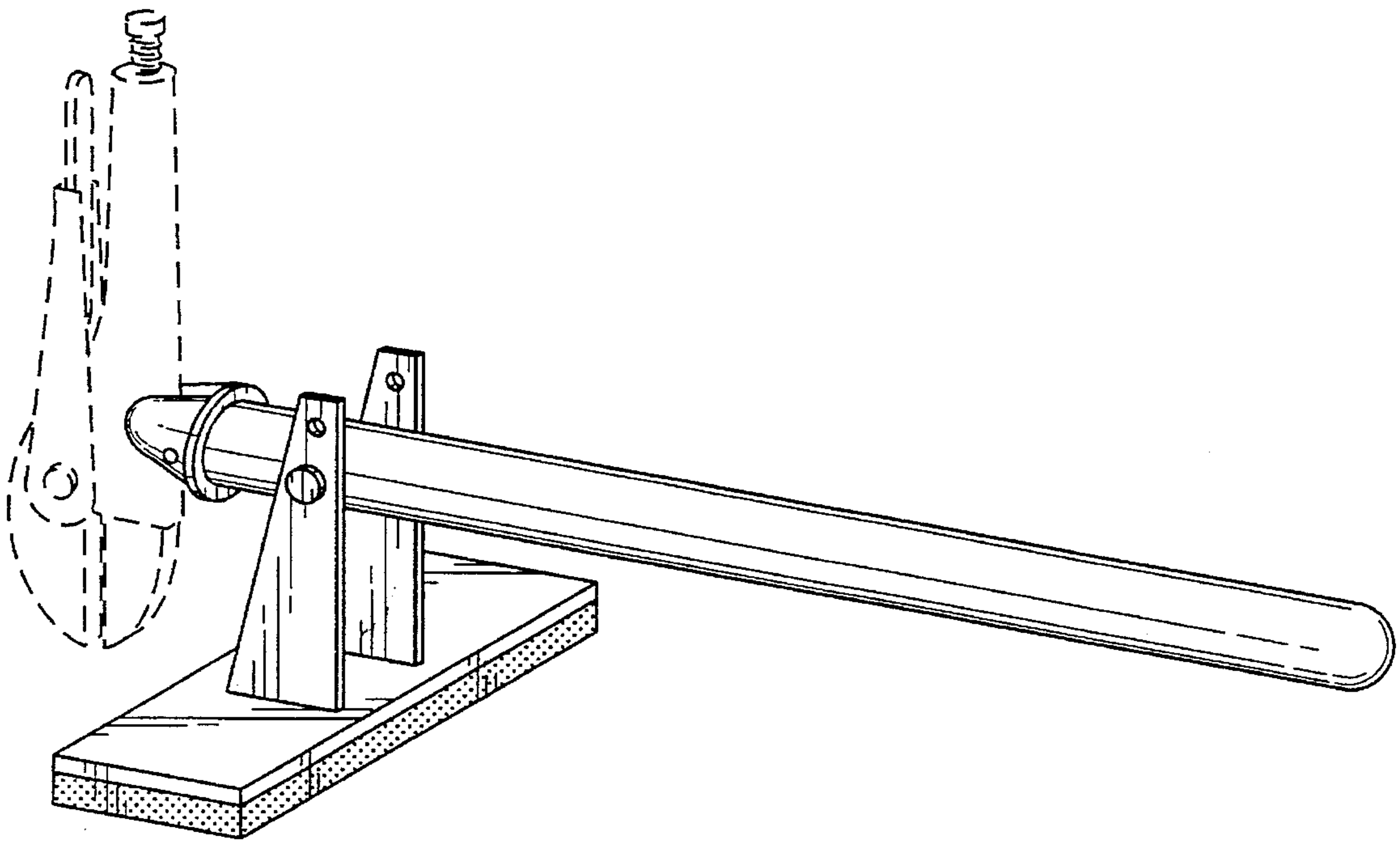


FIG. 1

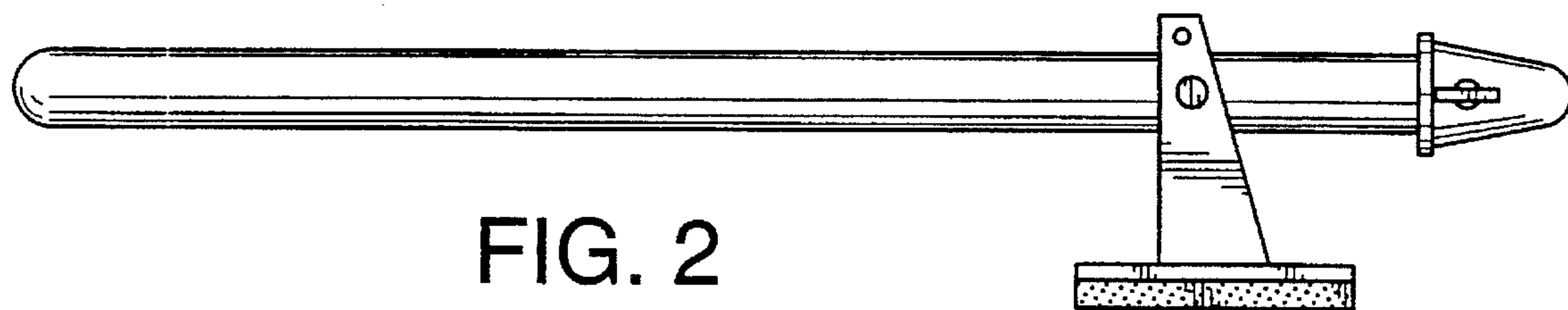


FIG. 2

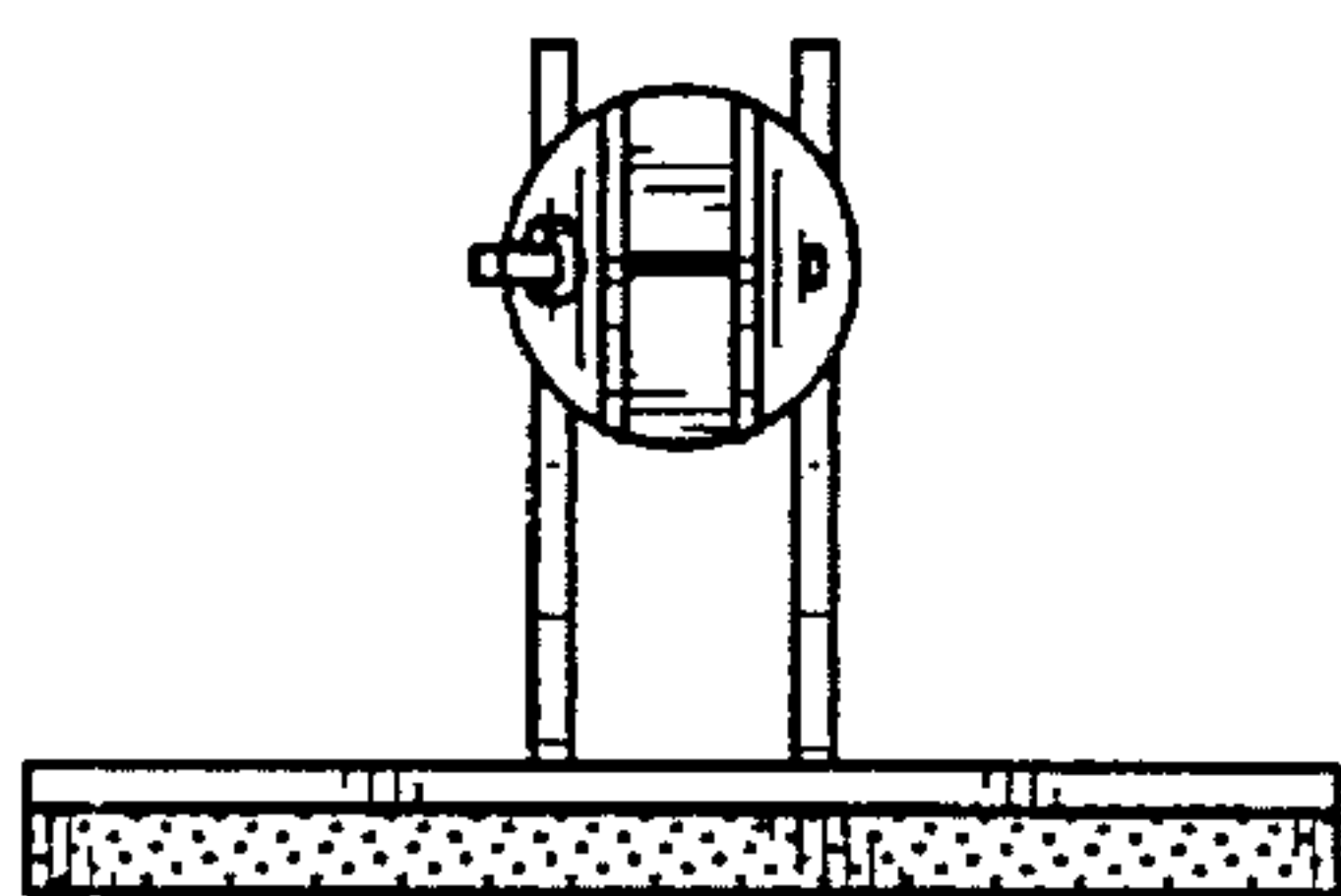


FIG. 3

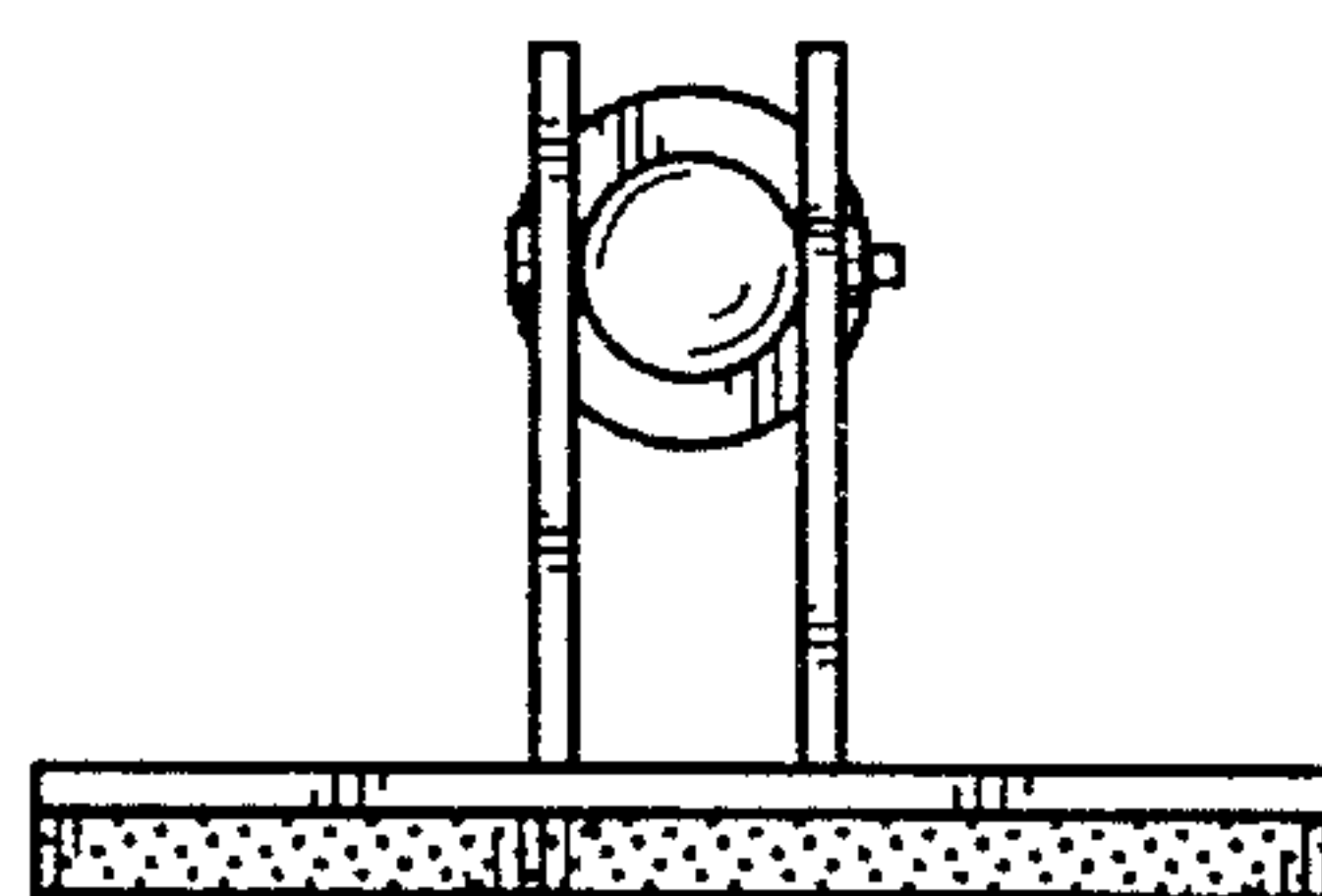


FIG. 4

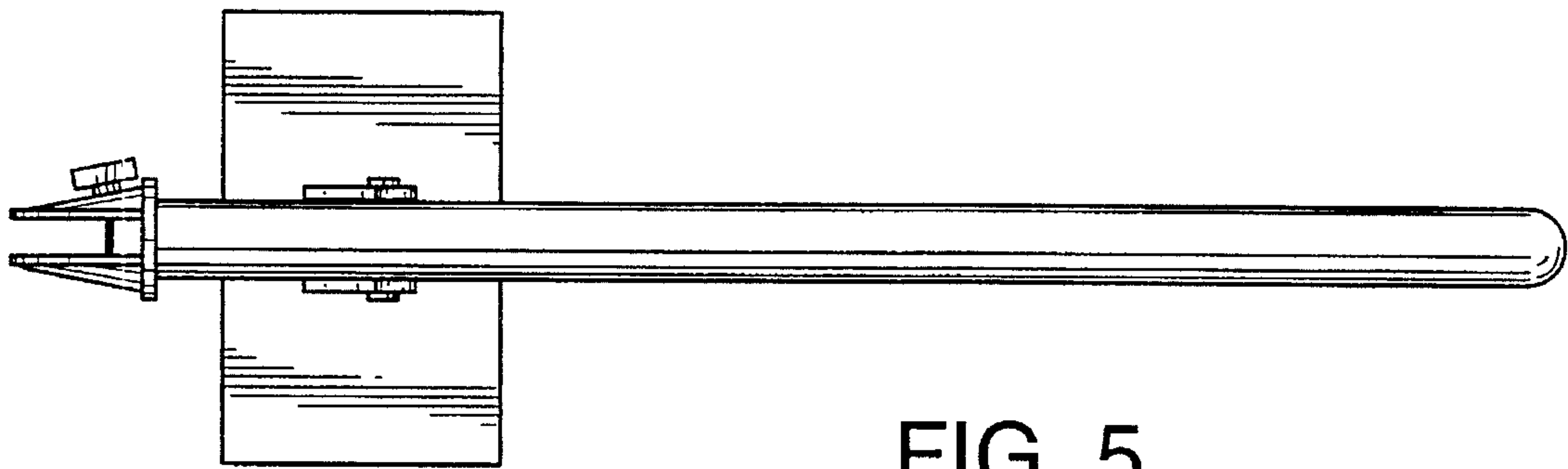


FIG. 5

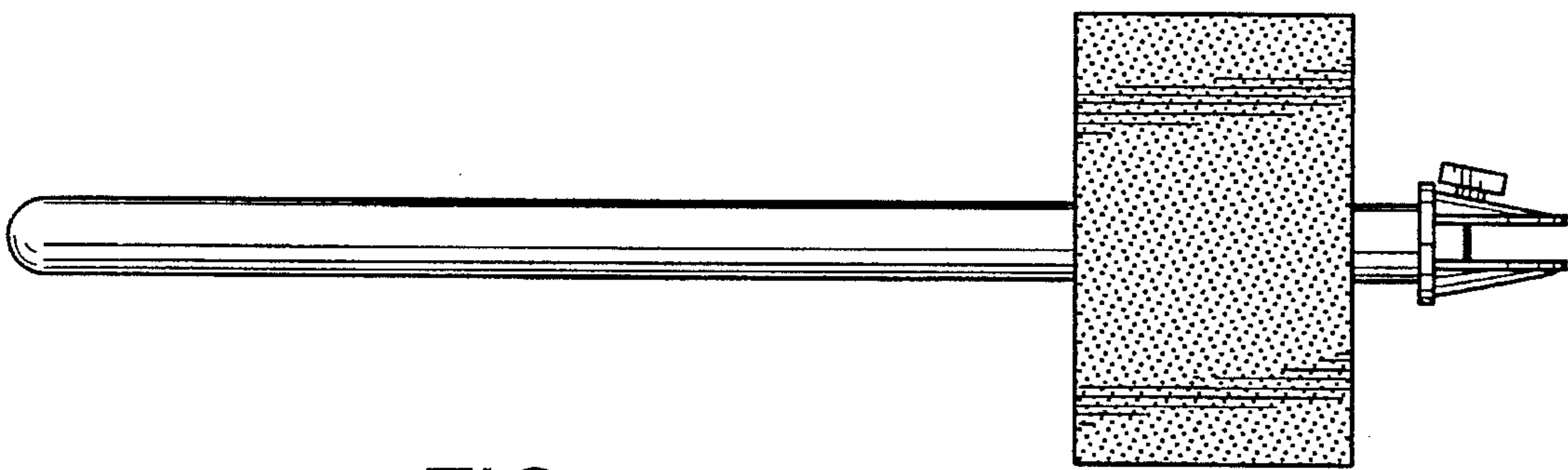


FIG. 6