



US00D376741S

# United States Patent [19]

[11] Patent Number: **Des. 376,741**

Sadlowski, Sr.

[45] Date of Patent: **\*\*Dec. 24, 1996**

[54] **MULCHING ATTACHMENT FOR A LAWN MOWER**

4,967,546 11/1990 Forbush ..... 56/225

[76] Inventor: **Gerald R. Sadlowski, Sr.**, 4515 Groveland St., Bradenton, Fla. 34207

*Primary Examiner*—Brian N. Vinson  
*Attorney, Agent, or Firm*—Harold H. Dutton, Jr.; W. Charles L. Jamison; Diane F. Liebman

[\*\*] Term: **14 Years**

[57] **CLAIM**

[21] Appl. No.: **44,449**

The ornamental design for a mulching attachment for a lawn mower, as shown and described.

[22] Filed: **Sep. 25, 1995**

[52] U.S. Cl. .... **D8/8; D8/1**

**DESCRIPTION**

[58] Field of Search ..... D8/7, 8, 9; D15/17; 56/16.7, 12.7, 249, 289, DIG. 20

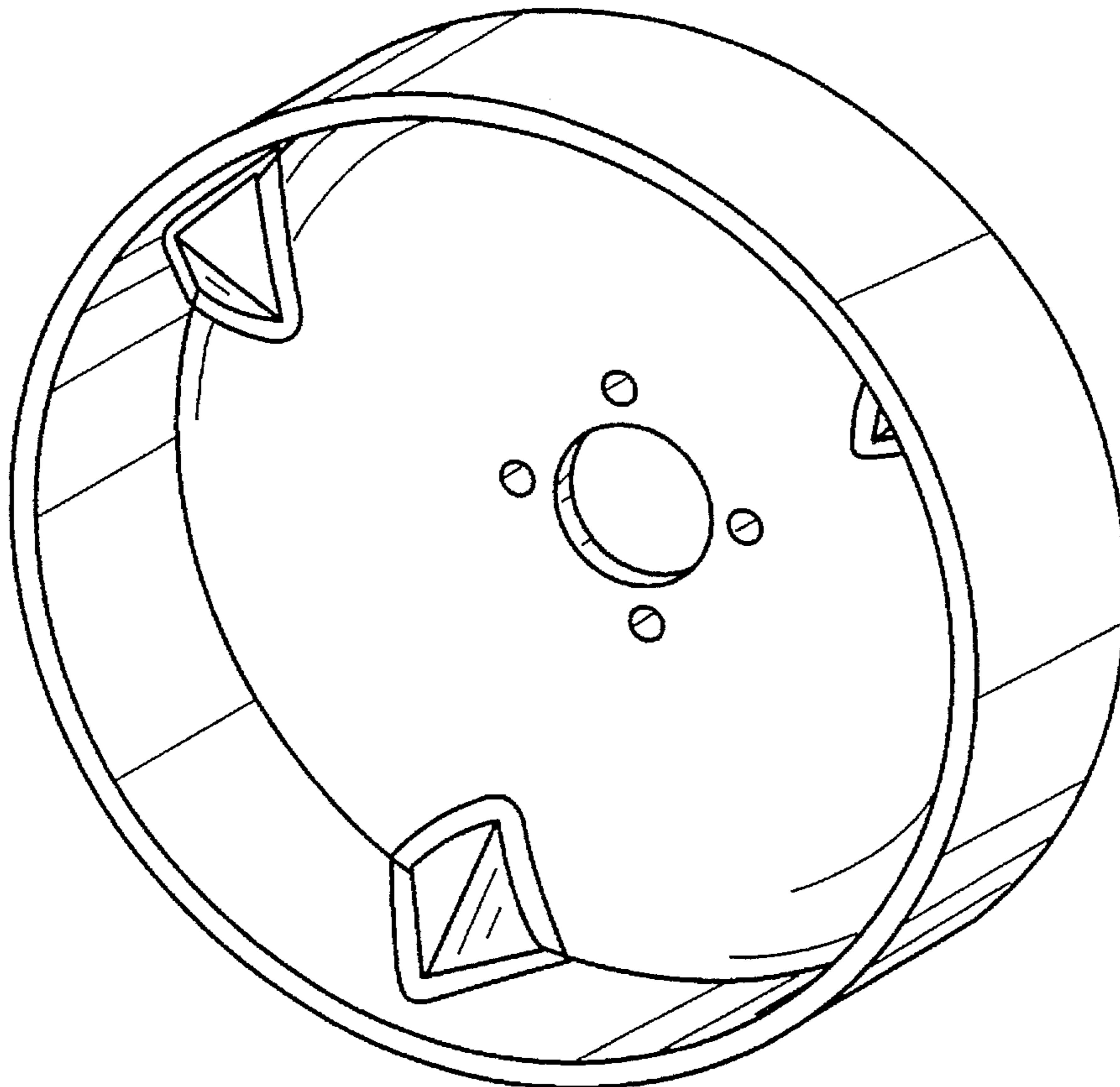
FIG. 1 is a bottom perspective view of a mulching attachment for a lawn mower showing my new design; FIG. 2 is a bottom plan view thereof; FIG. 3 is a top plan view thereof; and, FIG. 4 is a side elevational view thereof, the adjacent and opposite sides being identical in appearance.

[56] **References Cited**

**U.S. PATENT DOCUMENTS**

D. 28,530	5/1898	Meyer	.....	D8/8
D. 347,773	6/1994	Nash	.....	D8/8
D. 357,482	4/1995	Forbush	.....	D8/1

**1 Claim, 2 Drawing Sheets**



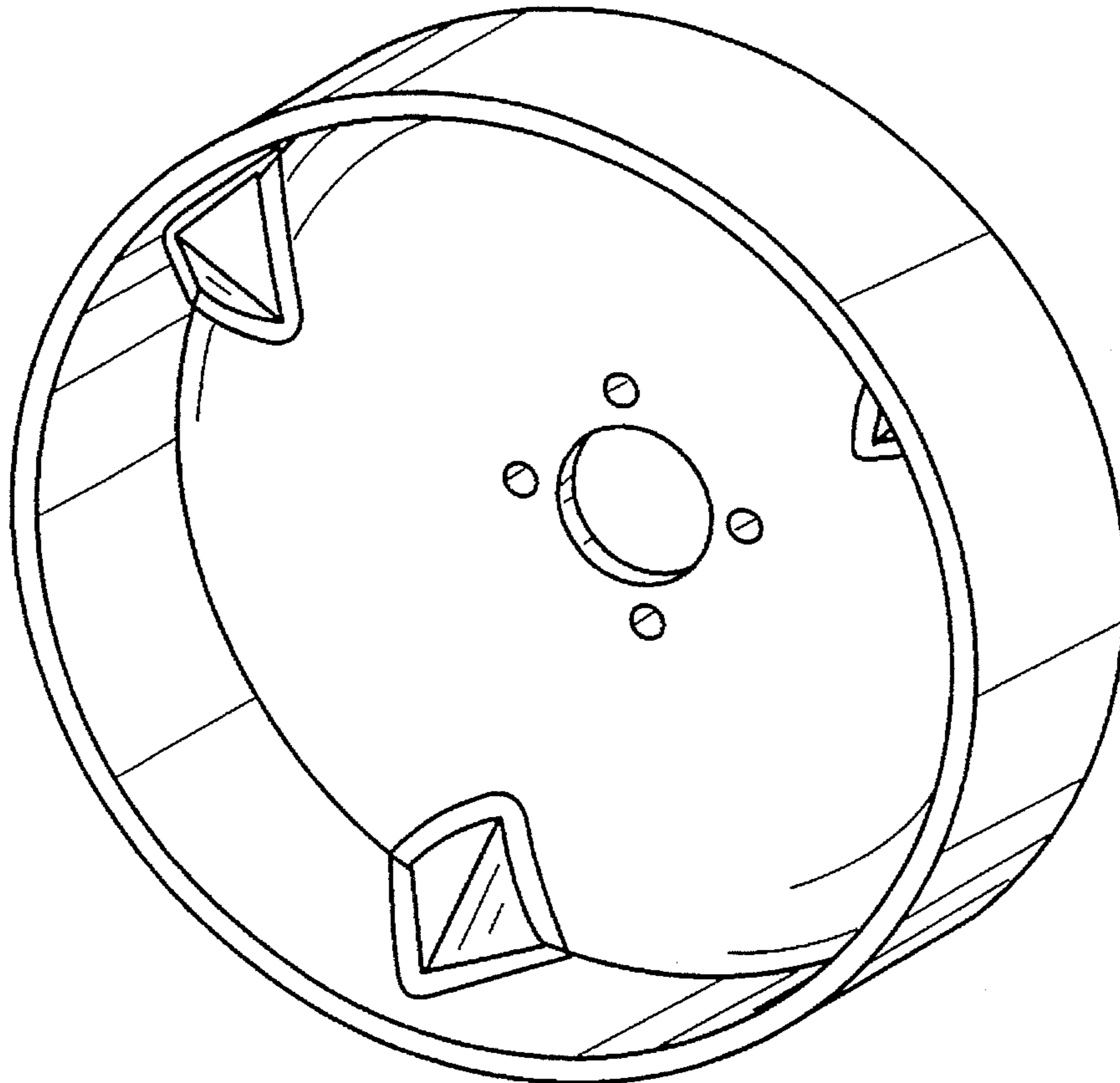


FIG. 1

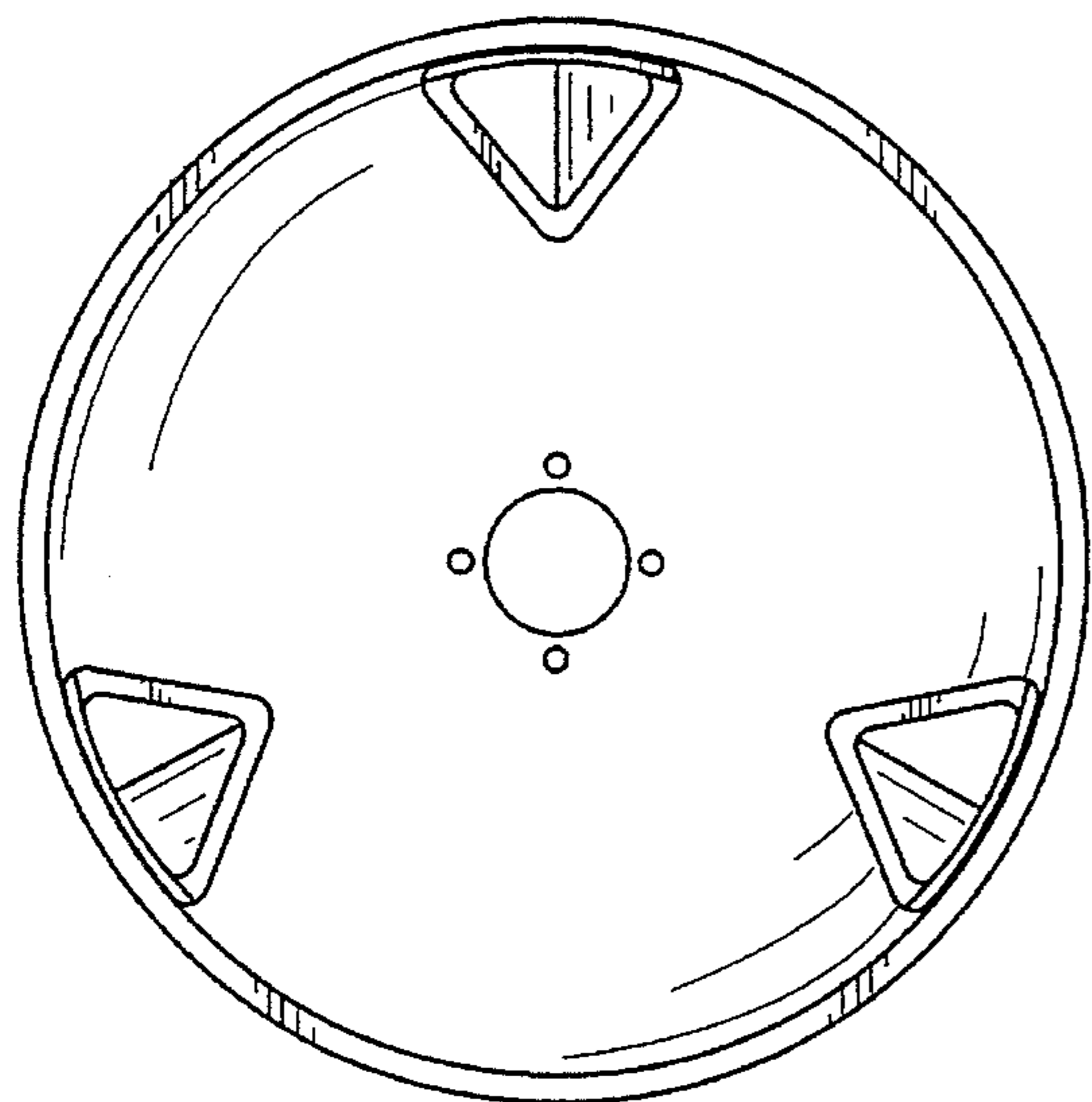


FIG. 2

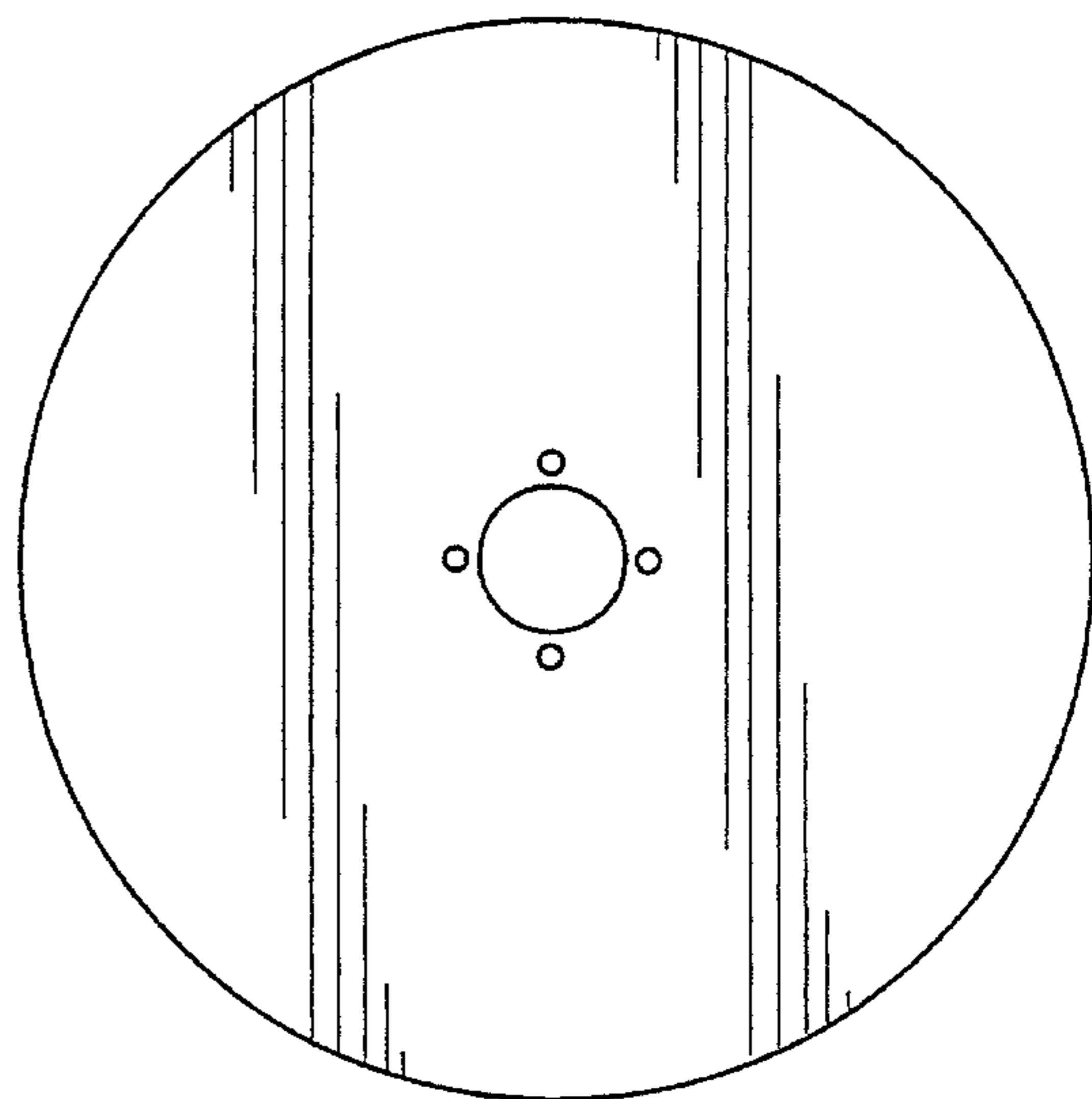


FIG. 3



FIG. 4