



US00D376737S

United States Patent [19]

Hecker

[11] Patent Number: Des. 376,737

[45] Date of Patent: **Dec. 24, 1996

[54] CUTTING BOARD WITH PLASTIC BAG HOLDER

[76] Inventor: Raymond G. Hecker, 300 Twin Dr., Caseyville, Ill. 62232

[**] Term: 14 Years

[21] Appl. No.: 39,723

[22] Filed: Jun. 5, 1995

[52] U.S. Cl. D7/698; D6/485; 248/95

[58] Field of Search D7/698; D6/485; D8/370; D34/1, 5, 6; 248/95, 97-101

4,712,692	12/1987	Peinsipp	211/119
4,984,758	1/1991	Young	248/95
4,998,694	3/1991	Barteaux	248/100
5,069,350	12/1991	Wolff et al.	211/87
5,458,301	10/1995	Courmoyer	248/95

Primary Examiner—Nelson C. Holtje
Assistant Examiner—Caron D. Veynar
Attorney, Agent, or Firm—Grace J. Fishel

[57] CLAIM

The ornamental design for a cutting board with plastic bag holder, as shown and described.

DESCRIPTION

FIG. 1 is a perspective view of a cutting board with plastic bag holder showing my new design in use;
FIG. 2 is a top view thereof;
FIG. 3 is a front view thereof;
FIG. 4 is a bottom view thereof;
FIG. 5 is a rear view thereof; and,
FIG. 6 is a side view, the opposite side view being a mirror image thereof.

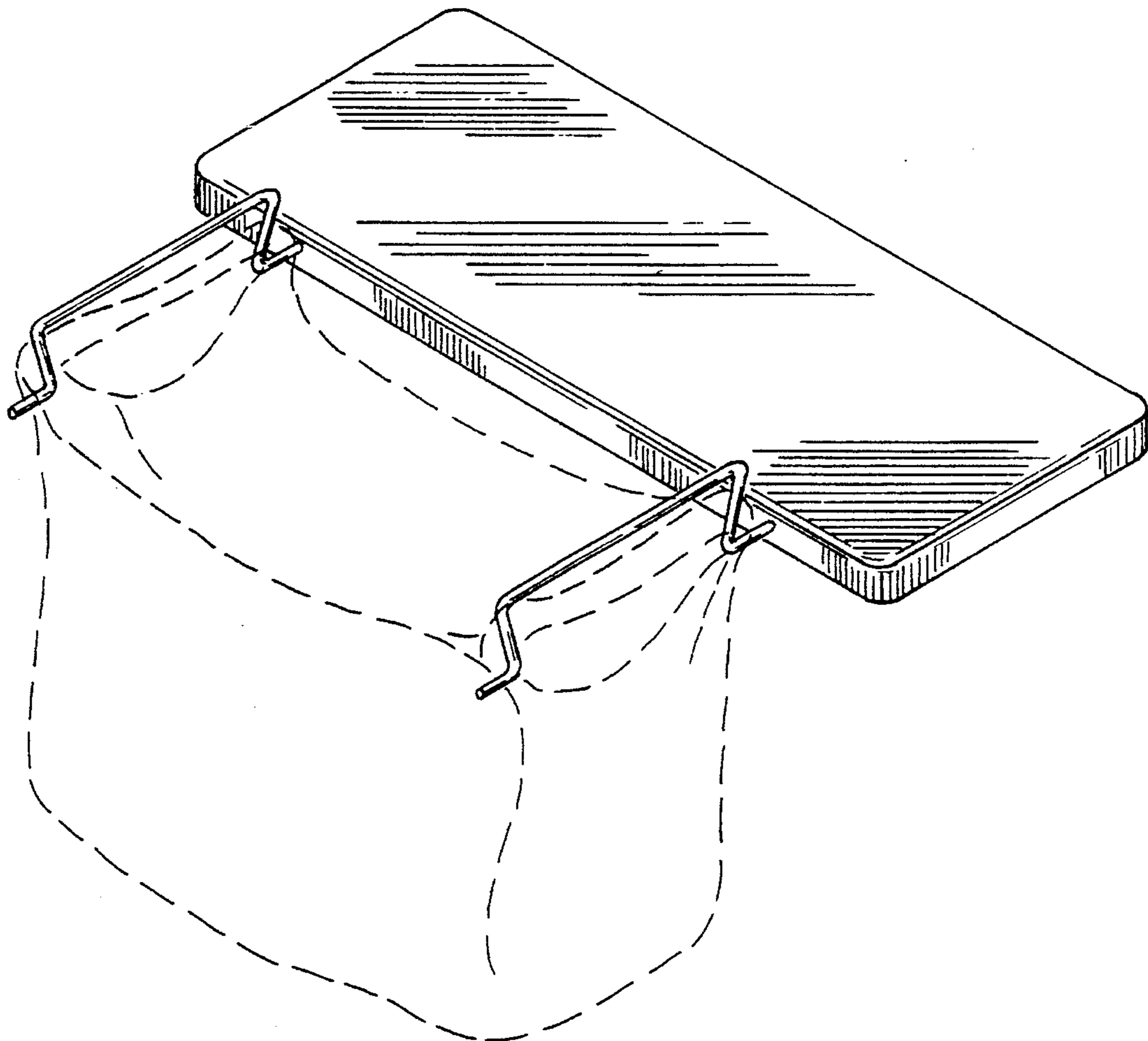
The plastic bag shown in broken lines in FIG. 1 is environmental only and forms no part of the claimed design.

1 Claim, 2 Drawing Sheets

[56] References Cited

U.S. PATENT DOCUMENTS

D. 206,758	1/1967	Radtke	D7/698 X
D. 273,159	3/1984	Adamson et al.	D6/85
D. 586,484	7/1897	Gilbert	248/100
807,092	12/1905	Russell	248/99 X
978,441	12/1910	Fairman et al.	248/99
983,108	1/1911	Allshouse	248/99 X
1,240,852	9/1917	Israelson	248/100
1,402,227	1/1922	Gilbert	248/100
2,778,554	1/1957	Porkola	248/99
3,162,414	12/1964	Maschek	248/101
3,175,793	3/1965	Kennedy	248/99



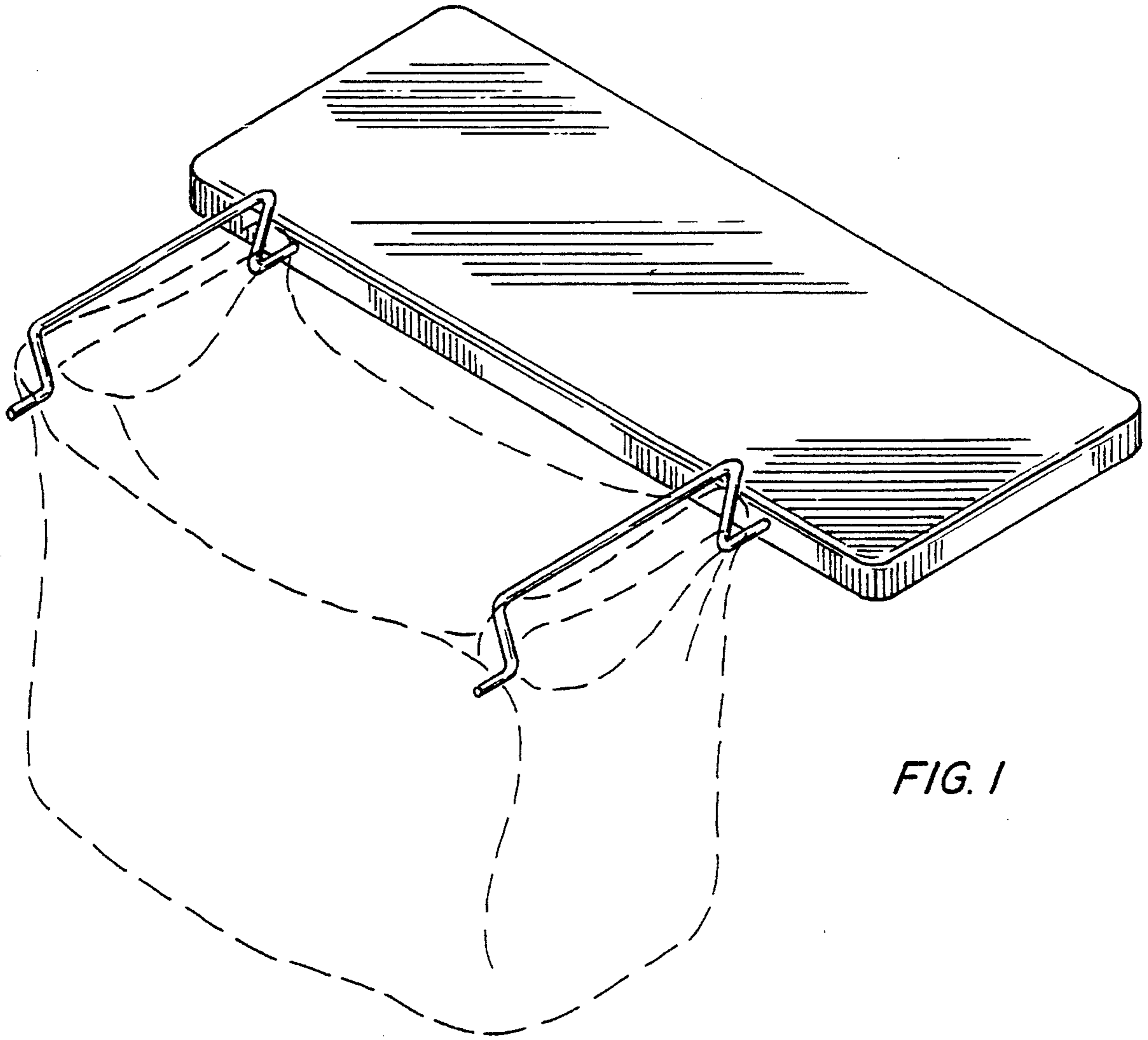


FIG. 1

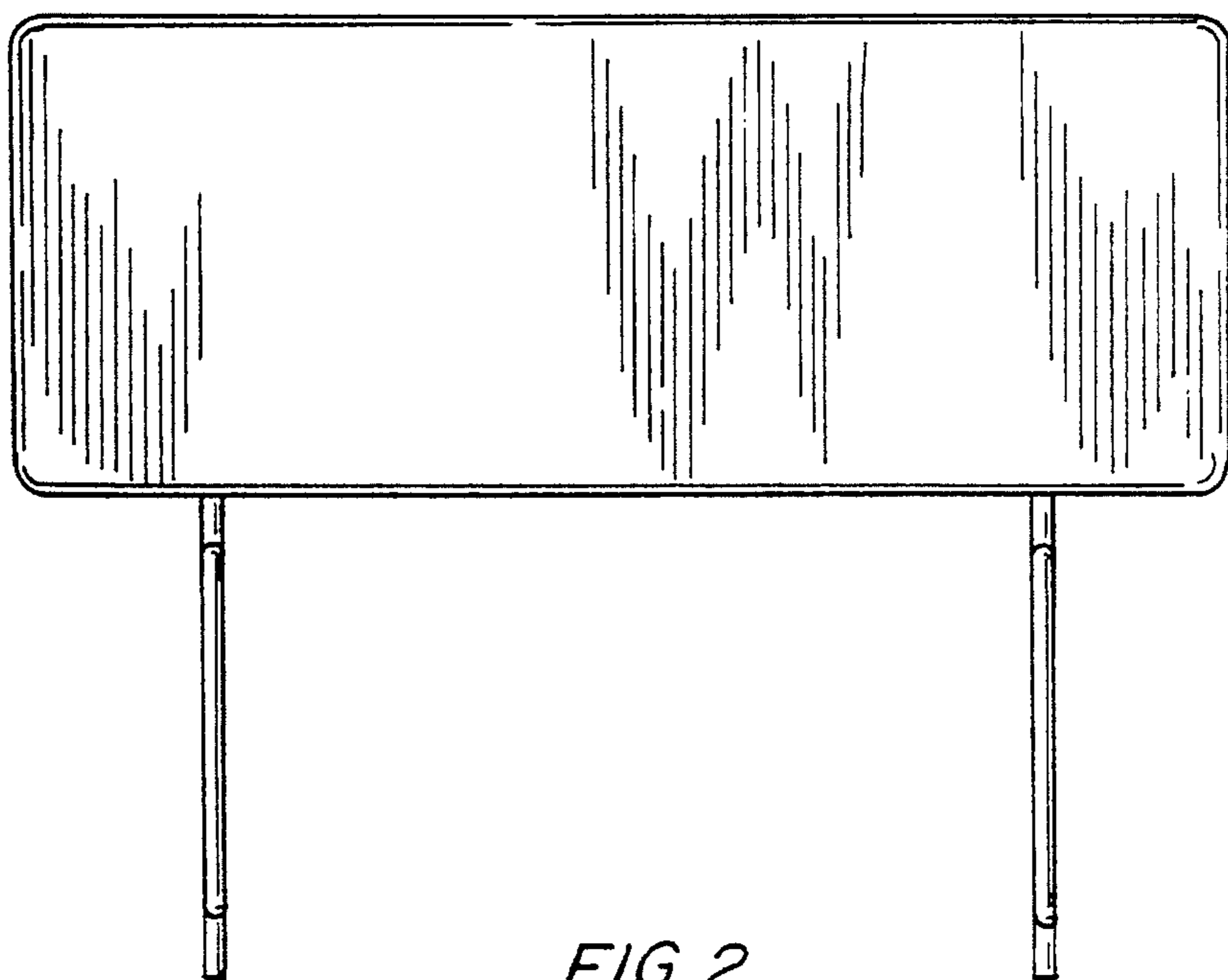


FIG. 2

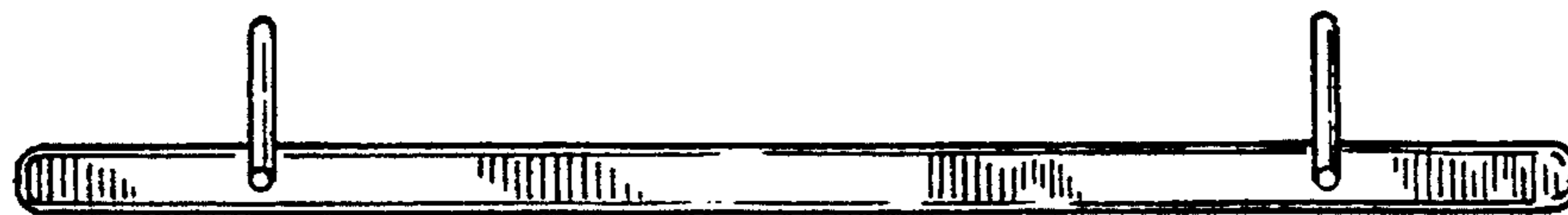


FIG. 3

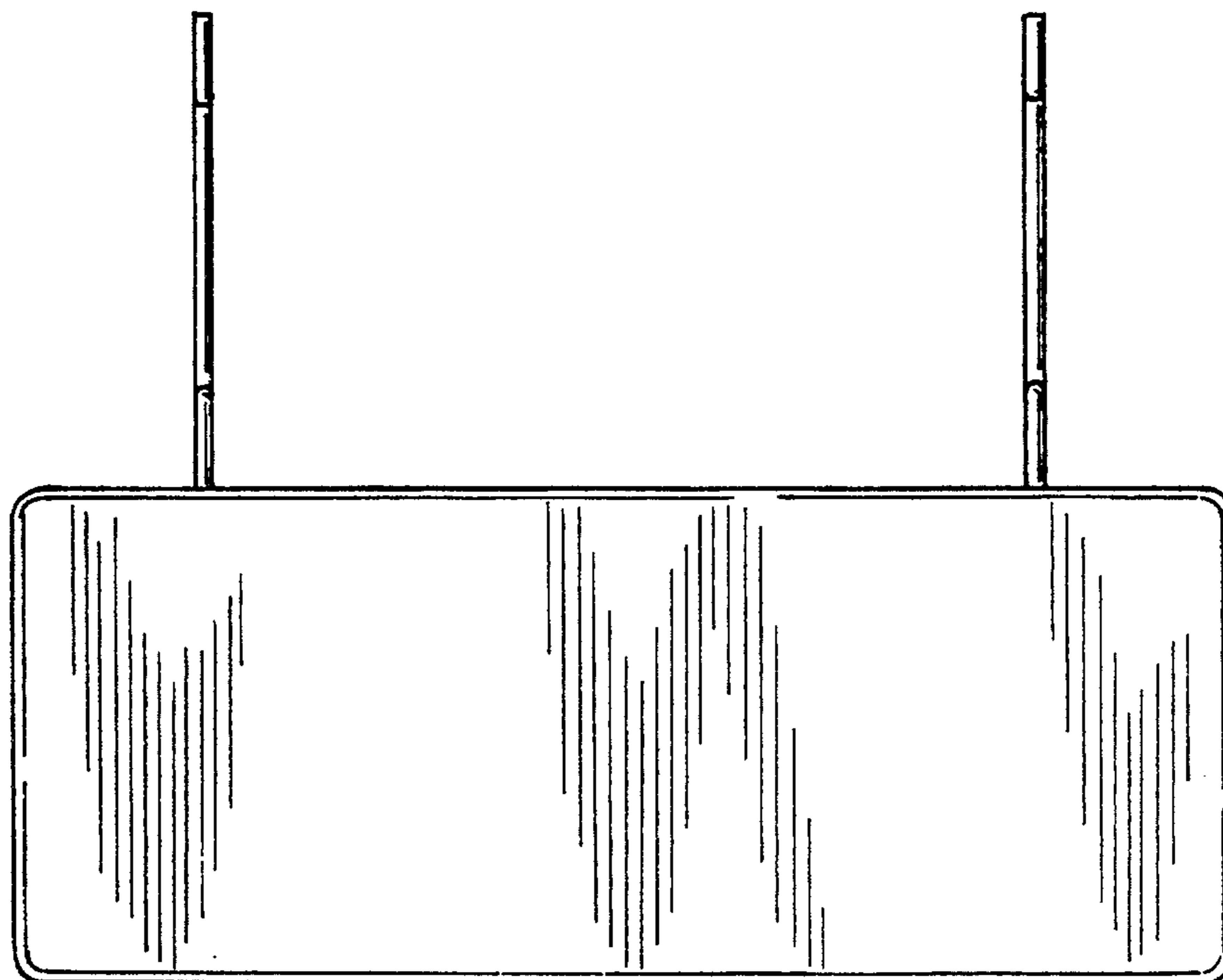


FIG. 4



FIG. 5



FIG. 6