



US00D376736S

United States Patent [19] Kim

[11] Patent Number: **Des. 376,736**

[45] Date of Patent: ****Dec. 24, 1996**

[54] **JUICE EXTRACTOR**

[76] Inventor: **Jong-Gill Kim**, 301, Hyundai Villa,
2/1, 810-14, Bangbae-dong, Seocho-ku,
Seoul, Rep. of Korea, 137-060

[**] Term: **14 Years**

[21] Appl. No.: **45,653**

[22] Filed: **Oct. 25, 1995**

[30] **Foreign Application Priority Data**

May 15, 1995 [KR] Rep. of Korea 8986/1995

[52] U.S. Cl. **D7/665**

[58] Field of Search D7/369, 384, 386,
D7/372, 665, 666; 99/501-506

[56] **References Cited**

U.S. PATENT DOCUMENTS

D. 118,270 12/1939 Strauss D7/372

D. 236,283 8/1975 McCue D7/372
D. 362,597 9/1995 Kim D7/665
2,767,644 10/1956 Bireley D7/665 X

Primary Examiner—Terry A. Wallace
Attorney, Agent, or Firm—Wenderoth, Lind & Ponack

[57] **CLAIM**

The ornamental design for a juice extractor, as shown and described.

DESCRIPTION

FIG. 1 is a perspective view of a juice extractor showing my new design;
FIG. 2 is a front elevation view thereof;
FIG. 3 is a rear elevation view thereof;
FIG. 4 is a left side elevation view thereof;
FIG. 5 is a right side elevation view thereof;
FIG. 6 is a top plan view thereof; and,
FIG. 7 is a bottom plan view thereof.

1 Claim, 3 Drawing Sheets

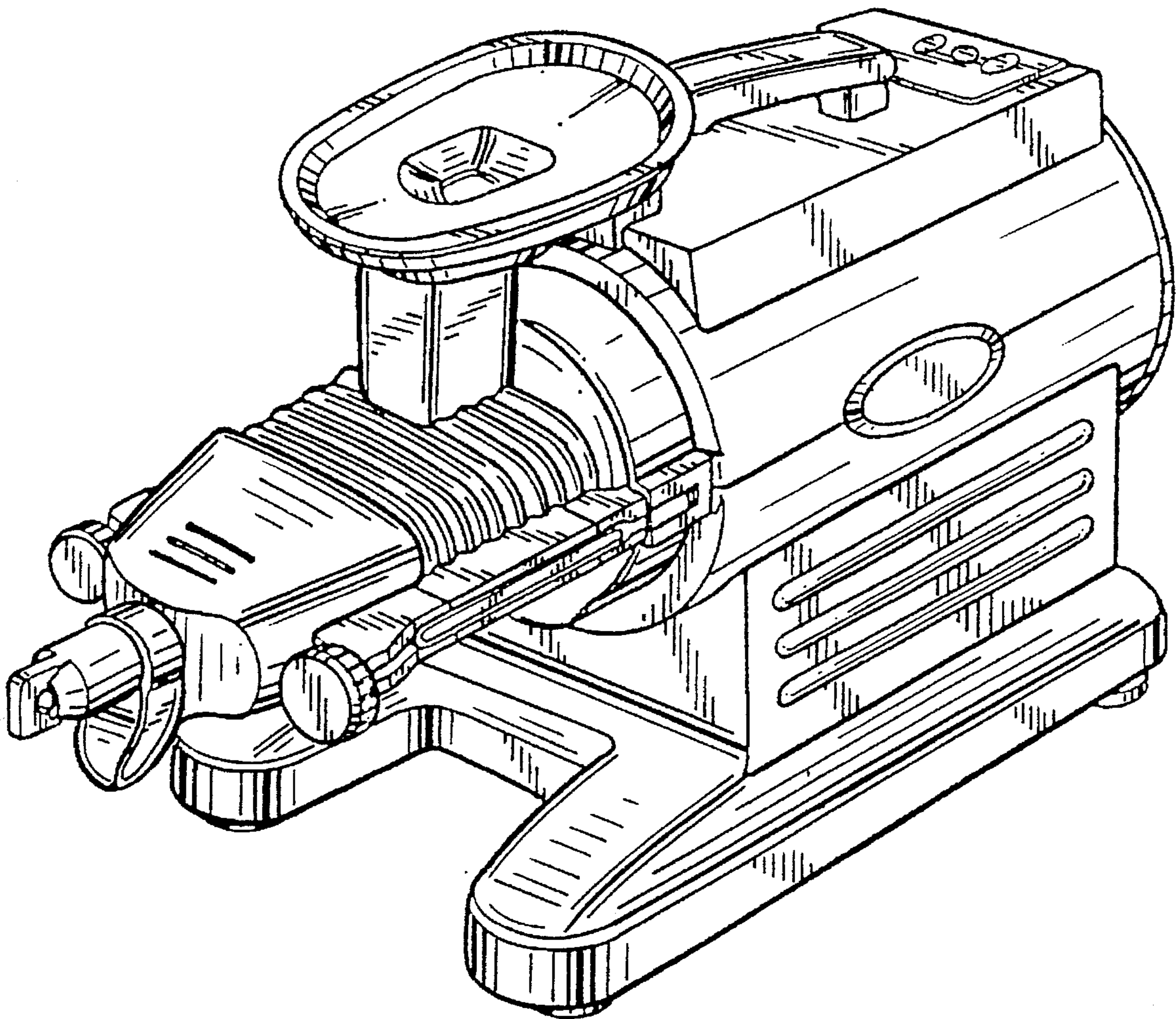


FIG. 1

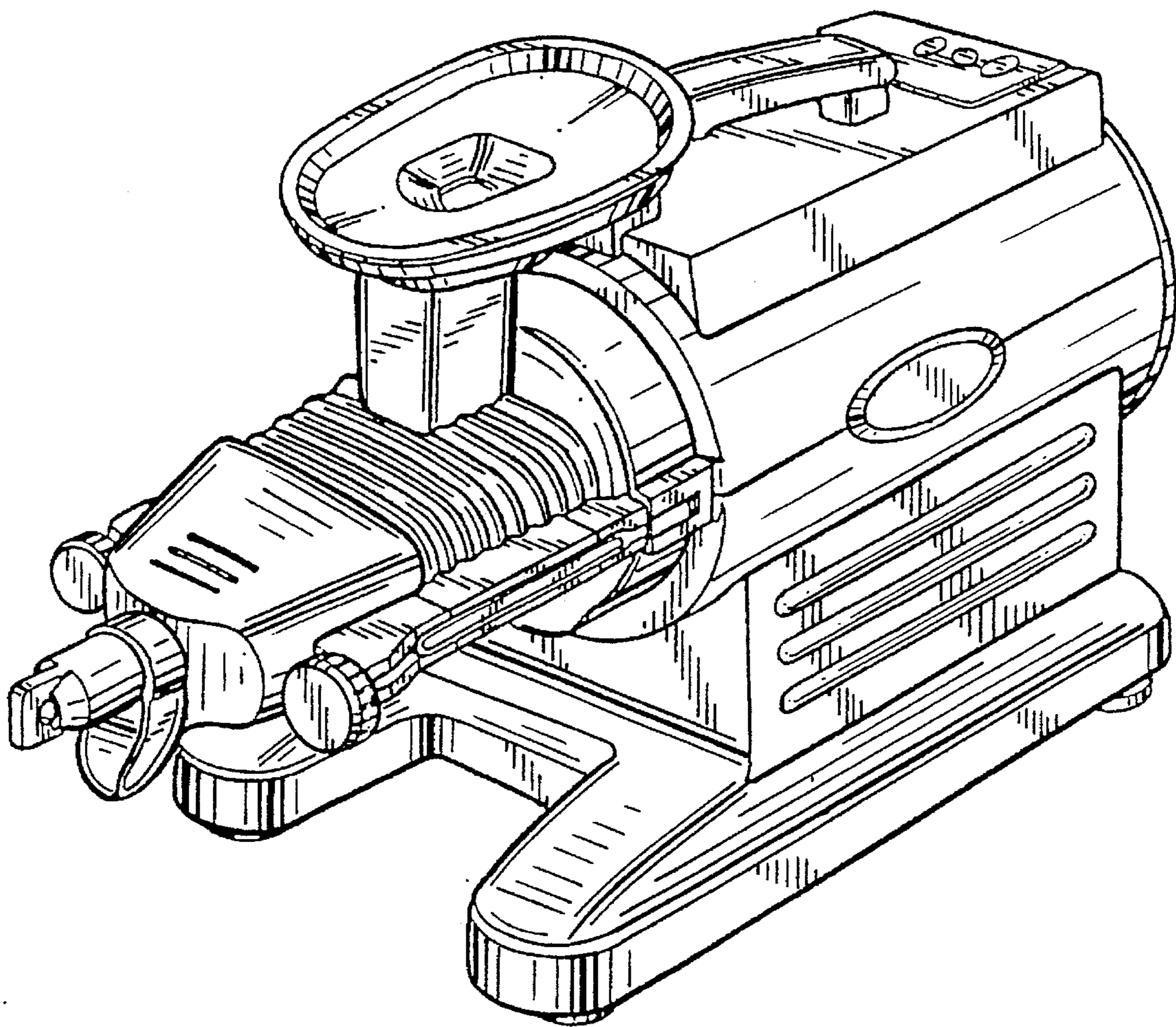


FIG. 2

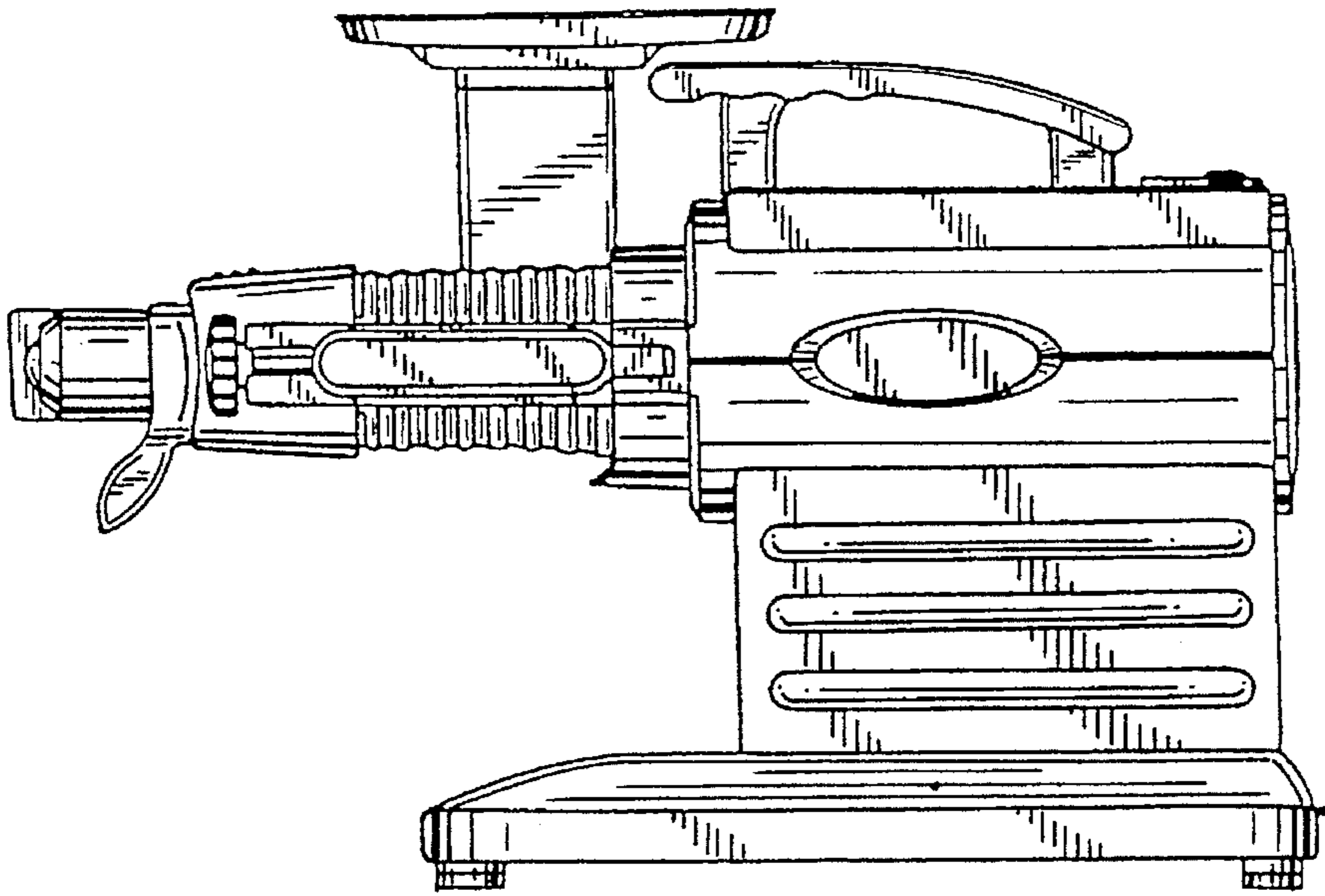


FIG. 3

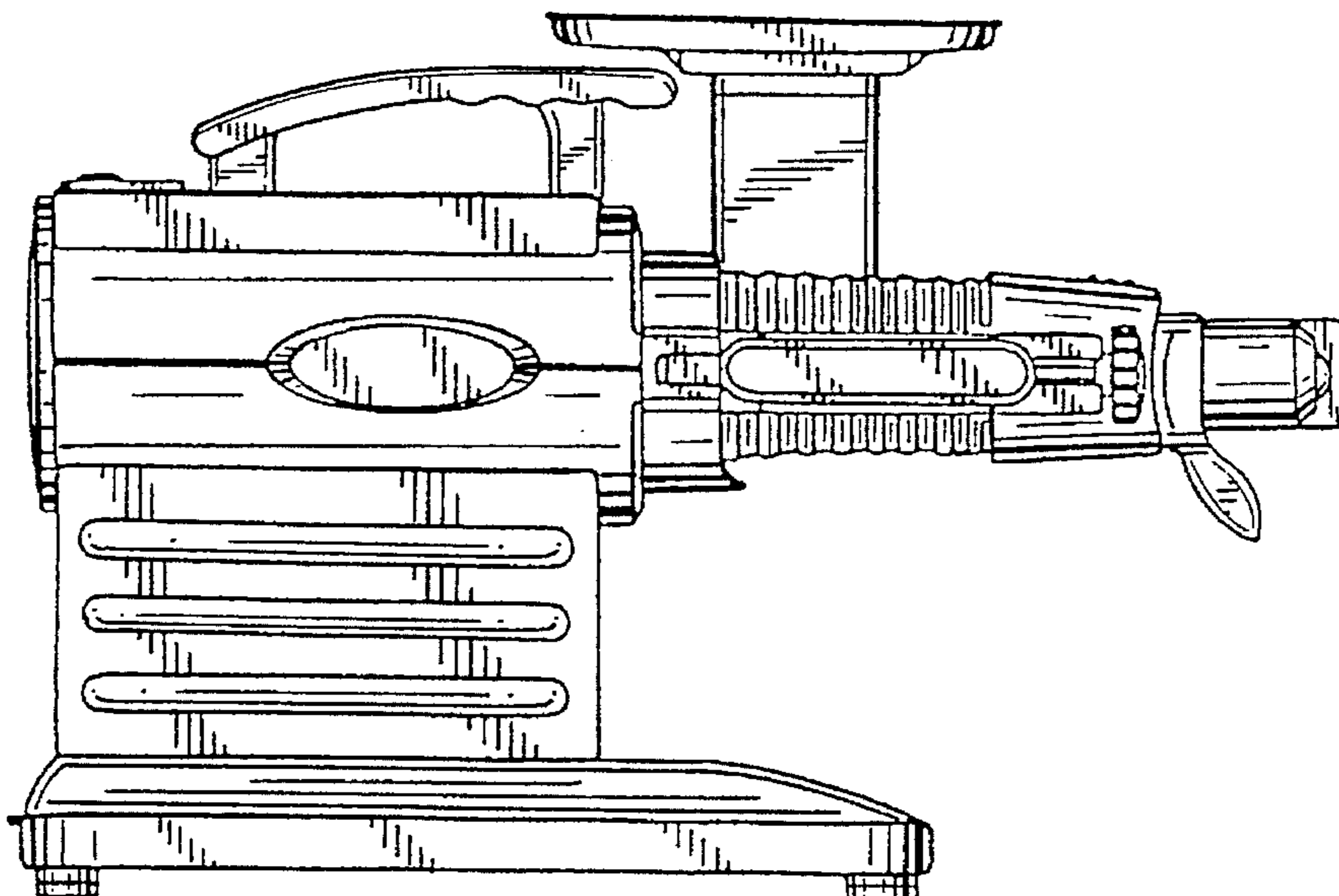


FIG. 4

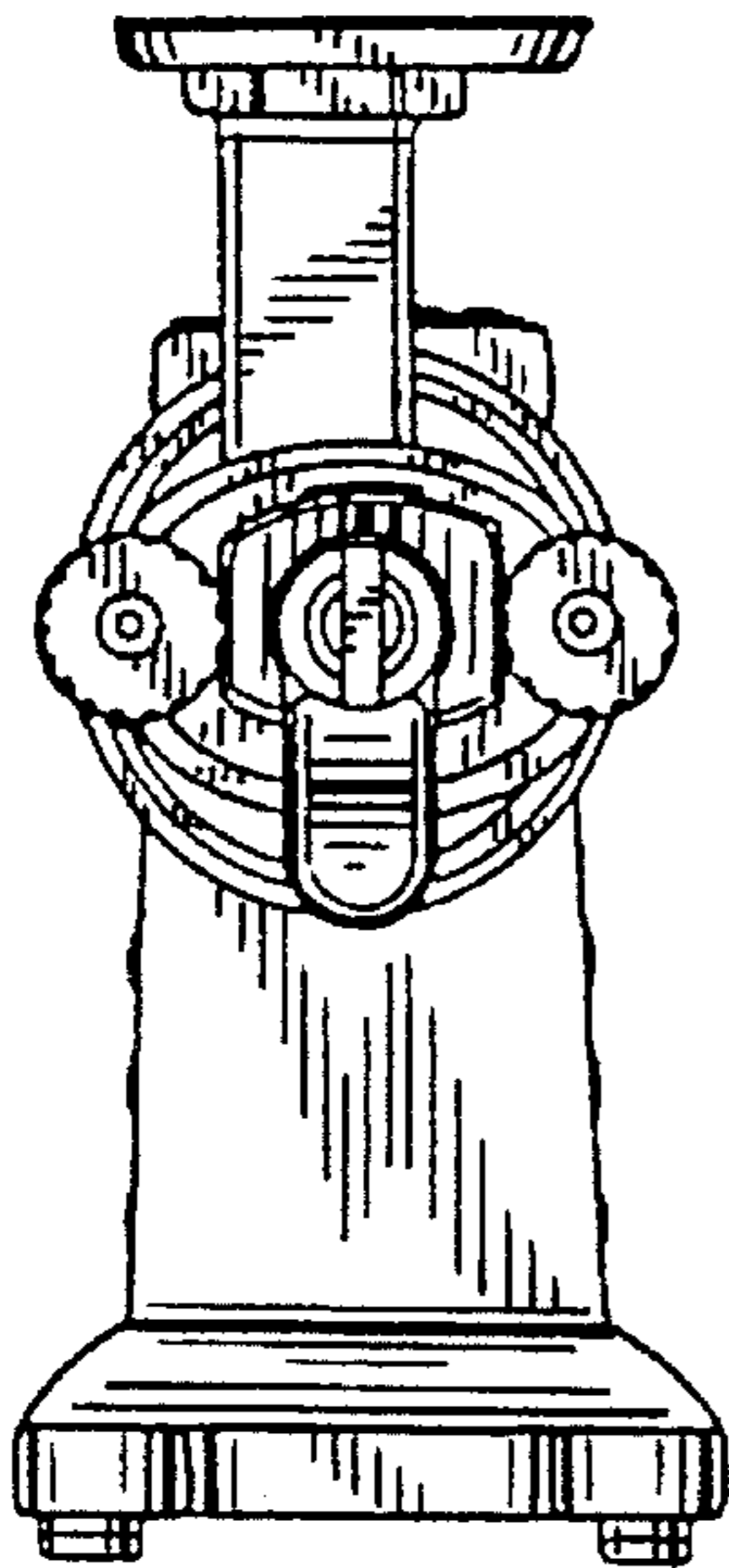


FIG. 5

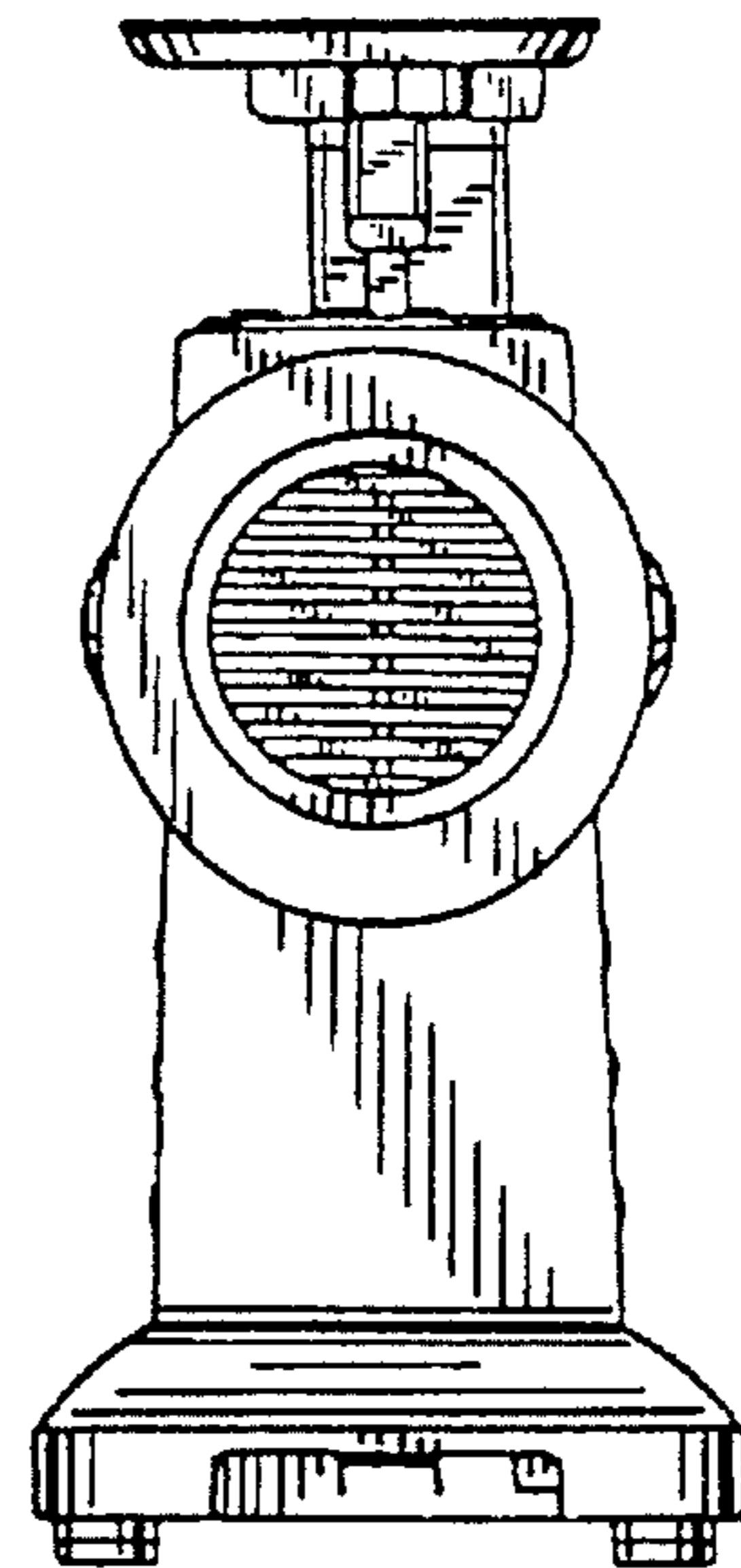


FIG. 6

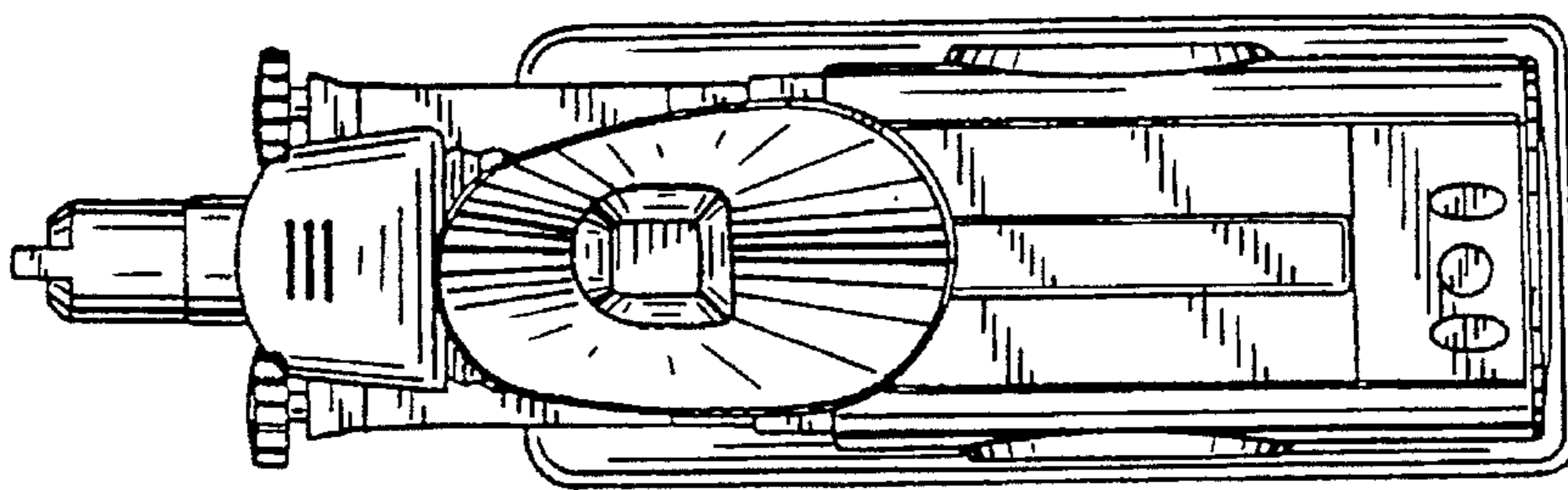


FIG. 7

