



US00D376734S

United States Patent [19]

Petrie

[11] Patent Number: **Des. 376,734**

[45] Date of Patent: ****Dec. 24, 1996**

[54] **BABY FORMULA CASE**

[75] Inventor: **Aidan J. Petrie**, Providence, R.I.

[73] Assignee: **The First Years Inc.**, Avon, Mass.

[**] Term: **14 Years**

[21] Appl. No.: **44,818**

[22] Filed: **Sep. 29, 1995**

3,487,972	1/1970	Swett .
3,547,303	12/1970	Mascia .
4,034,885	7/1977	Hunckler .
4,253,572	3/1981	Halbich .
4,955,503	9/1990	Propes .

Primary Examiner—Terry A. Wallace
Attorney, Agent, or Firm—Fish & Richardson P.C.

Related U.S. Application Data

[63] Continuation of Ser. No. 31,020, Nov. 15, 1994, abandoned.

[52] U.S. Cl. **D7/629**

[58] Field of Search D7/300, 300.1,
D7/305, 312, 321, 538-549, 629, 602;
D9/414, 418, 424, 430, 434, 435, 447;
220/306, 307, 281, 352, 355; 206/45.32,
45.33; 222/142.1, 480, 571, 572

[56] References Cited

U.S. PATENT DOCUMENTS

112,352	3/1871	Jessup .	
D. 137,262	2/1944	Hiemenz	D7/629
D. 317,261	6/1991	Brown et al.	D9/430
1,576,088	4/1925	Bunz .	
3,381,875	5/1968	Tunick .	

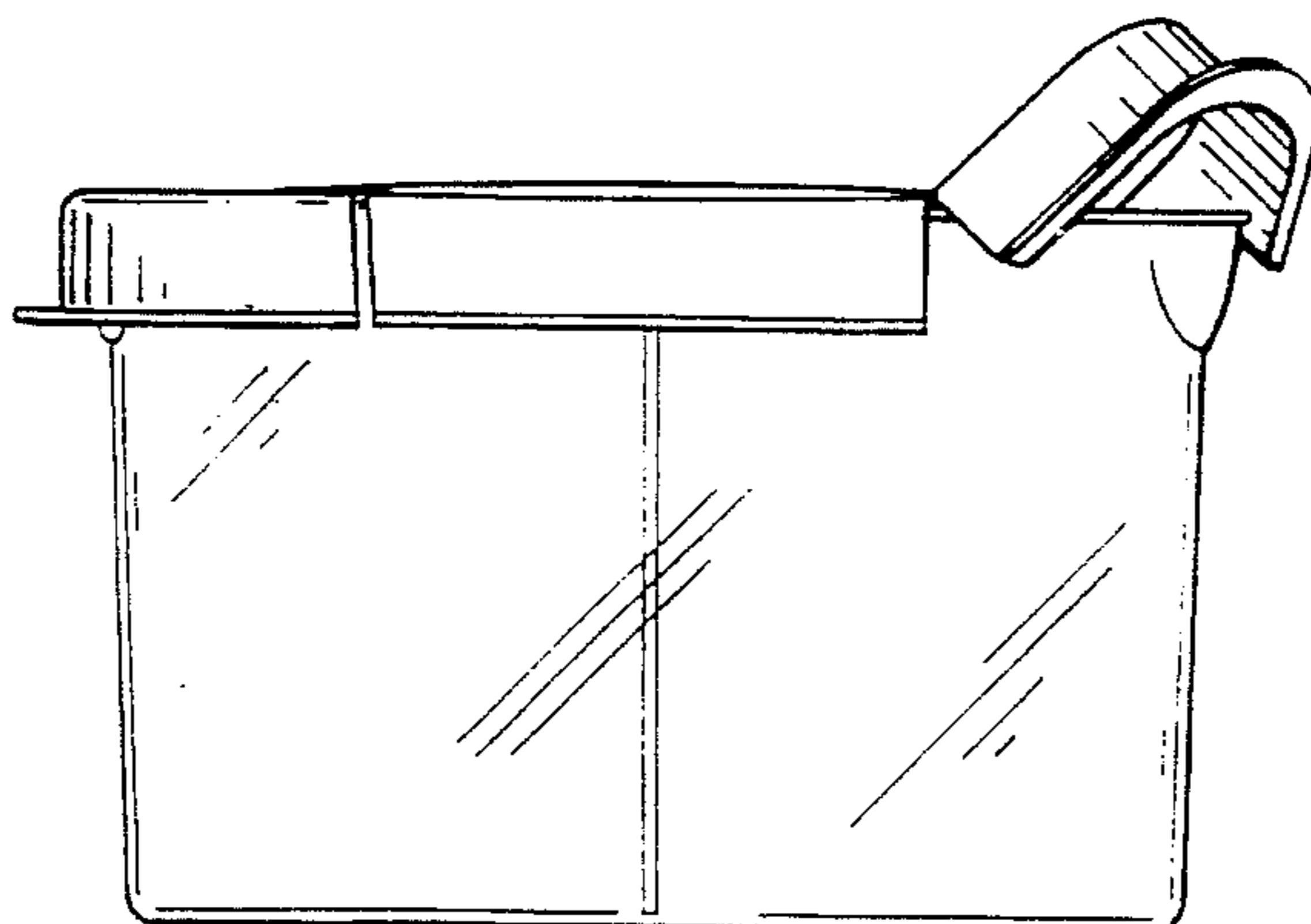
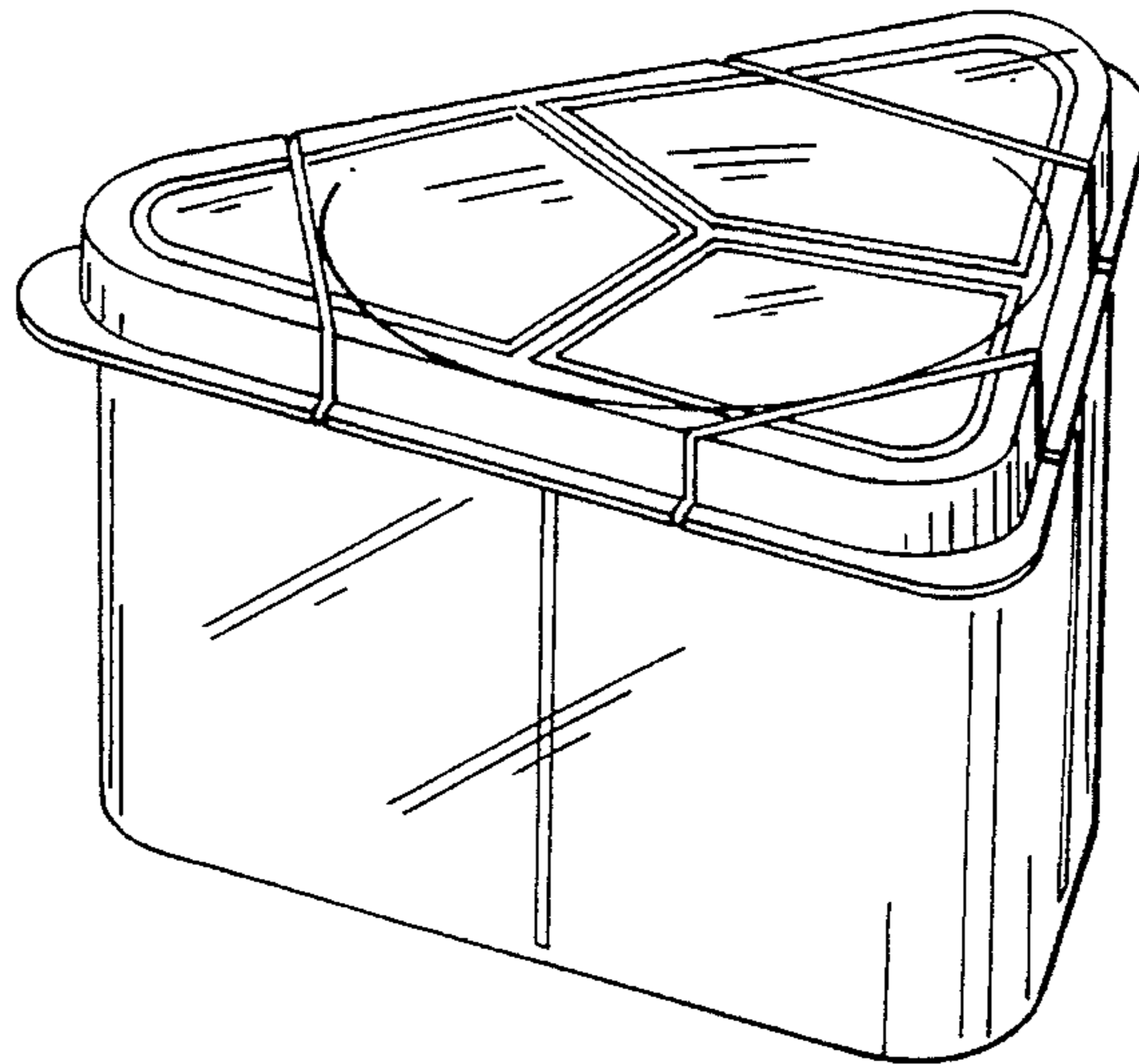
[57] CLAIM

The ornamental design for a baby formula case, as shown and described.

DESCRIPTION

FIG. 1 is a perspective view of a baby formula case showing my new design;
 FIG. 2 is a side elevation view taken along one elongated side thereof, the other sides being identical thereto;
 FIG. 3 is a side elevation view taken along the side thereof at one apex of the triangular sides, each other side at its apex being identical thereto;
 FIG. 4 is a top plan view thereof;
 FIG. 5 is a bottom plan view thereof; and,
 FIG. 6 is a side elevation view similar to FIG. 2 with one section of the cover at one end raised to show the receptacle portion there below, the configuration of the receptacle portion at each other end of the sides being identical thereto.

1 Claim, 2 Drawing Sheets



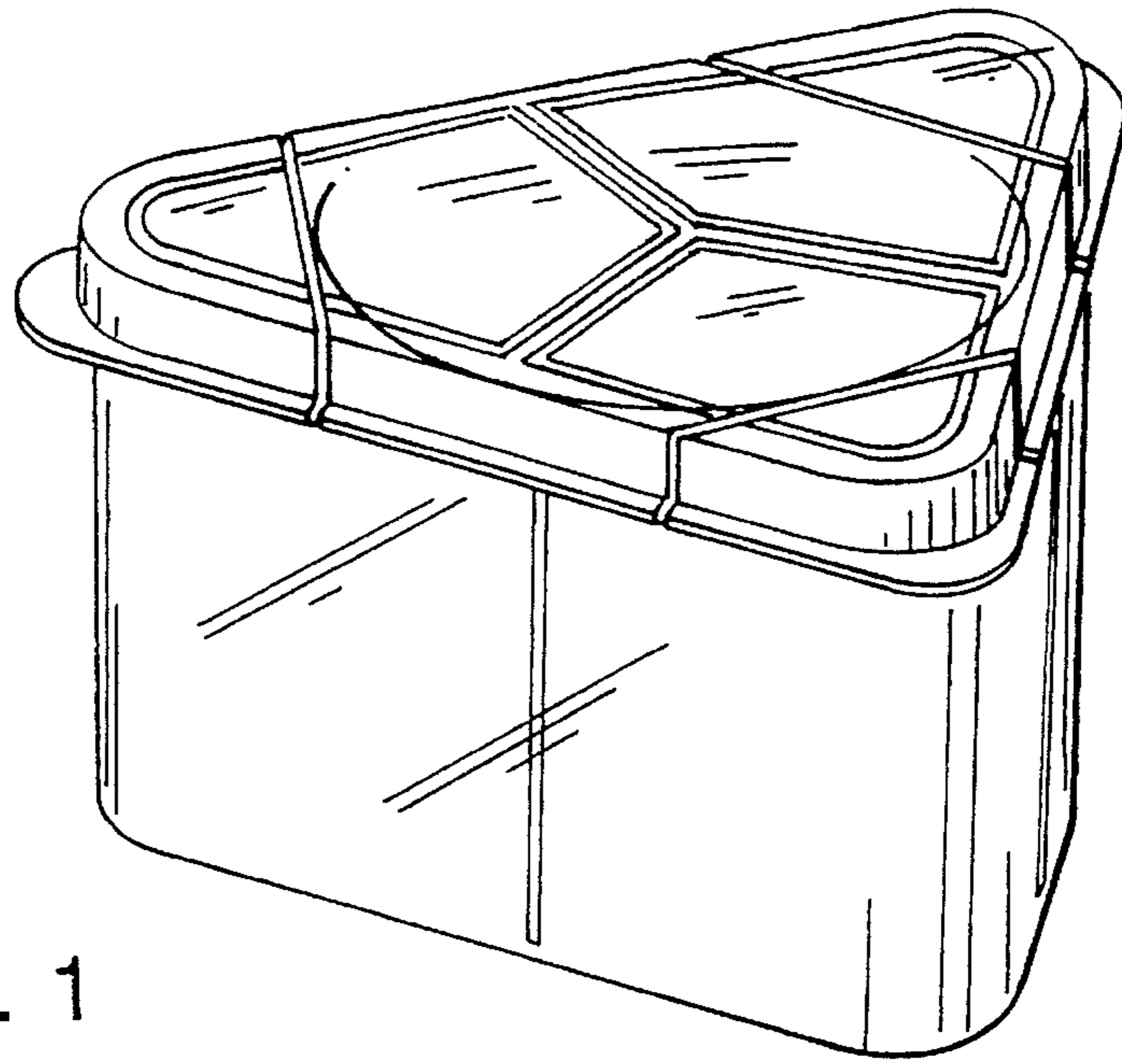


FIG. 1

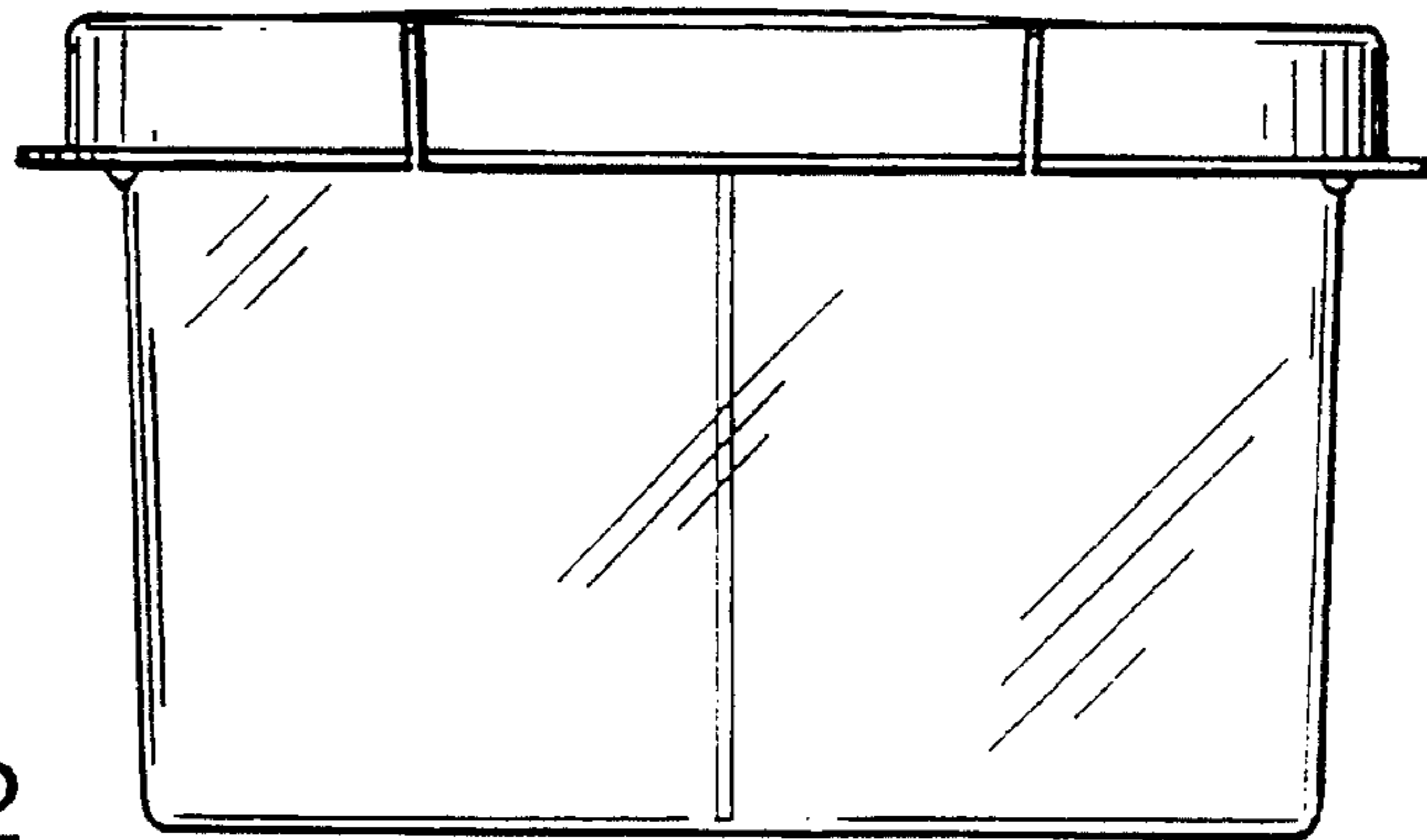


FIG. 2

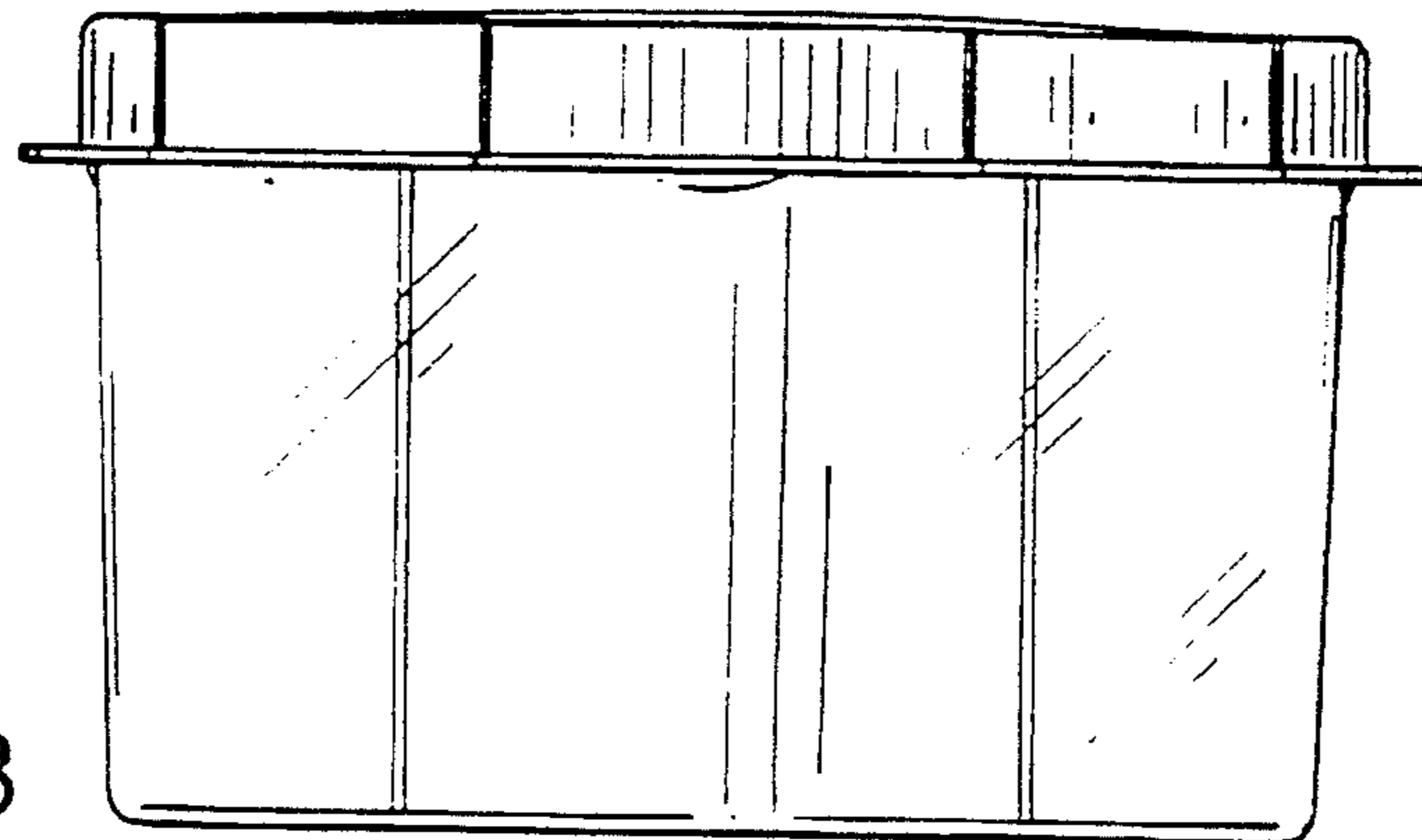


FIG. 3

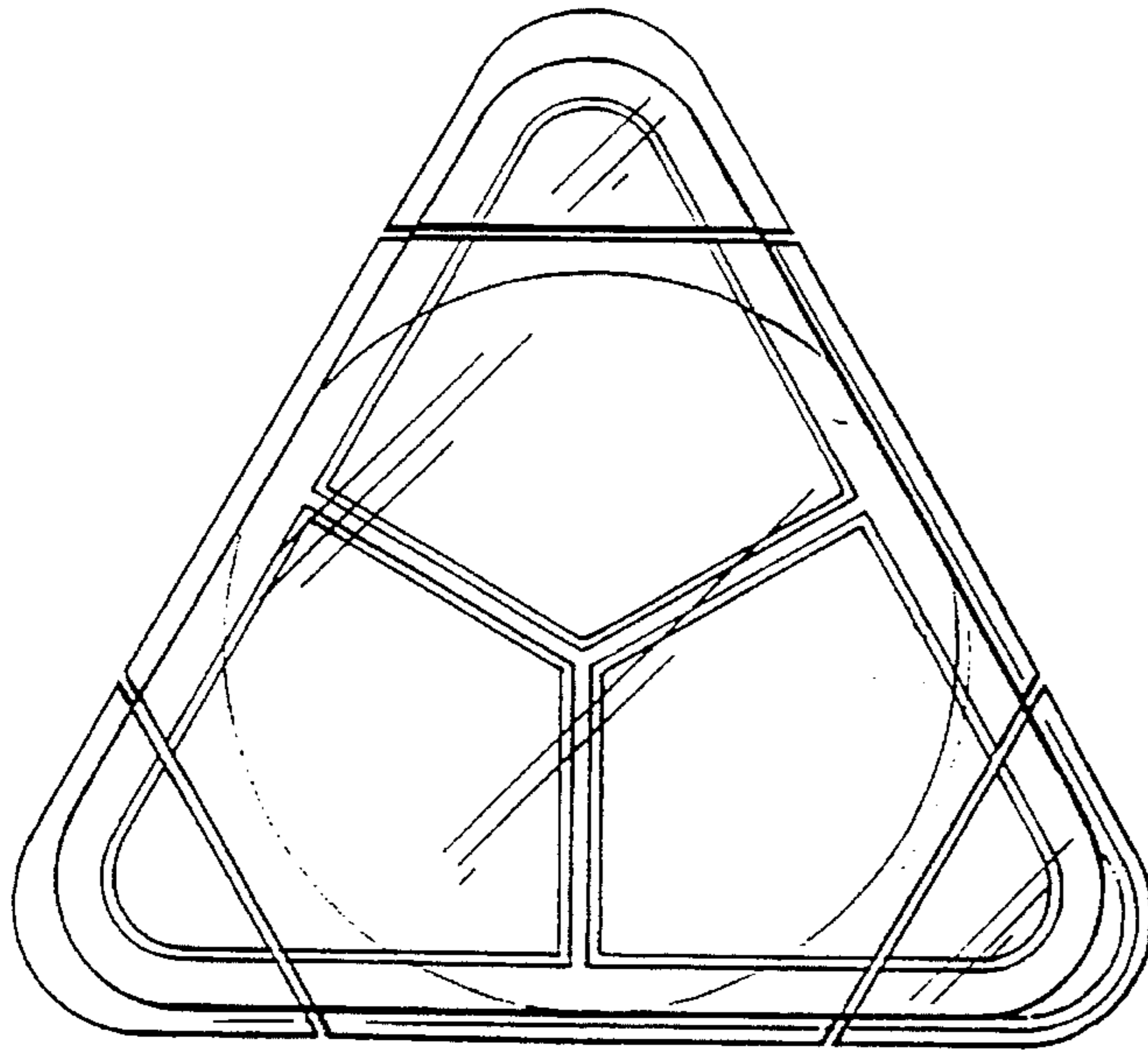


FIG. 4

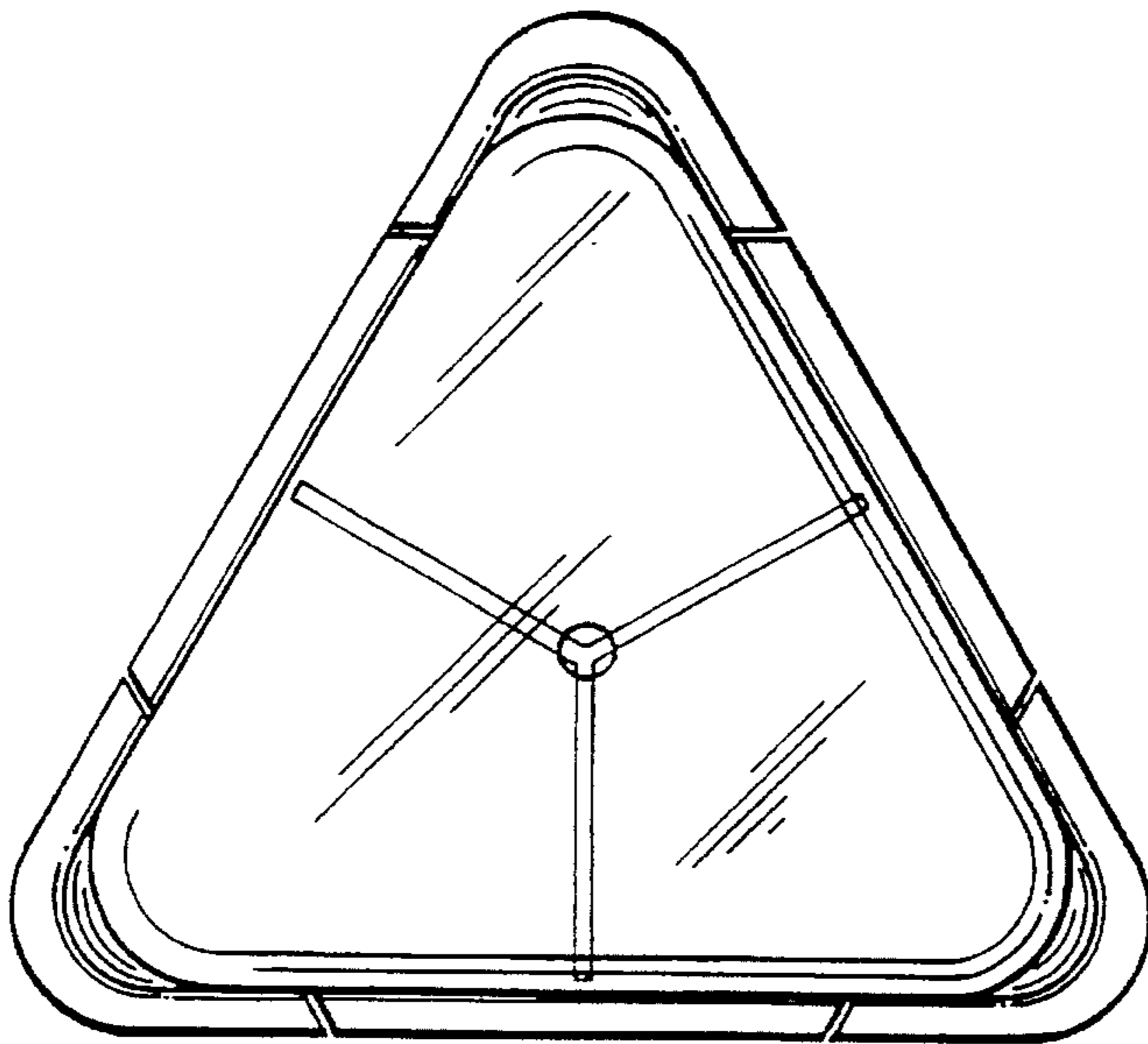


FIG. 5

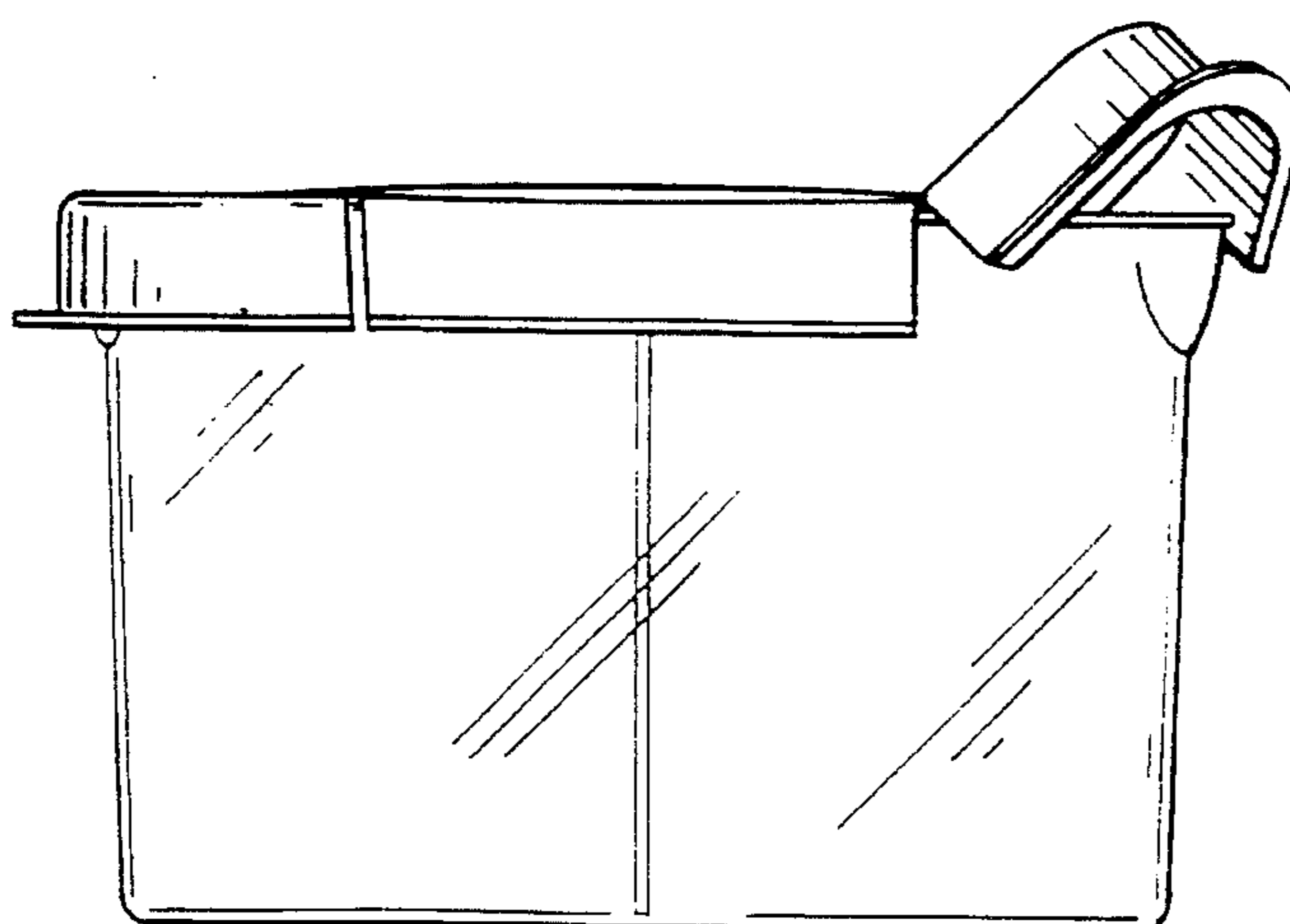


FIG. 6